



US00D906968S

(12) **United States Design Patent**
Azuma

(10) **Patent No.:** **US D906,968 S**
(45) **Date of Patent:** **** Jan. 5, 2021**

(54) **MOTOR FOR ELECTRIC POWER UNIT**

D752,201 S * 3/2016 Herbst D23/411
D842,246 S * 3/2019 Gan D13/112
D881,951 S * 4/2020 Chan D15/72

(71) Applicant: **HONDA MOTOR CO., LTD.**, Tokyo
(JP)

(Continued)

(72) Inventor: **Koichi Azuma**, Wako (JP)

OTHER PUBLICATIONS

(73) Assignee: **HONDA MOTOR CO., LTD.**, Tokyo
(JP)

“Honda Electric Power Unit”. Found online Sep. 10, 2020 at
getindustry.com.au. Reference dated Apr. 18, 2019. Retrieved from
<http://getindustry.com.au/2019/04/18/honda-unveil-electric-power-unit-prototype-egx/>. (Year: 2019).*

(**) Term: **15 Years**

(Continued)

(21) Appl. No.: **29/702,853**

Primary Examiner — Kendra Leslie Hamilton

(22) Filed: **Aug. 22, 2019**

Assistant Examiner — Amanda Christensen

(30) **Foreign Application Priority Data**

(74) *Attorney, Agent, or Firm* — Westerman, Hattori,
Daniels & Adrian, LLP

Feb. 27, 2019 (JP) 2019-003970

(51) **LOC (13) Cl.** **13-02**

(57) **CLAIM**

The ornamental design for a motor for electric power unit,
as shown and described.

(52) **U.S. Cl.**

DESCRIPTION

USPC **D13/122**; D23/412

(58) **Field of Classification Search**

USPC D13/103, 107, 108, 110, 112, 113, 114,
D13/117, 118, 119, 122, 156, 184, 199;
D15/1, 5; D23/370, 411, 412

CPC H02K 11/00; H02K 15/028; F16D 3/84
See application file for complete search history.

(56) **References Cited**

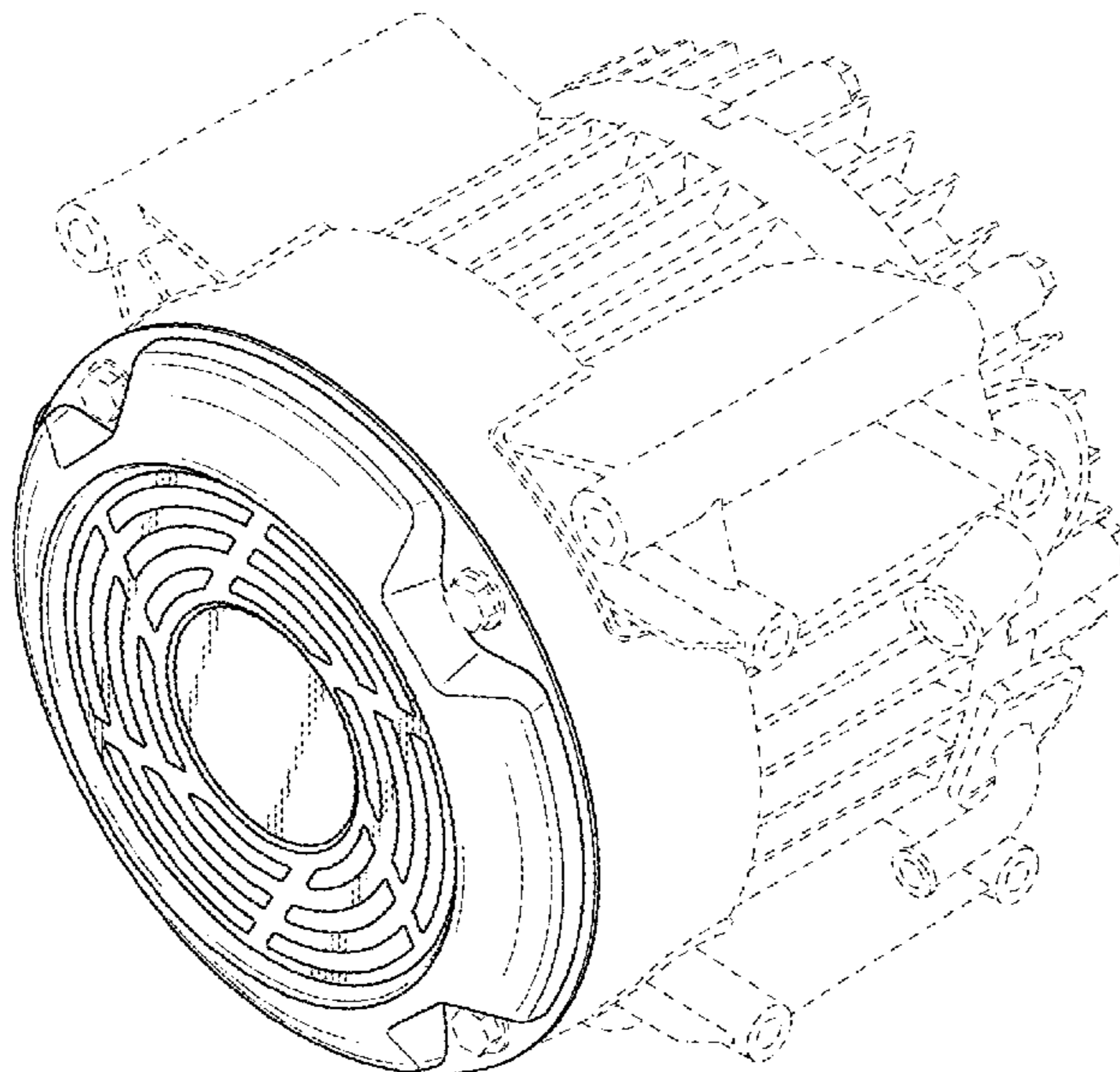
U.S. PATENT DOCUMENTS

D173,547 S * 11/1954 Sundberg D13/112
D268,022 S * 2/1983 Lenz D13/122
D306,009 S * 2/1990 Mintz D13/112
5,767,596 A * 6/1998 Stark H02K 5/00
29/596
D587,650 S * 3/2009 Lannoch D13/112
D588,537 S * 3/2009 Allen D13/122
D615,557 S * 5/2010 Mayer D15/5
D723,154 S * 2/2015 Cheng D23/412

FIG. 1 is a top, front, right side perspective view of a motor
for electric power unit, showing my new design;
FIG. 2 is a top, front, left side perspective view thereof;
FIG. 3 is a top, rear, right side perspective view thereof;
FIG. 4 is a top, rear, left side perspective view thereof;
FIG. 5 is a front elevation view thereof;
FIG. 6 is a rear elevation view thereof;
FIG. 7 is a right side elevation view thereof;
FIG. 8 is a left side elevation view thereof;
FIG. 9 is a top plan view thereof;
FIG. 10 is a bottom plan view thereof; and,
FIG. 11 is a top, front, right side perspective view of the
motor for electric power unit of FIG. 1, shown at a reduced
scale and in a condition of use.

The broken lines in the drawings depict portions of the
motor for electric power unit that form no part of the claimed
design.

1 Claim, 11 Drawing Sheets



(56)

References Cited

U.S. PATENT DOCUMENTS

2019/0386547 A1* 12/2019 Im H02K 11/33
2020/0119599 A1* 4/2020 Tanabe H02K 5/08

OTHER PUBLICATIONS

“Honda Power Unit”. Found online Sep. 14, 2020 at [global.honda.com](https://global.honda.com/newsroom/news/2019/p190329eng.html). Reference dated Mar. 29, 2019. Retrieved from <https://global.honda.com/newsroom/news/2019/p190329eng.html>. (Year: 2019).*

“Honda GSV Series Vertical OHC Engine”. Found online Oct. 1, 2020 at [northerntool.com](https://www.northerntool.com/shop/tools/product_200632766_200632766). Reference dated May 4, 2017. Retrieved from https://www.northerntool.com/shop/tools/product_200632766_200632766. (Year: 2017).*

* cited by examiner

FIG. 1

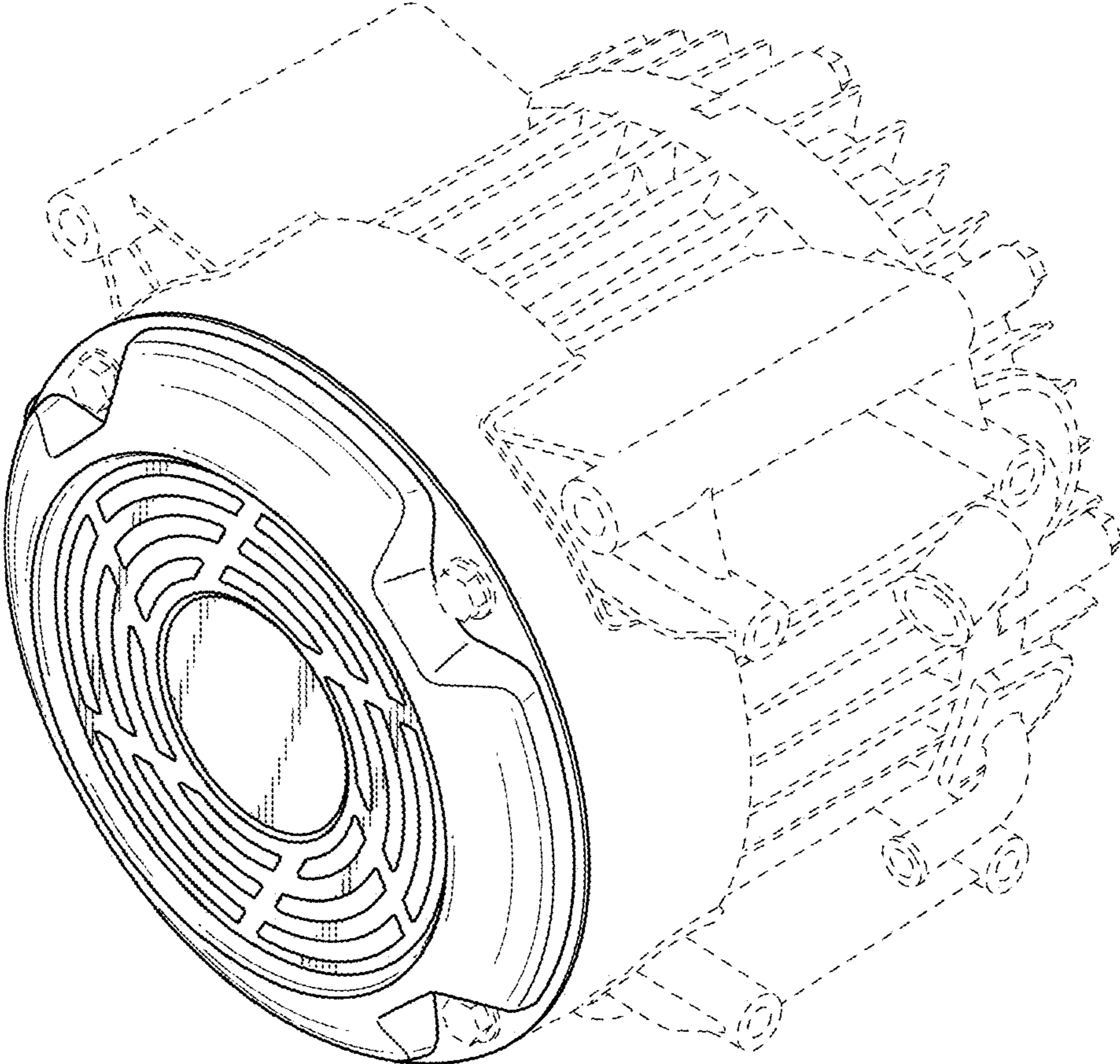


FIG. 2

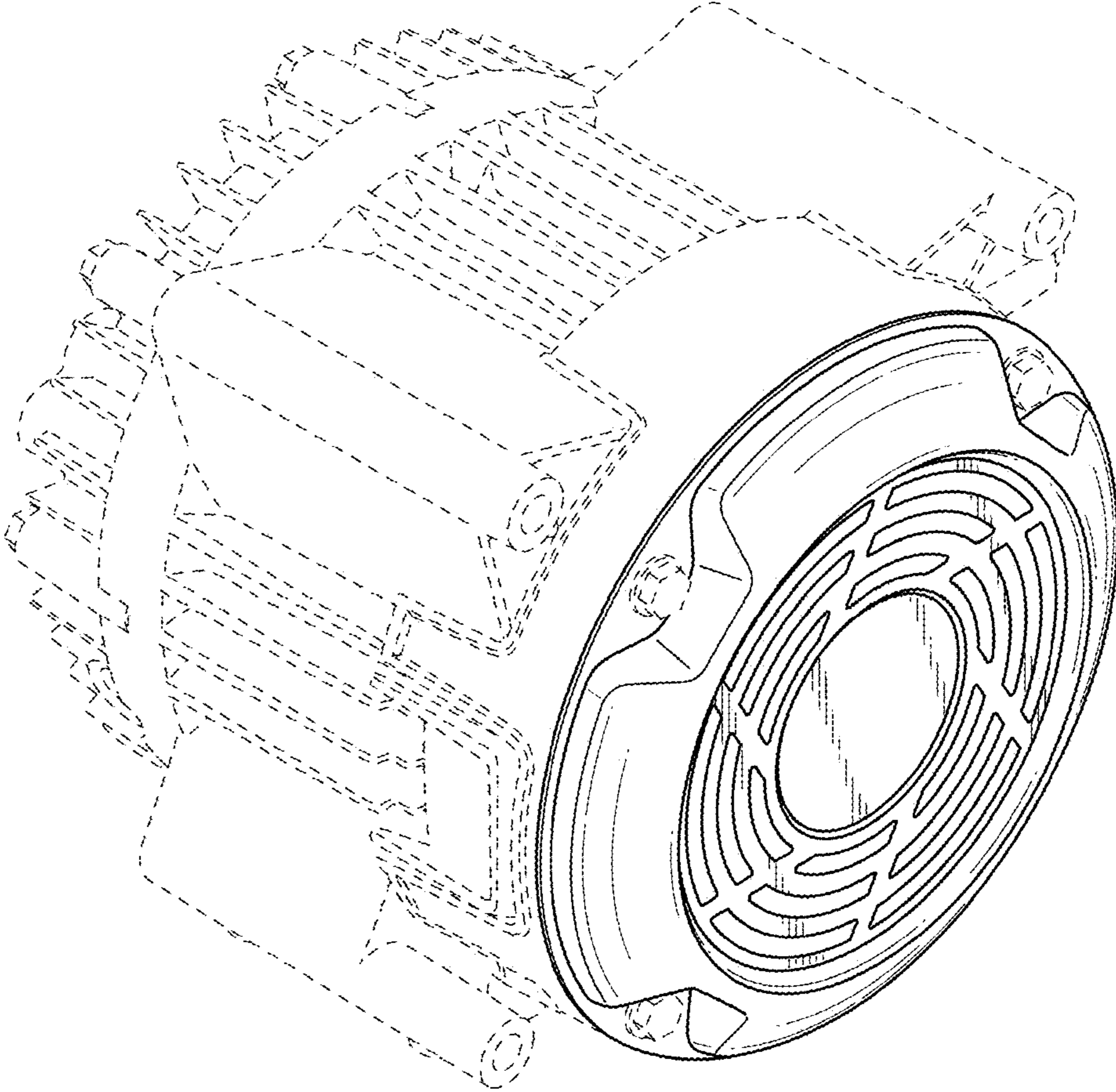


FIG. 3

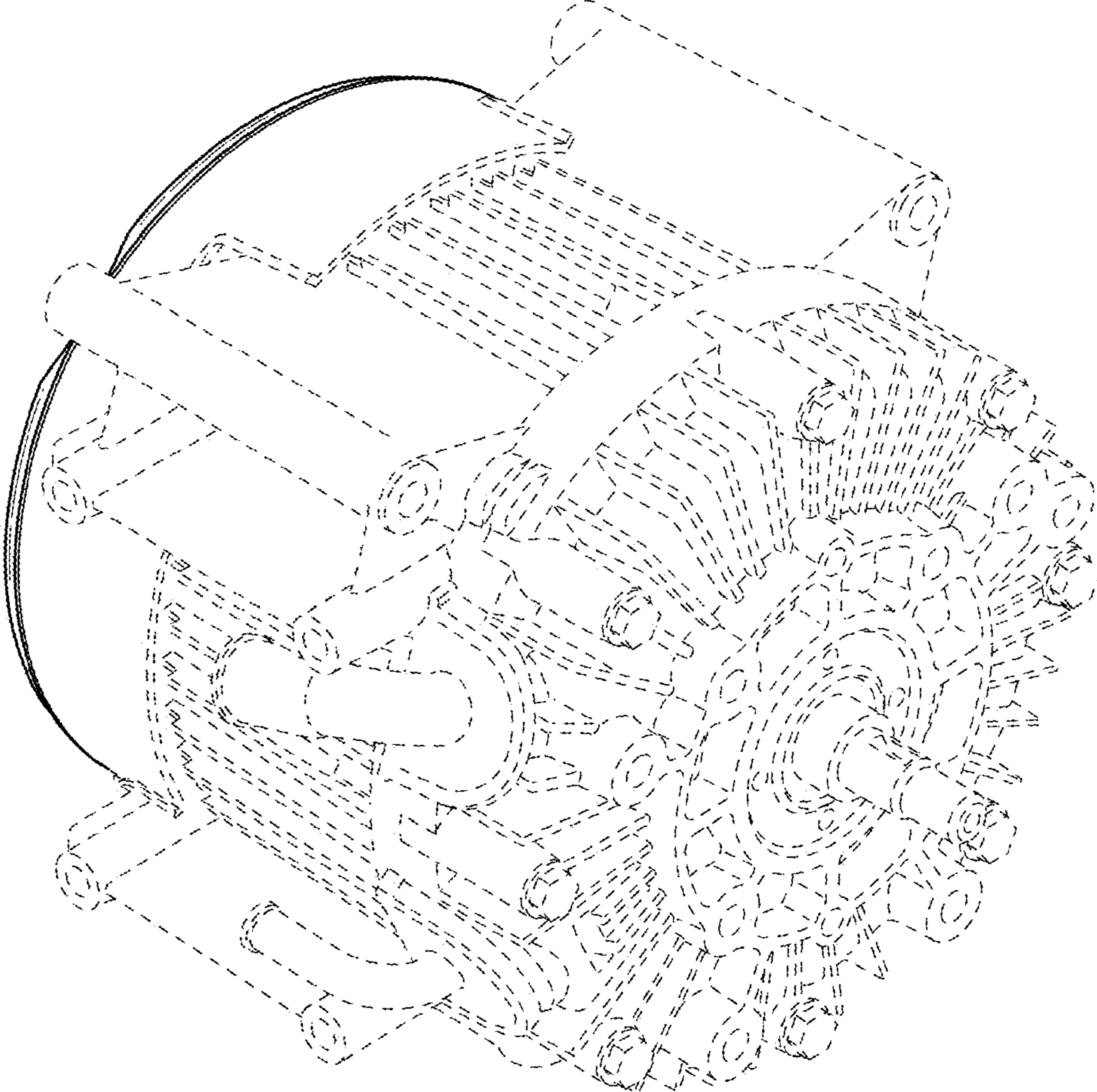


FIG. 4

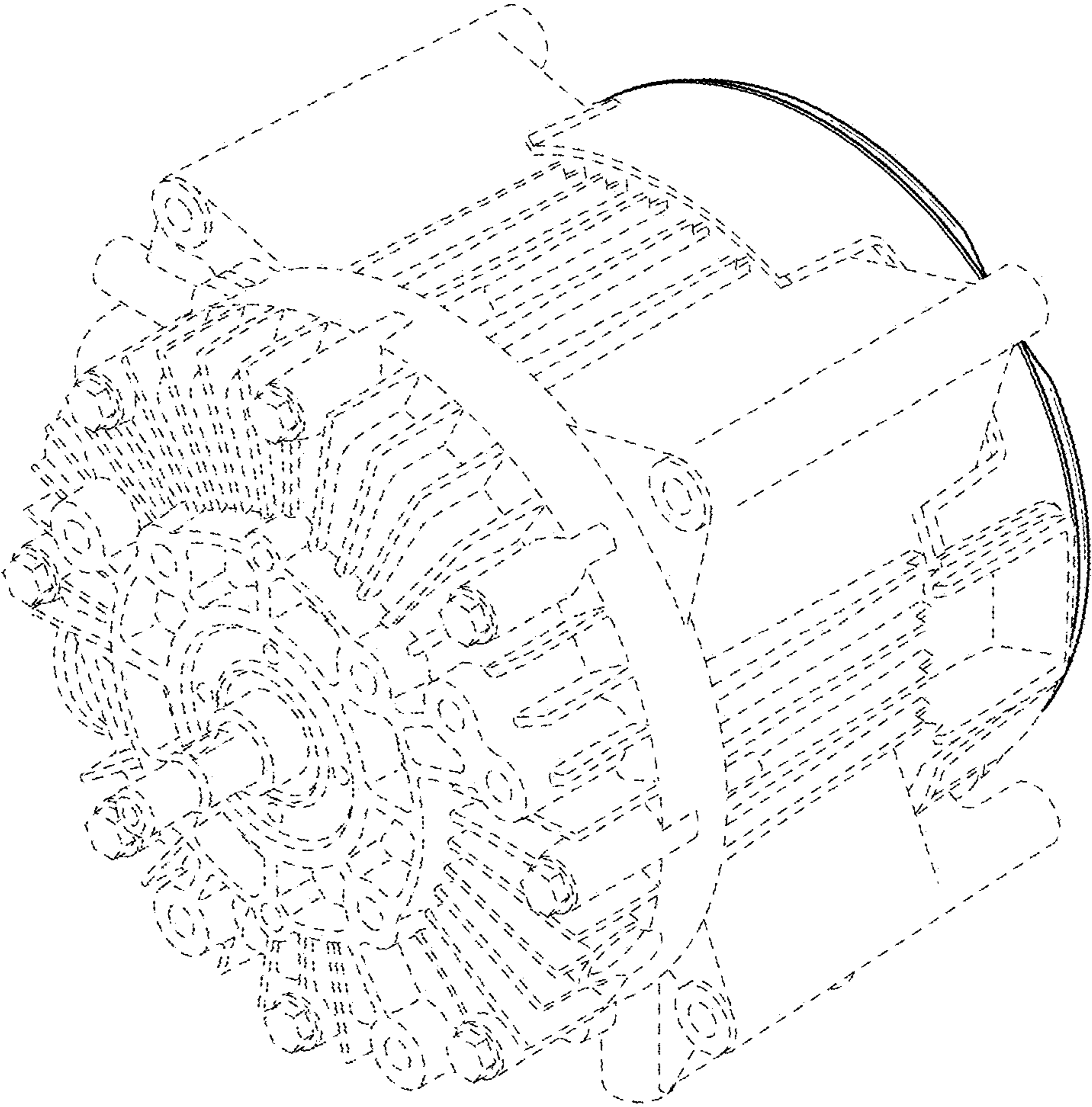


FIG. 5

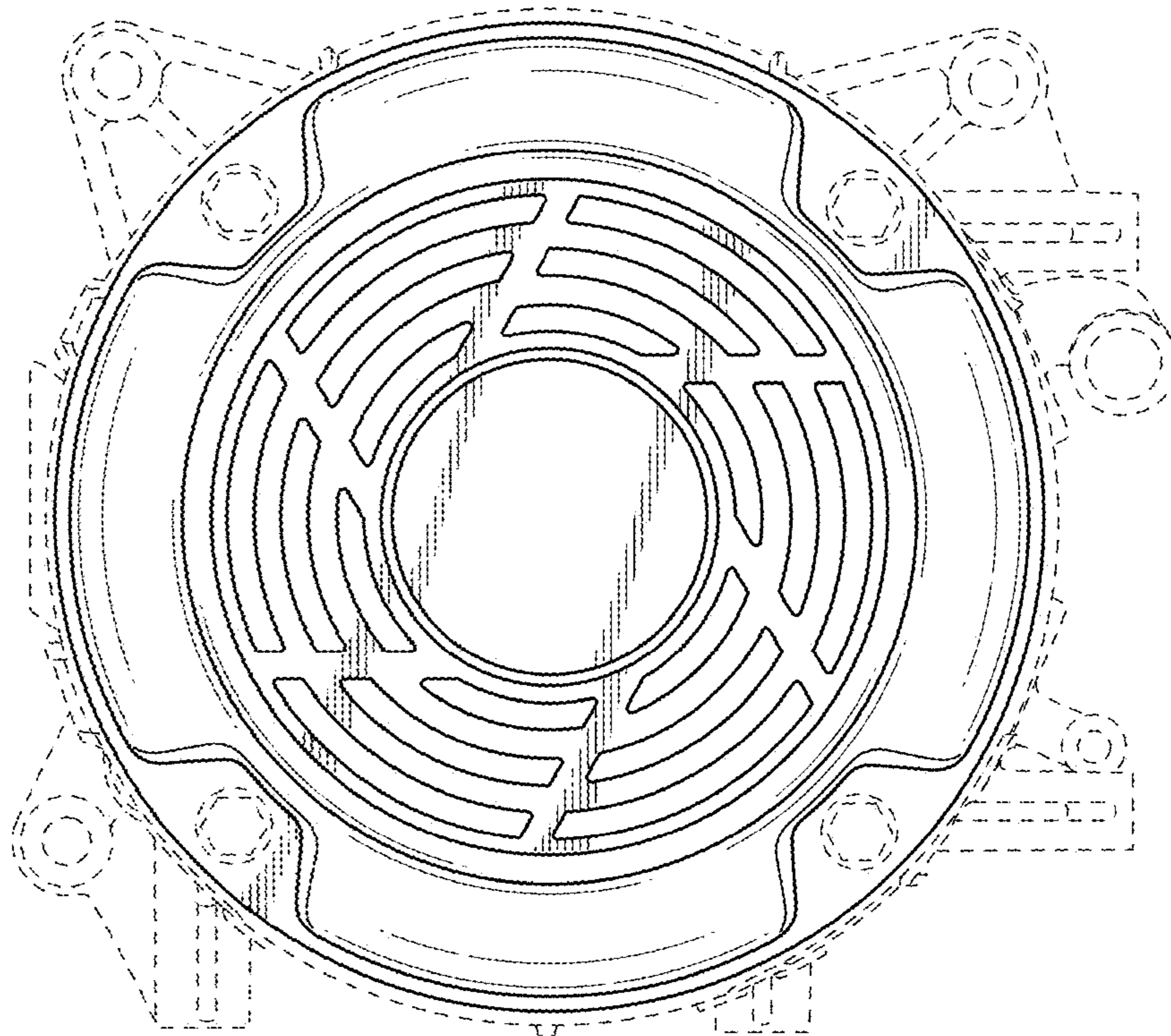


FIG. 6

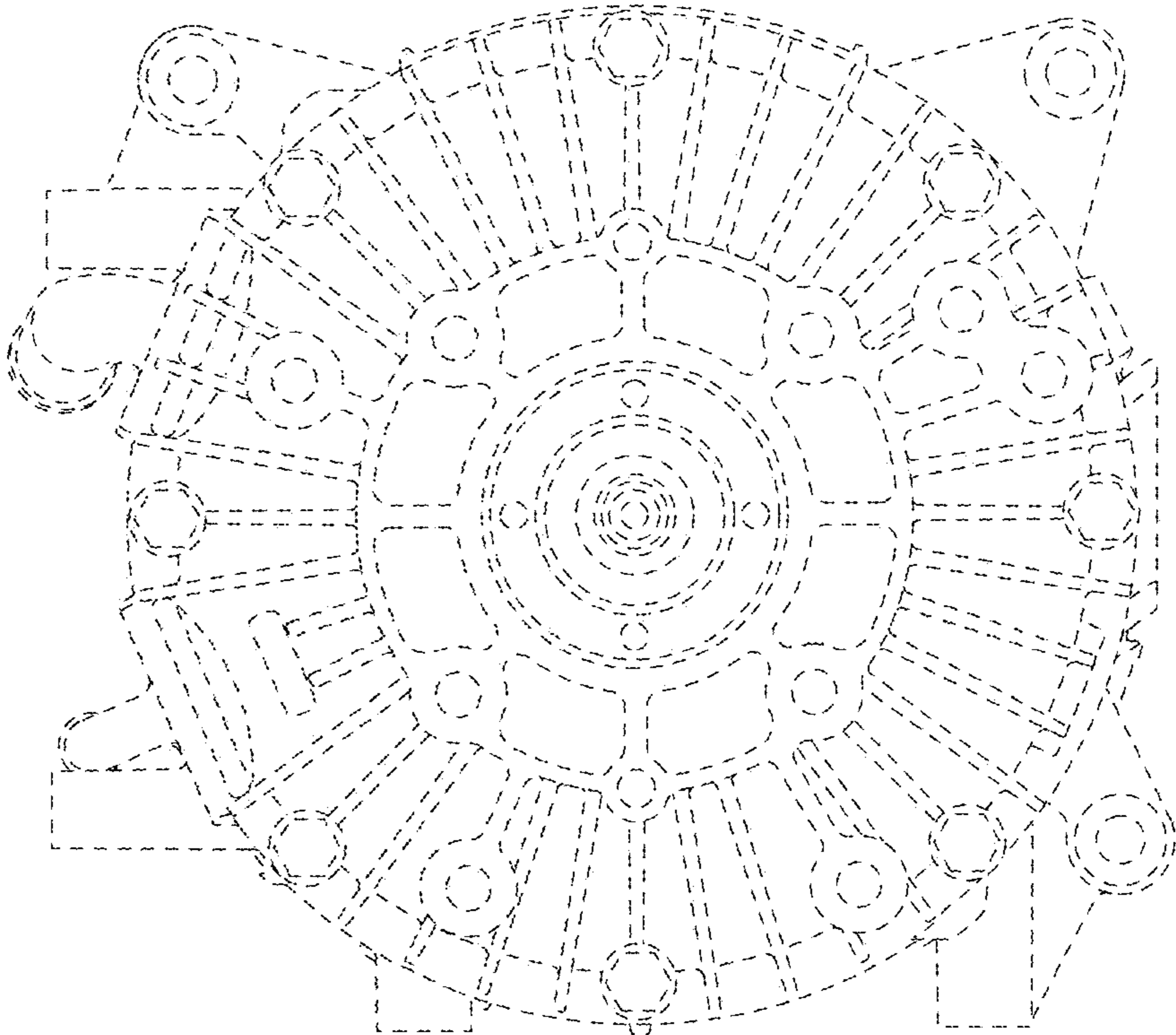


FIG. 7

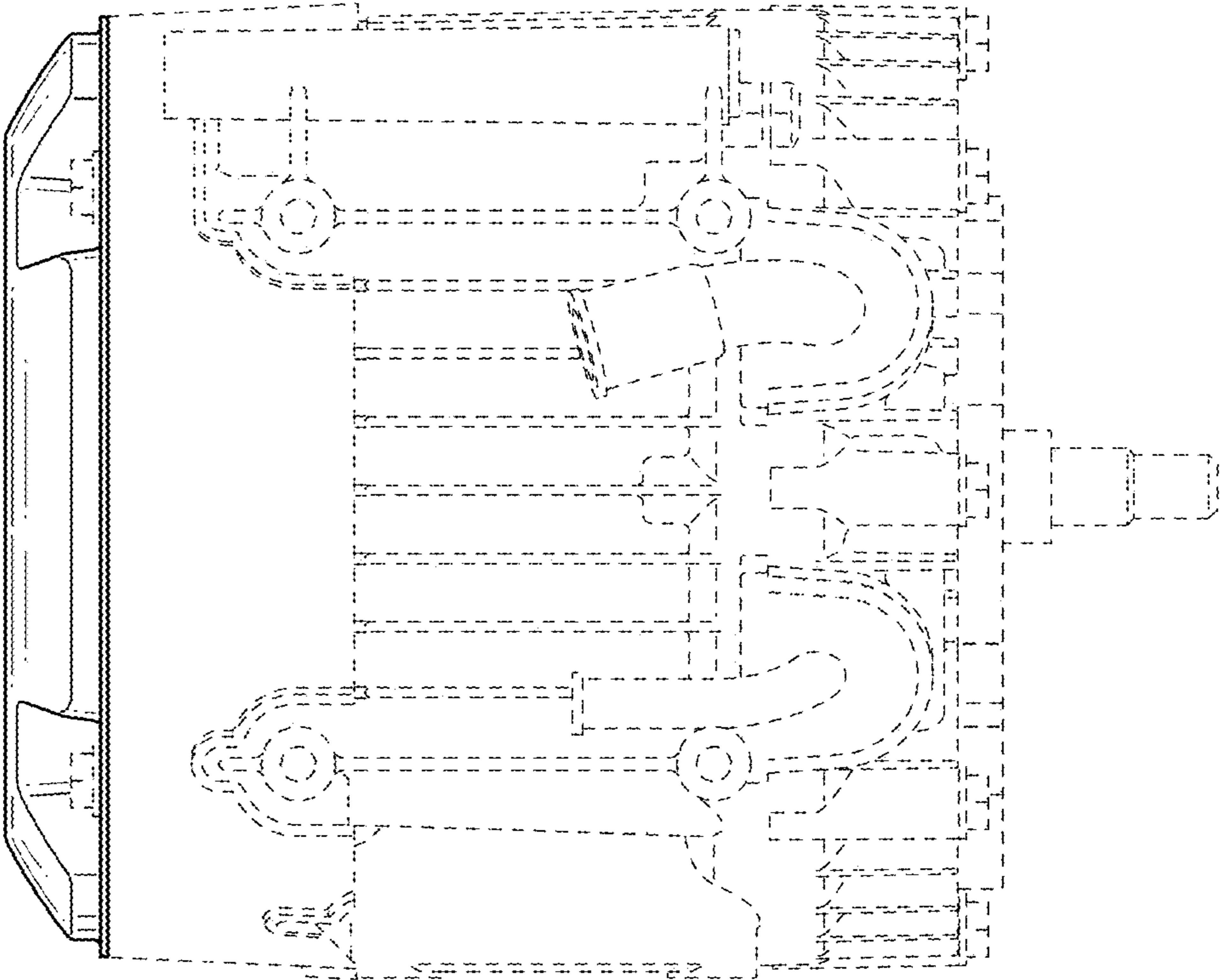


FIG. 8

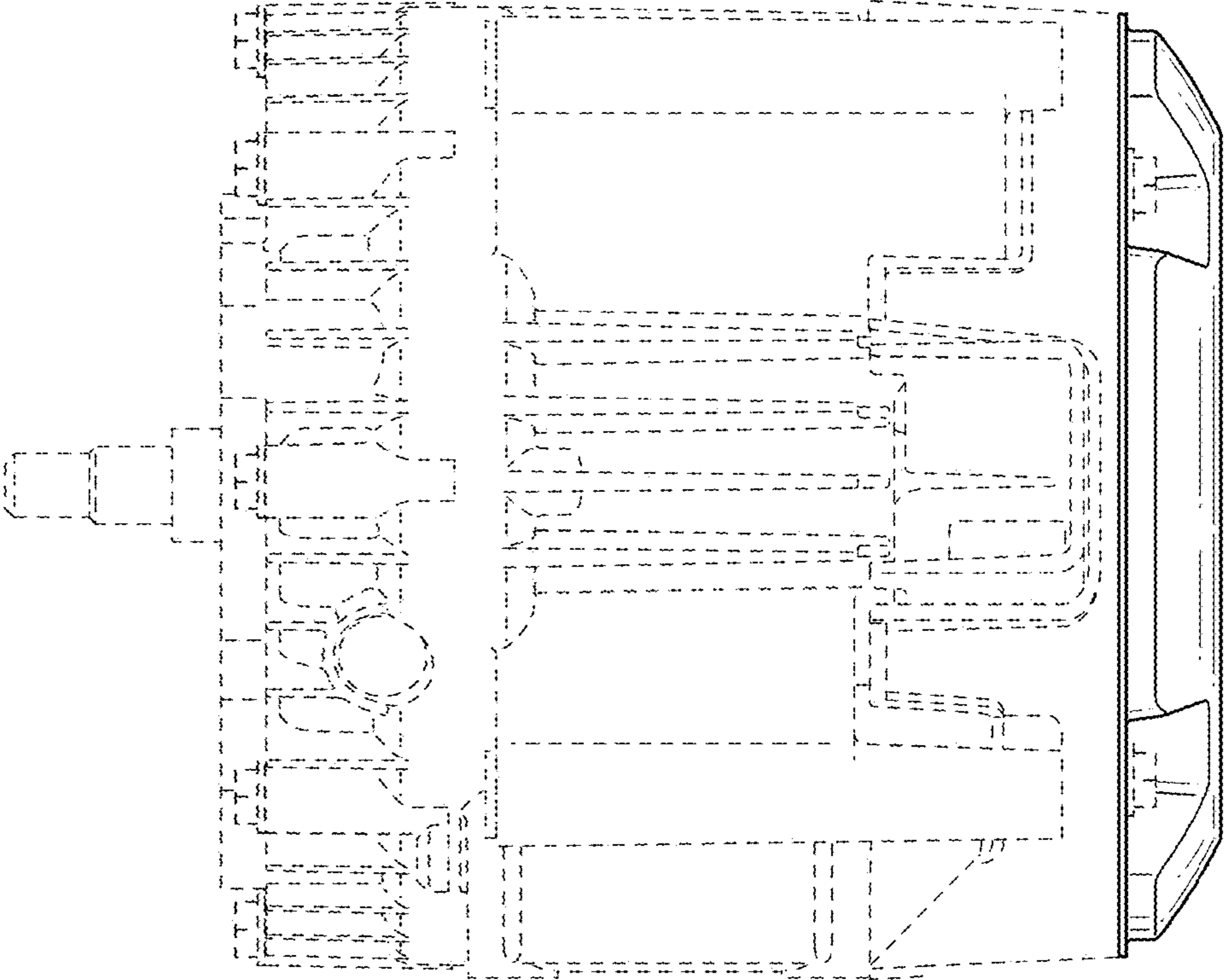


FIG. 9

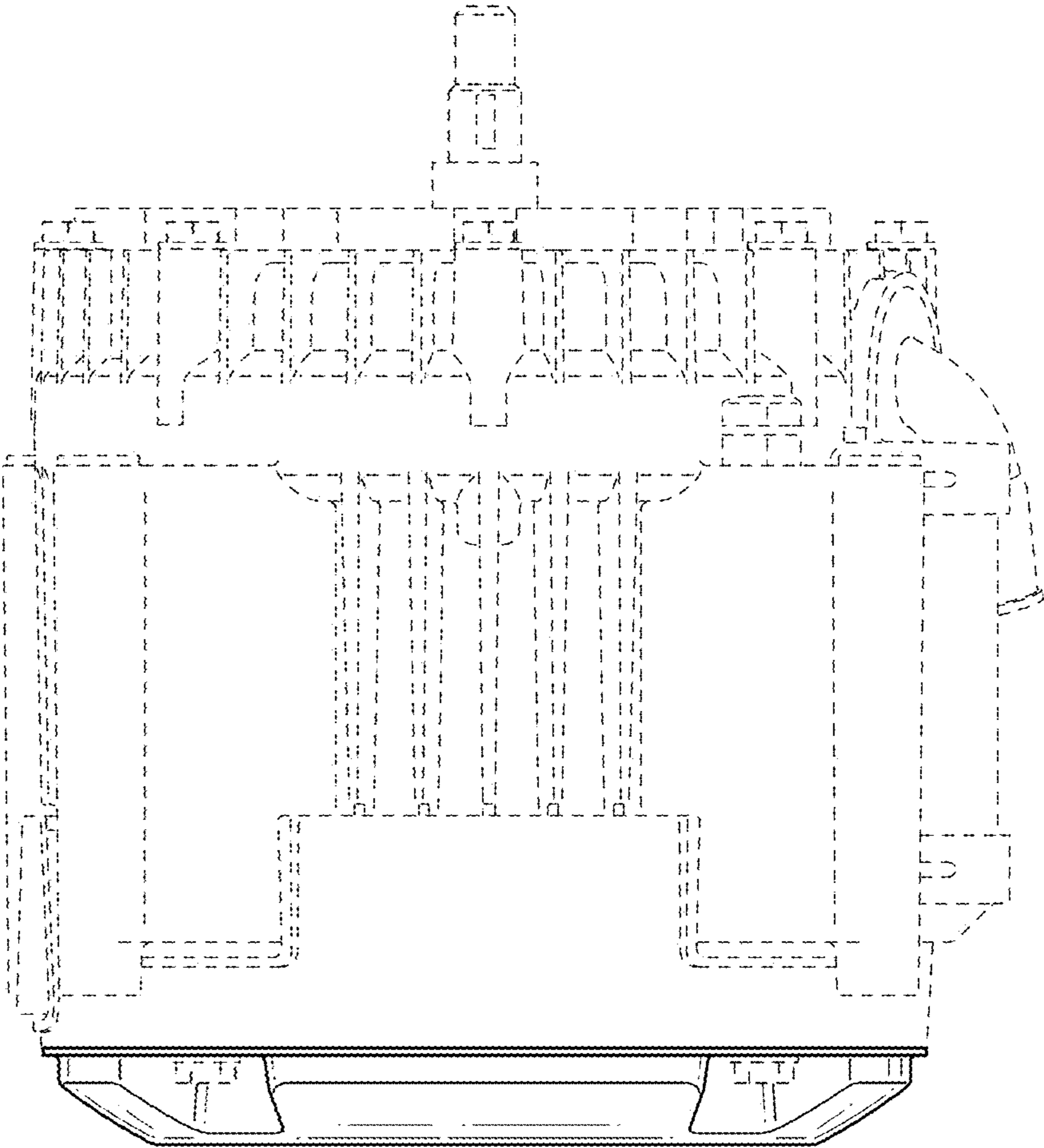


FIG. 10

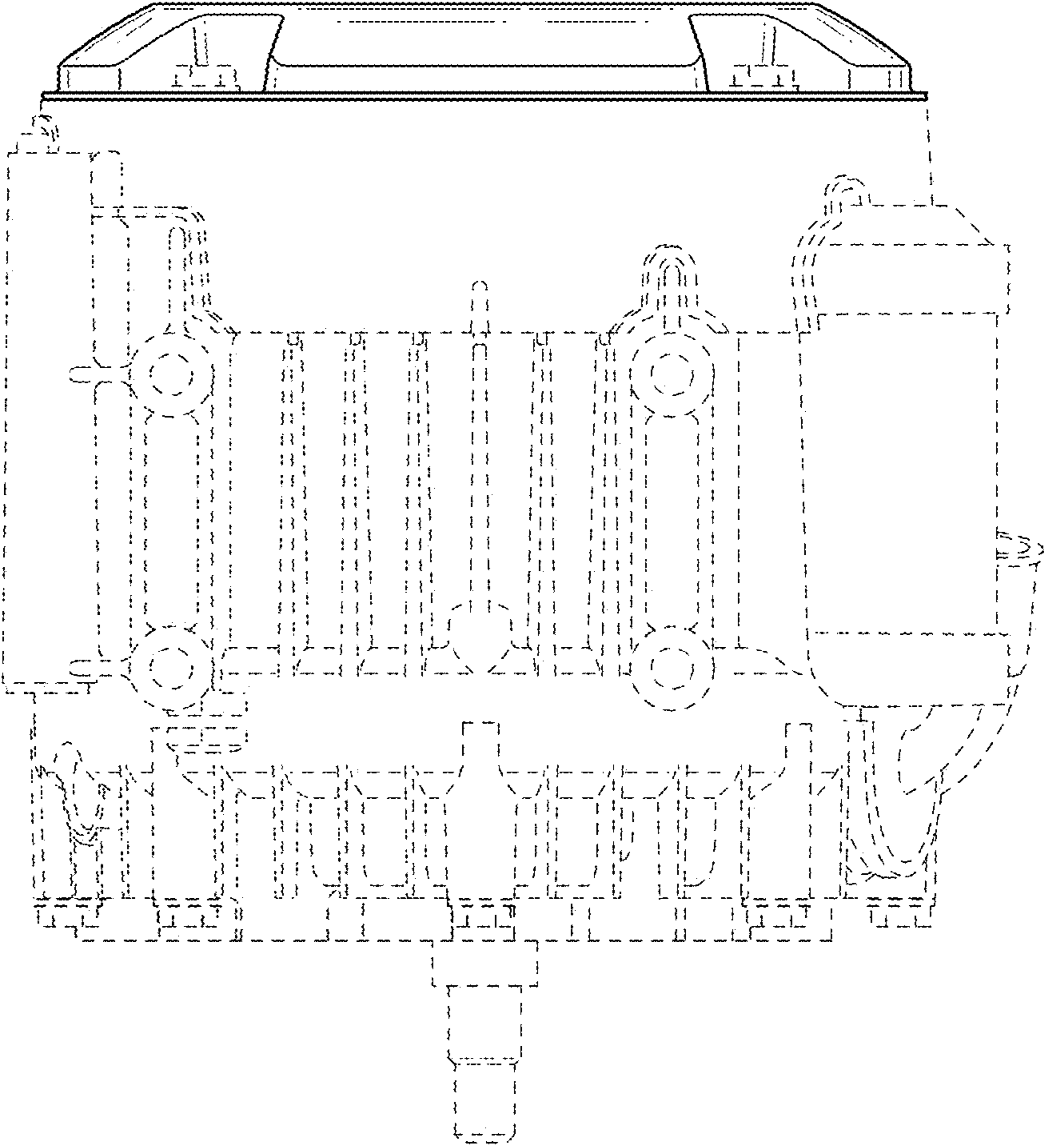


FIG. 11

