



US00D906966S

(12) **United States Design Patent**
Koike et al.

(10) **Patent No.:** **US D906,966 S**

(45) **Date of Patent:** **** Jan. 5, 2021**

(54) **INPUT DEVICE WITH TACTILE FUNCTION**

(71) Applicant: **ALPS ALPINE CO., LTD.**, Tokyo (JP)

(72) Inventors: **Asuka Koike**, Miyagi (JP); **Misuzu Takahashi**, Miyagi (JP); **Kazunari Takahashi**, Miyagi (JP)

(73) Assignee: **ALPS ALPINE CO., LTD.**, Tokyo (JP)

(**) Term: **15 Years**

(21) Appl. No.: **29/644,388**

(22) Filed: **Apr. 17, 2018**

(30) **Foreign Application Priority Data**

Dec. 28, 2017 (JP) 2017-029455

(51) **LOC (13) Cl.** **13-01**

(52) **U.S. Cl.**
USPC **D13/118**

(58) **Field of Classification Search**

USPC D13/101, 110, 112, 113, 114, 118, 122,
D13/162, 166, 169, 199; D14/388, 432,
D14/454, 456; D15/5; D10/81
CPC G03B 27/465; H01H 36/008; G05G 1/10;
G05G 5/03; G06F 3/014

See application file for complete search history.

(56) **References Cited**

U.S. PATENT DOCUMENTS

3,768,714 A * 10/1973 Applequist G03B 27/465
226/37
D433,998 S * 11/2000 Ishitsuka D13/123

D447,489 S * 9/2001 Antony D15/5
D469,094 S * 1/2003 Nakamura D14/402
D479,541 S * 9/2003 Lannoch D15/148
D525,197 S * 7/2006 Tanabe D13/123
D569,286 S * 5/2008 Noda D10/81
D576,561 S * 9/2008 Kaluza D13/162
D585,072 S * 1/2009 DeMaio D14/456

FOREIGN PATENT DOCUMENTS

JP D1095597 10/2000
JP D1285324 9/2006
JP D1379552 1/2010
JP D1576249 4/2017

* cited by examiner

Primary Examiner — Derrick E Holland

(74) *Attorney, Agent, or Firm* — IPUSA, PLLC

(57) **CLAIM**

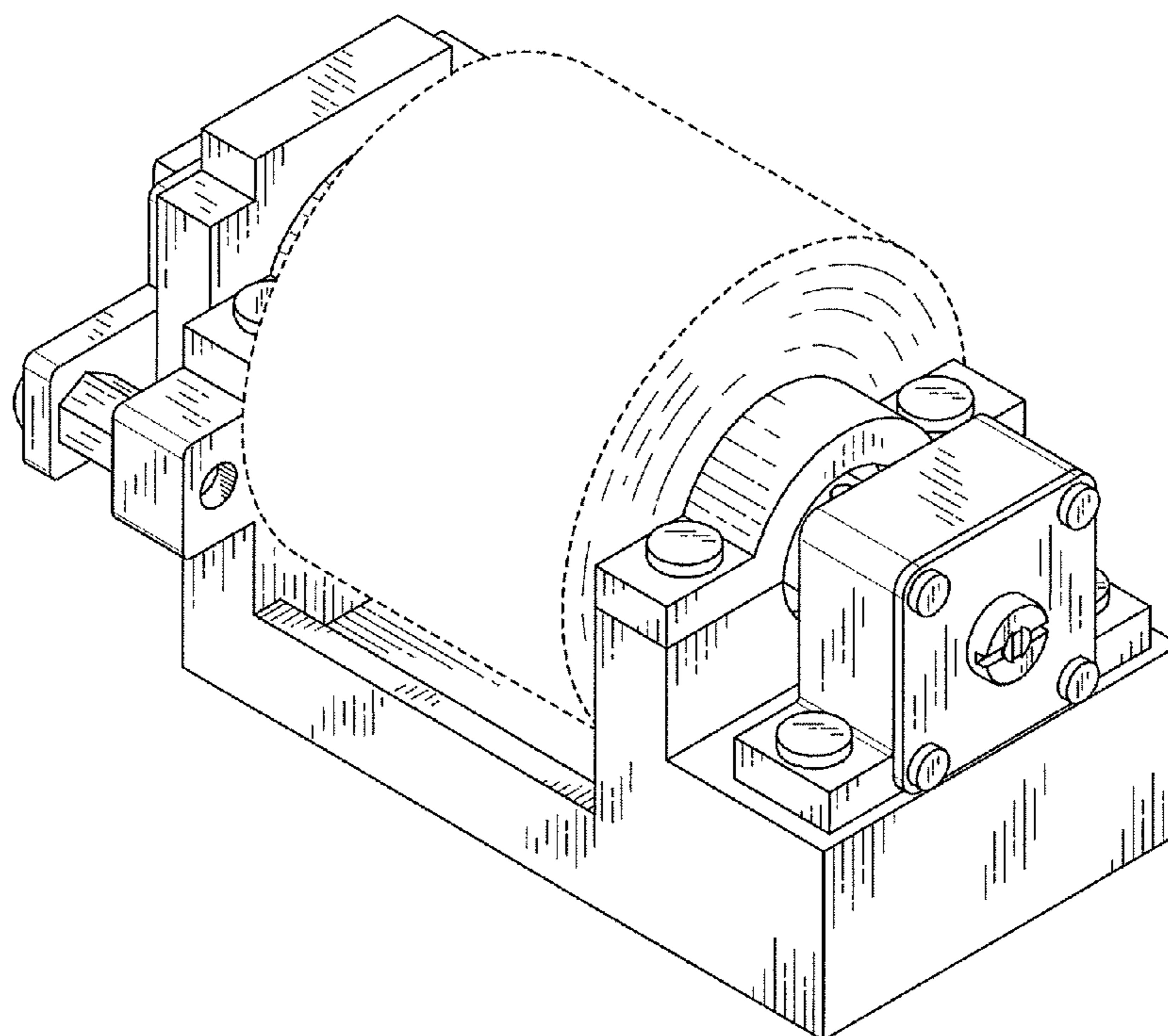
The ornamental design for an input device with tactile function, as shown and described.

DESCRIPTION

FIG. 1 is a perspective view of an input device with tactile function, showing our new design;
FIG. 2 is a front view thereof;
FIG. 3 is a rear view thereof;
FIG. 4 is a top plan view thereof;
FIG. 5 is a bottom plan view thereof;
FIG. 6 is a right side view thereof; and,
FIG. 7 is a left side view thereof.

The broken lines shown in the drawings represent portions of the input device with tactile function that form no part of the claimed design.

1 Claim, 4 Drawing Sheets



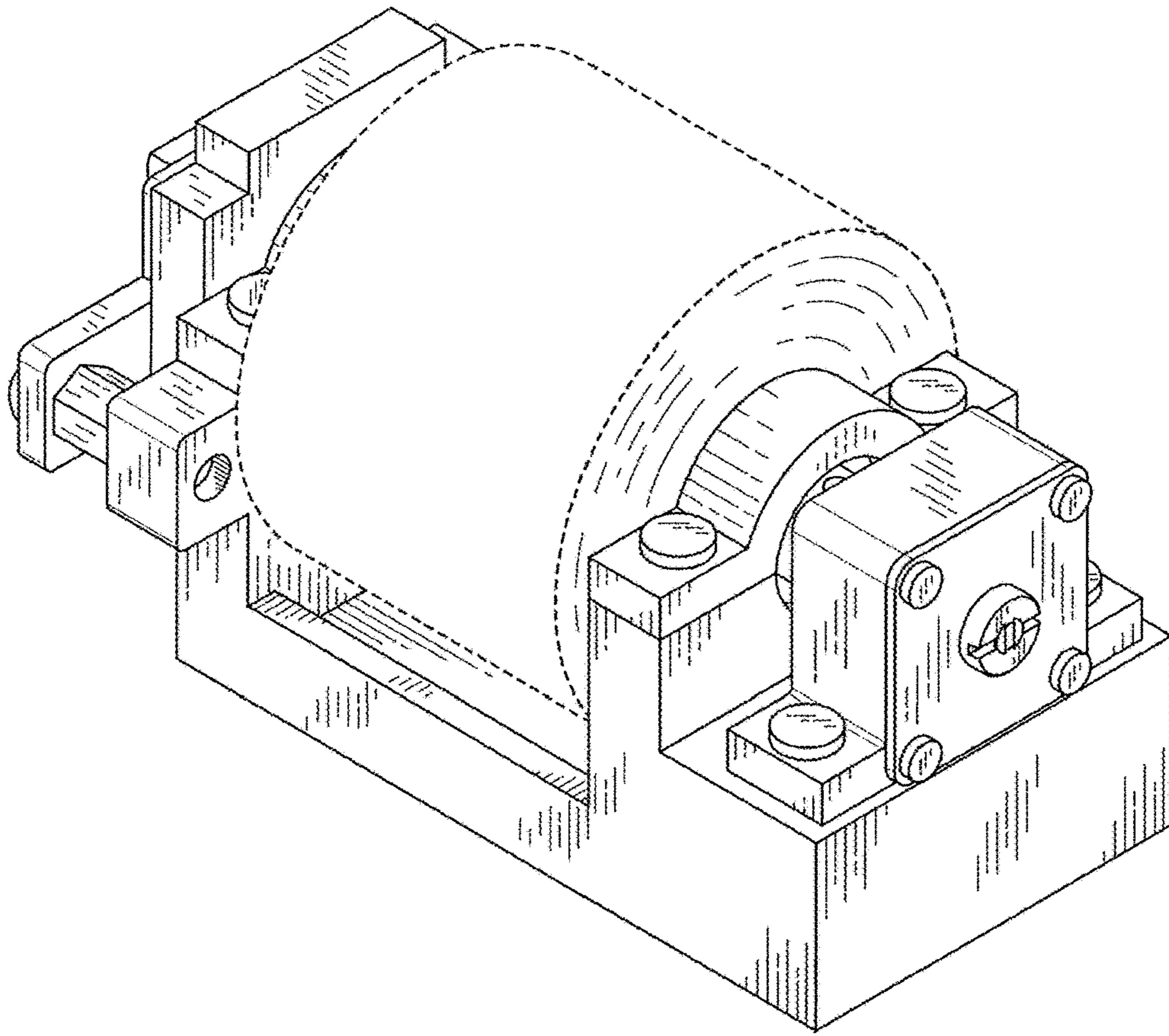


Fig. 1

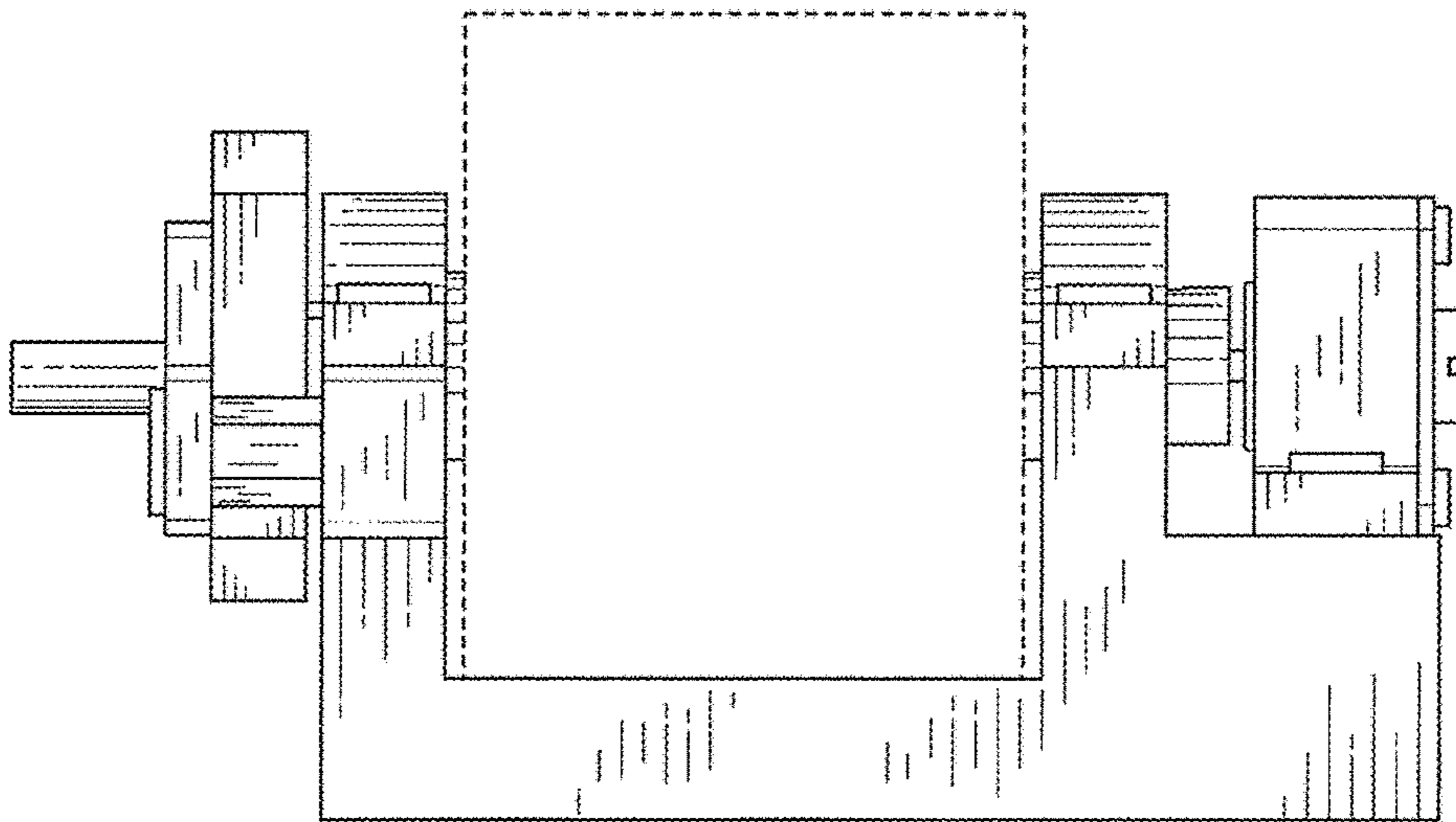


Fig. 2

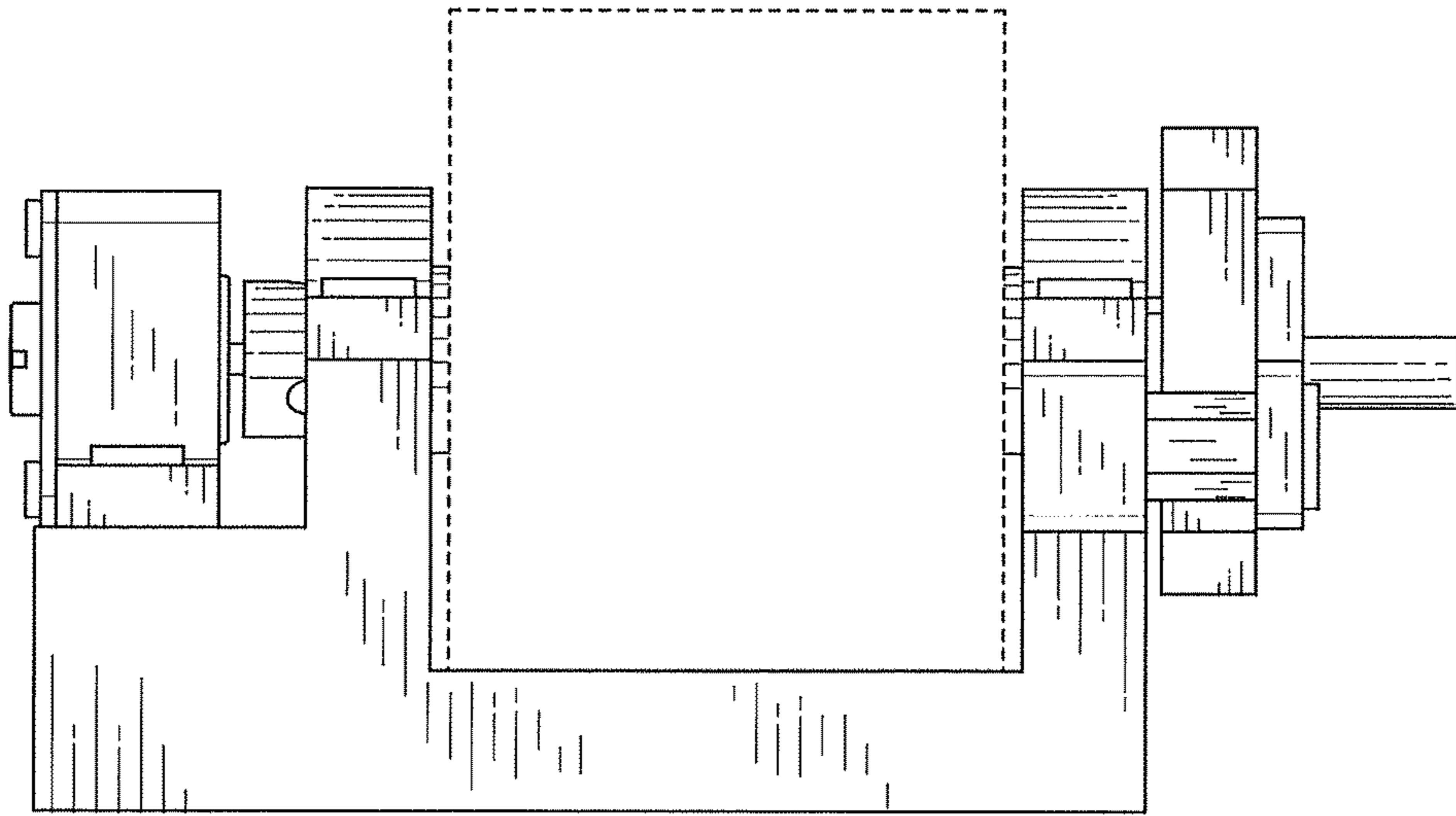


Fig. 3

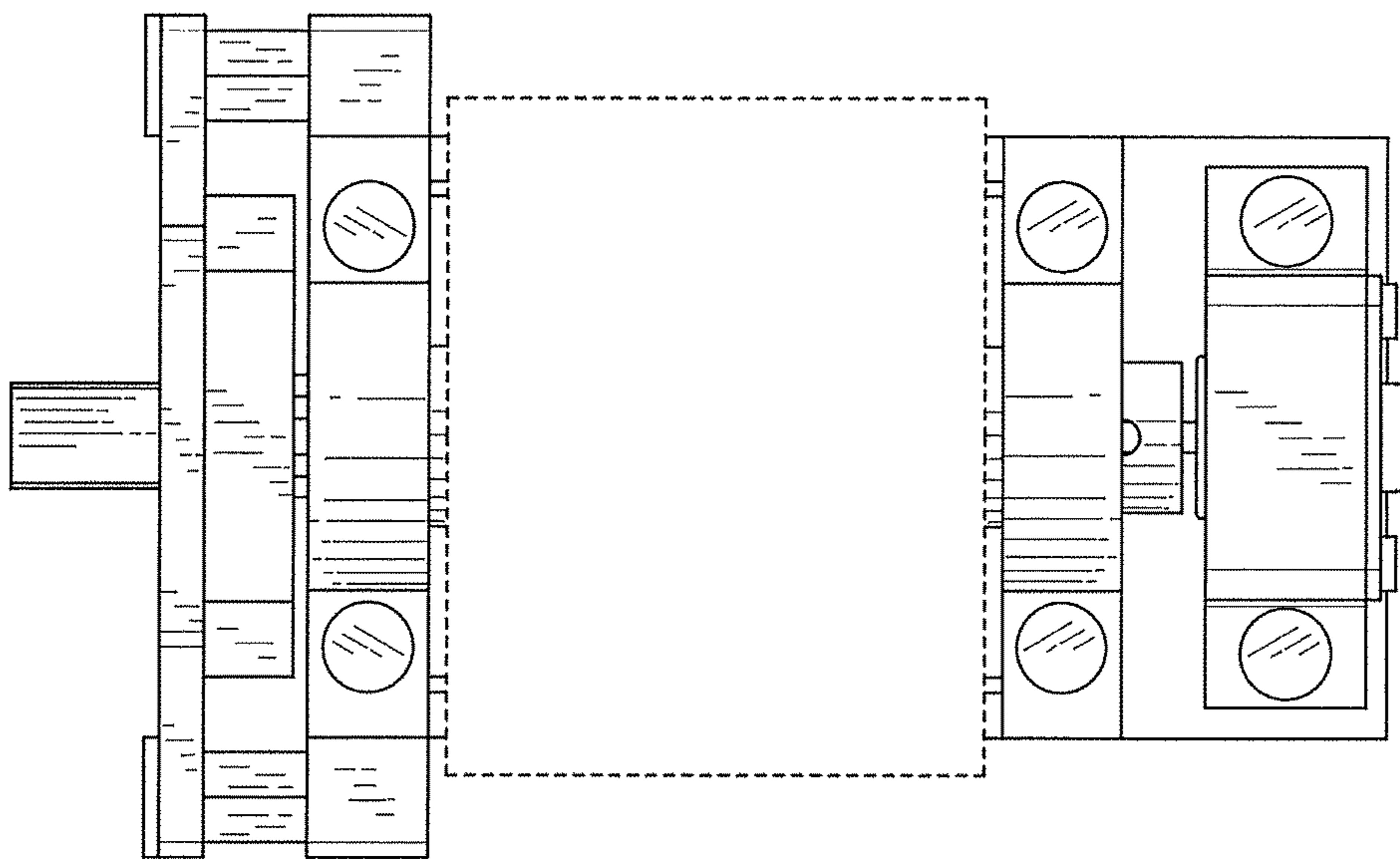


Fig. 4

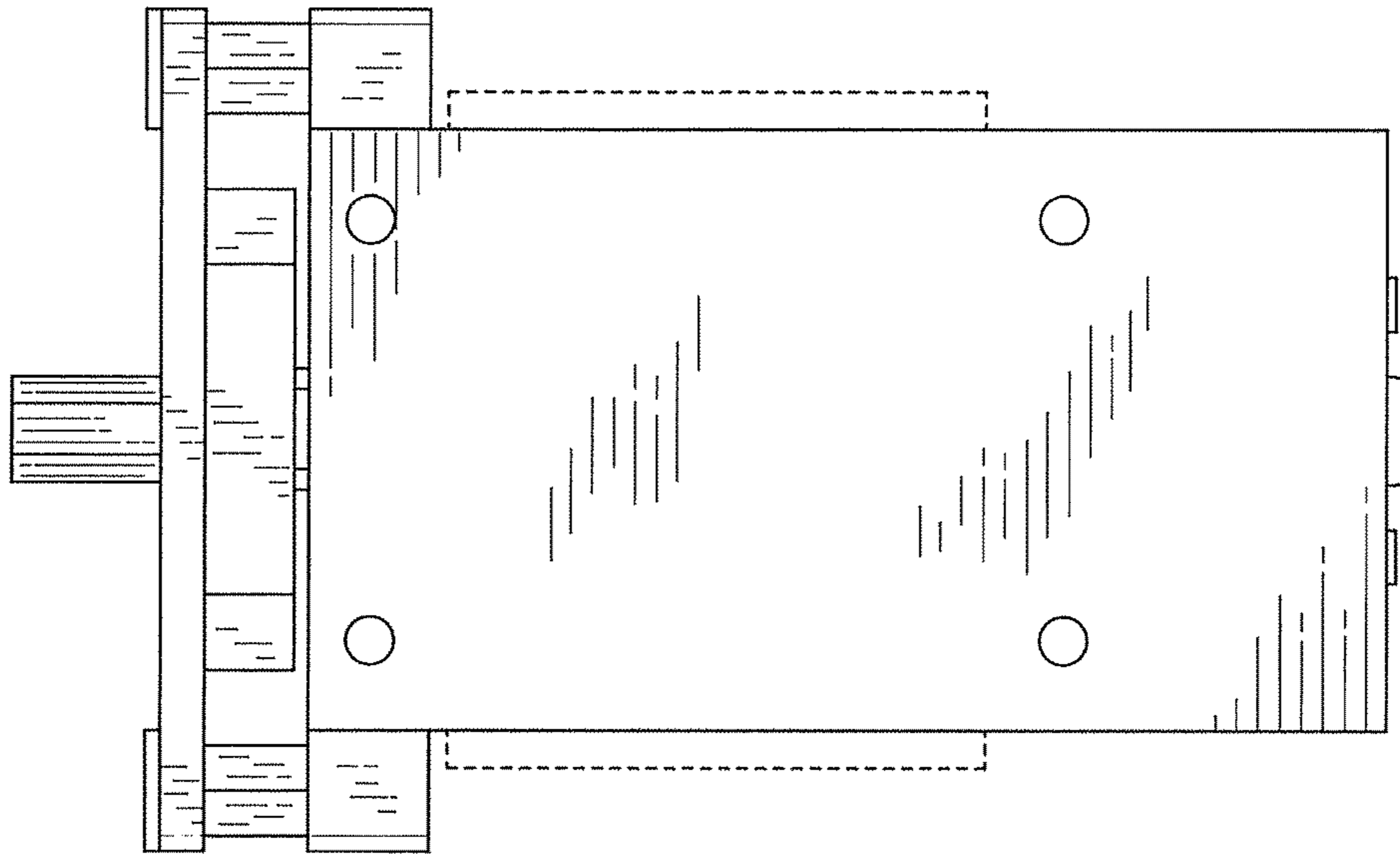


Fig. 5

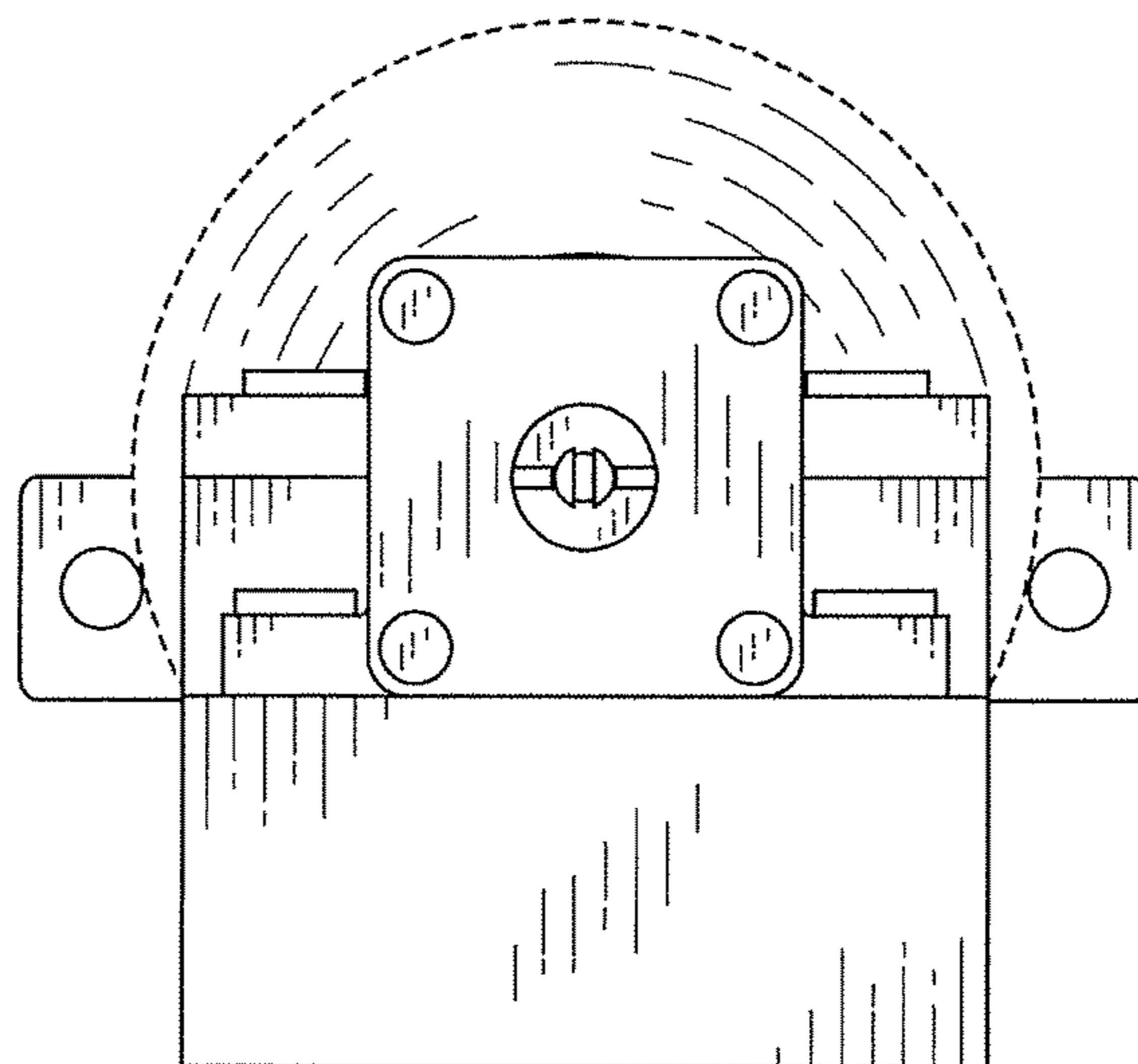


Fig. 6

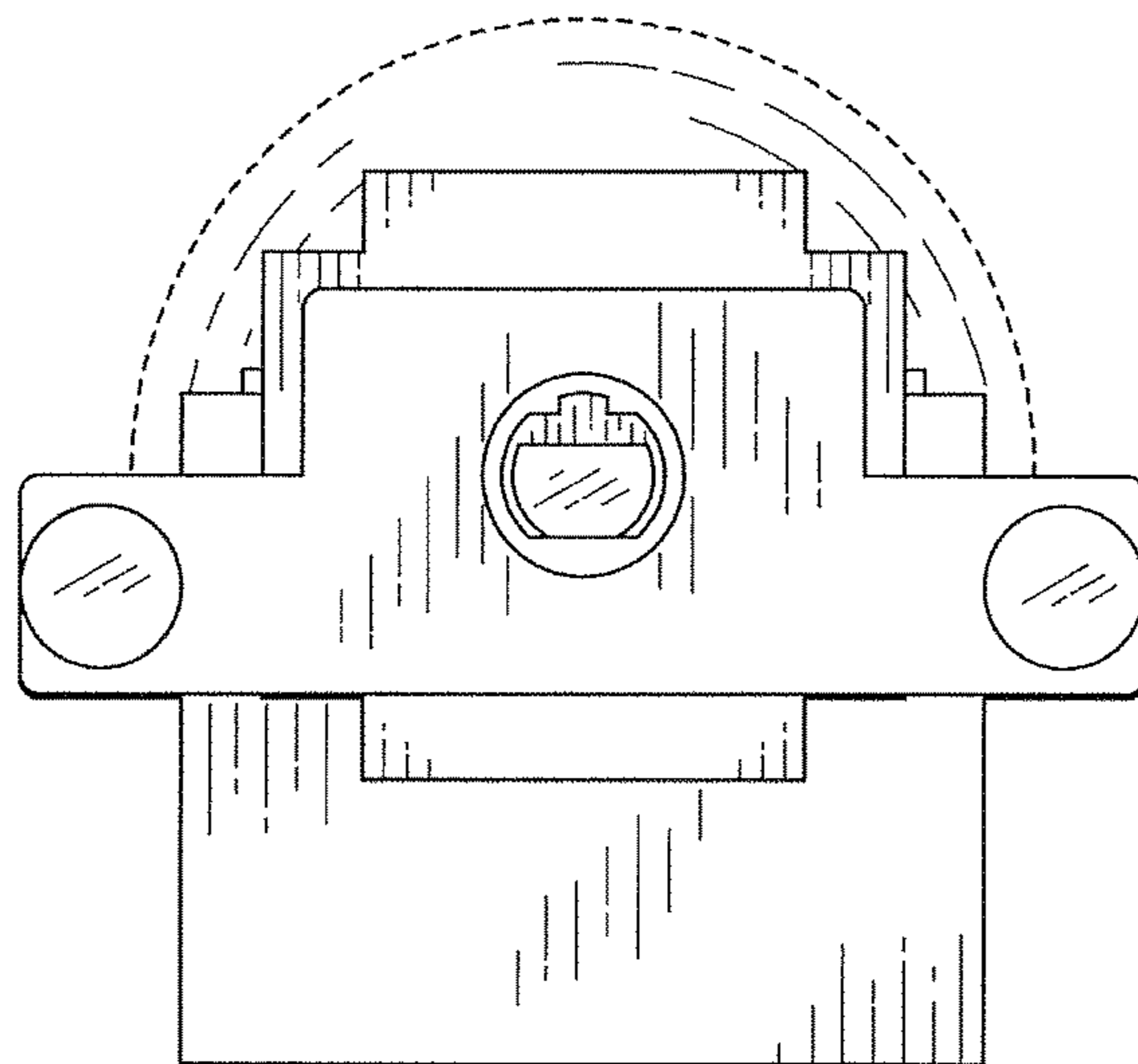


Fig. 7