



US00D906965S

(12) **United States Design Patent**  
**Oka et al.**

(10) **Patent No.:** **US D906,965 S**  
(45) **Date of Patent:** **\*\* Jan. 5, 2021**

(54) **INDUCTOR**

(71) Applicant: **TOKIN Corporation**, Sendai (JP)

(72) Inventors: **Toshiaki Oka**, Sendai (JP); **Takanori Aizawa**, Sendai (JP)

(73) Assignee: **TOKIN CORPORATION**, Sendai (JP)

(\*\*) Term: **15 Years**

(21) Appl. No.: **29/657,793**

(22) Filed: **Jul. 25, 2018**

(30) **Foreign Application Priority Data**

Mar. 16, 2018 (JP) ..... 2018-005598

(51) **LOC (13) Cl.** ..... **13-02**

(52) **U.S. Cl.**

USPC ..... **D13/117**

(58) **Field of Classification Search**

USPC ..... D13/117, 101, 110, 118, 133, 179, 183,  
D13/199; 123/634; 250/231.12; 336/83,  
336/90, 92, 96, 160, 178, 192, 198, 200;  
D15/5, 199

CPC . H01F 5/02; H01F 5/04; H01F 27/022; H01F  
27/29; H01F 27/292; H01F 27/325; H01F  
27/2847; H01F 41/061; H01F 41/10;  
Y10T 29/4902; Y10T 29/49069; Y10T  
29/49071; Y10T 29/49073

See application file for complete search history.

(56) **References Cited**

**U.S. PATENT DOCUMENTS**

7,129,810 B1 \* 10/2006 Kimura ..... H01F 17/043  
336/83  
D550,622 S \* 9/2007 Shih ..... D13/118

D586,745 S \* 2/2009 Shibata ..... D13/117  
D693,302 S \* 11/2013 Yamada ..... D13/117  
9,275,787 B2 \* 3/2016 Yan ..... H01F 17/04  
D779,429 S \* 2/2017 Yamada ..... D13/117  
D796,438 S \* 9/2017 Kakuda ..... D13/117  
D806,651 S \* 1/2018 Numajiri ..... D13/117  
2009/0144967 A1 \* 6/2009 Hasu ..... H01F 41/061  
29/605

\* cited by examiner

*Primary Examiner* — Derrick E Holland

(74) *Attorney, Agent, or Firm* — McCoy Russell LLP

(57) **CLAIM**

The ornamental design for an inductor, as shown and described.

**DESCRIPTION**

FIG. 1 is a front view of an inductor according to the present disclosure.

FIG. 2 is a rear view of the inductor.

FIG. 3 is a left side view of the inductor.

FIG. 4 is a right side view of the inductor.

FIG. 5 is a top view of the inductor.

FIG. 6 is a bottom view of the inductor.

FIG. 7 is a first perspective view of the inductor.

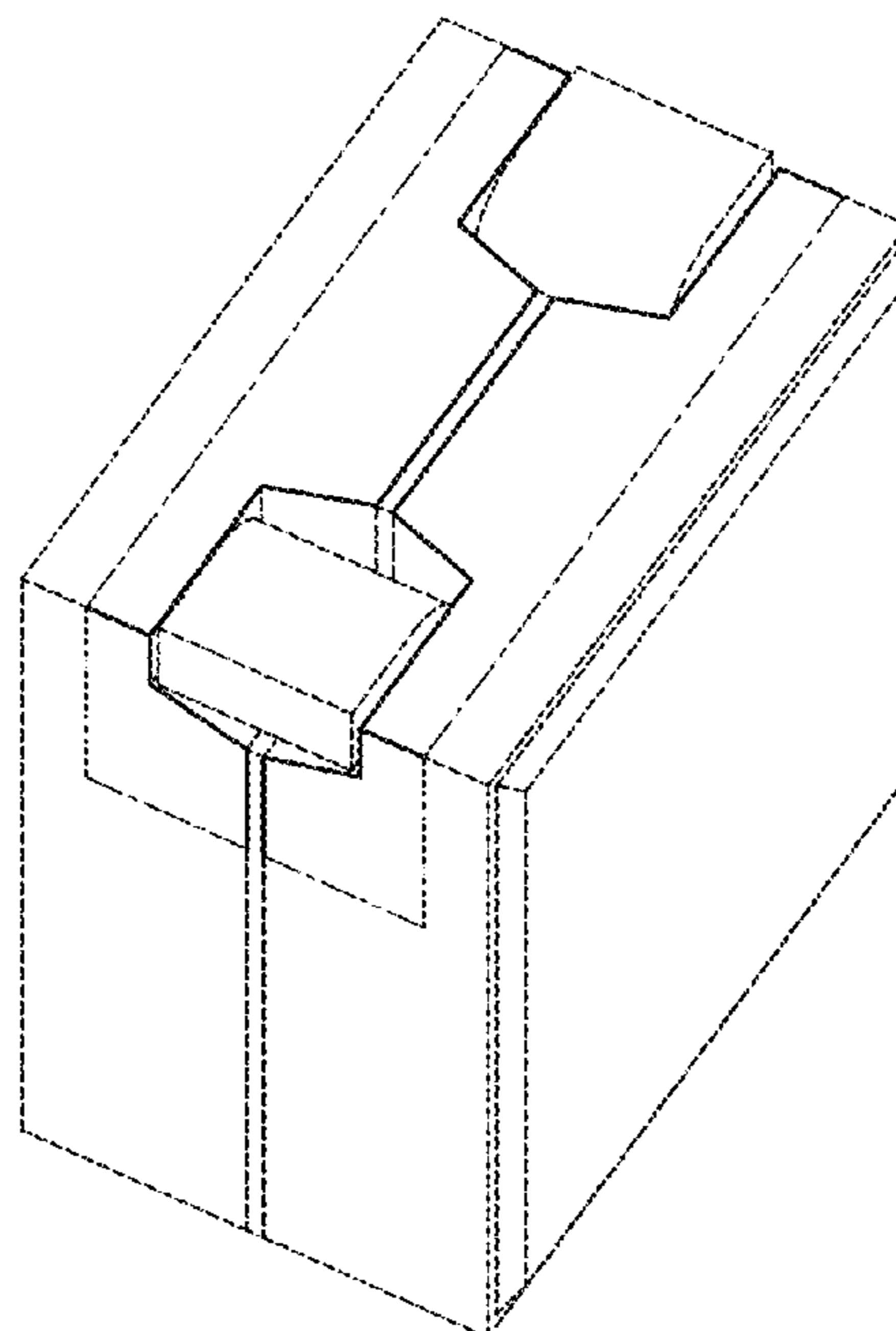
FIG. 8 is a second perspective view of the inductor.

FIG. 9 is a cross section of the inductor taken along the line 9-9 in FIG. 5; and,

FIG. 10 is a cross section of the inductor taken along the line 10-10 in FIG. 5.

The Dash-Dash broken line portion of the figure drawings is included to show portions of the inductor that form no part of the claimed design. The Dash-Dot broken line portion of the figure drawings is included to show claim boundaries that form no part of the claimed design.

**1 Claim, 5 Drawing Sheets**



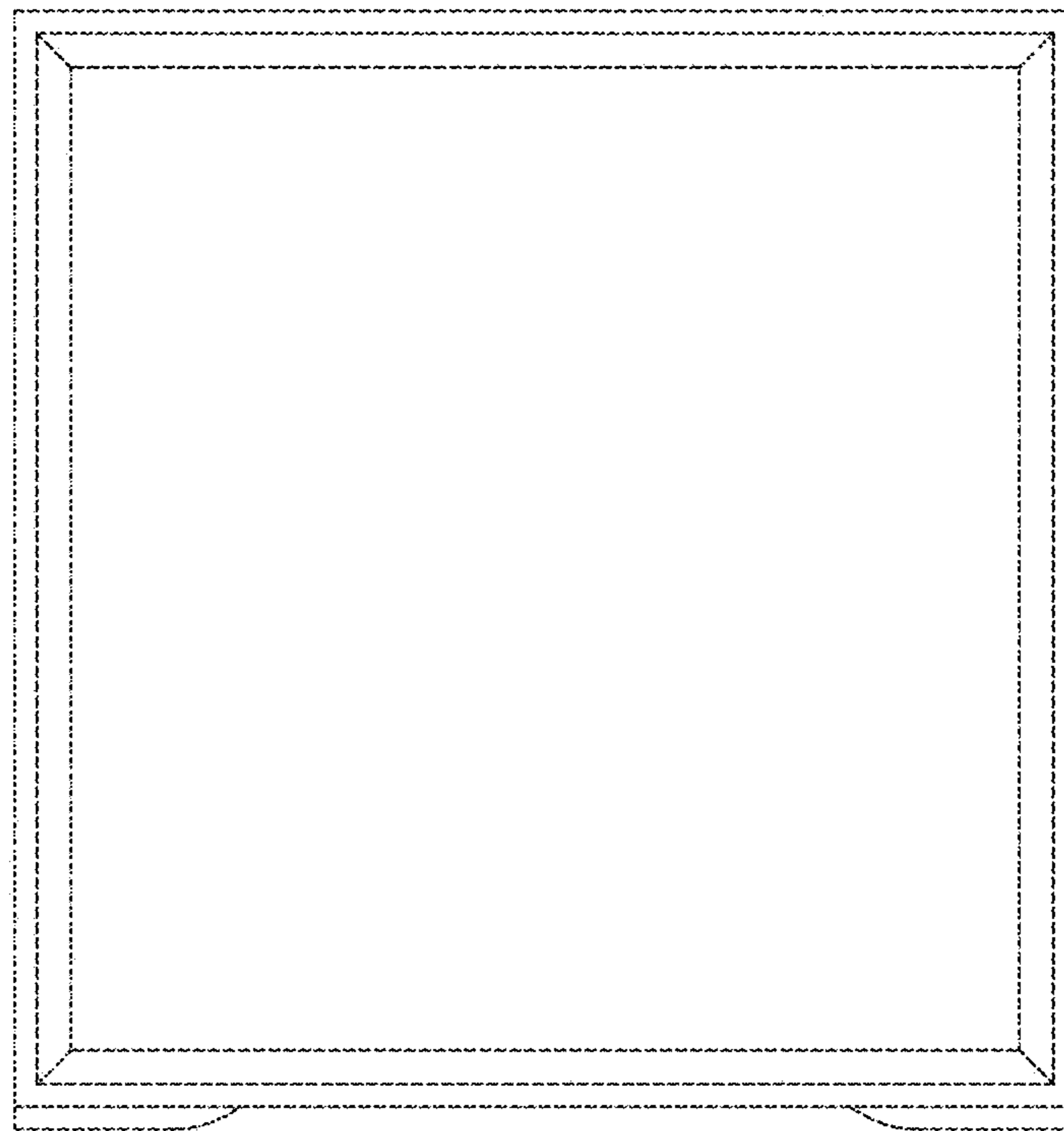


FIG. 1

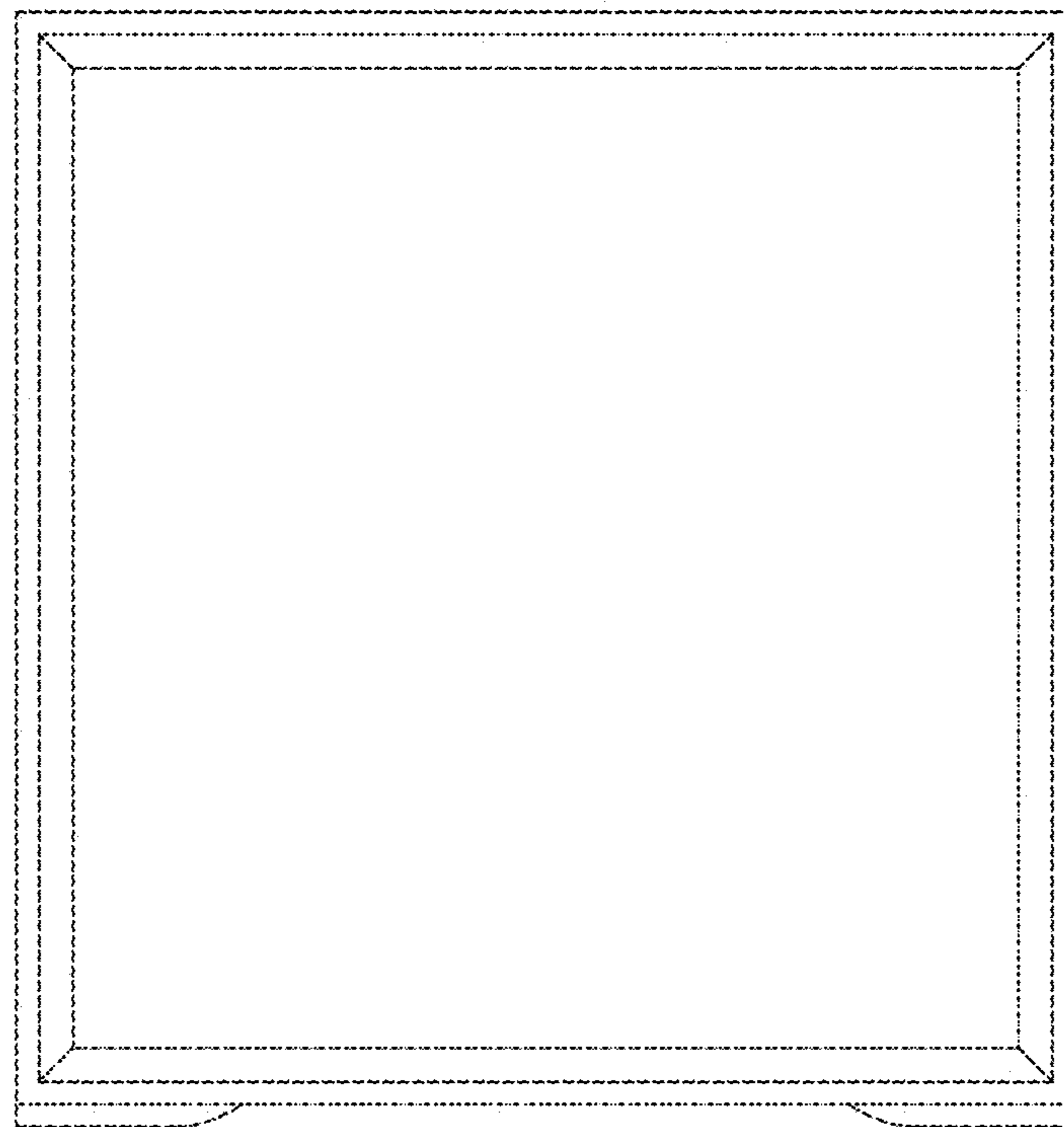


FIG. 2

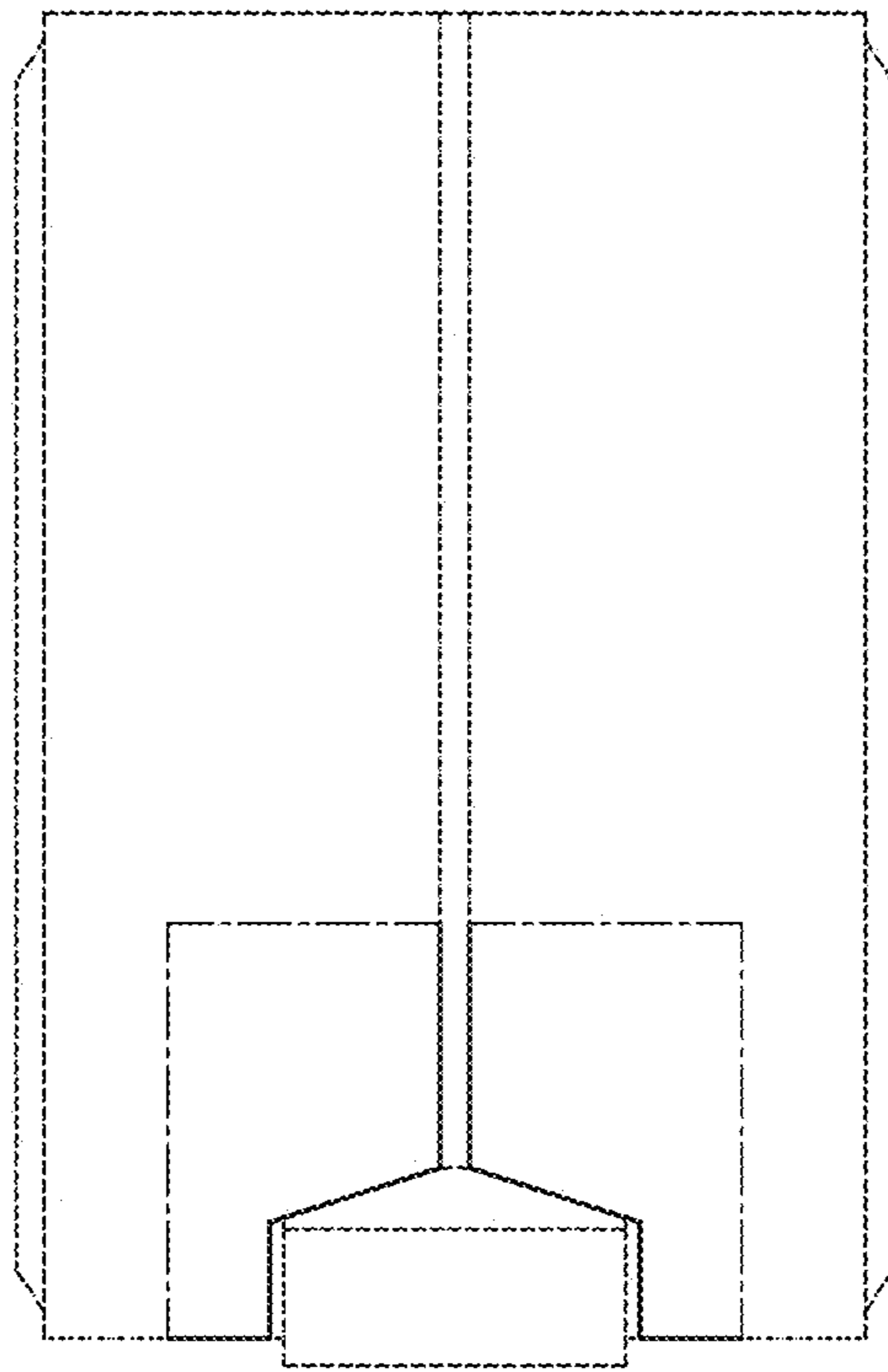


FIG. 3

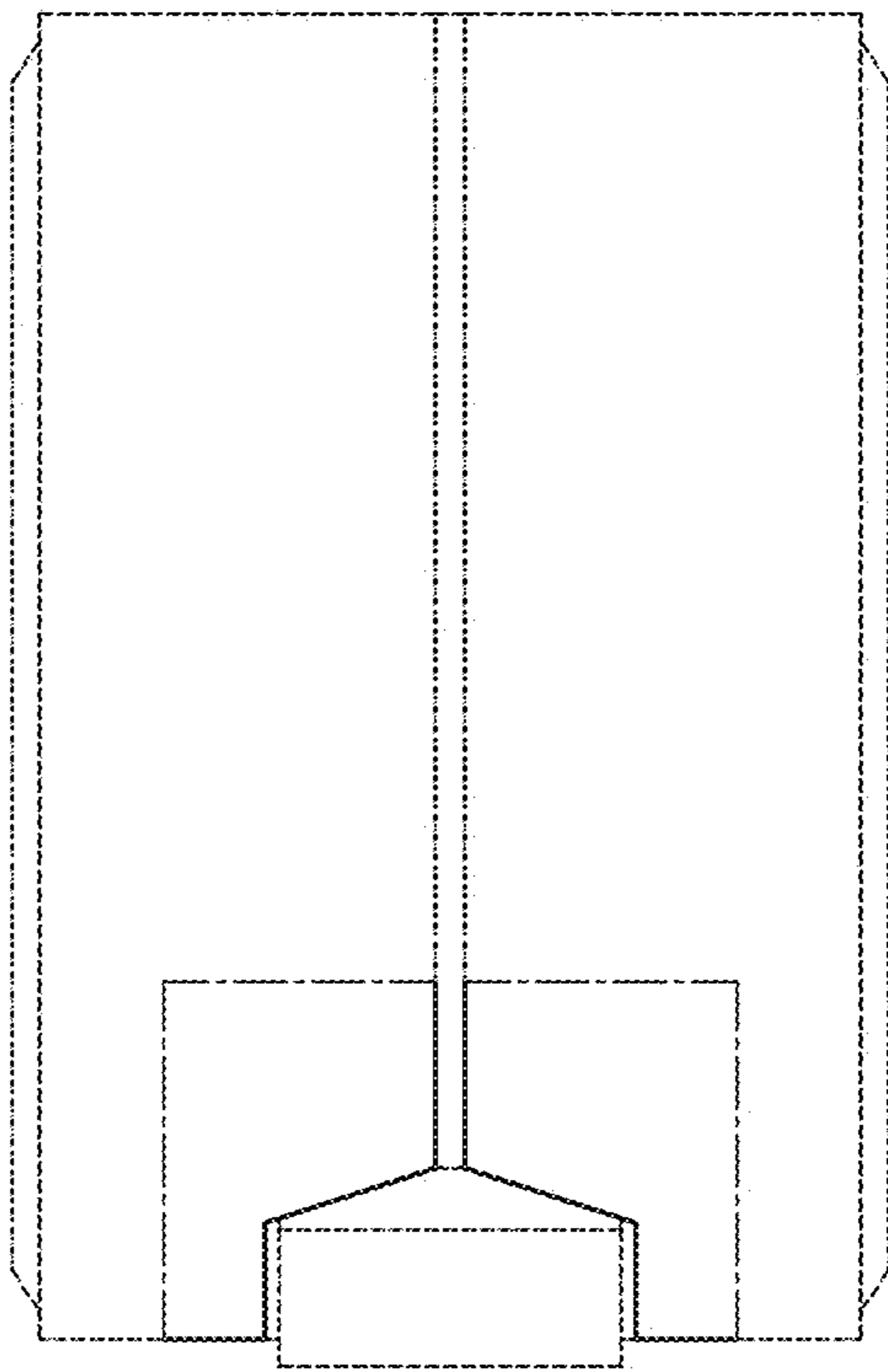


FIG. 4

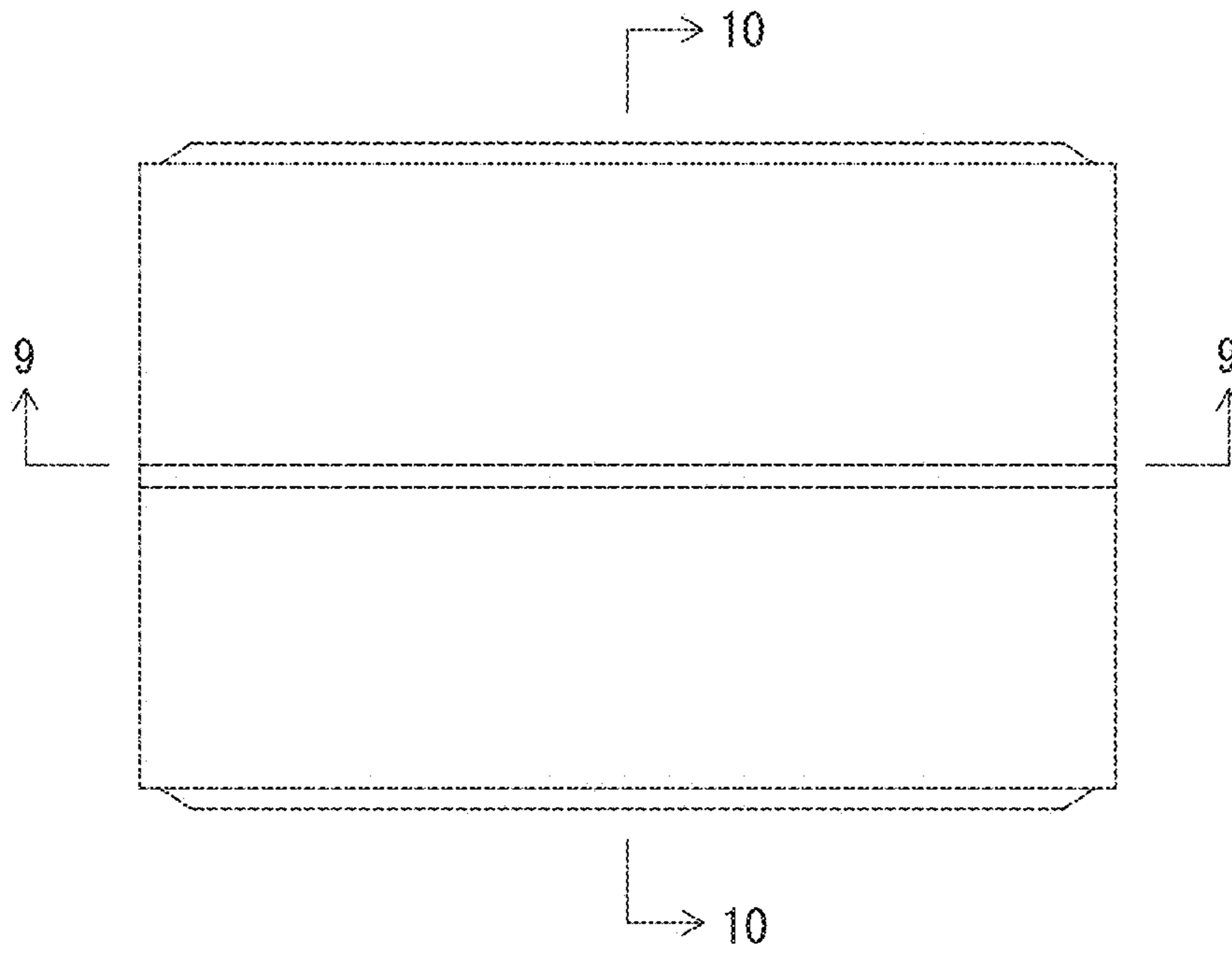


FIG. 5

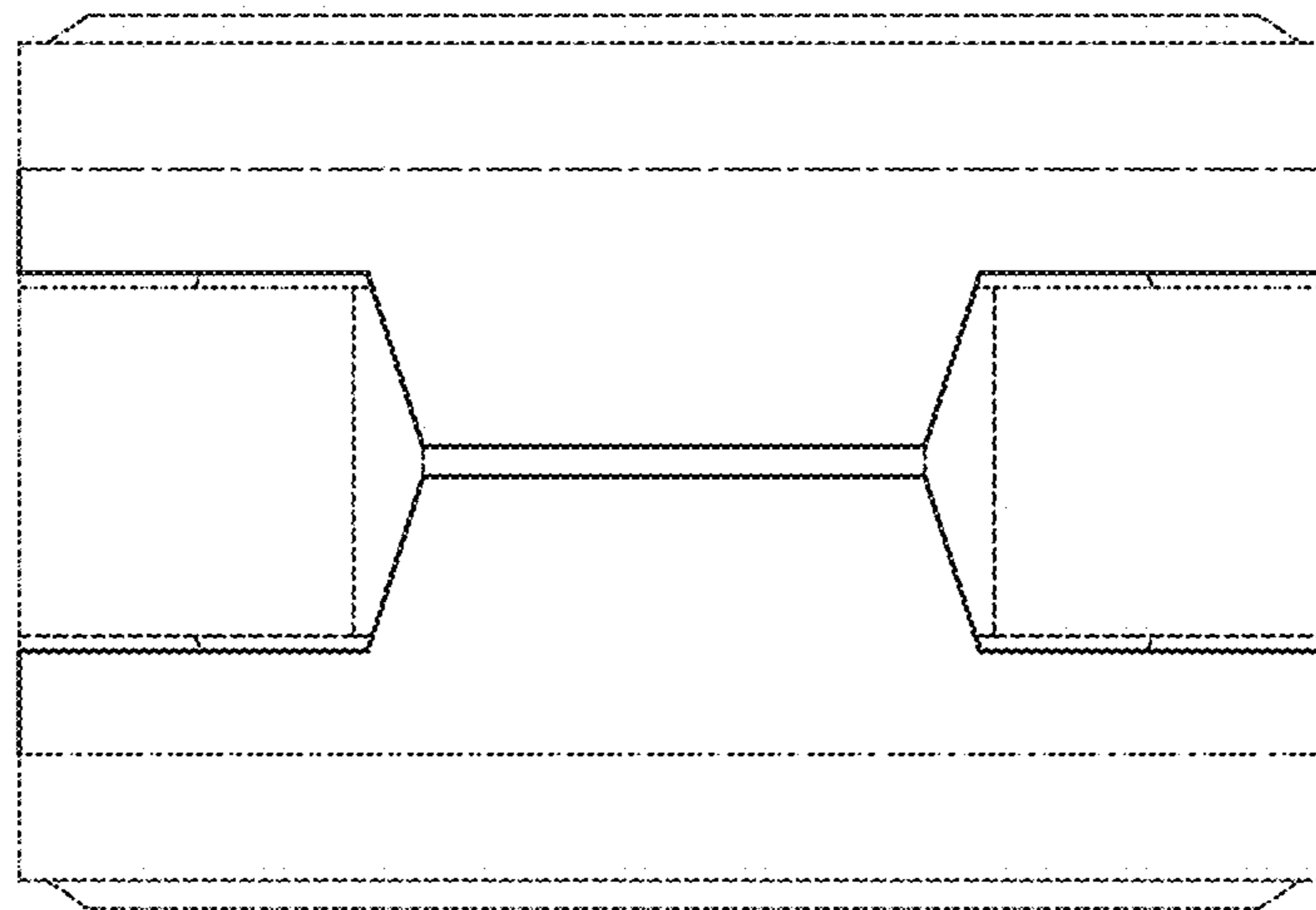


FIG. 6

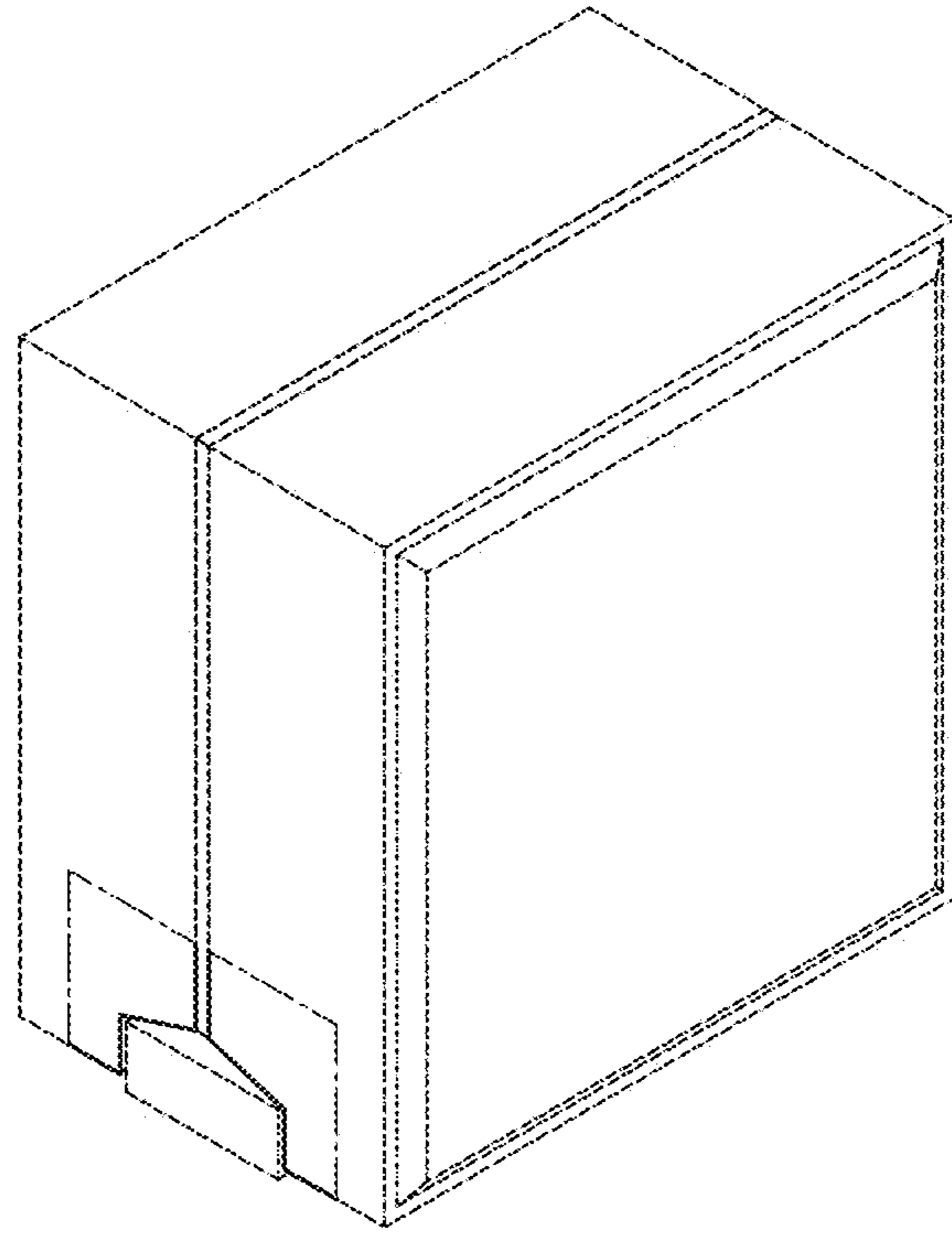


FIG. 7

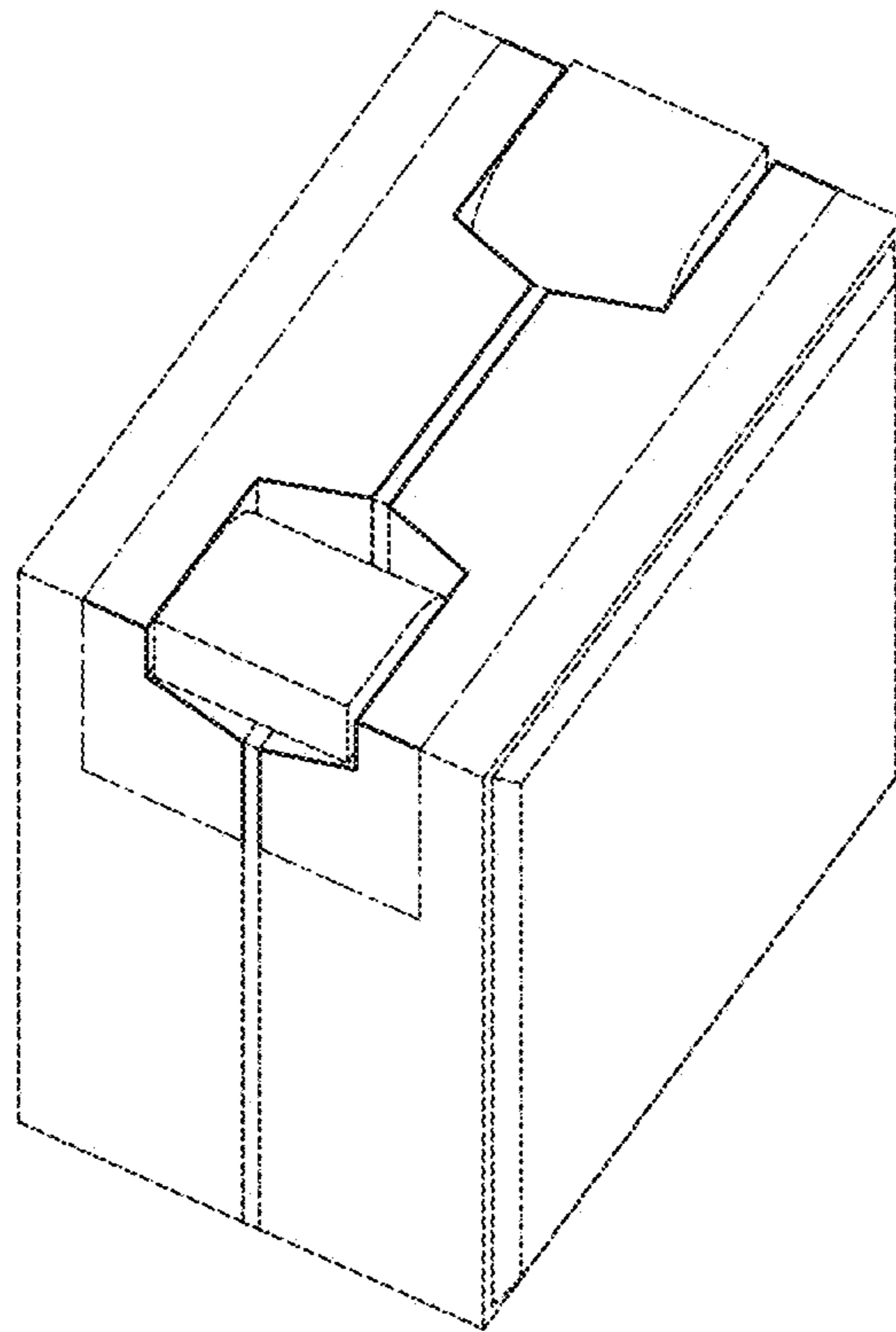


FIG. 8

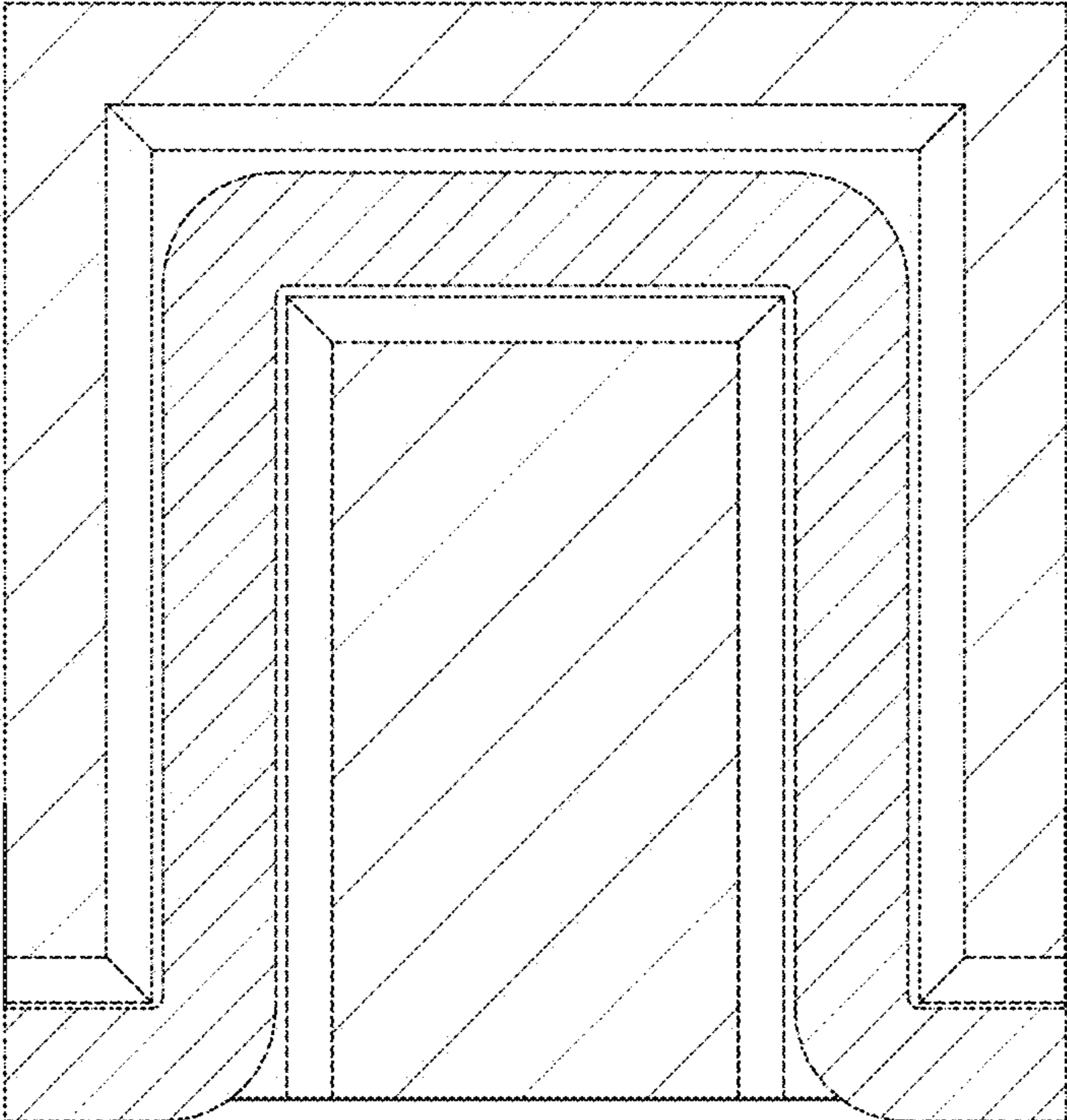


FIG. 9

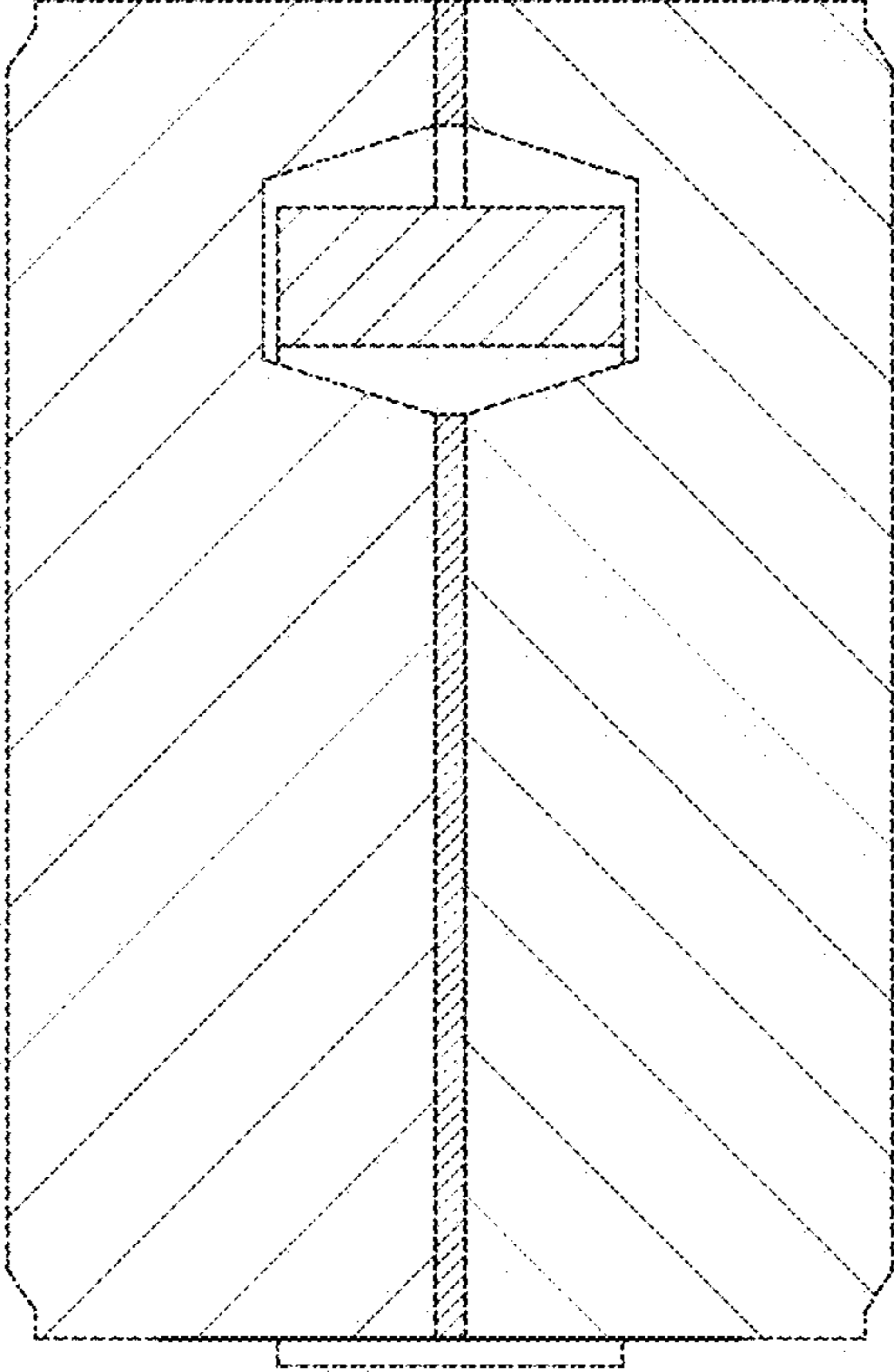


FIG. 10