



US00D906963S

(12) **United States Design Patent** (10) **Patent No.:** **US D906,963 S**
Kato et al. (45) **Date of Patent:** **** Jan. 5, 2021**

(54) **SERVO AMPLIFIER**

(56) **References Cited**

(71) Applicant: **Mitsubishi Electric Corporation**,
Tokyo (JP)

U.S. PATENT DOCUMENTS

(72) Inventors: **Shinichi Kato**, Tokyo (JP); **Masaaki Kadoyanagi**, Tokyo (JP); **Kentaro Tsukamoto**, Tokyo (JP); **Shotaro Hirako**, Tokyo (JP)

D501,648 S	2/2005	Fiorentino	
D510,319 S	10/2005	Tuomola et al.	
D561,095 S	2/2008	Sakai et al.	
D654,024 S	2/2012	Choi	
D684,533 S	6/2013	Nakahira et al.	
D684,534 S	6/2013	Nakahira et al.	
D713,336 S *	9/2014	Perin	D13/110
D745,847 S *	12/2015	Ho	D13/110
D755,123 S *	5/2016	Ho	D13/110
D771,565 S *	11/2016	Saarivirta	D13/110
D771,566 S *	11/2016	Saarivirta	D13/110
D772,161 S *	11/2016	Saarivirta	D13/110
D772,162 S *	11/2016	Saarivirta	D13/110
D796,431 S *	9/2017	Lau	D13/107

(73) Assignee: **Mitsubishi Electric Corporation**,
Tokyo (JP)

(**) Term: **15 Years**

(21) Appl. No.: **29/745,051**

(22) Filed: **Aug. 3, 2020**

Related U.S. Application Data

(62) Division of application No. 29/695,140, filed on Jun. 17, 2019.

(30) **Foreign Application Priority Data**

Jan. 31, 2019	(JP)	2019-001868
Jan. 31, 2019	(JP)	2019-001869
Jan. 31, 2019	(JP)	2019-001870

(51) **LOC (13) Cl.** **13-02**

(52) **U.S. Cl.**
USPC **D13/110**

(58) **Field of Classification Search**
USPC D13/107, 108, 109, 110, 118, 119, 184;
D14/251, 253, 432, 434
CPC Y02E 60/12; Y02T 90/14; Y02T 90/122;
Y02T 90/128; Y02T 90/163; Y02T
10/7005; Y02T 10/705; Y02T 10/7088;
H02J 7/025; H02J 7/0042; H02J 7/0044;
H02J 7/0054; H02J 7/1423; H02J
2001/006; H01F 38/14; H01R 13/6675;
H01M 2/1022; H01M 2/1055; H01M
10/46; H01M 10/425; B60L 11/182

See application file for complete search history.

(Continued)

Primary Examiner — Susan Bennett Hattan

Assistant Examiner — Suzanne E Tisdell

(74) *Attorney, Agent, or Firm* — Studebaker & Brackett
PC

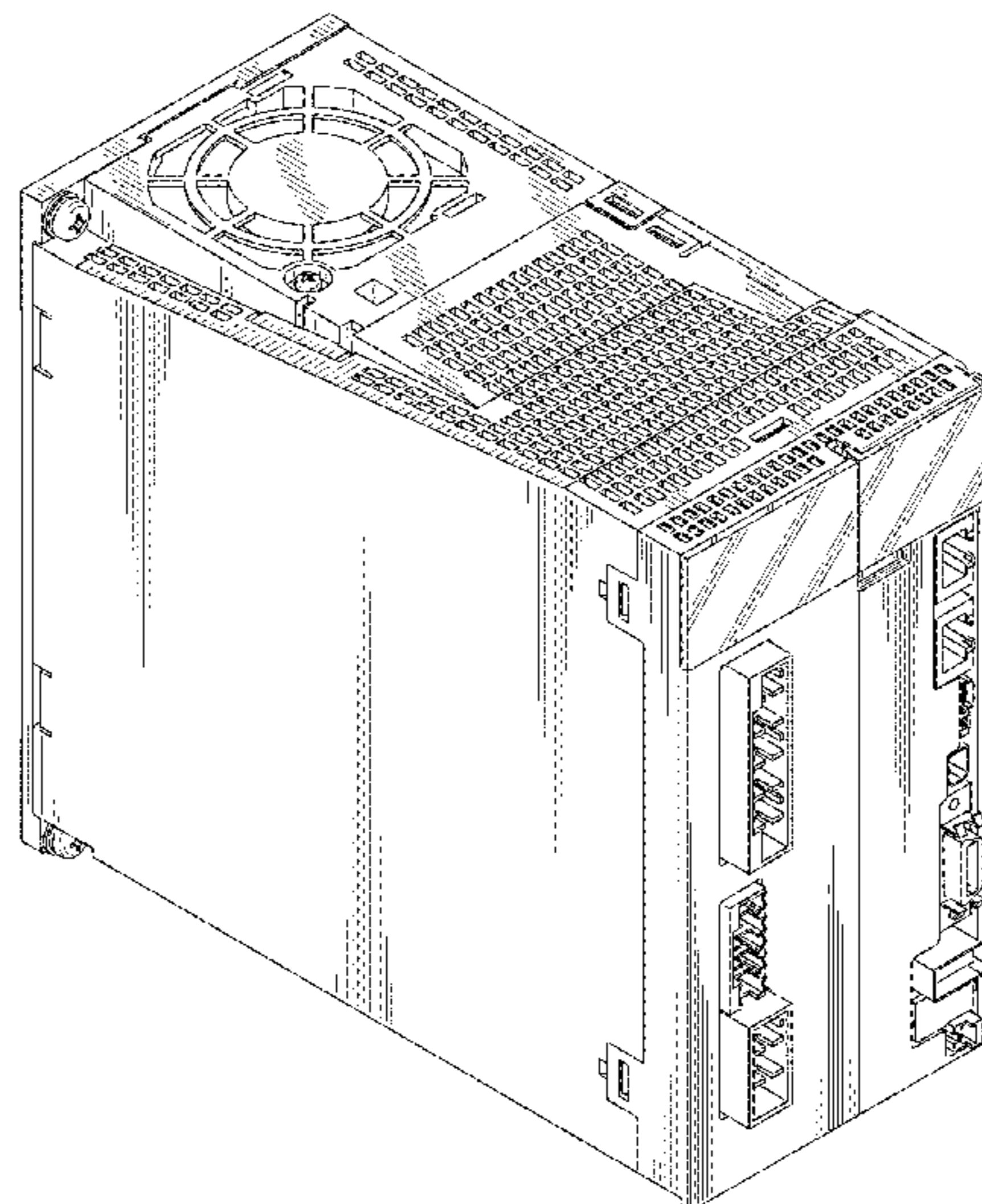
(57) **CLAIM**

The ornamental design for a servo amplifier, as shown and described.

DESCRIPTION

FIG. 1 is a front perspective view of the front, left, and top sides of a servo amplifier showing our new design;
FIG. 2 is a rear perspective view of the rear, right, and bottom sides thereof;
FIG. 3 is a front view thereof;
FIG. 4 is a rear view thereof;
FIG. 5 is a top plan view thereof;
FIG. 6 is a bottom plan view thereof;
FIG. 7 is a right side view thereof; and,
FIG. 8 is a left side view thereof.

1 Claim, 8 Drawing Sheets



(56)

References Cited

U.S. PATENT DOCUMENTS

D815,592 S *	4/2018	Lau	D13/107
D828,294 S *	9/2018	Lau	D13/107
10,074,844 B2	9/2018	Wada et al.	
D840,335 S *	2/2019	Gleave	D13/110
D862,386 S *	10/2019	Beer	D13/110
D876,349 S *	2/2020	Nagano	D13/110

* cited by examiner

FIG. 1

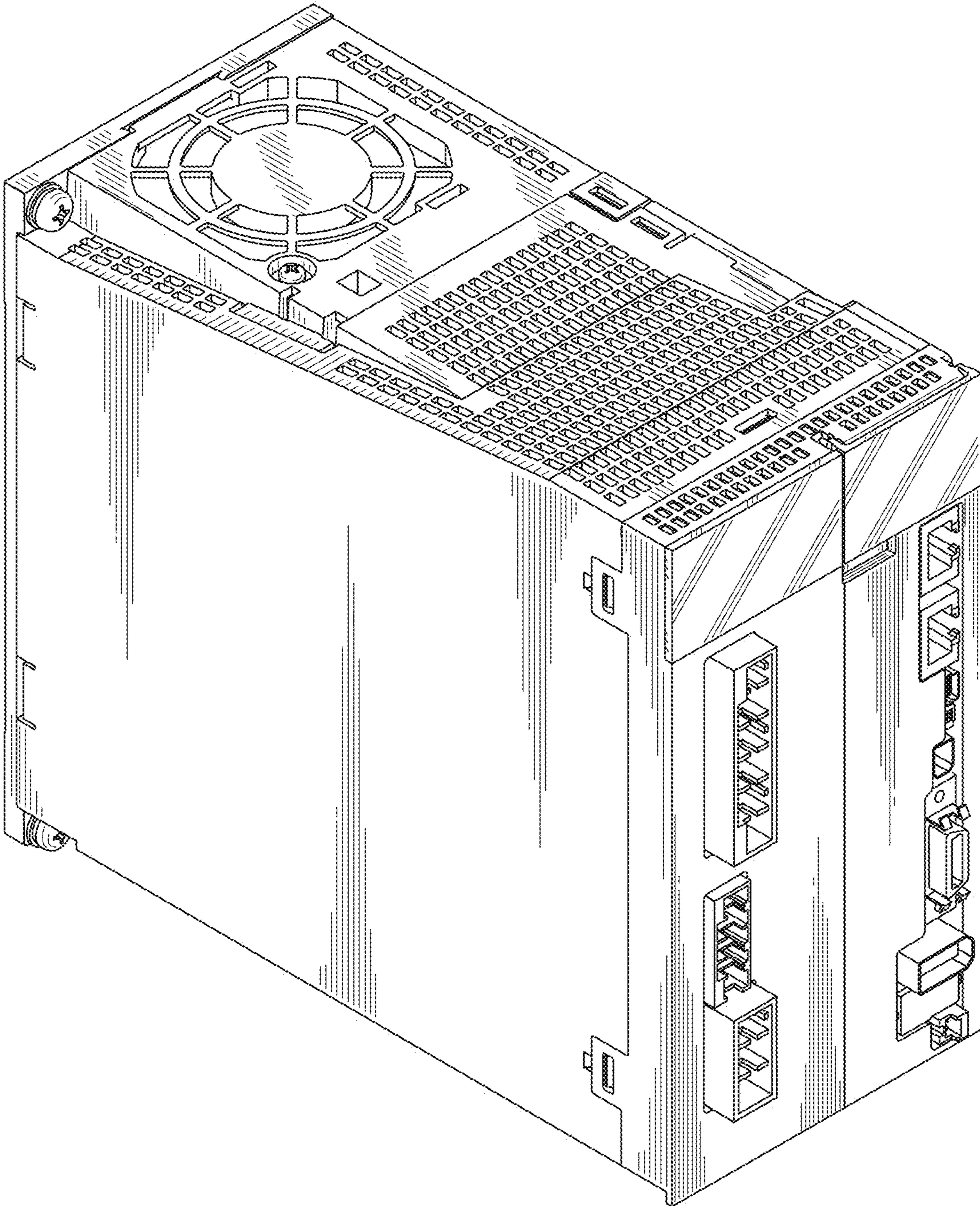


FIG. 2

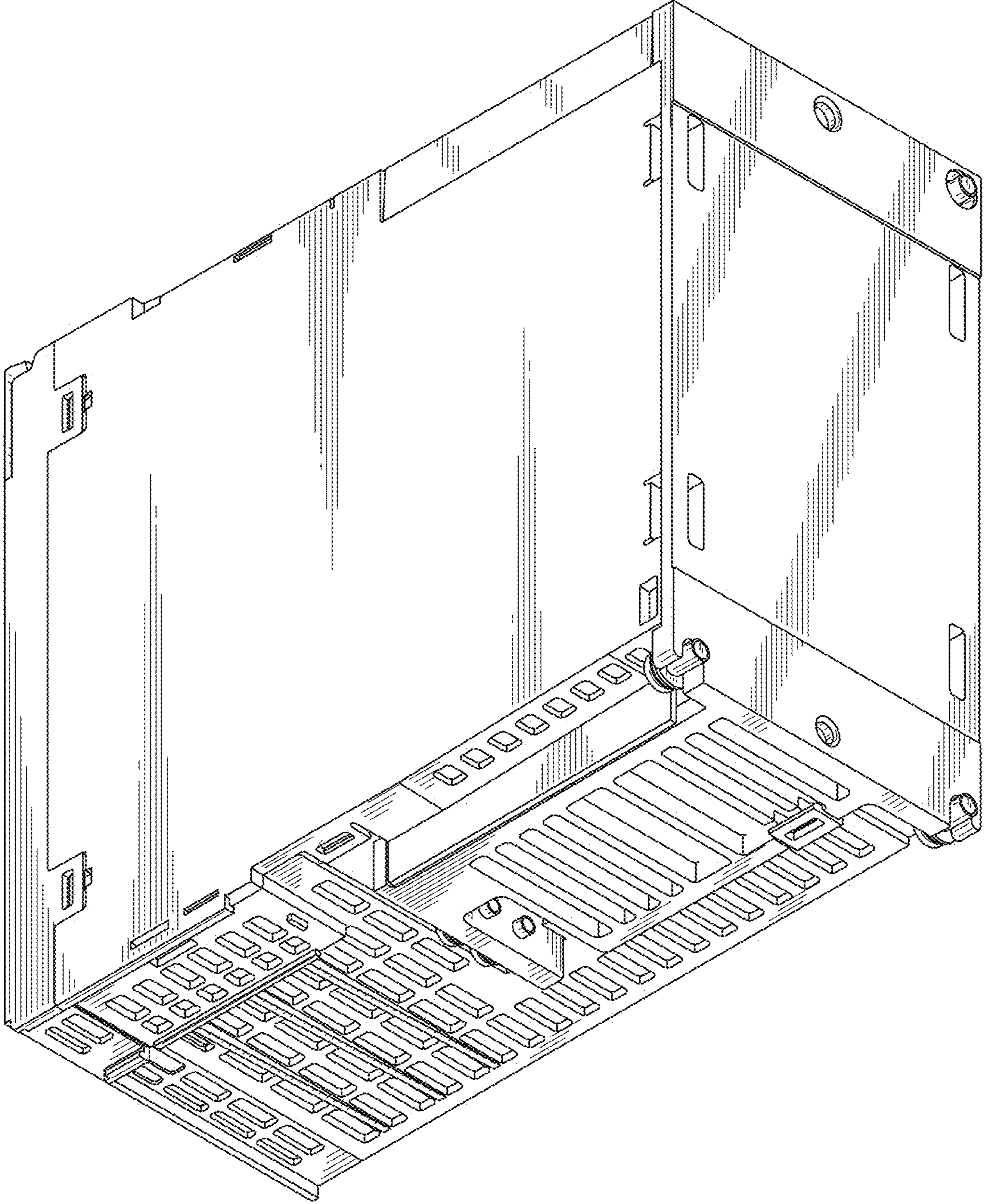


FIG. 3

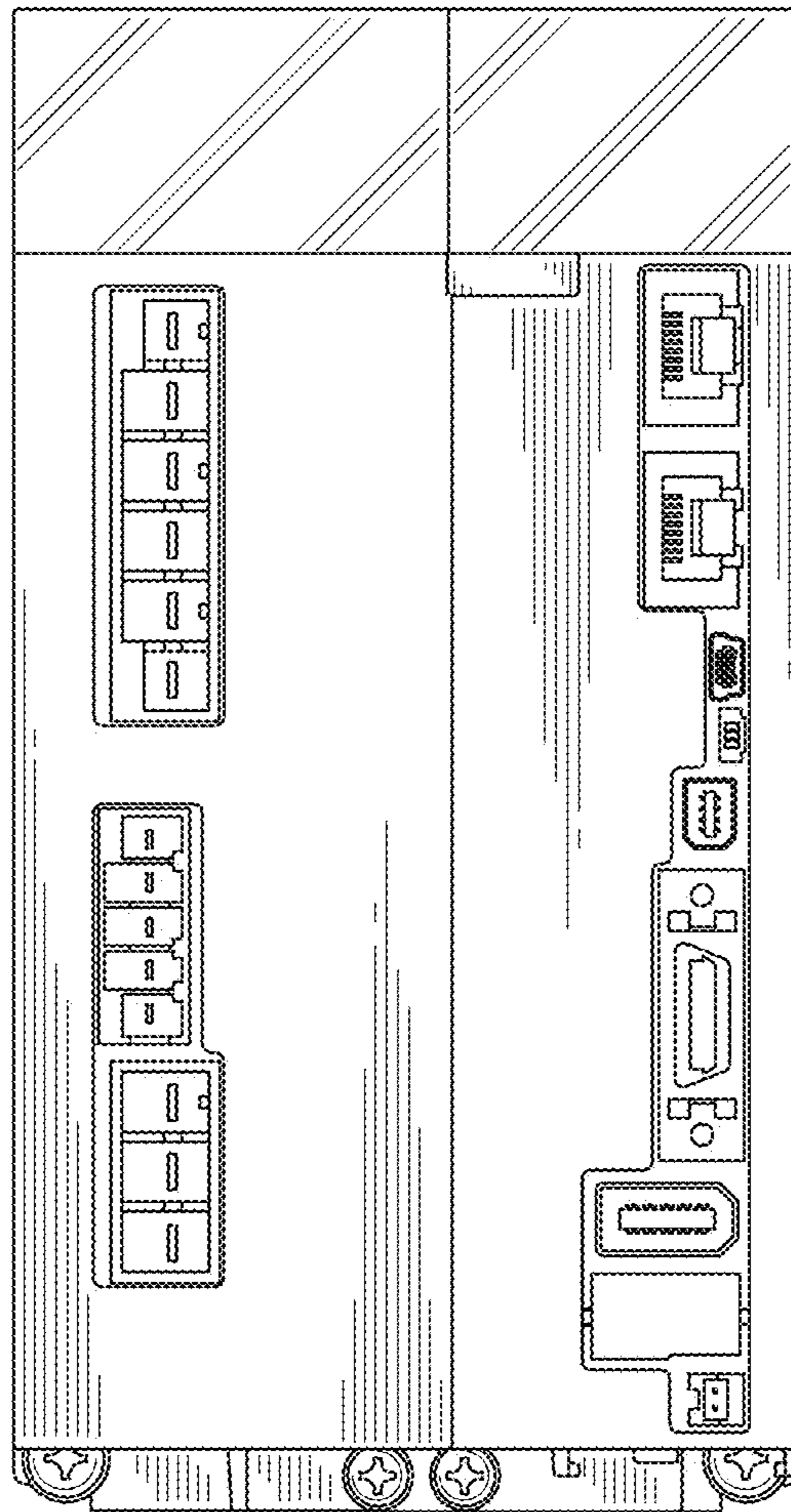


FIG. 4

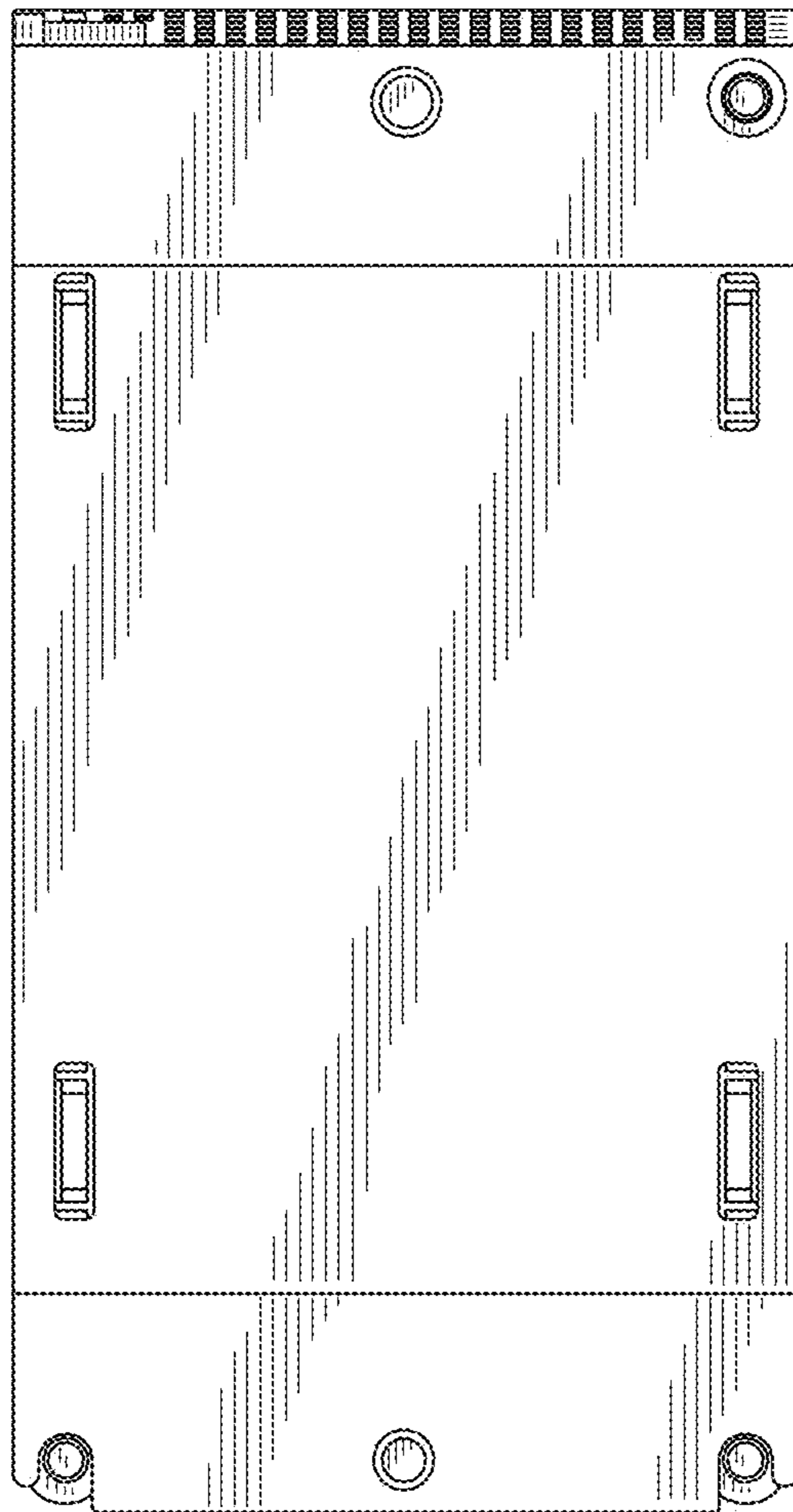


FIG. 5

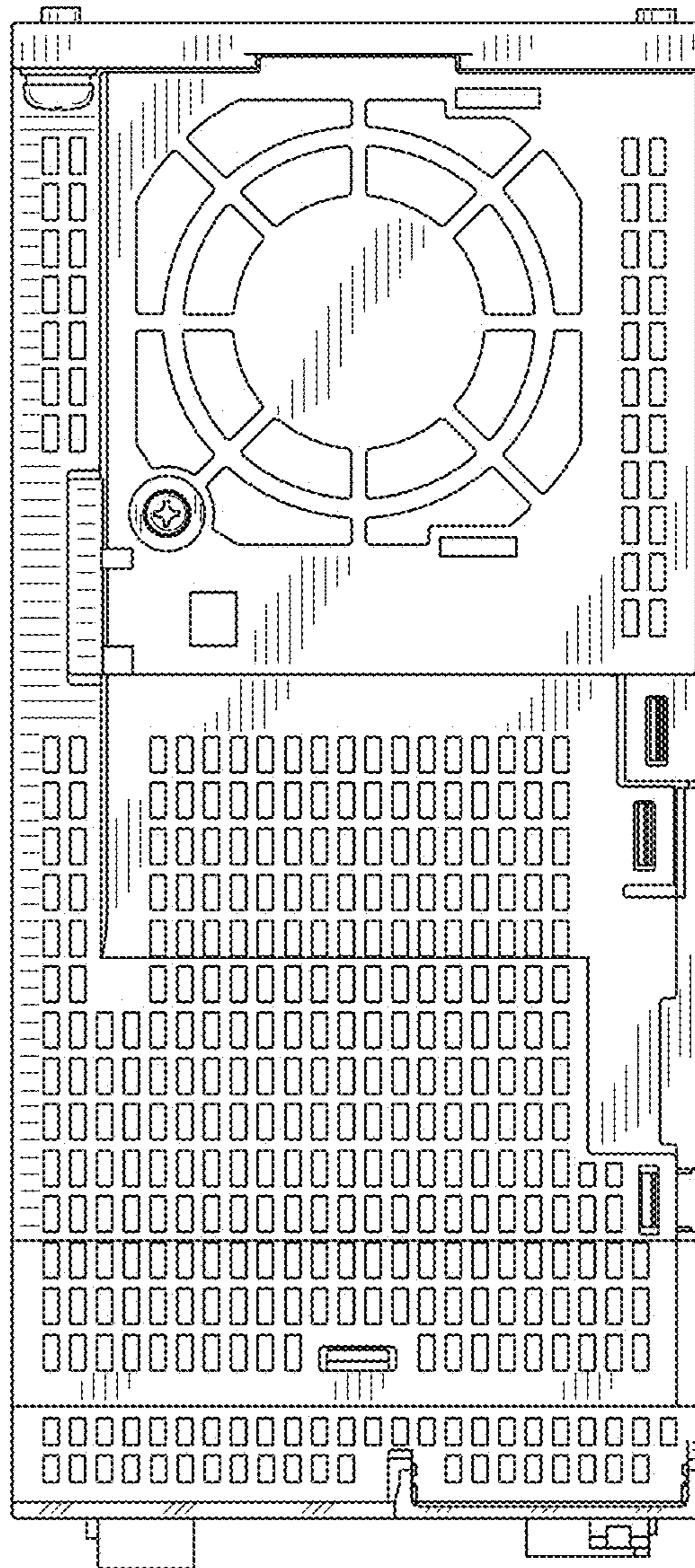


FIG. 6

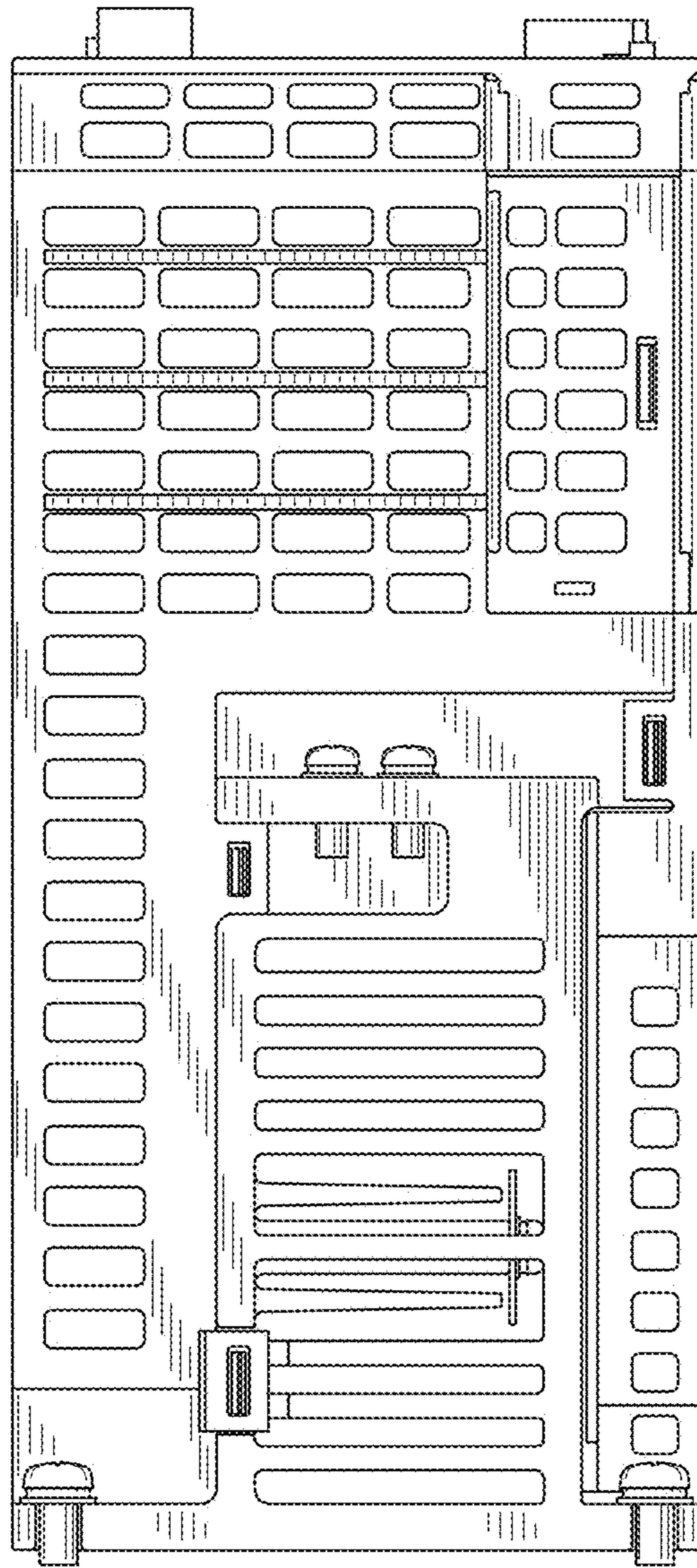


FIG. 7

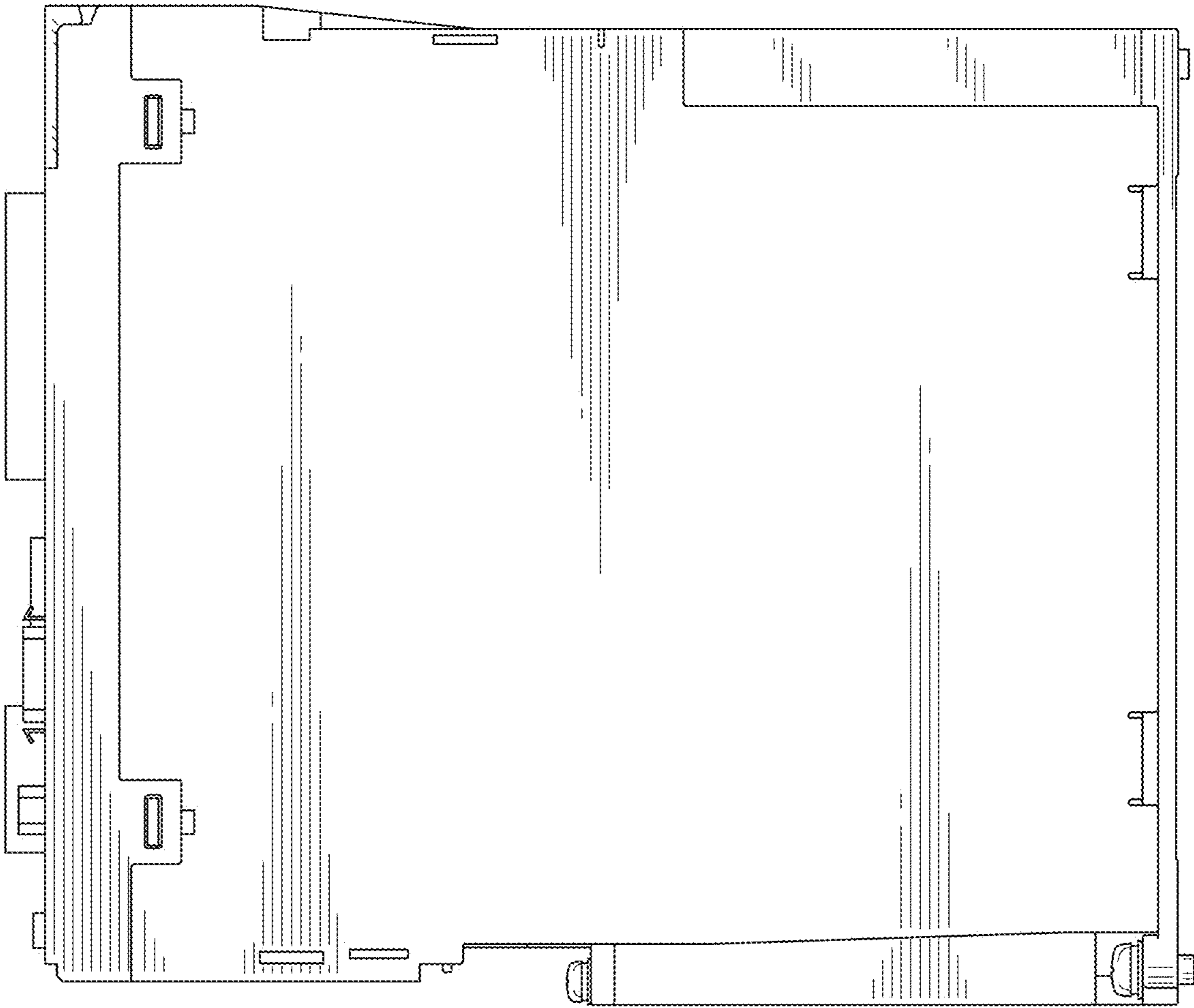


FIG. 8

