



US00D906960S

(12) **United States Design Patent**  
**Kato et al.**

(10) **Patent No.:** **US D906,960 S**

(45) **Date of Patent:** **\*\* Jan. 5, 2021**

- (54) **SERVO AMPLIFIER**
- (71) Applicant: **Mitsubishi Electric Corporation,**  
Tokyo (JP)
- (72) Inventors: **Shinichi Kato,** Tokyo (JP); **Masaaki**  
**Kadoyanagi,** Tokyo (JP); **Kentaro**  
**Tsukamoto,** Tokyo (JP); **Shotaro**  
**Hirako,** Tokyo (JP)
- (73) Assignee: **Mitsubishi Electric Corporation,**  
Tokyo (JP)
- (\*\*) Term: **15 Years**
- (21) Appl. No.: **29/695,140**
- (22) Filed: **Jun. 17, 2019**
- (30) **Foreign Application Priority Data**

Jan. 31, 2019 (JP) ..... 2019-001868  
 Jan. 31, 2019 (JP) ..... 2019-001869  
 Jan. 31, 2019 (JP) ..... 2019-001870

- (51) **LOC (13) Cl.** ..... **13-02**
- (52) **U.S. Cl.**  
USPC ..... **D13/110**

- (58) **Field of Classification Search**  
USPC ..... D13/107, 108, 109, 110, 118, 119, 184;  
D14/251, 253, 432, 434  
CPC ..... Y02E 60/12; Y02T 90/14; Y02T 90/122;  
Y02T 90/128; Y02T 90/163; Y02T  
10/7005; Y02T 10/705; Y02T 10/7088;  
H02J 7/025; H02J 7/0042; H02J 7/0044;  
H02J 7/0054; H02J 7/1423; H02J  
2001/006; H01F 38/14; H01R 13/6675;  
H01M 2/1022; H01M 2/1055; H01M  
10/46; H01M 10/425; B60L 11/182  
See application file for complete search history.

(56) **References Cited**  
U.S. PATENT DOCUMENTS

- D501,648 S \* 2/2005 Fiorentino ..... G06F 1/188  
D13/110
- D510,319 S \* 10/2005 Tuomola ..... D13/110

- D561,095 S \* 2/2008 Sakai ..... D13/110
- D654,024 S \* 2/2012 Choi ..... D13/110
- D684,533 S \* 6/2013 Nakahira ..... D13/110
- D684,534 S \* 6/2013 Nakahira ..... D13/110
- D713,336 S \* 9/2014 Perin ..... D13/110
- D745,847 S \* 12/2015 Ho ..... D13/110
- D755,123 S \* 5/2016 Ho ..... D13/110
- D771,565 S \* 11/2016 Saarivirta ..... D13/110
- D771,566 S \* 11/2016 Saarivirta ..... D13/110
- D772,161 S \* 11/2016 Saarivirta ..... D13/110
- D772,162 S \* 11/2016 Saarivirta ..... D13/110
- D796,431 S \* 9/2017 Lau ..... D13/107
- D815,592 S \* 4/2018 Lau ..... D13/107
- D828,294 S \* 9/2018 Lau ..... D13/107
- 10,074,844 B2 \* 9/2018 Wada ..... B60L 58/21
- D840,335 S \* 2/2019 Gleave ..... D13/110

(Continued)

*Primary Examiner* — Susan Bennett Hattan  
*Assistant Examiner* — Suzanne E Tisdell  
 (74) *Attorney, Agent, or Firm* — Studebaker & Brackett  
 PC

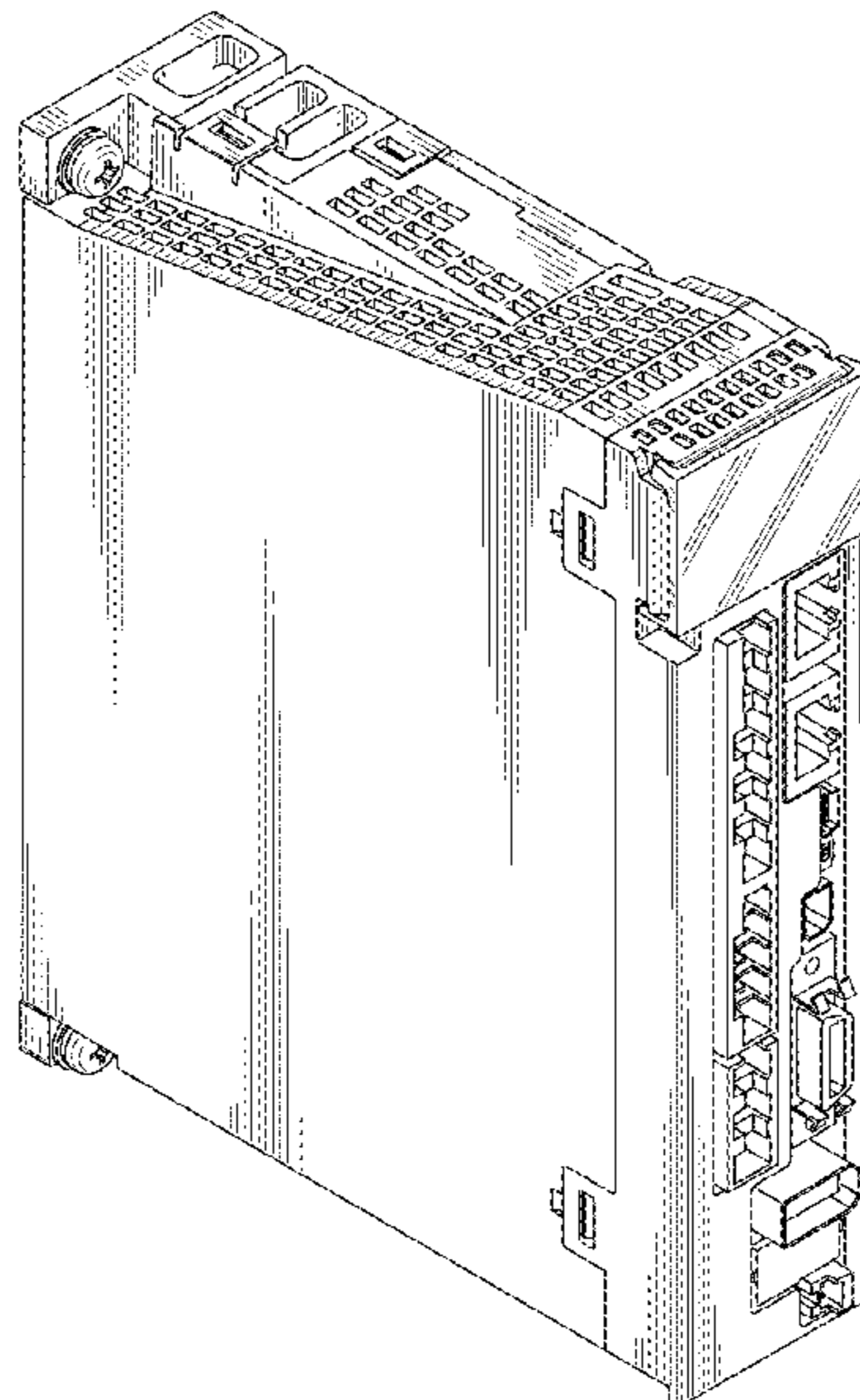
(57) **CLAIM**

The ornamental design for a servo amplifier, as shown and described.

**DESCRIPTION**

FIG. 1. is a front perspective view of the front, left, and top sides of a servo amplifier showing our new design;  
 FIG. 2. is a rear perspective view of the rear, right, and bottom sides thereof;  
 FIG. 3. is a front view thereof;  
 FIG. 4. is a rear view thereof;  
 FIG. 5. is a top plan view thereof;  
 FIG. 6. is a bottom plan view thereof;  
 FIG. 7. is a right side view thereof; and,  
 FIG. 8. is a left side view thereof.

**1 Claim, 8 Drawing Sheets**



(56)

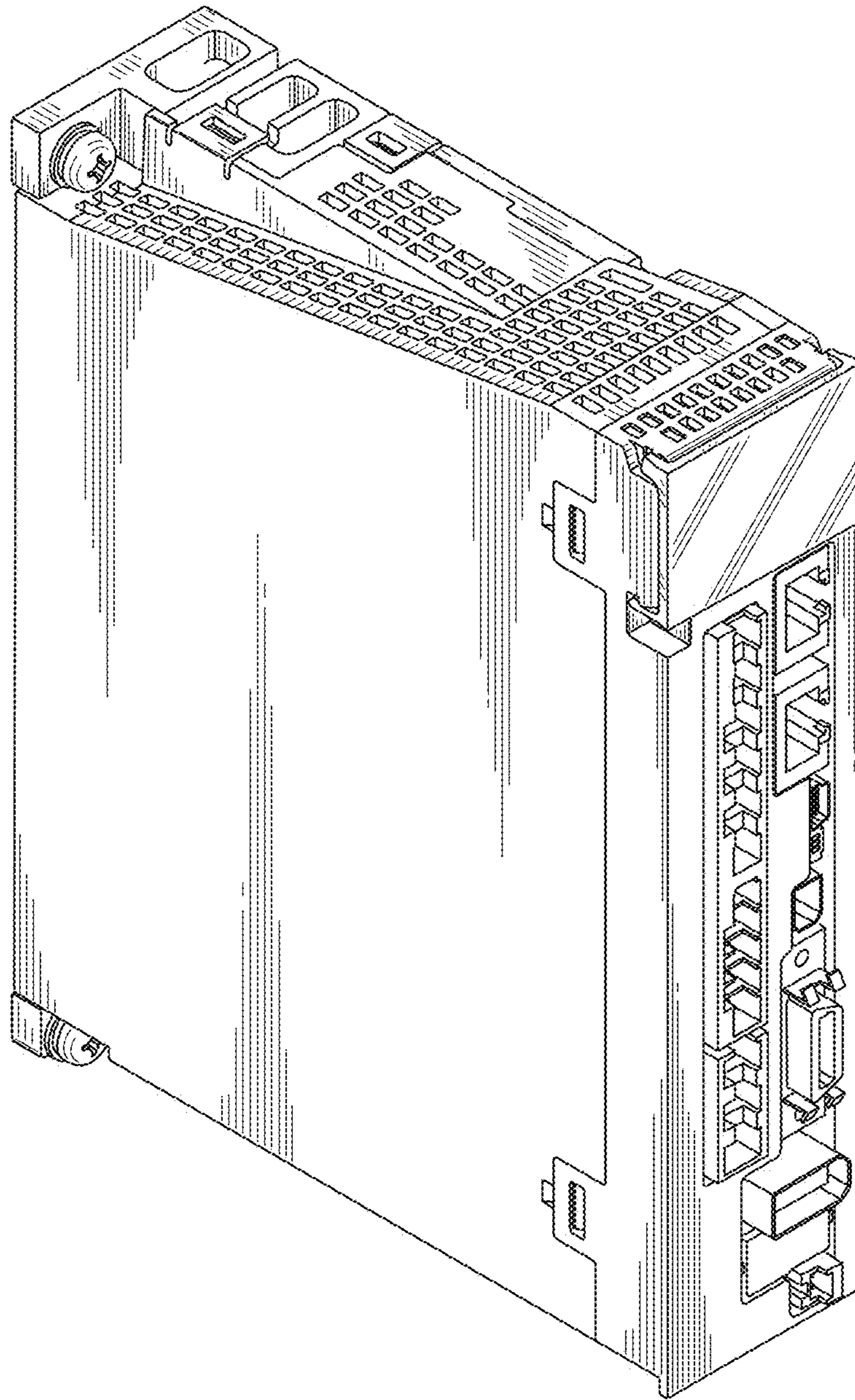
**References Cited**

U.S. PATENT DOCUMENTS

D862,386 S \* 10/2019 Beer ..... D13/110  
D876,349 S \* 2/2020 Nagano ..... D13/110

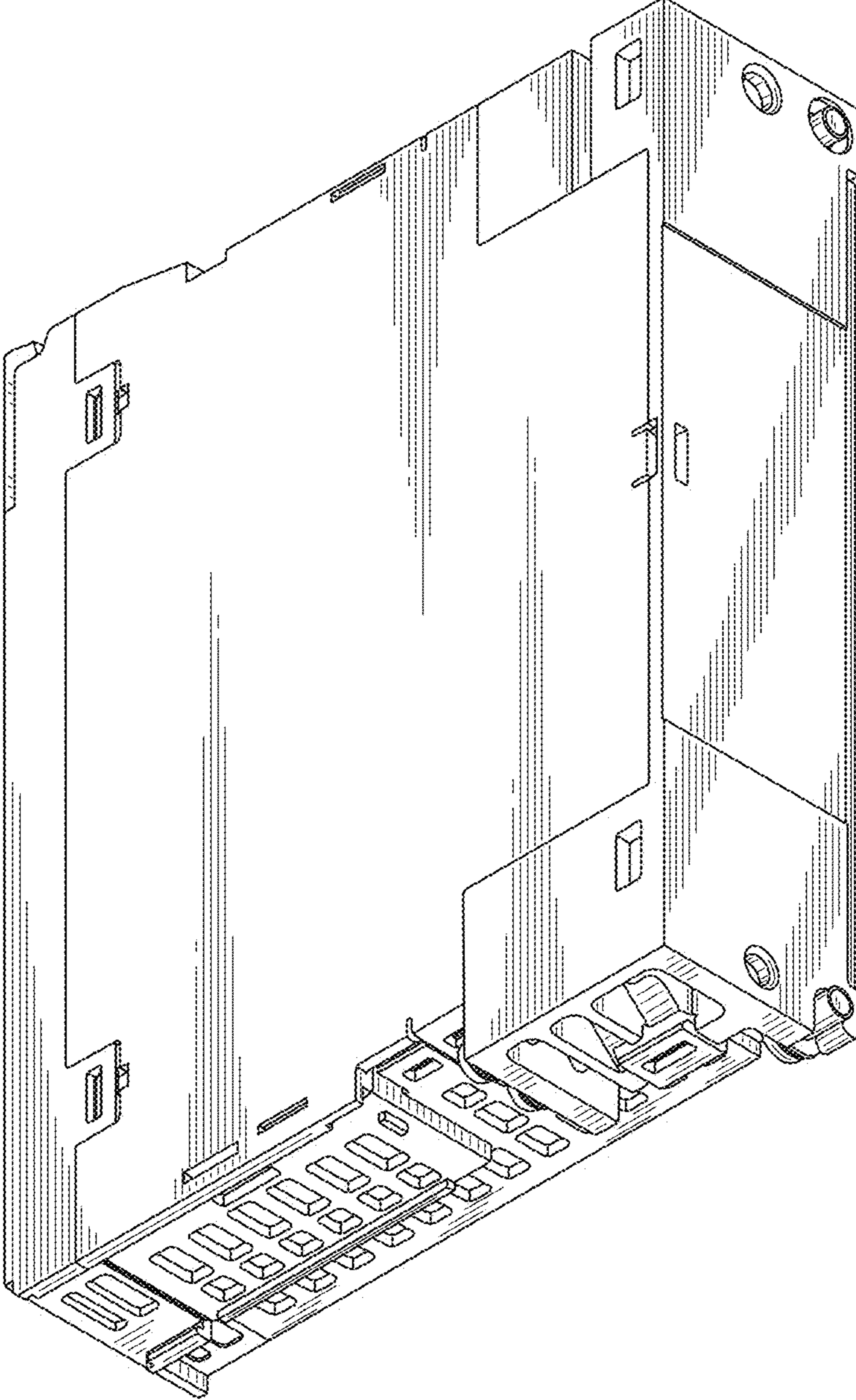
\* cited by examiner

**FIG. 1**

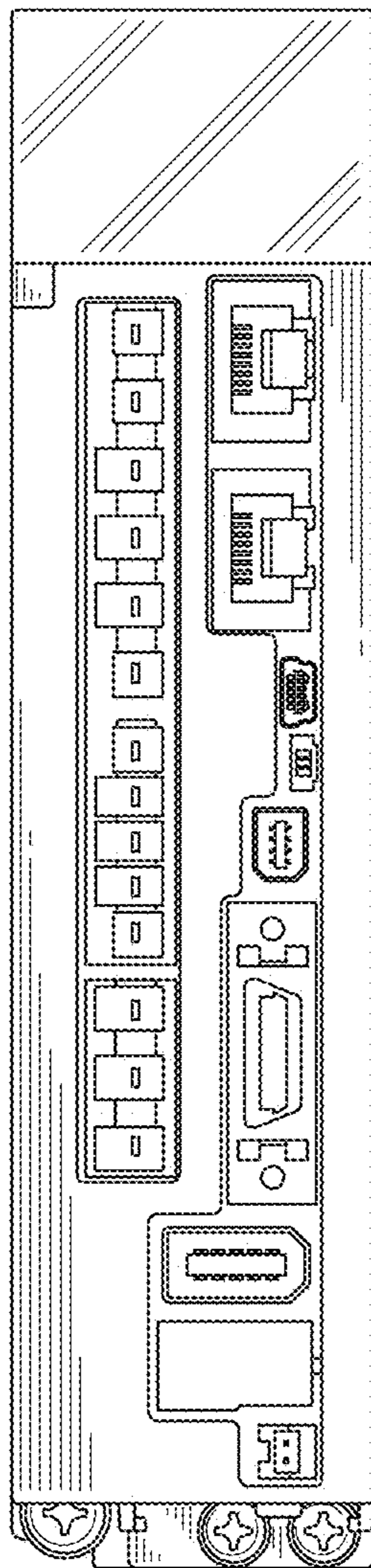




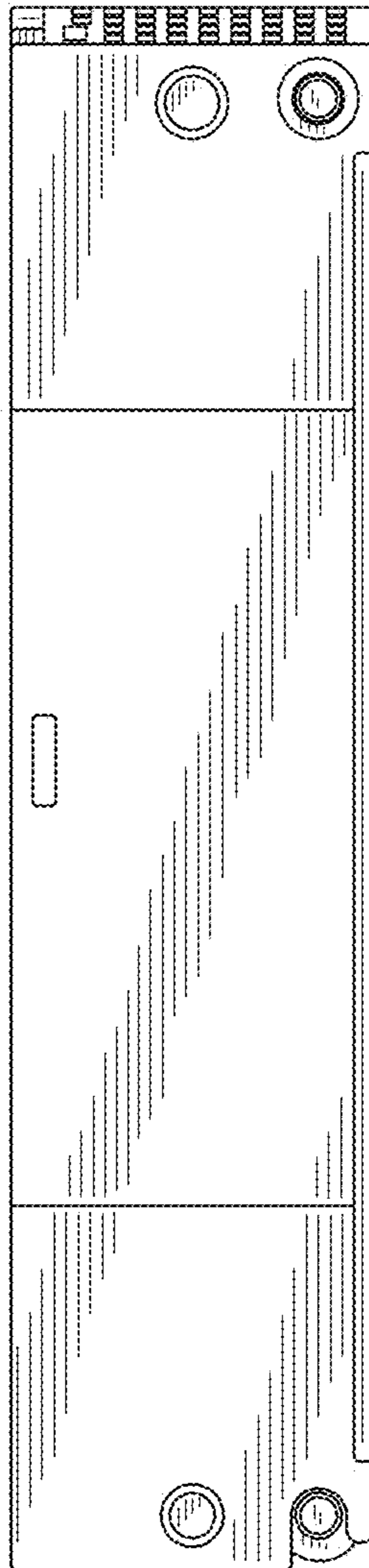
**FIG. 2**



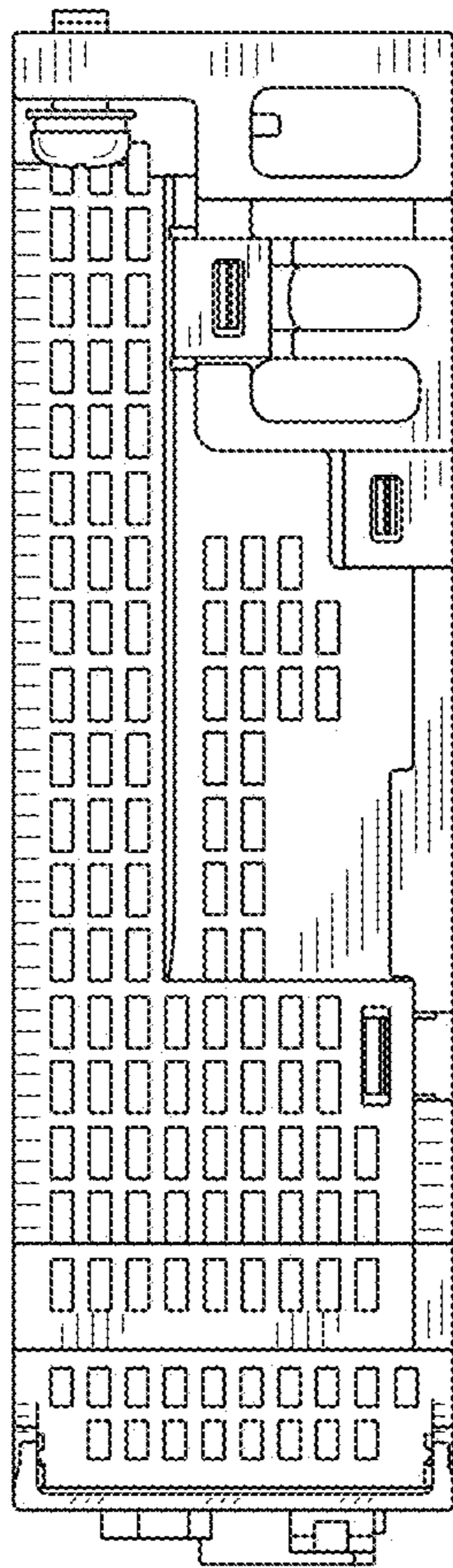
**FIG. 3**



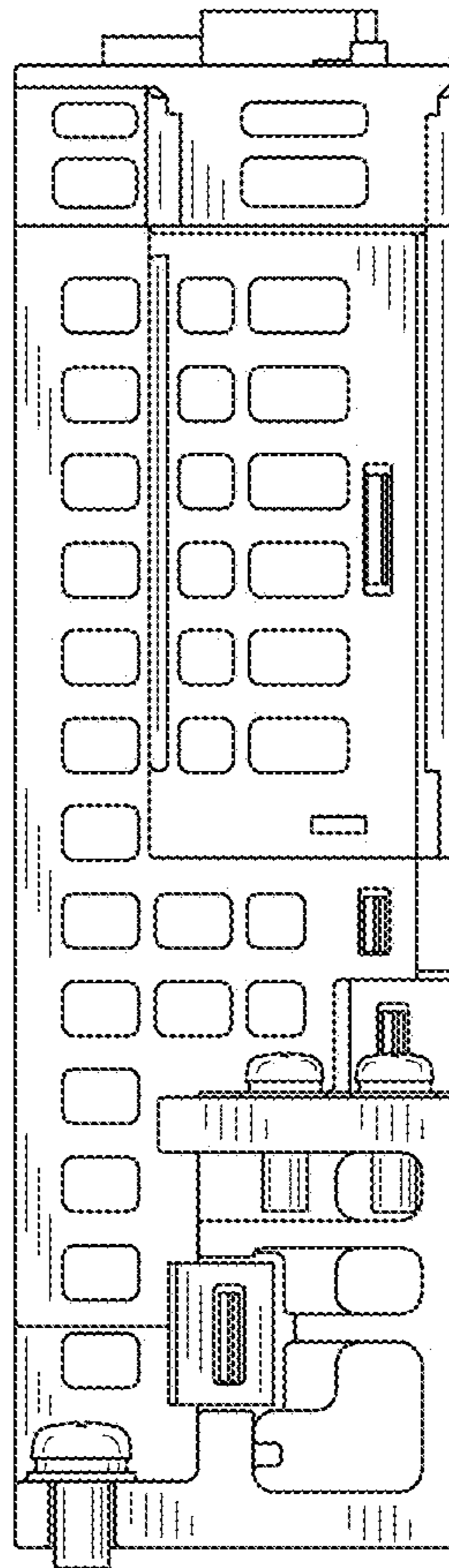
***FIG. 4***



**FIG. 5**

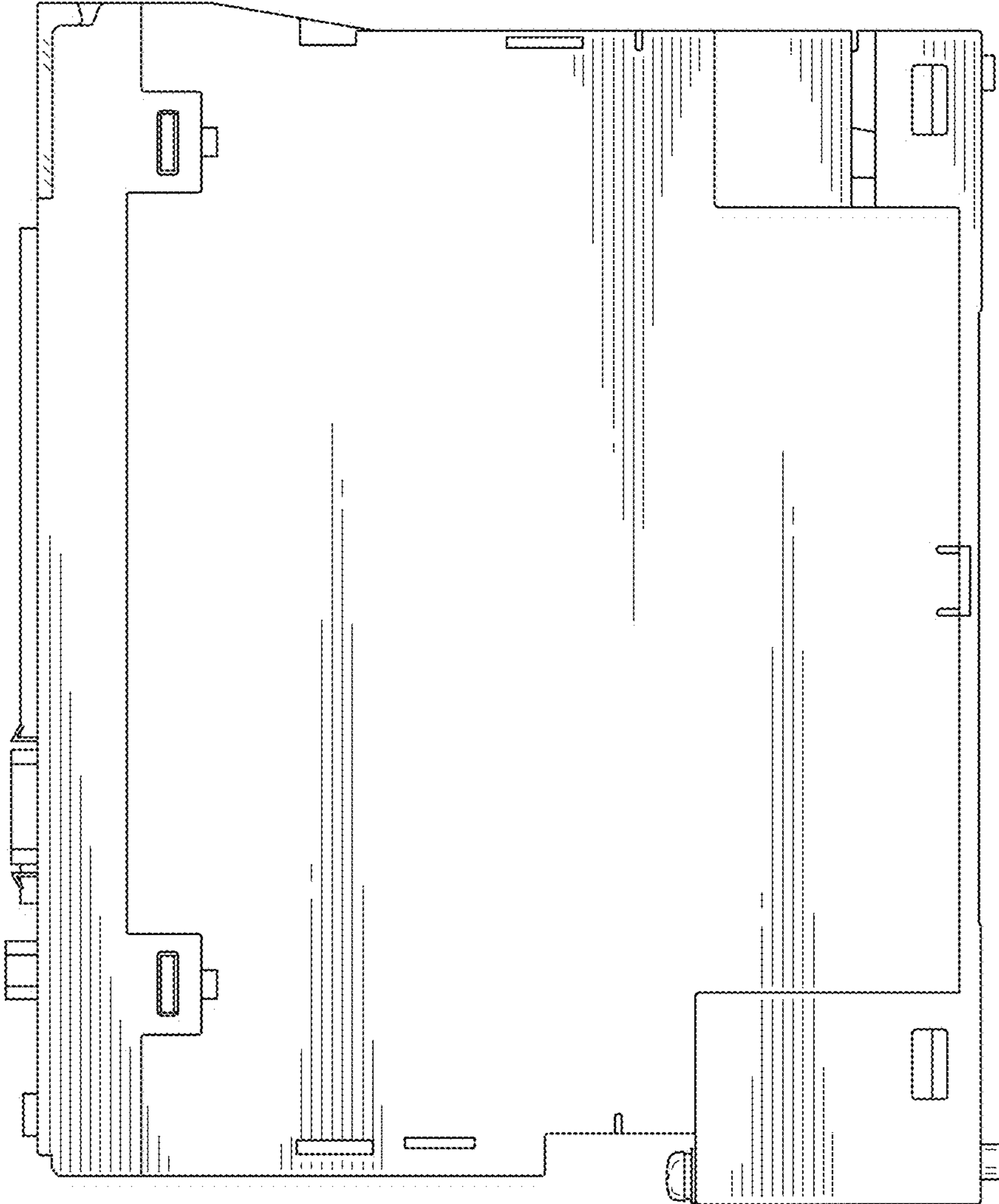


***FIG. 6***





**FIG. 7**



**FIG. 8**

