



US00D906959S

(12) **United States Design Patent**
Turksu et al.

(10) **Patent No.:** **US D906,959 S**
(45) **Date of Patent:** **** Jan. 5, 2021**

(54) **CHARGING ADAPTER**

(71) Applicant: **SARIANA, LLC**, San Diego, CA (US)

(72) Inventors: **Alan Turksu**, San Diego, CA (US);
Mustafa Burak Guclu, San Diego, CA (US)

(73) Assignee: **SARIANA, LLC**, San Diego, CA (US)

(**) Term: **15 Years**

(21) Appl. No.: **29/697,108**

(22) Filed: **Jul. 3, 2019**

(51) **LOC (13) Cl.** **13-02**

(52) **U.S. Cl.**
USPC **D13/108**

(58) **Field of Classification Search**
USPC D13/107-110, 118-119, 184; D14/223,
D14/205, 206, 217, 219, 226, 440, 251,
D14/253, 432, 434; D3/294, 201;
D29/112
CPC Y02E 60/12; Y02T 90/14; Y02T 90/122;
Y02T 90/128; Y02T 90/163; H02J 7/025;
H02J 7/0042; H02J 7/0044; H02J 7/0045;
H02J 7/0013; H02J 7/0003; H01F 38/14;
H01R 13/6675; H01M 2/1022; H01M
2/1055; H01M 10/44; H01M 10/46;
H01M 10/425; B60L 11/182
See application file for complete search history.

(56) **References Cited**

U.S. PATENT DOCUMENTS

1,165,840 A	12/1915	Brutus
1,359,347 A	11/1920	Fleisher
1,475,605 A	11/1923	Smith
1,550,588 A	8/1925	Soldani
1,646,562 A	10/1927	Snow
1,671,862 A	5/1928	Heinz
D137,618 S	4/1944	Rolfes
D147,151 S	7/1947	Schinske

2,436,292 A	2/1948	De Mott
2,629,023 A	2/1953	La Fitte
D182,462 S	4/1958	Gallion
2,878,324 A	3/1959	Guerrero
2,987,585 A	6/1961	Abysalh
3,224,644 A	12/1965	Davis

(Continued)

OTHER PUBLICATIONS

Aceluxe Arm R1 Hinge Holder Stand For Table Device And Any Smartphone, amazon online, no post date, [URL: <https://uedata.amazon.com/Aceluxe-Holder-Tablet-Device-Smartphone/dp/B014I15SYY>] [Retreived from Internet on Feb. 12, 2019].

(Continued)

Primary Examiner — Nathaniel D. Buckner

(74) *Attorney, Agent, or Firm* — Wagenknecht IP Law Group, PC

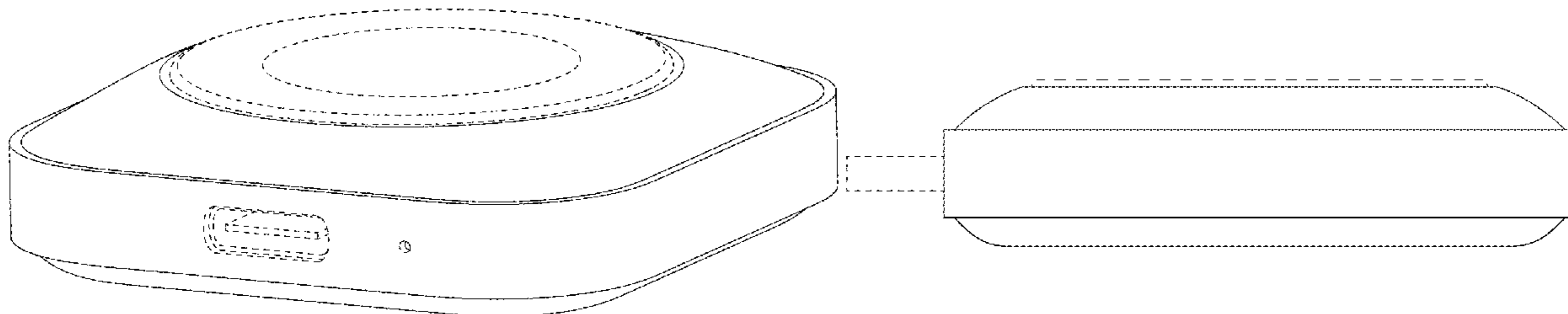
(57) **CLAIM**

The ornamental design for a charging adapter, as shown and described.

DESCRIPTION

FIG. 1 is a top, front and left perspective view of a charging adapter showing our new design;
FIG. 2 is a top plan view thereof;
FIG. 3 is a bottom plan view thereof;
FIG. 4 is a right side elevational view thereof;
FIG. 5 is a left side elevational view thereof;
FIG. 6 is a front elevational view thereof;
FIG. 7 is a rear elevational view thereof;
FIG. 8 is a top front left perspective view thereof, shown in an environment of use; and,
FIG. 9 is a top front left perspective view thereof, shown in a second environment of use.
The broken lines in the figures depict portions of the charging adapter and environmental subject matter which form no part of the claimed design.

1 Claim, 7 Drawing Sheets



(56)

References Cited

U.S. PATENT DOCUMENTS

D223,304 S	4/1972	Doggart	D554,115 S	10/2007	Liu et al.
D223,924 S	6/1972	Andelson	D559,848 S	1/2008	Siu
3,693,923 A	9/1972	Ayoub et al.	D559,849 S	1/2008	Siu
3,695,568 A	10/1972	Hogrebe	D559,850 S	1/2008	Lye
D227,117 S	6/1973	Breger	D560,165 S	1/2008	Matityahu et al.
D230,014 S	1/1974	Edgell	D560,166 S	1/2008	Andre et al.
4,060,697 A	11/1977	Neal	D561,345 S	2/2008	Flick
D254,594 S	4/1980	Picard	D564,501 S	3/2008	Rath
D273,840 S	5/1984	Morita	D571,805 S	6/2008	Leung et al.
D277,418 S	1/1985	Hemrich, Jr. et al.	D577,008 S	9/2008	Andre et al.
4,527,018 A	7/1985	Offredi	D580,436 S	11/2008	Kiyomiya et al.
D285,772 S	9/1986	Oliver	D580,438 S	11/2008	Kuchler
D286,636 S	11/1986	Cooke et al.	D580,932 S	11/2008	Tzou et al.
D294,231 S	2/1988	Cameron, Jr. et al.	D585,060 S	1/2009	Han
4,856,746 A	8/1989	Wrobel et al.	D585,543 S	1/2009	Yodfat et al.
D308,870 S	6/1990	Rioux, Jr.	D587,706 S	3/2009	Maiers et al.
D320,992 S	9/1991	Jondelius	7,499,271 B2	3/2009	Wagatsuma et al.
5,095,382 A	3/1992	Abe	D591,270 S	4/2009	Jakobson et al.
D325,578 S	4/1992	Daido et al.	D592,632 S	5/2009	Lee
D329,370 S	9/1992	Manning	D593,103 S	5/2009	Richter
5,144,290 A	9/1992	Honda et al.	D593,998 S	6/2009	Bentley et al.
D341,567 S	11/1993	Acker et al.	D595,697 S	7/2009	Mao et al.
5,367,570 A	11/1994	Figuroa	D599,331 S	9/2009	Bentley et al.
D353,532 S	12/1994	Miller	D600,640 S *	9/2009	Stein D13/103
D355,913 S	2/1995	Chong	D600,925 S	9/2009	Guffey et al.
D357,016 S	4/1995	Li et al.	D601,490 S	10/2009	Zhu et al.
D357,248 S	4/1995	Cheng	D601,564 S	10/2009	Maeno
D361,987 S	9/1995	Yamazaki	D601,583 S	10/2009	Andre et al.
D362,244 S	9/1995	Takemasa	D602,008 S	10/2009	Bentley et al.
D369,149 S	4/1996	Chang et al.	D602,891 S	10/2009	Luo
D371,793 S	7/1996	Patton	D602,911 S	10/2009	Wang et al.
D387,784 S	12/1997	Nakamura	D602,917 S	10/2009	Bentley
D395,280 S	6/1998	Phelps	D602,940 S	10/2009	McLean
5,814,968 A	9/1998	Lovegreen et al.	D604,725 S	11/2009	Chen
D400,429 S	11/1998	Morita	D606,549 S	12/2009	He
D405,064 S	2/1999	Iino	D610,156 S	2/2010	Mudrick
D407,985 S	4/1999	Pimentel	D612,868 S	3/2010	Morabito
D412,160 S	7/1999	Nelson	D618,240 S *	6/2010	Larmour D14/358
D413,574 S	9/1999	Goto	D627,306 S	11/2010	Charleux
D426,491 S	6/2000	Chan	7,841,876 B2	11/2010	Lin et al.
D429,307 S	8/2000	Wu et al.	D631,051 S	1/2011	DeFronzo
D430,882 S	9/2000	Tsai	D633,503 S	3/2011	Bo et al.
D432,496 S	10/2000	Collins	D635,978 S	4/2011	Chen
D433,005 S	10/2000	McGugan	D641,753 S	7/2011	Obata
D435,835 S	1/2001	Steck	D642,585 S	8/2011	Lan et al.
D438,451 S	3/2001	Reiter	D645,027 S	9/2011	Gougherty et al.
D441,639 S	5/2001	Reiter	D646,682 S	10/2011	Lim et al.
D446,209 S	8/2001	Hickford et al.	D646,683 S	10/2011	Tao et al.
6,321,340 B1	11/2001	Shin et al.	D648,270 S	11/2011	Jiang
D461,400 S	8/2002	Aoki	D650,377 S	12/2011	Akana et al.
D461,794 S	8/2002	Polito et al.	D657,305 S	4/2012	Nomi et al.
D464,482 S	10/2002	Shiu	D658,640 S	5/2012	Ivaskevicius
D464,562 S	10/2002	Reiter	D659,087 S	5/2012	Nomi et al.
D464,972 S	10/2002	Carrasco, Jr.	D659,094 S	5/2012	Brand et al.
D478,086 S	8/2003	Chuang	D659,638 S	5/2012	Wang
D478,087 S	8/2003	Aldridge	D660,834 S	5/2012	Akana et al.
D479,709 S	9/2003	Cocks et al.	D661,249 S	6/2012	Smith et al.
6,612,534 B2	9/2003	Hennessey	D662,089 S	6/2012	Gougherty et al.
D482,674 S	11/2003	Rath et al.	D663,300 S	7/2012	Kim et al.
D484,128 S	12/2003	Chung	D664,146 S	7/2012	Hoehn et al.
D492,307 S	6/2004	Aqqad et al.	D665,734 S	8/2012	Fitch et al.
D496,029 S	9/2004	Skulley et al.	D669,473 S	10/2012	Gronau et al.
D508,899 S	8/2005	Suzuki	D669,888 S	10/2012	Gougherty et al.
D511,985 S	11/2005	Kelly, Jr.	D670,291 S	11/2012	Dalton
D512,417 S	12/2005	Hirakawa et al.	D670,297 S	11/2012	Huang
D515,040 S	2/2006	Jones et al.	D671,096 S	11/2012	Song et al.
D518,030 S	3/2006	Lin	D671,528 S	11/2012	Fathollahi
D522,531 S	6/2006	Solomon et al.	D677,259 S	3/2013	van der Lande
D526,973 S	8/2006	Gates et al.	D678,286 S	3/2013	Cheng
D530,525 S	10/2006	Greene, II	D683,251 S	5/2013	Dumas et al.
D531,190 S	10/2006	Lee et al.	D683,703 S	6/2013	Akana et al.
D531,619 S	11/2006	Chau	D684,145 S	6/2013	Rath
D544,463 S	6/2007	Harris	D684,957 S	6/2013	Smith et al.
D550,196 S	9/2007	Griffin et al.	D684,976 S	6/2013	Akana et al.
D553,106 S	10/2007	Griffin	D685,806 S	7/2013	Kim et al.
			D686,201 S	7/2013	Lee
			D687,009 S	7/2013	Song et al.
			D688,198 S	8/2013	Takeshita et al.
			D688,248 S	8/2013	Tsuda et al.

(56)

References Cited

U.S. PATENT DOCUMENTS

D688,255 S	8/2013	Daniel	D750,633 S	3/2016	Minn et al.
8,512,079 B2	8/2013	Vroom et al.	D751,527 S	3/2016	Hinokio et al.
D689,858 S	9/2013	Lo et al.	D751,564 S	3/2016	Hahn et al.
D690,707 S	10/2013	Minn et al.	D751,985 S	3/2016	Curry
D691,879 S	10/2013	Bernard	D753,090 S	4/2016	Langhammer et al.
D691,947 S	10/2013	Cole et al.	D754,131 S	4/2016	Shim
D692,024 S	10/2013	Seong et al.	D756,367 S	5/2016	Kim
D693,768 S	11/2013	Alesi et al.	D756,915 S	5/2016	Yang
D694,182 S	11/2013	Lee et al.	D756,990 S	5/2016	Akana et al.
D696,673 S	12/2013	Vogel	D762,170 S	7/2016	Lei
D698,789 S	2/2014	Daniel	D763,790 S	8/2016	Lei
D699,241 S	2/2014	Moors et al.	D765,623 S	9/2016	Yang et al.
D700,904 S	3/2014	Miller et al.	D765,651 S	9/2016	Liu et al.
D701,838 S	4/2014	Esses	D766,844 S	9/2016	Turksu et al.
D702,146 S	4/2014	Giovanni	D767,486 S	9/2016	Yu
D702,242 S	4/2014	Tsuda et al.	9,441,659 B2	9/2016	Ortwein
D703,676 S	4/2014	Smith et al.	D769,860 S	10/2016	Xiao
D704,177 S	5/2014	Chun et al.	D769,877 S	10/2016	Akana et al.
D705,189 S	5/2014	Chovin et al.	D772,216 S	11/2016	Lau
D705,748 S	5/2014	He	D772,878 S	11/2016	Chiang
D706,248 S	6/2014	Myung et al.	D772,879 S	11/2016	Eliyahu
D706,249 S	6/2014	Holzer	D774,514 S	12/2016	Turksu et al.
D707,667 S	6/2014	Kono et al.	D774,934 S	12/2016	Akana et al.
8,758,032 B2	6/2014	Liang et al.	D775,534 S	1/2017	Turksu et al.
D709,066 S	7/2014	Byun	D776,659 S	1/2017	Hou
D709,892 S	7/2014	Lui	D778,714 S	2/2017	McSweyn et al.
8,777,656 B2	7/2014	Kuo et al.	D779,478 S	2/2017	Justiss et al.
D711,884 S	8/2014	Turksu et al.	D779,493 S	2/2017	Eliyahu
8,838,029 B2	9/2014	Goldman et al.	D780,116 S	2/2017	Bing
D714,729 S	10/2014	Akana et al.	D780,168 S	2/2017	Du
D715,132 S	10/2014	McSweyn et al.	D780,186 S	2/2017	Lee
D715,219 S	10/2014	Cepress et al.	D780,901 S	3/2017	Huang
D715,797 S	10/2014	Hiraga	D781,297 S	3/2017	Liao
D716,300 S	10/2014	Cruz et al.	D782,476 S	3/2017	Yamazaki
D717,803 S	11/2014	Takano et al.	D782,485 S	3/2017	Cai
D718,234 S	11/2014	Rautiainen	D782,973 S	* 4/2017	Zhou D13/108
D718,236 S	11/2014	Murray	D783,592 S	4/2017	Ju
D718,271 S	11/2014	McTague et al.	D783,619 S	4/2017	Couture et al.
D718,612 S	12/2014	McSweyn et al.	D786,791 S	5/2017	Jeong et al.
D720,347 S	12/2014	Lo	D786,874 S	5/2017	Eliyahu
D720,691 S	1/2015	Lo et al.	D786,885 S	5/2017	Eliyahu
D720,755 S	1/2015	Nokuo	D788,034 S	5/2017	Gschwandtl et al.
D724,060 S	3/2015	Ahn et al.	D788,080 S	5/2017	Turksu et al.
D724,080 S	3/2015	Lin et al.	D788,112 S	5/2017	Liao
D725,088 S	3/2015	Kwak et al.	D789,348 S	6/2017	Kim
D726,161 S	4/2015	Howard et al.	D790,458 S	6/2017	He et al.
D727,259 S	* 4/2015	Hwang D13/108	D790,464 S	6/2017	He et al.
D727,906 S	4/2015	Neumann	9,690,743 B2	6/2017	Eliyahu
D728,467 S	5/2015	Hasbrook	D791,038 S	7/2017	Piscitelli et al.
D729,277 S	5/2015	Uchida	D791,070 S	7/2017	Son et al.
D729,773 S	5/2015	Salojarvi et al.	D791,076 S	7/2017	Kim et al.
D733,043 S	6/2015	Hasbrook et al.	D792,220 S	7/2017	Simons et al.
D733,144 S	6/2015	Kostrzewski et al.	D793,397 S	8/2017	Eliyahu
D733,773 S	7/2015	Lee et al.	D794,028 S	8/2017	Lin
D736,150 S	8/2015	Liu	D795,876 S	8/2017	Fletcher et al.
D737,201 S	8/2015	Liu	D796,433 S	9/2017	Langhammer et al.
D738,303 S	9/2015	Symons	D796,514 S	9/2017	Xu
D738,823 S	* 9/2015	Chen D13/108	D796,916 S	9/2017	McFarland et al.
D738,945 S	9/2015	Culbertson et al.	D797,099 S	* 9/2017	Wieser D14/358
D739,708 S	9/2015	McSweyn et al.	D797,747 S	9/2017	Xu
D740,291 S	10/2015	Turksu et al.	D797,751 S	9/2017	Houston et al.
D741,256 S	10/2015	Murphy-Reinhertz et al.	D798,301 S	9/2017	Kujawski et al.
D743,382 S	11/2015	Katori	D798,811 S	10/2017	Liao
D743,924 S	11/2015	Hillenmayer et al.	D799,423 S	10/2017	Eliyahu
D743,954 S	11/2015	Chuang et al.	D799,463 S	10/2017	Deng
D745,010 S	12/2015	Kim	D799,464 S	10/2017	Zaihui
D746,165 S	12/2015	Li	D800,730 S	10/2017	Liao
D746,166 S	12/2015	Li	D802,404 S	11/2017	Turksu et al.
D746,780 S	1/2016	Akana et al.	D803,779 S	11/2017	Jung et al.
D747,229 S	1/2016	Perez	D804,306 S	12/2017	Simons et al.
D747,267 S	1/2016	Aumiller et al.	D804,978 S	12/2017	Chao et al.
D747,984 S	1/2016	Zhao et al.	D806,657 S	* 1/2018	Russo D13/168
D748,463 S	2/2016	Turksu	D807,290 S	1/2018	Liao
D750,083 S	2/2016	Chow	D809,793 S	2/2018	Hahn et al.
D750,612 S	3/2016	Chen	D812,560 S	* 3/2018	Xu D13/107
			D812,577 S	3/2018	Turksu et al.
			D813,803 S	3/2018	Massar
			D813,805 S	3/2018	Zhong
			D813,875 S	3/2018	Liao

(56)

References Cited

U.S. PATENT DOCUMENTS

D814,413 S 4/2018 Zhong
 D815,036 S 4/2018 Martorell
 D815,639 S 4/2018 Lau
 D816,026 S 4/2018 Georgiades
 D816,027 S 4/2018 Chen
 D816,030 S 4/2018 Sumida
 D816,606 S * 5/2018 Georgiades D13/108
 D817,199 S 5/2018 Farley et al.
 D820,208 S 6/2018 Lemelson et al.
 D820,209 S 6/2018 Lemelson et al.
 D820,264 S 6/2018 Lai et al.
 D824,328 S 7/2018 Liu
 D826,942 S 8/2018 Lu
 10,045,568 B2 8/2018 Monsees et al.
 10,058,130 B2 8/2018 Monsees et al.
 D827,568 S 9/2018 Turksu et al.
 D828,354 S 9/2018 Chuang et al.
 D828,356 S 9/2018 Xie
 D828,839 S 9/2018 Zhang
 D828,840 S 9/2018 Zhang
 D828,841 S 9/2018 Zhang
 D829,215 S 9/2018 Magargee et al.
 D829,216 S 9/2018 Belitz et al.
 D829,719 S 10/2018 Hutton et al.
 D829,725 S 10/2018 Luo
 D830,297 S 10/2018 Huang
 D830,366 S 10/2018 Turksu et al.
 D831,875 S 10/2018 Sperling
 D832,260 S 10/2018 Hutton et al.
 D836,640 S 12/2018 Hou
 D839,869 S 2/2019 Wang
 D839,876 S 2/2019 Turksu et al.
 D844,006 S 3/2019 Molnar
 D845,897 S 4/2019 Kim
 D845,931 S * 4/2019 Kosuge D14/218
 D847,139 S 4/2019 Wang
 D847,811 S 5/2019 Shim
 D849,678 S 5/2019 Kojima et al.
 D850,371 S * 6/2019 Yun D13/108
 D850,372 S 6/2019 Kong et al.
 D852,176 S * 6/2019 Moon D14/240
 D852,738 S 7/2019 Backett et al.
 D853,396 S 7/2019 Kong et al.
 D854,019 S 7/2019 Liao
 D854,509 S 7/2019 Wu
 D854,544 S 7/2019 Liao
 D855,054 S 7/2019 Turksu et al.
 D855,616 S 8/2019 Chin
 D859,415 S 9/2019 Liao
 10,405,582 B2 9/2019 Hatton et al.
 D862,385 S 10/2019 Turksu et al.
 D862,473 S 10/2019 Liu et al.
 D862,474 S 10/2019 Liu
 D863,310 S 10/2019 Liao
 D864,205 S 10/2019 Wang
 D864,206 S 10/2019 Wang
 D864,208 S 10/2019 Duan
 D864,209 S 10/2019 Wang
 D864,861 S 10/2019 Roberts
 D864,964 S 10/2019 Lyu
 D864,965 S 10/2019 Sang
 D864,966 S 10/2019 Sang
 D864,967 S 10/2019 Liu
 D865,664 S 11/2019 Liao
 D865,666 S 11/2019 Roberts
 D865,667 S 11/2019 Roberts
 D865,676 S 11/2019 Liao
 D865,768 S 11/2019 Du et al.
 D866,557 S 11/2019 Xiong
 D868,036 S 11/2019 Sohn et al.
 D868,742 S 12/2019 Cao
 D868,784 S 12/2019 Turksu et al.
 D869,426 S 12/2019 Sandlund
 D869,467 S 12/2019 Lin
 D871,328 S 12/2019 Yang

D871,332 S 12/2019 Liao
 D872,016 S 1/2020 Liao
 D872,078 S 1/2020 Wu
 D875,041 S 2/2020 Chen et al.
 D876,356 S * 2/2020 Tanaka D13/123
 D876,441 S 2/2020 Boehmer et al.
 D877,068 S 3/2020 Wang
 D879,716 S 3/2020 Chuang et al.
 D881,121 S 4/2020 Roberts
 D882,577 S 4/2020 Liao
 D883,923 S 5/2020 Keferstein
 D883,925 S 5/2020 Yoon
 D885,341 S 5/2020 Xu
 D885,395 S 5/2020 Duan
 D887,974 S 6/2020 Chen et al.
 2002/0003875 A1 1/2002 Stewart et al.
 2003/0148656 A1 8/2003 Huang
 2005/0245254 A1 11/2005 Hall
 2006/0085584 A1 4/2006 Chen et al.
 2010/0315041 A1 12/2010 Tan
 2012/0255505 A1 10/2012 Gauthier
 2013/0072042 A1 3/2013 Liao
 2013/0130524 A1 5/2013 Wang
 2013/0224976 A1 8/2013 Yu et al.
 2013/0272775 A1 10/2013 Ortwein
 2013/0292481 A1 11/2013 Filson et al.
 2014/0138419 A1 5/2014 Minn et al.
 2015/0171386 A1 6/2015 Yang et al.
 2017/0035172 A1 2/2017 Kim
 2017/0170858 A1 6/2017 Tiller et al.
 2017/0223862 A1 8/2017 Justiss et al.
 2018/0034295 A1 2/2018 Massar
 2018/0165053 A1 6/2018 Kuo et al.
 2018/0314664 A1 11/2018 Liao
 2019/0196545 A1 6/2019 Tarui
 2020/0014161 A1 1/2020 Liao
 2020/0059114 A1 2/2020 Langlois et al.

OTHER PUBLICATIONS

Pecham Multi-Angle Stand for Cell Phone, amazon online, first review with picture posted Jun. 28, 2017 [URL: <https://www.amazon.com/PECHAM-Multi-Angle-Nintendo-Smartphones-Universal/dp/B072JCY5XY>] [Retrieved from Internet on Feb. 12, 2019].
 Sariana, LLC, US Registration No. 5,134,820, Jan. 31, 2017.
 Satechi Aluminum Multi-Port Adapter V2-4K HDMI, Satechi, first listed on amazon.com on Sep. 17, 2017, retrieved on Dec. 3, 2018, [retrieved from the Internet] URL: https://www.amazon.com/Satechi-Aluminum-Multi-Port-Ethernet-Pass-Through/dp/B075FW7H5J/ref=sr_1_3?ie=UTF8&qid=1543853703&sr=8-3&keywords=satechi+adapter.
 Satechi R1 Arm Series Review, YouTube online, post date Mar. 27, 2012, [URL: <https://www.youtube.com/watch?v=edjrferhELk>].
 Turksu et al. "Certificate of Registration for European Community Design Registration No. 003618826-0001," Registration Date: Jan. 11, 2017. EUIPO.
 Turksu et al. "Certificate of Registration for European Community Design Registration No. 003618834-0001," Registration Date: Jan. 11, 2017. EUIPO.
 UGREEN USB C Hub VGA Type C Multiport Adapter, UGREEN, first available on amazon.com on Apr. 7, 2018, retrieved on Dec. 3, 2018, [retrieve from the Internet], URL: https://www.amazon.com/UGREEN-Multiport-Delivery-Charging-Chromebook/dp/B076WX1VKZ/ref=sr_1_1_sspa?ie=UTF8&qid=1543851422&sr=8-1spons&keywords=ugreen+adapte.
 Wong, Thomas. "Quick Look: Satechi Premium 4 Port Aluminum," [retrieved from Internet] <http://iSource.com/2012/07/04/quick-look-satechi-premium-4-port-aluminum-usb-hub/>, Jul. 4, 2012 [retrieved from Internet on Nov. 1, 2017] 13 pgs.
 AM, Quality Materials, [Published Sep. 22, 2016] amazon.com, [Online][Accessed Jan. 28, 2019] <URL:https://www.amazon.com/Satechi-Qi-Certified-Aluminum-Wireless-Charger/product-reviews/B0114365RQ/ref=cm_cr_getr_d_paging_btm_9?ie=UTF8&reviewerType=all_reviews&sortBy=recent&pageNumber=9> (Year: 2016).

(56)

References Cited

OTHER PUBLICATIONS

Satechi Aluminum Type-C Mobile Pro Hub, online, no post date, URL: <https://satechi.net/products/aluminum-type-c-mobile-pro-hub>, retrieved Dec. 16, 2019.

Satechi Type-C Mobile Pro Hub review, The gadgeteer online, post date Jan. 1, 2019, URL: <https://the-gadgeteer.com/2019/01/01/satechi-type-c-mobile-pro-hub-review/>, retrieved Dec. 16, 2019.

Satechi Type-C Aluminum Stand and Hub (online). 17 pages, Listed Oct. 7, 2019 [retrieved Jan. 29, 2020] <https://www.amazon.com/Satechi-Type-C-Aluminum-Stand-Hub/dp/B07YSWZNNW>.

Shenzhi Tech Mini USB C Hub, online, no post date, URL: <https://www.dhgate.com/product/mini-usb-c-hub-sd-tf-card-reader-aluminum/502981050.html#seo=WAP>, retrieved Dec. 16, 2019.

Satechi Type-c USB 3.0: 3 in 1 Combo Hub for MacBook, Buy Valuable Stuff online, post date Oct. 15, 2017, URL: <https://buyvaluablestuff.com/satechi-type-c-usb-3-0-3-in-1-combo-hub/>, retrieved Dec. 16, 2019.

Satechi Type-c USB 3.0: 3 in 1 Combo Hub, online, no post date. URL: <https://satechi.net/collections/all/products/satechi-type-c-usb-3-0-3-in-1-combo-hub>, retrieved Dec. 16, 2019.

Satechi Aluminum Multi-Port Adapter V2-4K HDMI, Satechi, first listed on amazon.com on Sep. 7, 2017, retrieved on Dec. 3, 2018, [retrieved from the Internet] URL: https://www.amazon.com/Satechi-Aluminum-Multi-Port-Ethernet-Pass-Through/dp/B075FW7H5J/ref=sr_1_3?ie=UTF8&qid=1543853703&sr=8-3&keywords=satechi+adapter.

Satechi Aluminum Type-C Pro Hub Adapter with Ethernet, YouTube online, post date May 11, 2018, URL: <https://www.youtube.com/watch?v=Wl6aTgweWtQ>, retrieved Dec. 5, 2019.

* cited by examiner

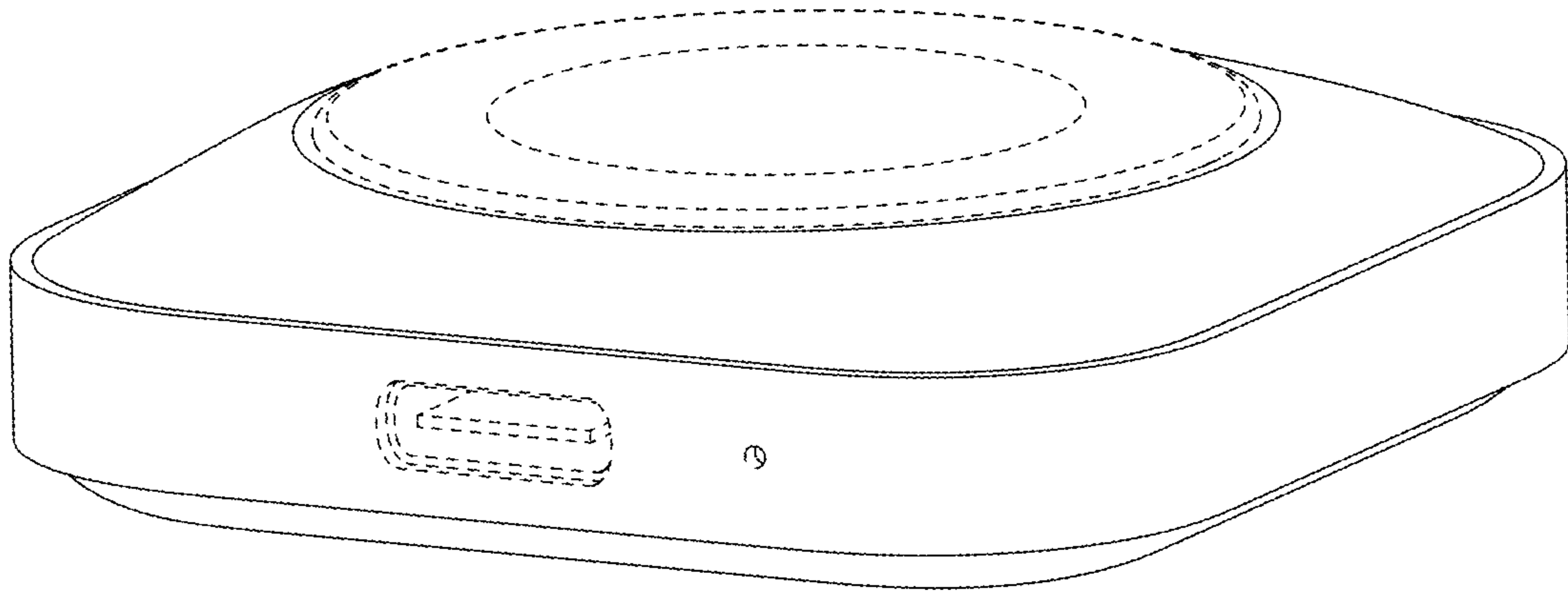


FIG. 1

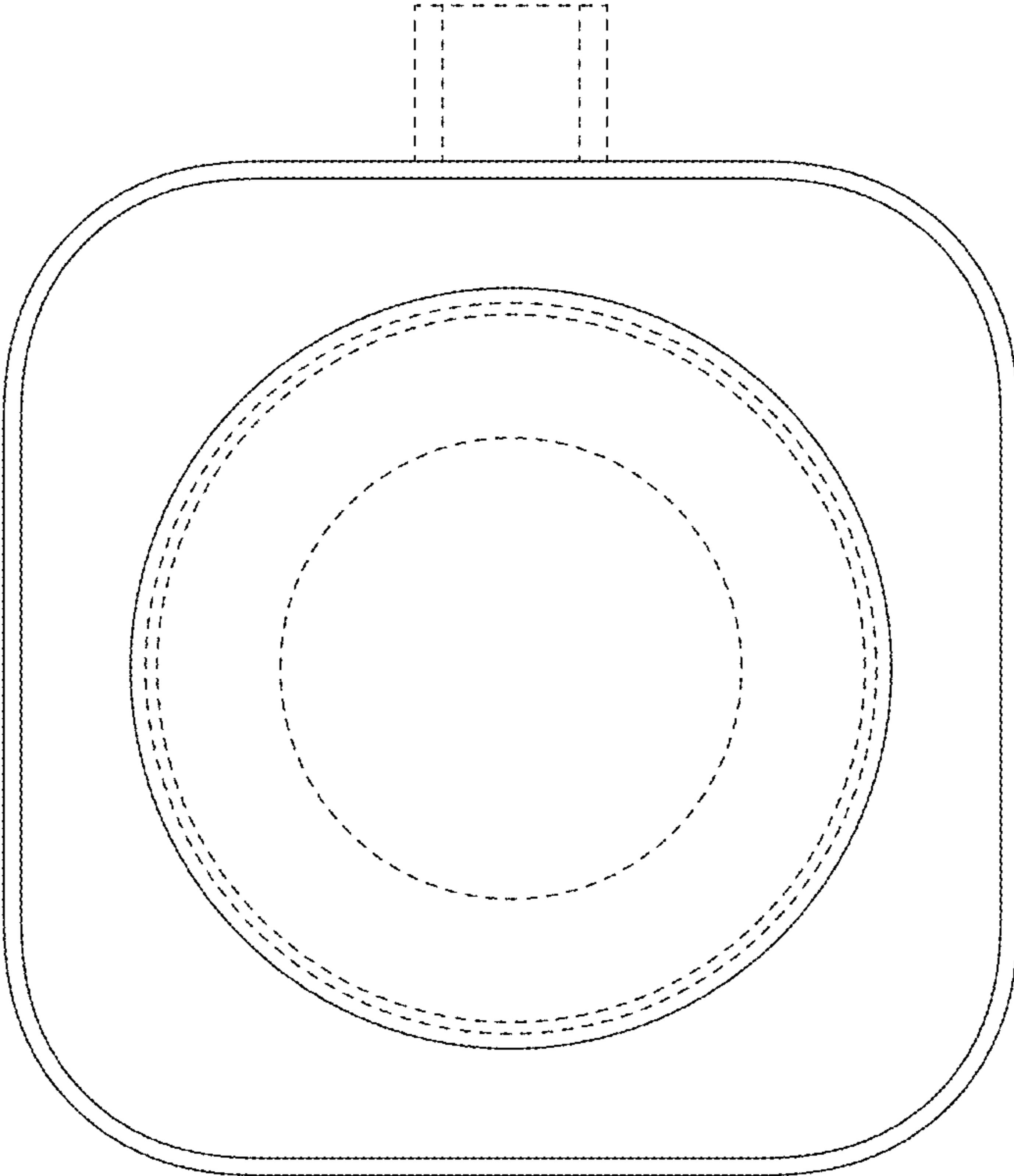


FIG. 2

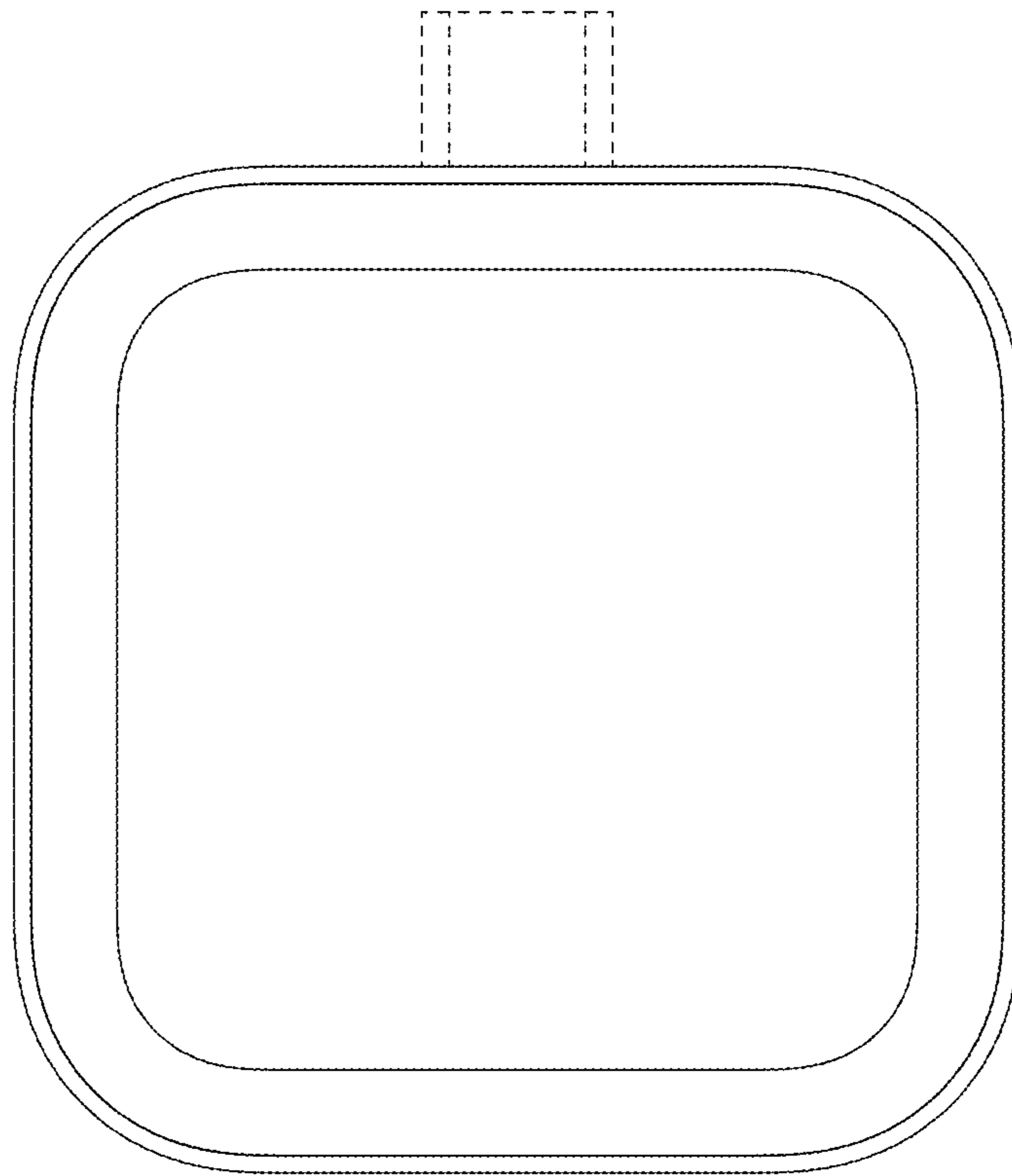


FIG. 3

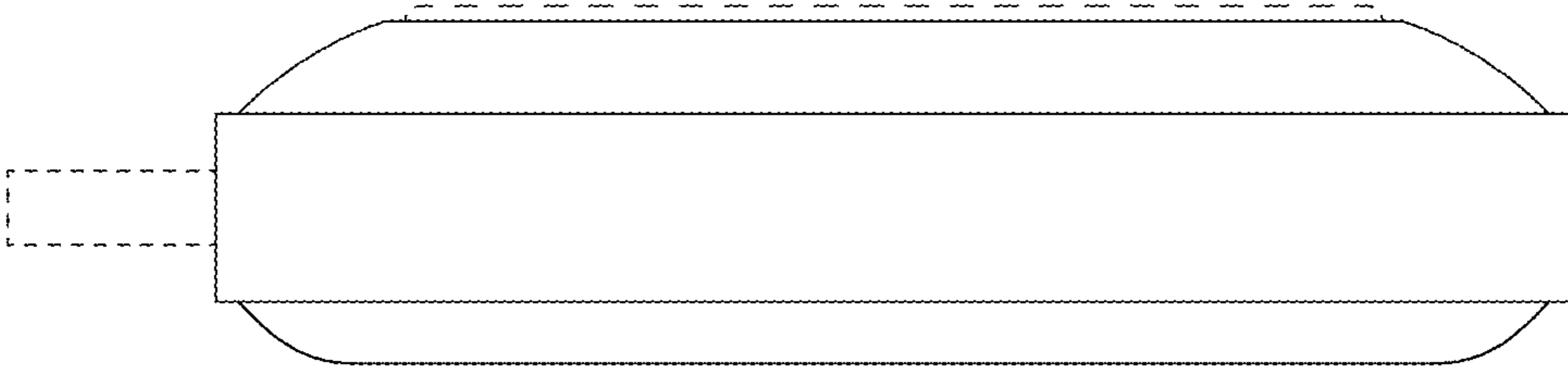


FIG. 4

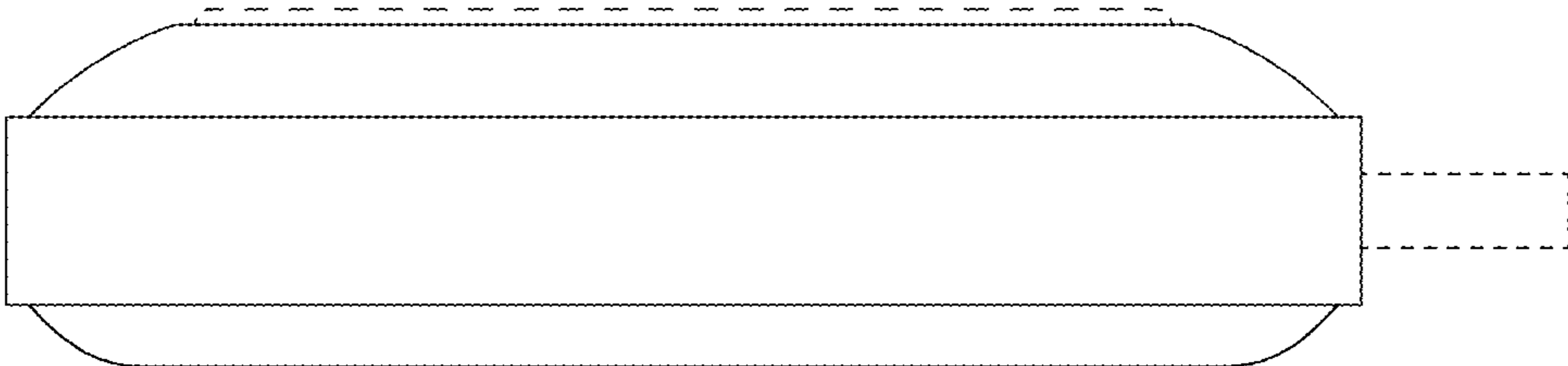


FIG. 5

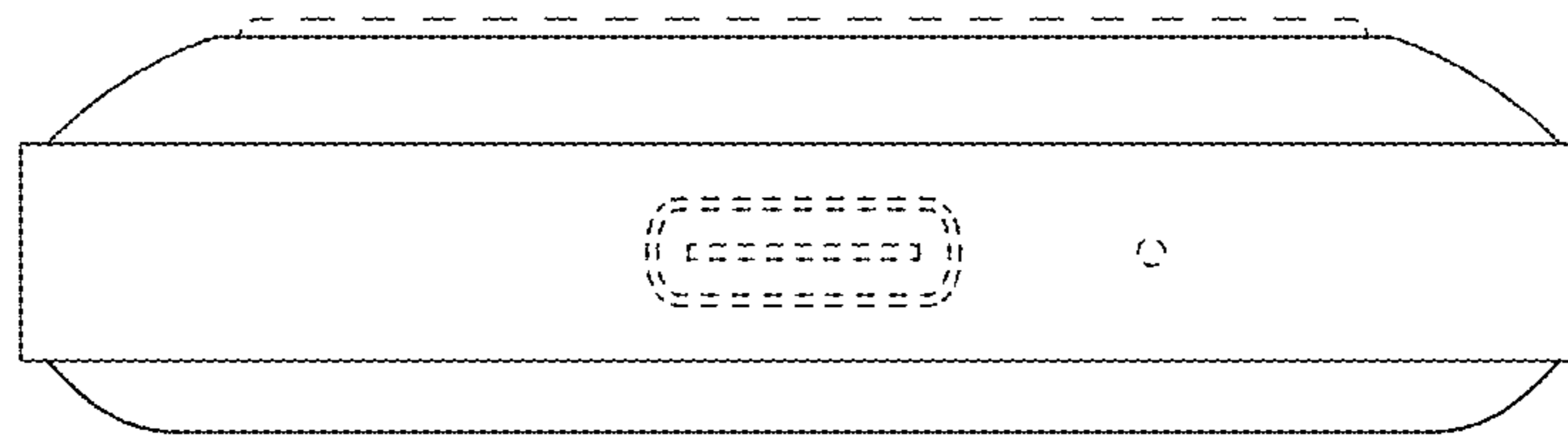


FIG. 6

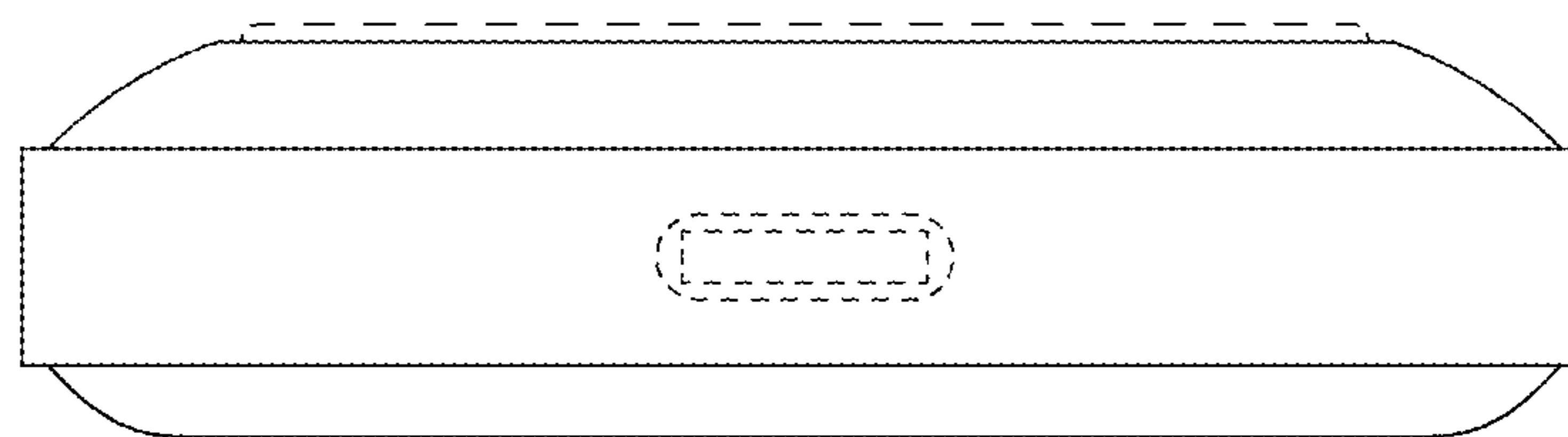


FIG. 7

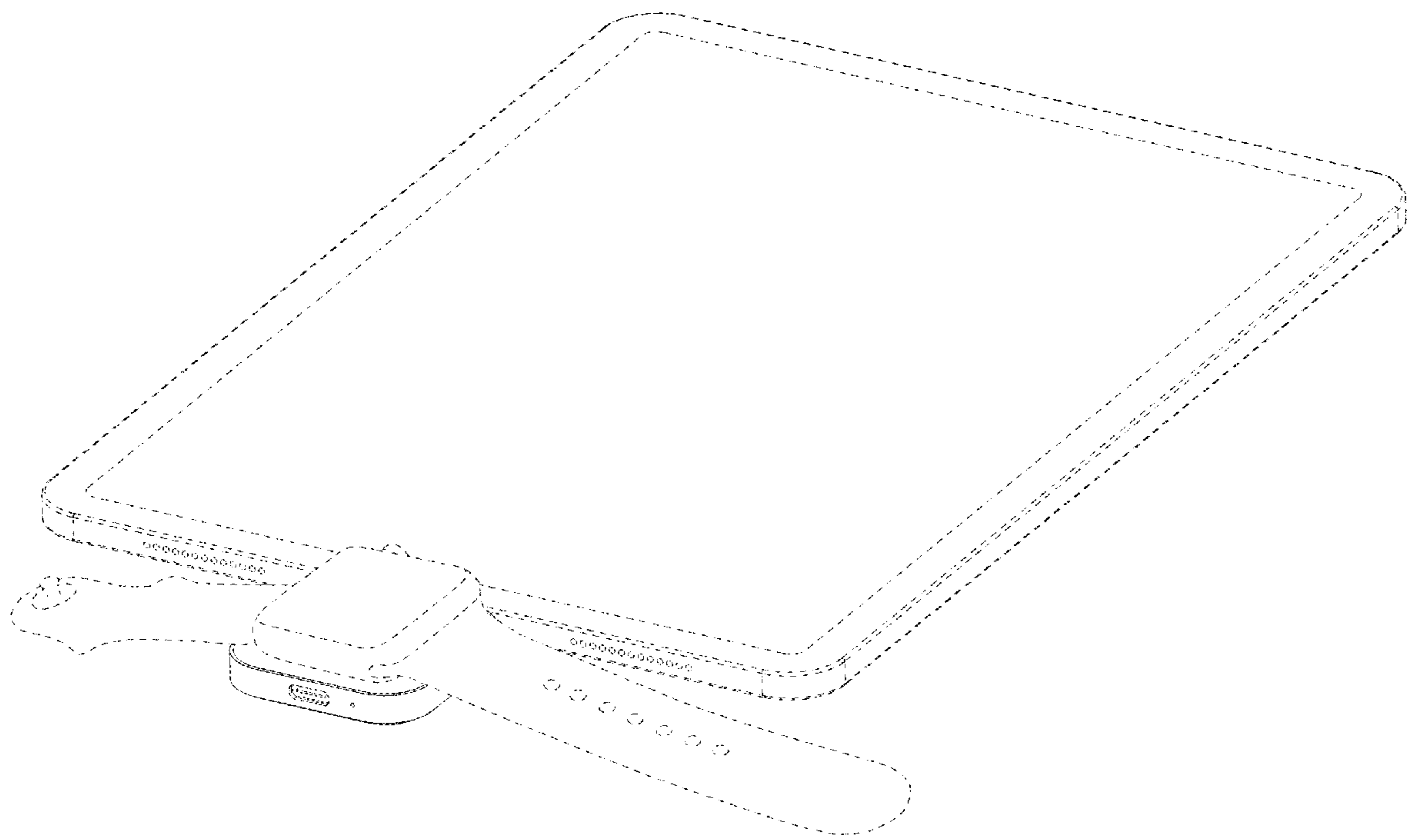


FIG. 8

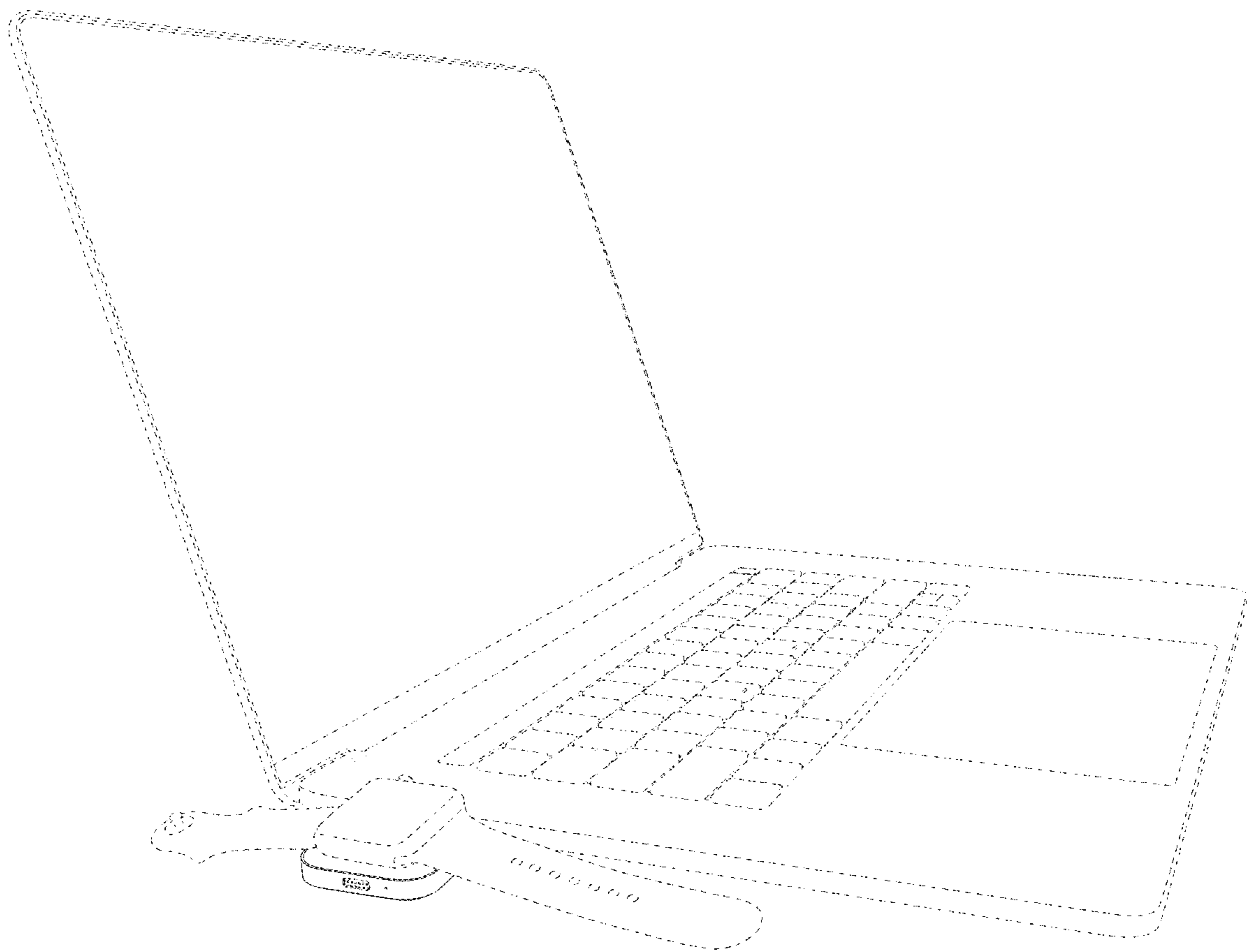


FIG. 9