

US00D906957S

(12) **United States Design Patent**
Shirts

(10) **Patent No.:** **US D906,957 S**

(45) **Date of Patent:** **** Jan. 5, 2021**

- (54) **GOLF CART BATTERY**
- (71) Applicant: **One Iron Investments, LLC**,
Washington, UT (US)
- (72) Inventor: **Casey Shirts**, Washington, UT (US)
- (73) Assignee: **One Iron Investments, LLC**,
Washington, UT (US)
- (**) Term: **15 Years**

D499,070 S *	11/2004	Lavington	D13/119
D517,987 S	3/2006	Castagnola et al.	
D647,051 S	10/2011	Qualls et al.	
D660,226 S	5/2012	Elison et al.	
D660,232 S	5/2012	Elison et al.	
D660,790 S	5/2012	Elison et al.	
D668,604 S	10/2012	Elison et al.	
D785,561 S	5/2017	Lyman	
D795,181 S	8/2017	Hahn	
D830,965 S *	10/2018	Varatharajah	D13/103
D869,388 S *	12/2019	Varatharajah	D13/103
D887,968 S *	6/2020	Ebisawa	D13/103

* cited by examiner

- (21) Appl. No.: **29/740,898**
- (22) Filed: **Jul. 8, 2020**
- (51) **LOC (13) Cl.** **13-02**
- (52) **U.S. Cl.**
USPC **D13/104**
- (58) **Field of Classification Search**
USPC D13/101-110, 118-119, 184
CPC H01M 2220/20; H01M 2010/4271; H01M
10/4257; H01M 8/04567; H01M 8/04597;
H01M 2/0247; H01M 2/1077; H01M
2/206
See application file for complete search history.

Primary Examiner — Gino Colan

(74) *Attorney, Agent, or Firm* — Gurr Brande &
Spendlove, PLLC; Robert A. Gurr

(57) **CLAIM**

The ornamental design for a golf cart battery, as shown and described.

DESCRIPTION

FIG. 1 is a top, left side perspective view of the golf cart battery;
 FIG. 2 is a left side elevation view of the golf cart battery;
 FIG. 3 is a rear elevation view of the golf cart battery;
 FIG. 4 is a right side elevation view of the golf cart battery;
 FIG. 5 is a front elevation view of the golf cart battery;
 FIG. 6 is a top plan view of the golf cart battery; and,
 FIG. 7 is bottom plan view of the golf cart battery.
 The broken lines shown in the drawings are for the purpose of illustrating portions of the golf cart battery that form no part of the claimed design.

- (56) **References Cited**
U.S. PATENT DOCUMENTS
- | | | | |
|--------------|---------|----------------|---------|
| D197,518 S | 2/1964 | Robe | |
| D292,576 S | 11/1987 | Kump et al. | |
| D310,821 S * | 9/1990 | Hulsebus | D13/104 |
| D401,551 S * | 11/1998 | Kim | D13/106 |
| D458,900 S | 6/2002 | Carter et al. | |
| D491,138 S * | 6/2004 | Minato | D13/104 |

1 Claim, 7 Drawing Sheets

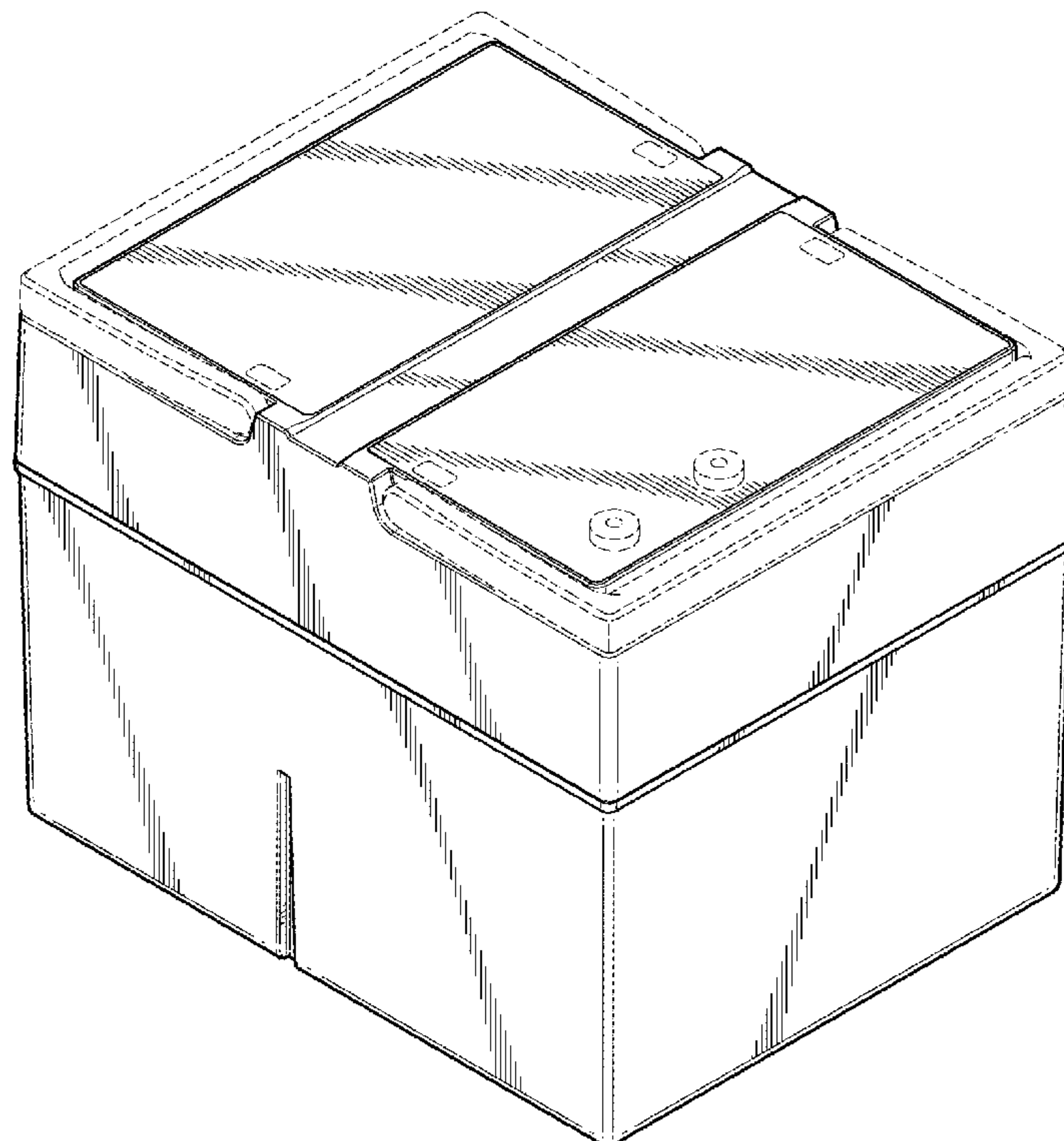


FIG. 1

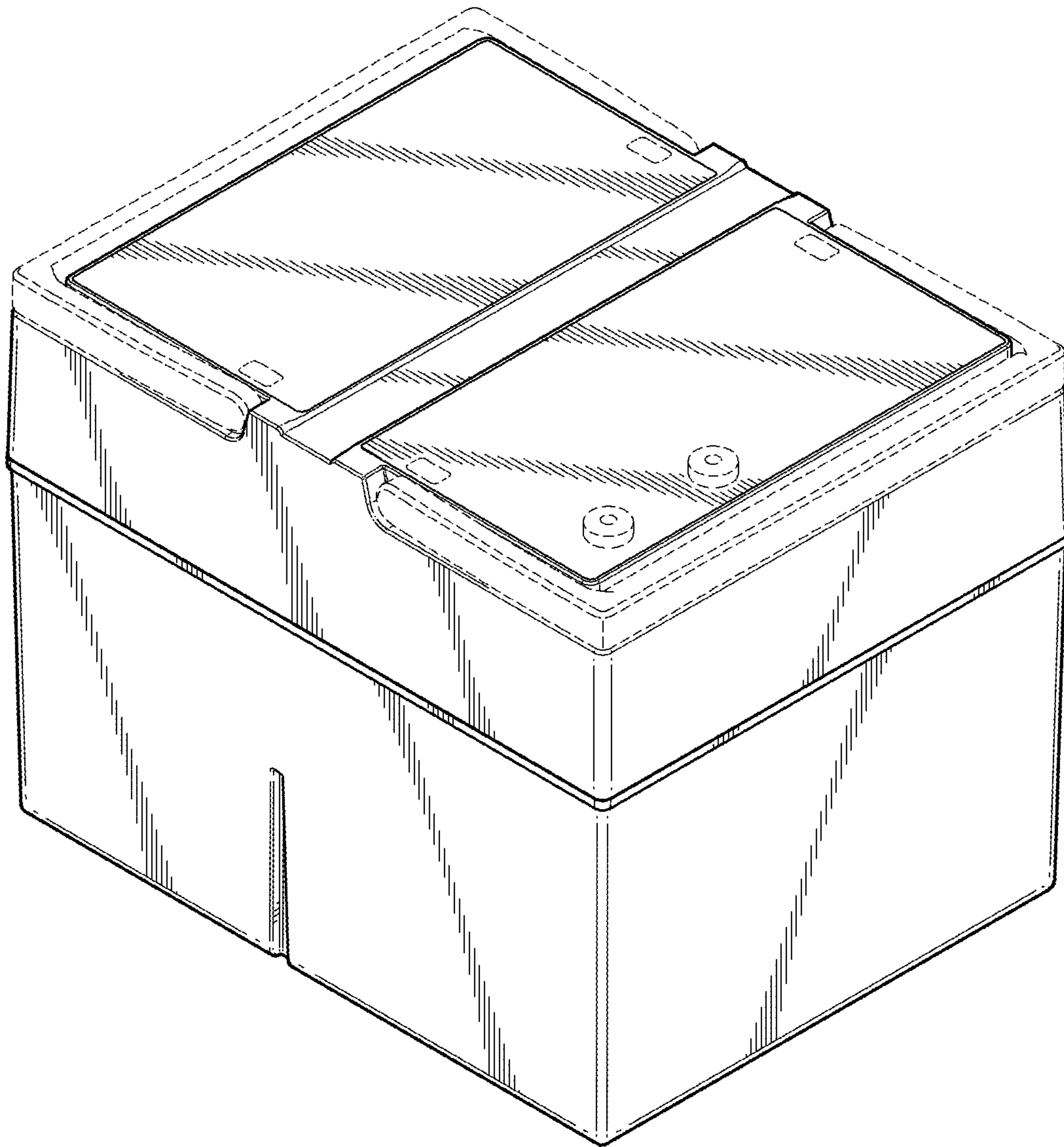


FIG. 2

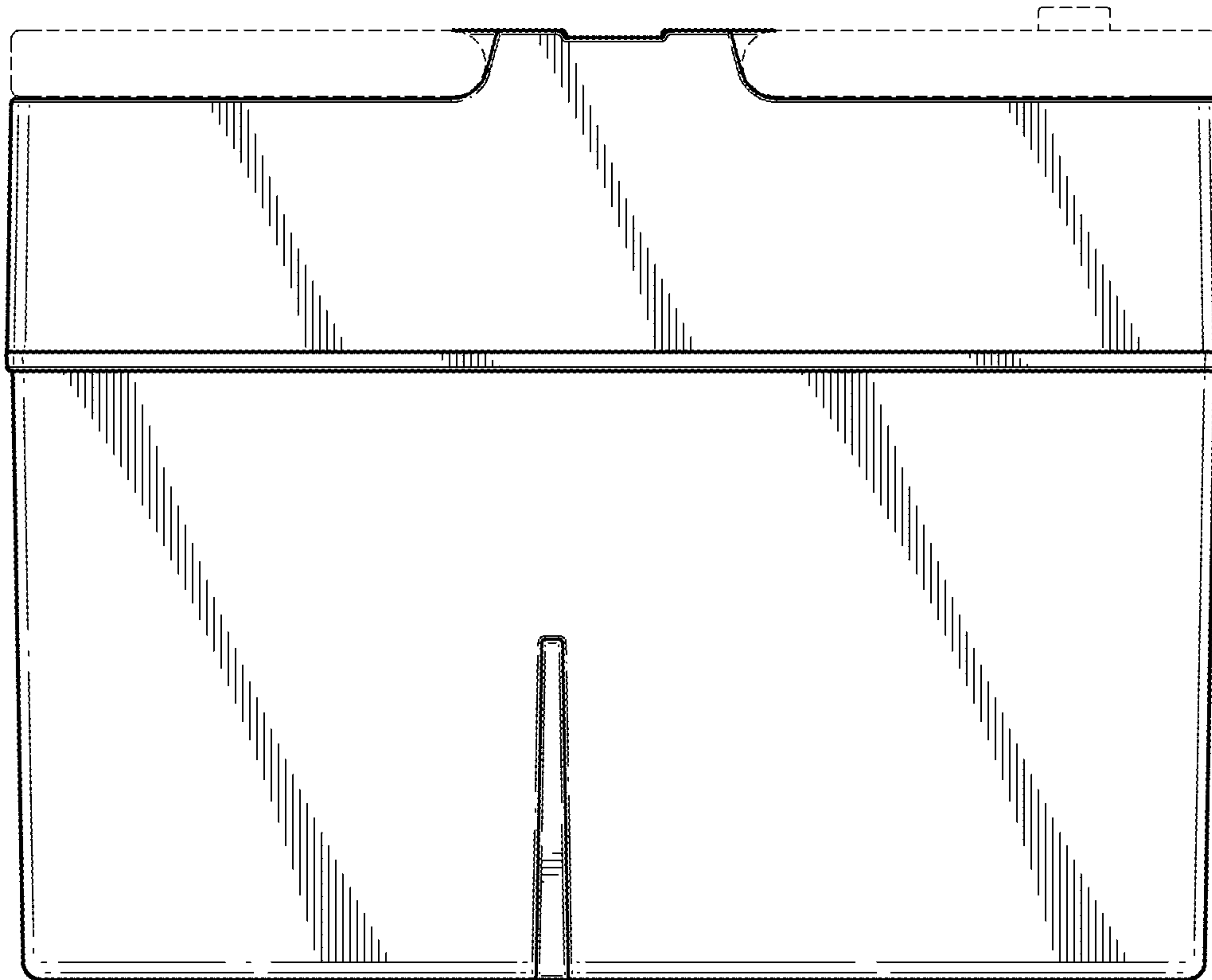


FIG. 3

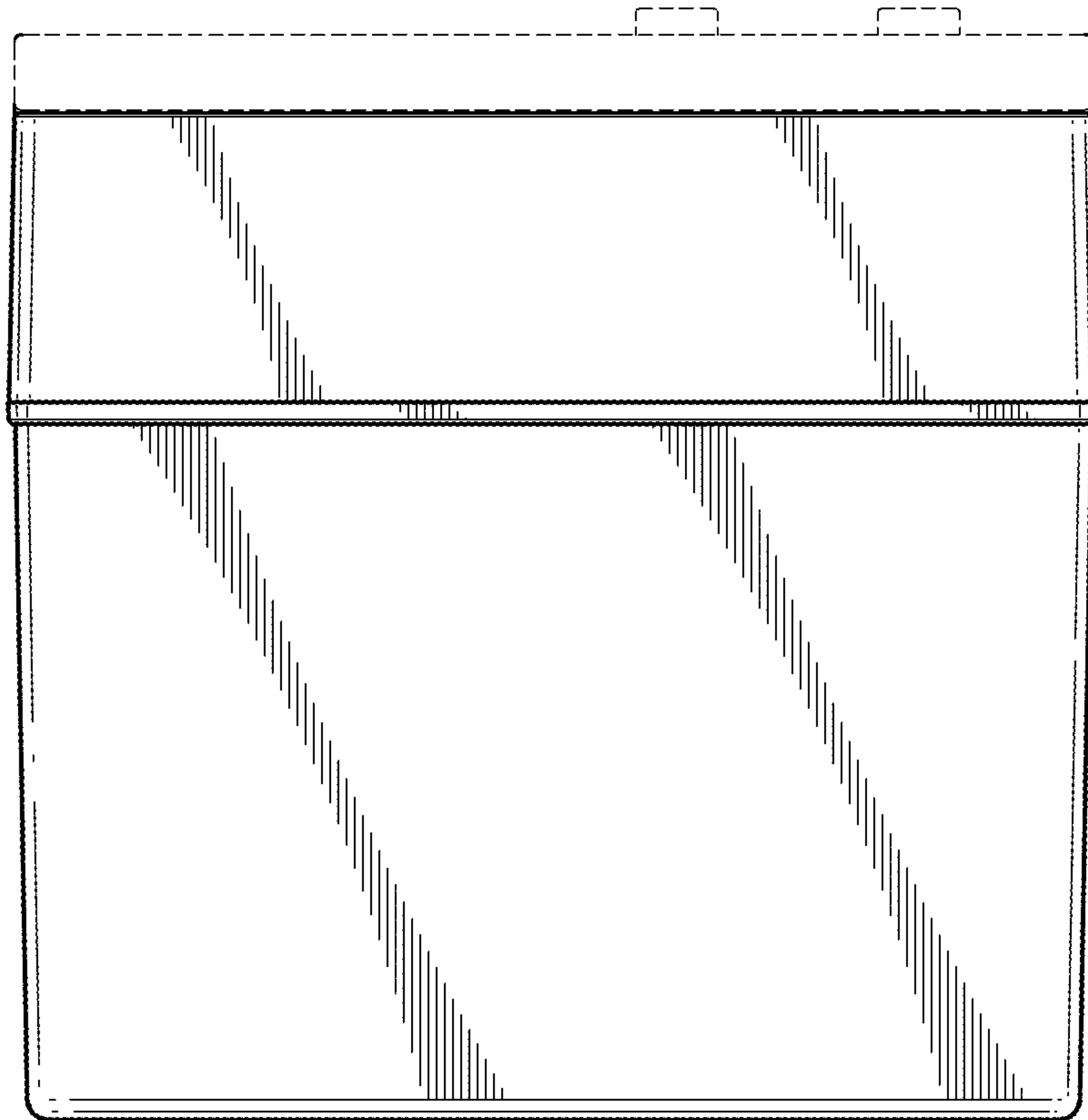


FIG. 4

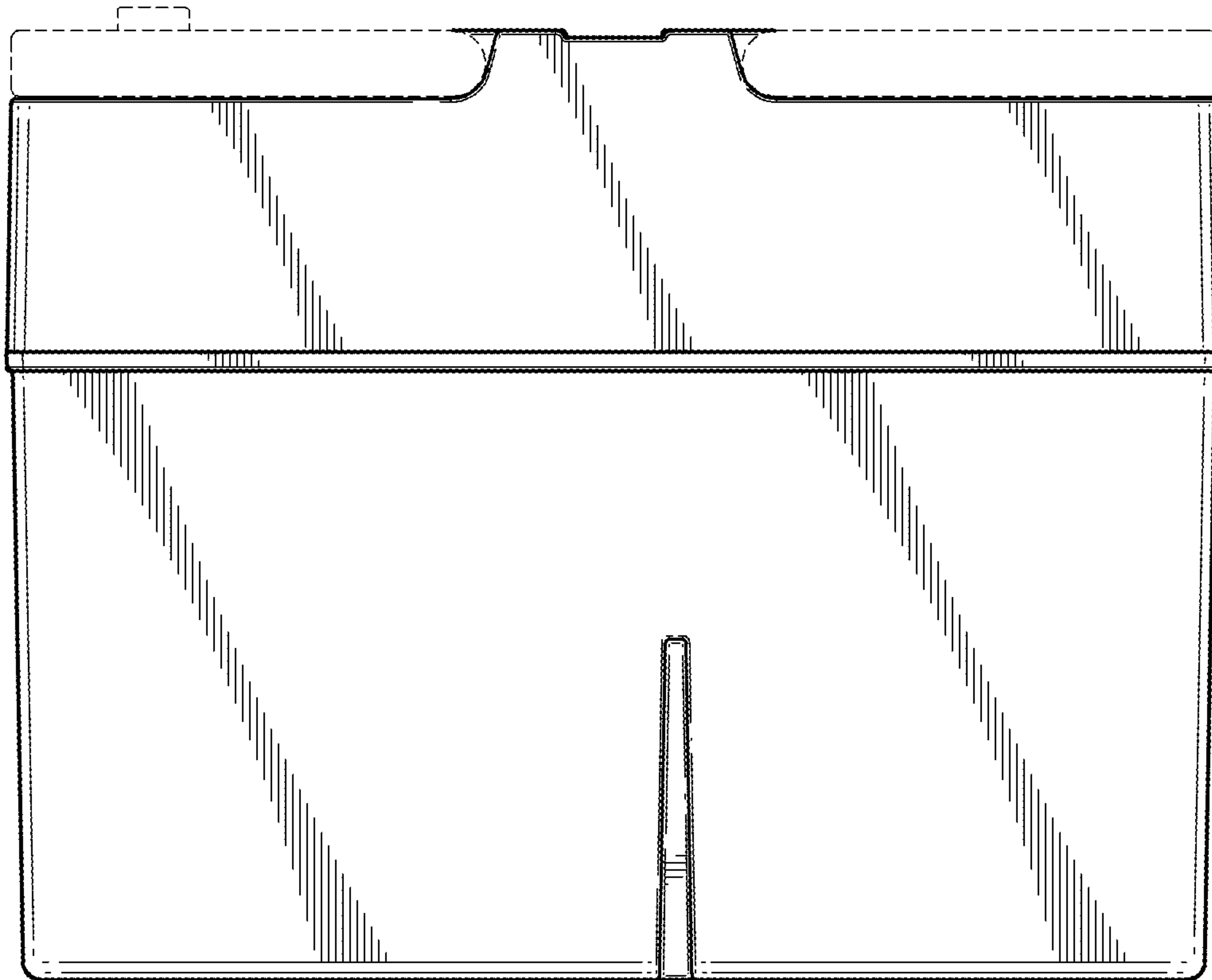


FIG. 5

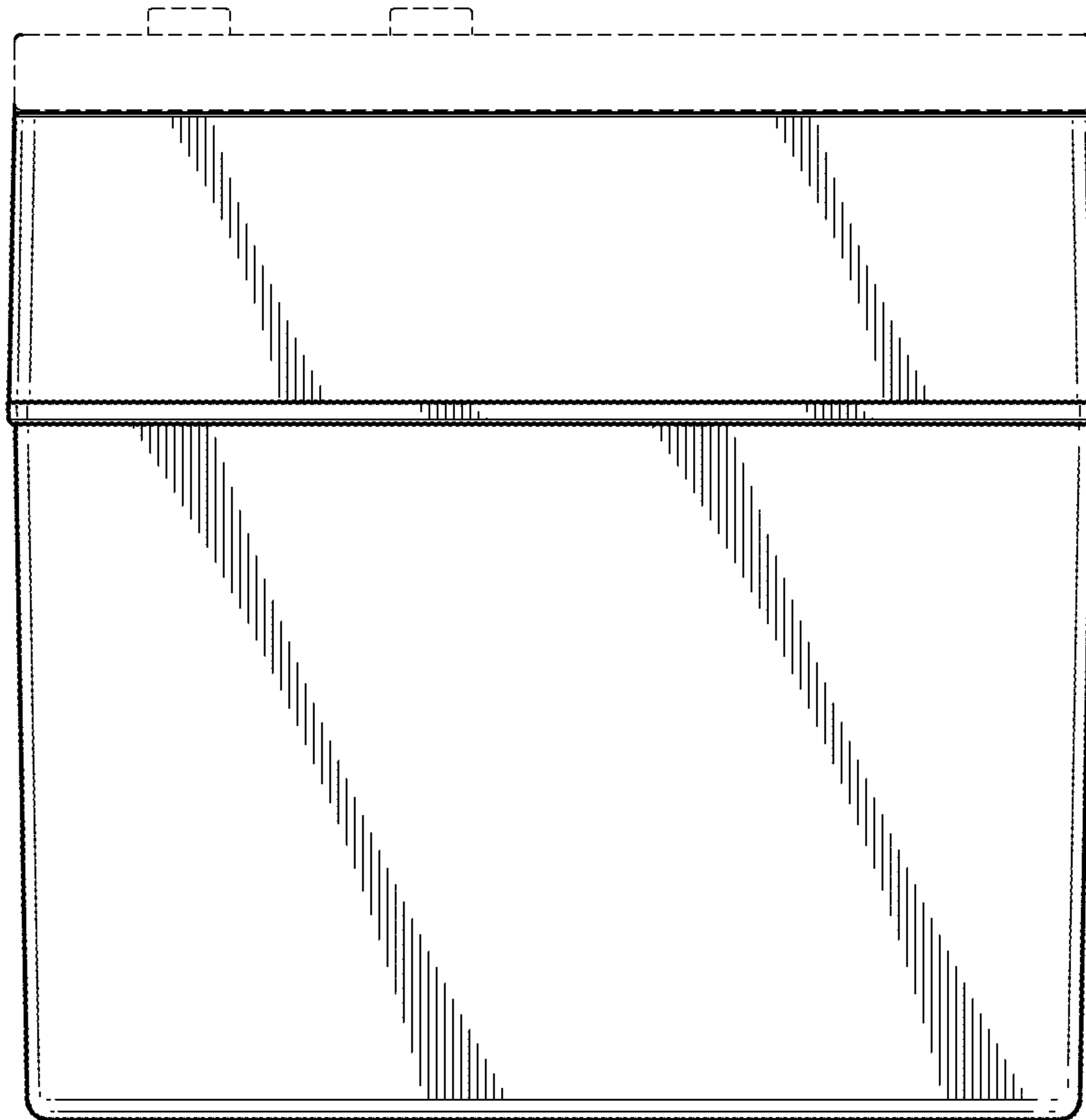


FIG. 6

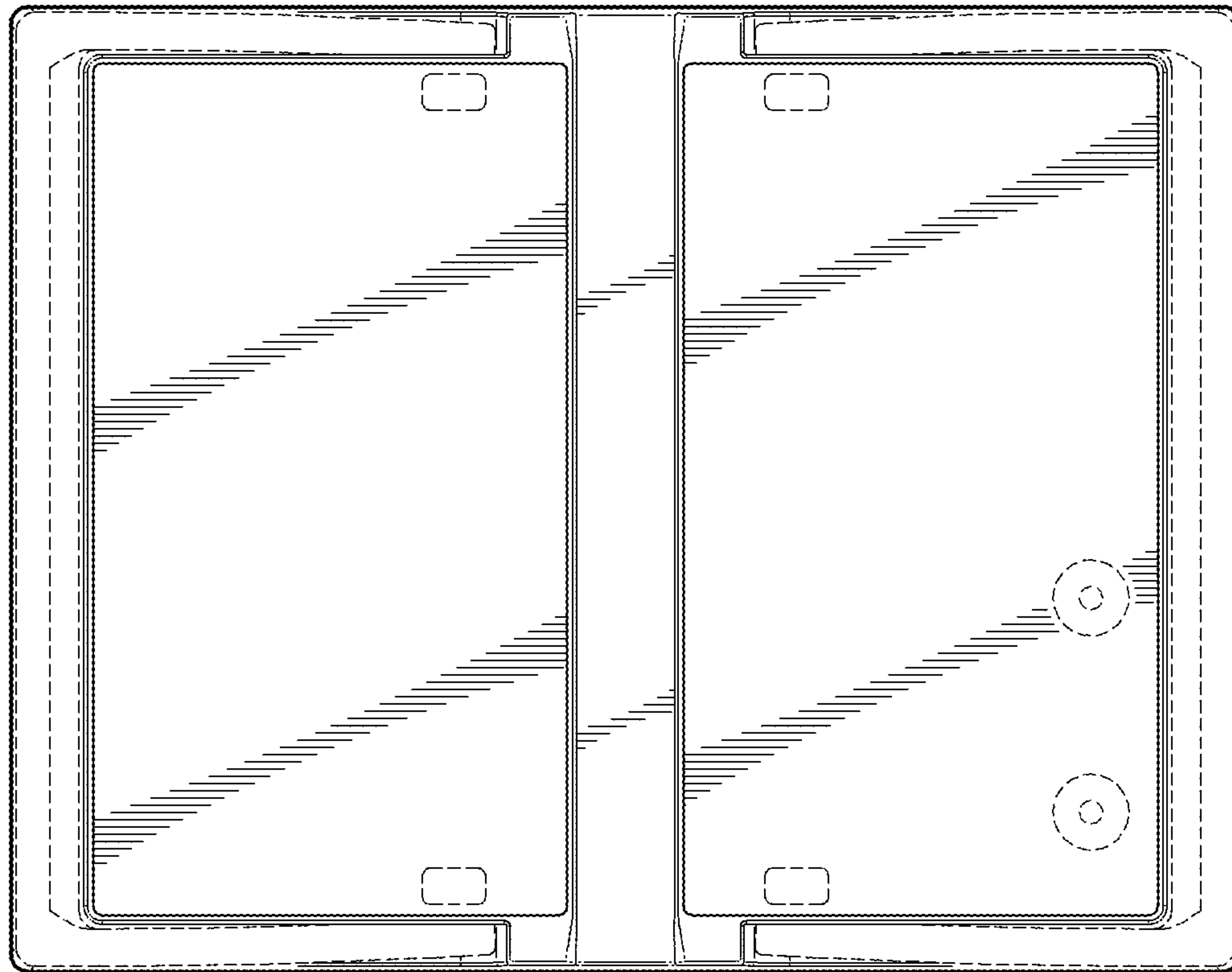


FIG. 7

