



US00D906951S

(12) **United States Design Patent** (10) **Patent No.:** **US D906,951 S**
Iwabuchi (45) **Date of Patent:** **** Jan. 5, 2021**

(54) **TIRE SIDEWALL**
(71) Applicant: **BRIDGESTONE CORPORATION,**
Tokyo (JP)
(72) Inventor: **Sotaro Iwabuchi,** Kodaira (JP)
(73) Assignee: **BRIDGESTONE CORPORATION,**
Tokyo (JP)

D770,373 S * 11/2016 Krier D12/605
D772,155 S * 11/2016 Krier D12/605
D772,798 S * 11/2016 Krier D12/605
D792,338 S * 7/2017 Itoi D12/605
D795,179 S * 8/2017 Itoi D12/605
D806,009 S * 12/2017 Ishikawa D12/605
D809,453 S * 2/2018 Sato D12/605
D810,674 S * 2/2018 Itoi D12/605
D815,591 S * 4/2018 Rogers D12/605

(Continued)

(**) Term: **15 Years**

FOREIGN PATENT DOCUMENTS

(21) Appl. No.: **29/704,519**

JP 1403845 S 12/2010
JP 1593450 S 12/2017

(22) Filed: **Sep. 5, 2019**

(Continued)

(30) **Foreign Application Priority Data**

Primary Examiner — Michelle E. Wilson

Assistant Examiner — Clese Moore, Jr.

Jun. 11, 2019 (JP) 2019-012836

(74) *Attorney, Agent, or Firm* — Kenja IP Law PC

(51) **LOC (13) Cl.** **12-15**

(57) **CLAIM**

(52) **U.S. Cl.**
USPC **D12/605**

The ornamental design for a tire sidewall, as shown and described.

(58) **Field of Classification Search**
USPC D12/604, 605
CPC B60C 13/00; B60C 1/00
See application file for complete search history.

DESCRIPTION

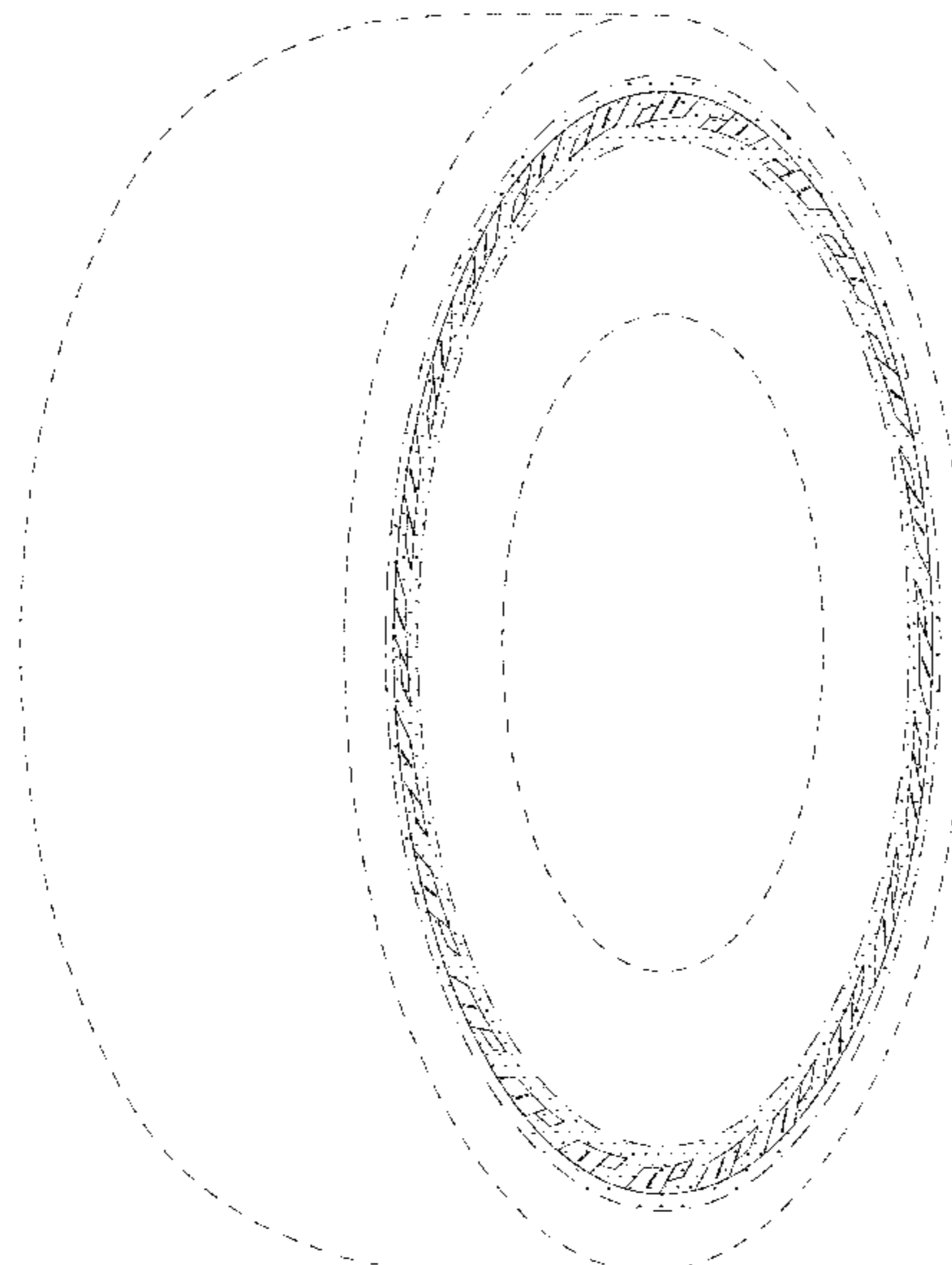
(56) **References Cited**

FIG. 1 is a perspective view of a tire sidewall showing my new design;
FIG. 2 is a front view thereof;
FIG. 3 is a top view thereof;
FIG. 4 is a right side view thereof;
FIG. 5 is a rear view thereof;
FIG. 6 is a fragmentary enlarged view showing the details of the sidewall portion in the area defined by lines 6-6 in FIG. 2; and,
FIG. 7 is a fragmentary enlarged view taken along lines 7-7 between 7-7 in FIG. 6.
The broken lines are used to show portions of the tire sidewall that are not being claimed, and thus form no part of the claimed design.

U.S. PATENT DOCUMENTS

D568,806 S * 5/2008 Dixon D12/605
D575,222 S * 8/2008 Fujita D12/605
D588,530 S * 3/2009 Shondel D12/605
D596,116 S * 7/2009 Fujita D12/605
D611,403 S * 3/2010 Kuwano D12/605
D611,894 S * 3/2010 Scheifele D12/605
D627,714 S * 11/2010 Miyazaki D12/605
D627,716 S * 11/2010 Harvey D12/605
D639,727 S * 6/2011 Tokizaki D12/605
D670,644 S * 11/2012 Miyazaki D12/605
D674,745 S * 1/2013 Miyazaki D12/605
D749,499 S * 2/2016 Iwabuchi D12/605
D757,644 S * 5/2016 Wieland D12/605

1 Claim, 7 Drawing Sheets



(56)

References Cited

U.S. PATENT DOCUMENTS

D826,144 S * 8/2018 Ishigaki D12/605
D826,844 S * 8/2018 Yasunaga D12/605
D830,291 S * 10/2018 Lundgren D12/605
D846,488 S * 4/2019 Dixon D12/605
D848,942 S 5/2019 Scheifele et al.
D852,733 S 7/2019 Kuwano

FOREIGN PATENT DOCUMENTS

JP 1600460 S 3/2018
JP 1600465 S 3/2018
JP 1628439 S 4/2019
JP 1628440 S 4/2019
KR 300638237 S 4/2012

* cited by examiner

FIG. 1

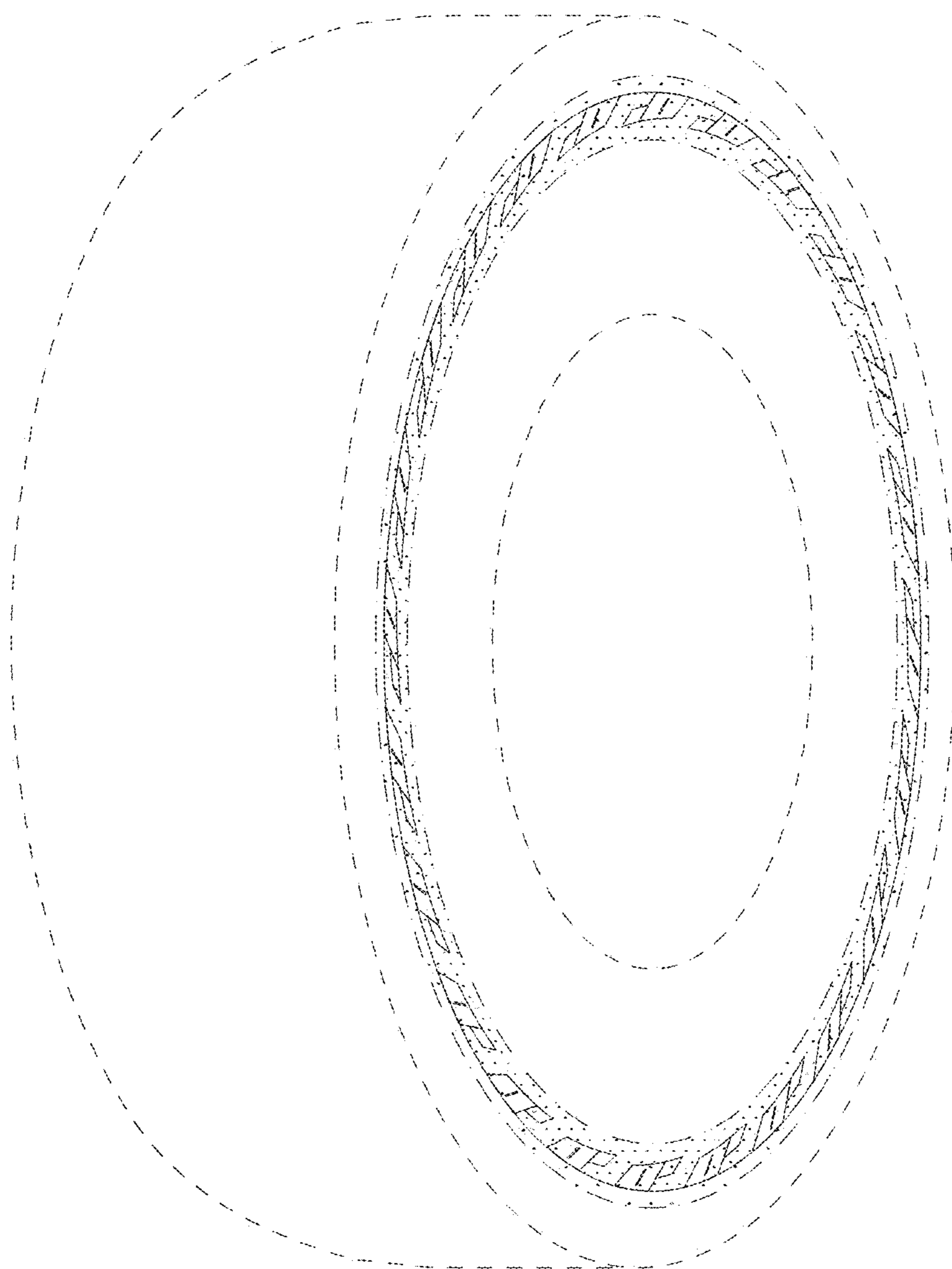


FIG. 2

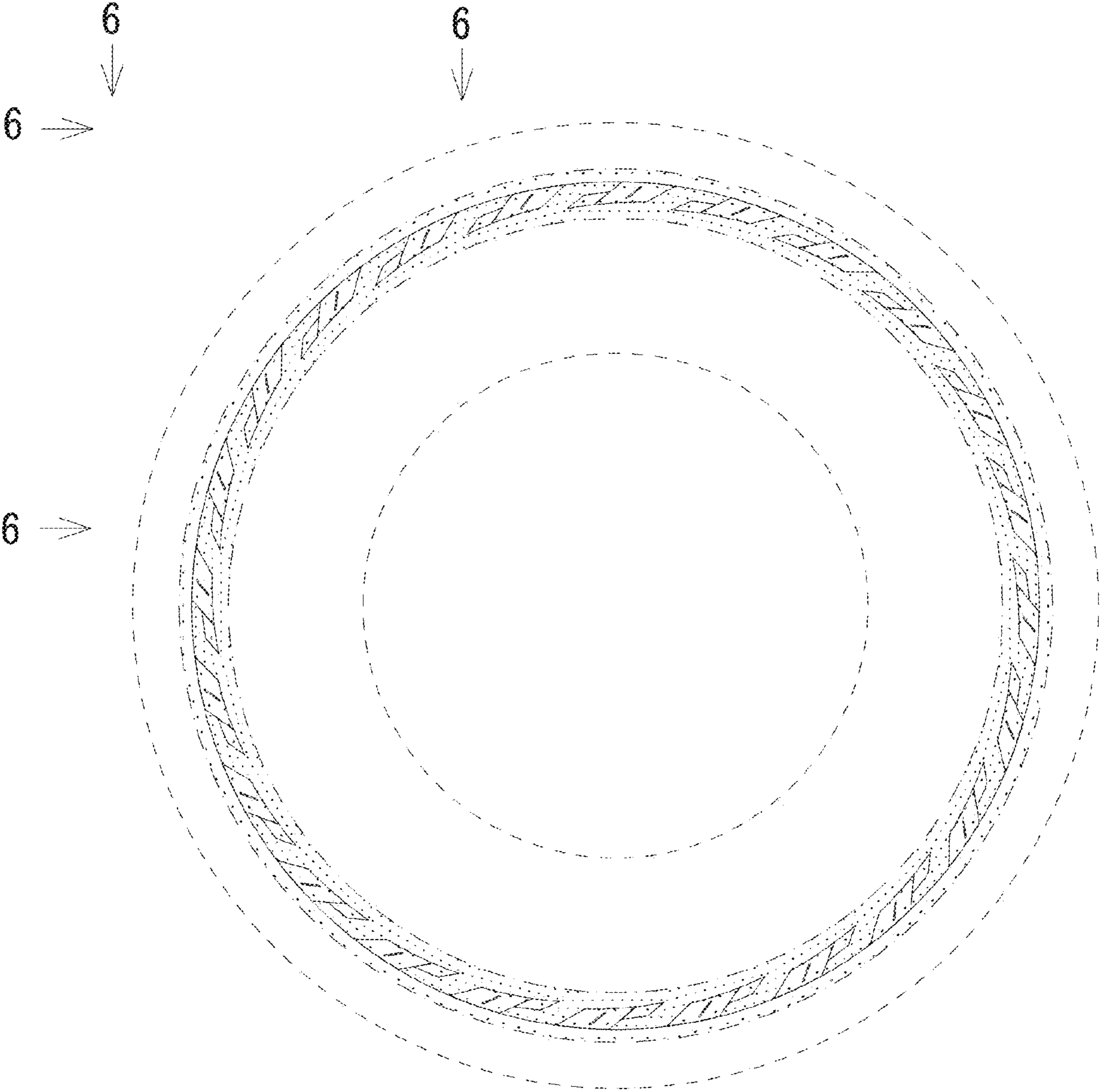


FIG. 3



FIG. 4

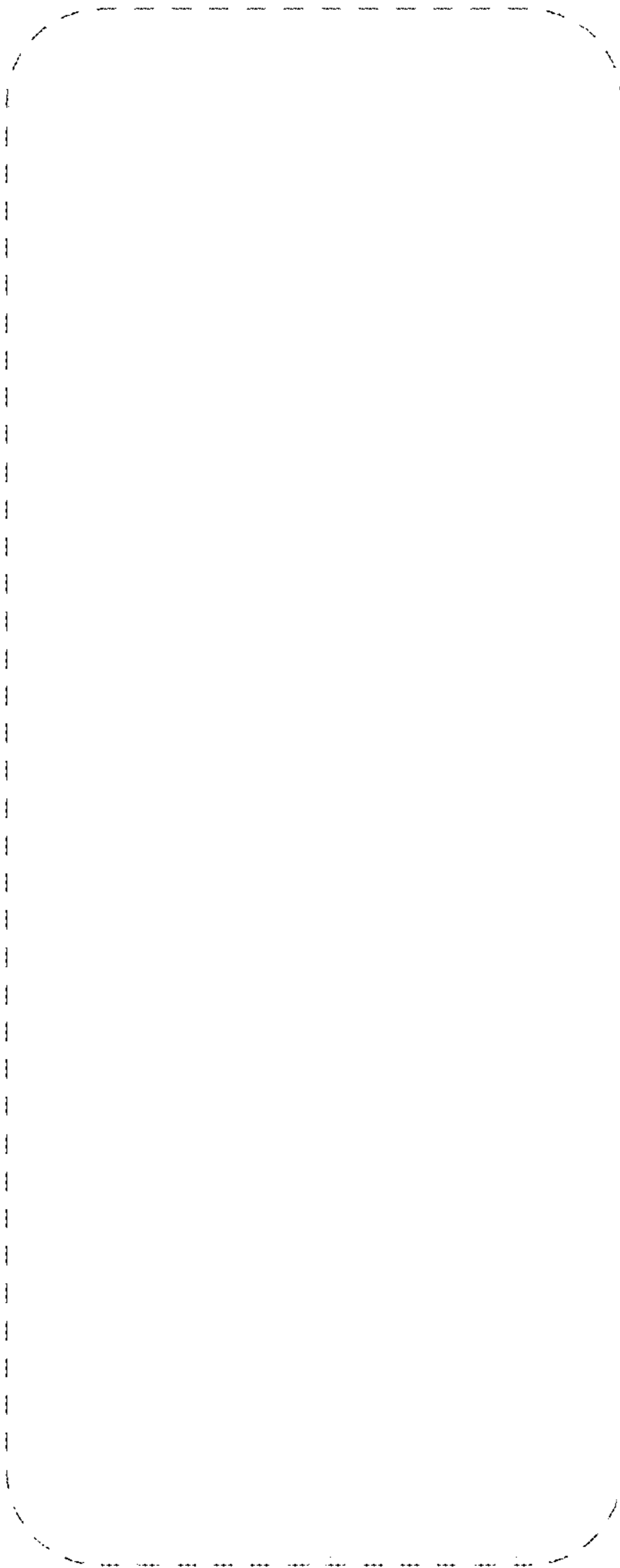


FIG. 5

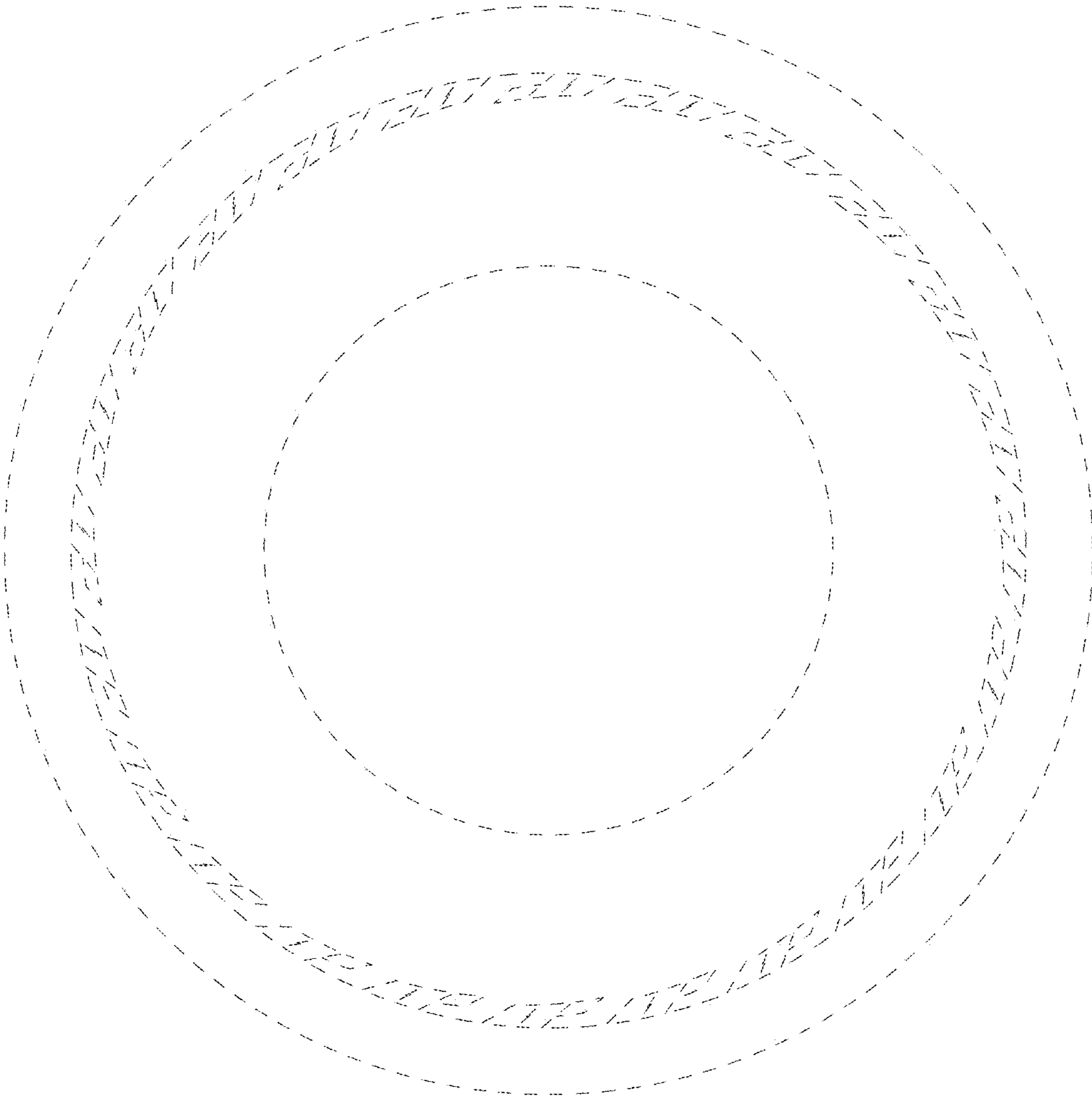


FIG. 6

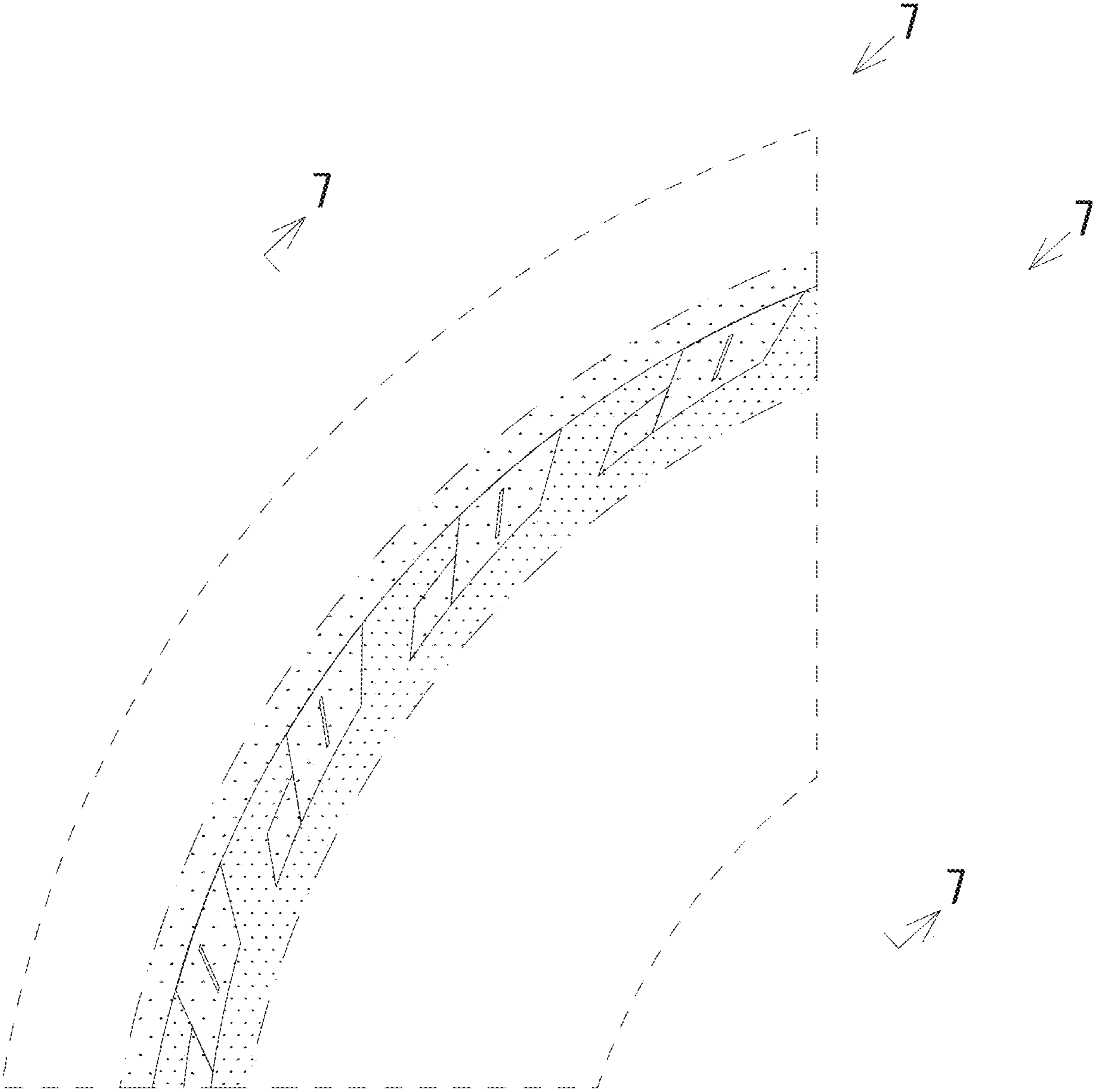


FIG. 7

