



US00D906949S

(12) **United States Design Patent** (10) **Patent No.:** **US D906,949 S**
Sareen (45) **Date of Patent:** **** Jan. 5, 2021**

- (54) **TIRE TREAD**
- (71) Applicant: **Omni United (S) PTE Ltd.**, Singapore (SG)
- (72) Inventor: **Gajendra Singh Sareen**, Singapore (SG)
- (73) Assignee: **Omni United (S) PTE LTD**, Singapore (SG)

- D662,462 S 6/2012 Youn
- D662,463 S 6/2012 Youn
- D666,138 S 8/2012 Fontaine
- D666,551 S 9/2012 Schmidt-Zum Berge
- D733,041 S 6/2015 Sareen
- D740,210 S * 10/2015 Uphouse D12/595
- D772,797 S * 11/2016 Ono D12/604
- D786,785 S * 5/2017 Mathonet D12/595
- D813,796 S 3/2018 Dixon
- D886,724 S * 6/2020 Fox D12/595
- D897,940 S * 10/2020 Hidalgo Vieira D12/588

(**) Term: **15 Years**

(21) Appl. No.: **29/696,097**

(22) Filed: **Jun. 25, 2019**

(51) **LOC (13) Cl.** **12-15**

(52) **U.S. Cl.**
USPC **D12/595**

(58) **Field of Classification Search**
USPC D12/579, 580, 586, 587, 588, 594, 595, D12/600, 601
CPC .. B60C 11/0306; B60C 11/0309; B60C 11/04
See application file for complete search history.

(56) **References Cited**

U.S. PATENT DOCUMENTS

- D350,095 S 8/1994 Anderson
- D375,064 S 10/1996 McKisson
- D448,707 S * 10/2001 Maziarka D12/595
- D490,050 S 5/2004 Kindig
- D597,023 S 7/2009 Park
- D627,713 S 11/2010 Le
- D653,199 S 1/2012 Scheuren
- D656,889 S 4/2012 Grolier
- D657,302 S 4/2012 Durand
- D661,642 S 6/2012 Krupa
- D662,456 S 6/2012 Corsi
- D662,459 S 6/2012 Kojima

* cited by examiner

Primary Examiner — Robert M. Spear
(74) *Attorney, Agent, or Firm* — Hemingway & Hansen, LLP; D. Scott Hemingway; Elizabeth Hartman

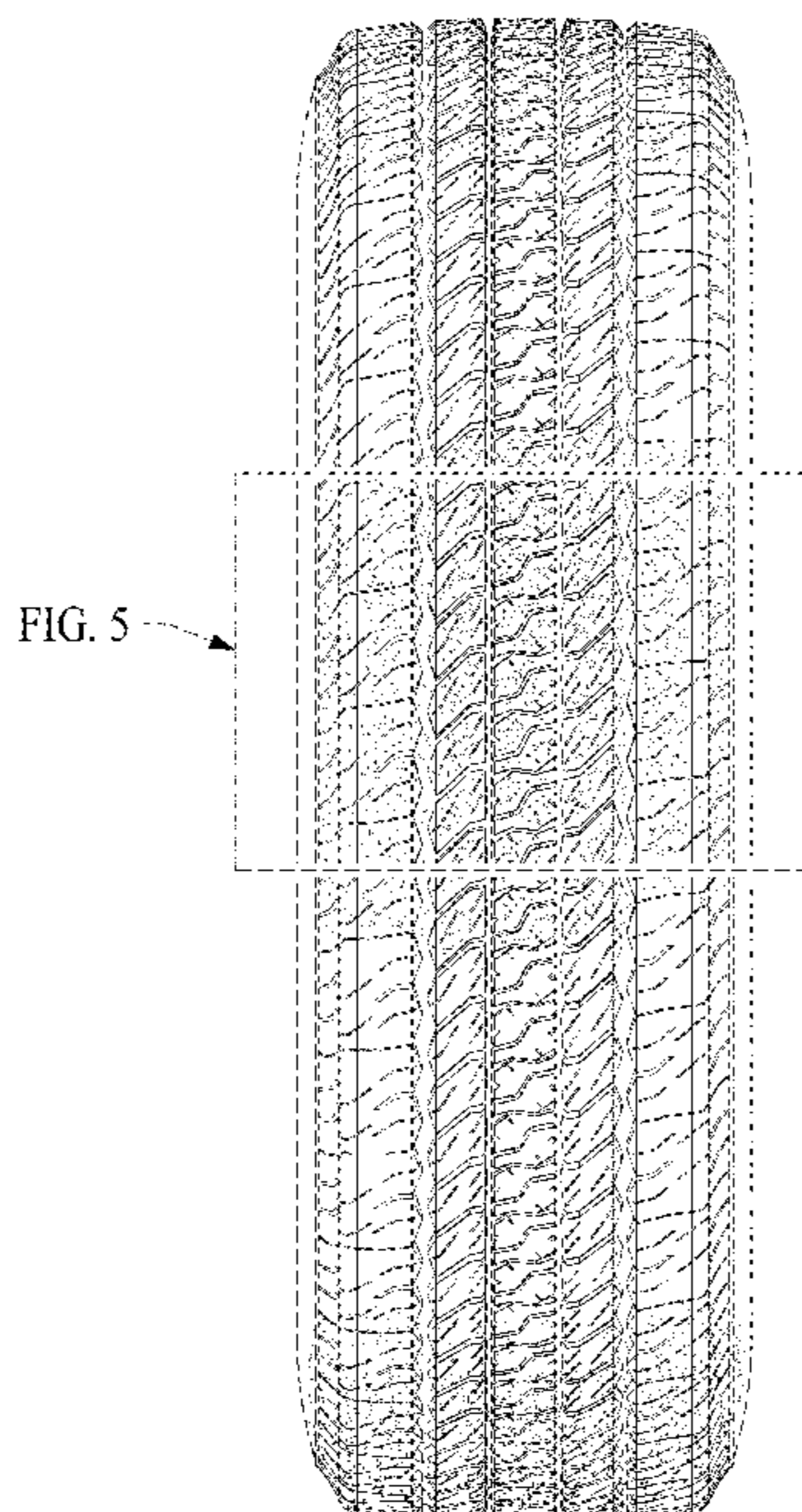
(57) **CLAIM**

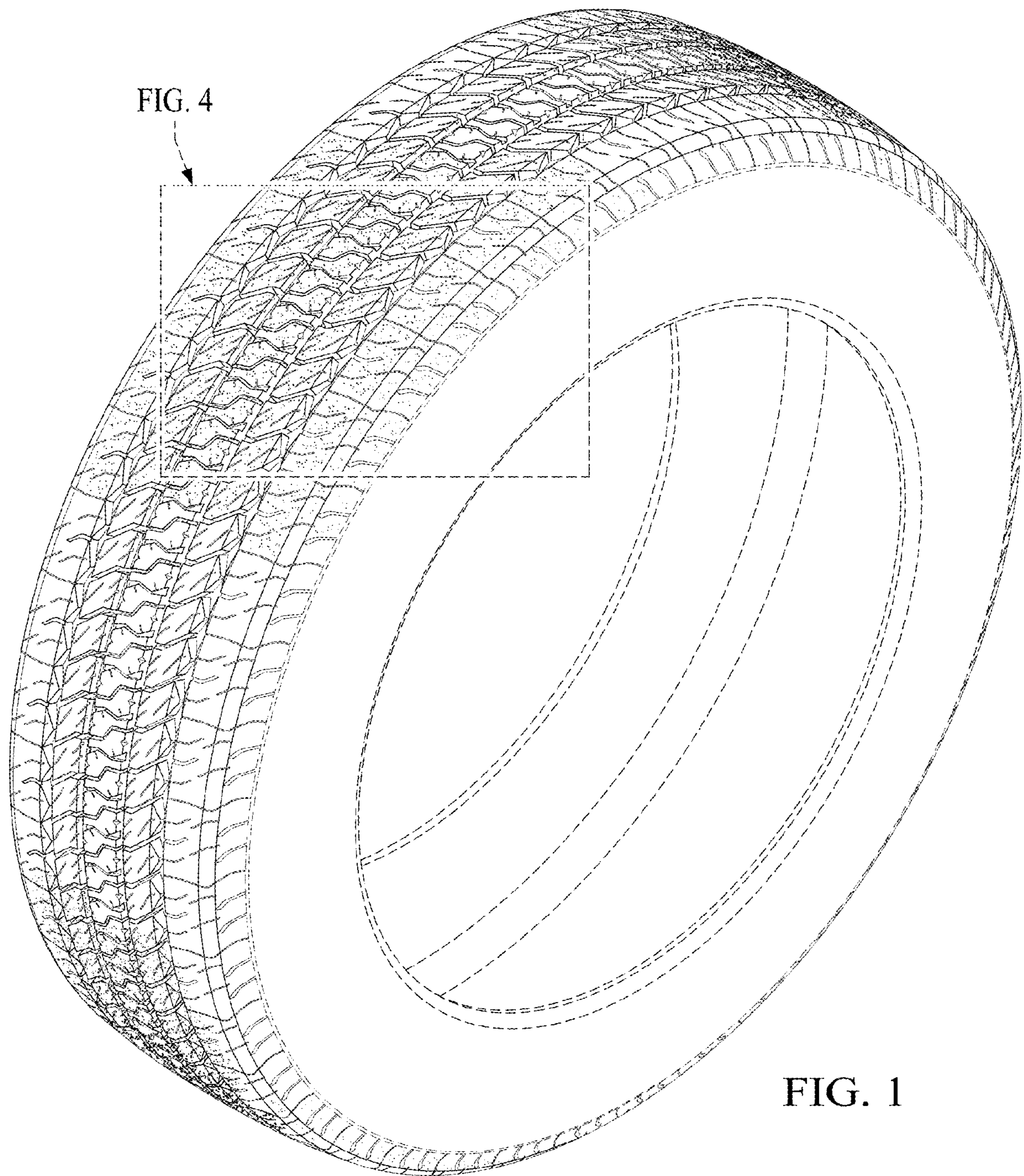
The ornamental design for a tire tread, as shown and described.

DESCRIPTION

FIG. 1 is a front perspective view of a tire tread of the present application;
FIG. 2 is a front elevation view thereof;
FIG. 3 is a right side view thereof, with the left side view being identical thereof;
FIG. 4 is an enlarged front perspective view of FIG. 1, showing a portion thereof;
FIG. 5 is an enlarged front elevation view of FIG. 2, showing a portion thereof; and,
FIG. 6 is an enlarged side view of FIG. 3, showing a portion thereof.
In the drawings, the broken lines depict environmental subject matter only and form no part of the claimed design. The tread pattern is understood to repeat throughout the circumference of the tire.

1 Claim, 6 Drawing Sheets





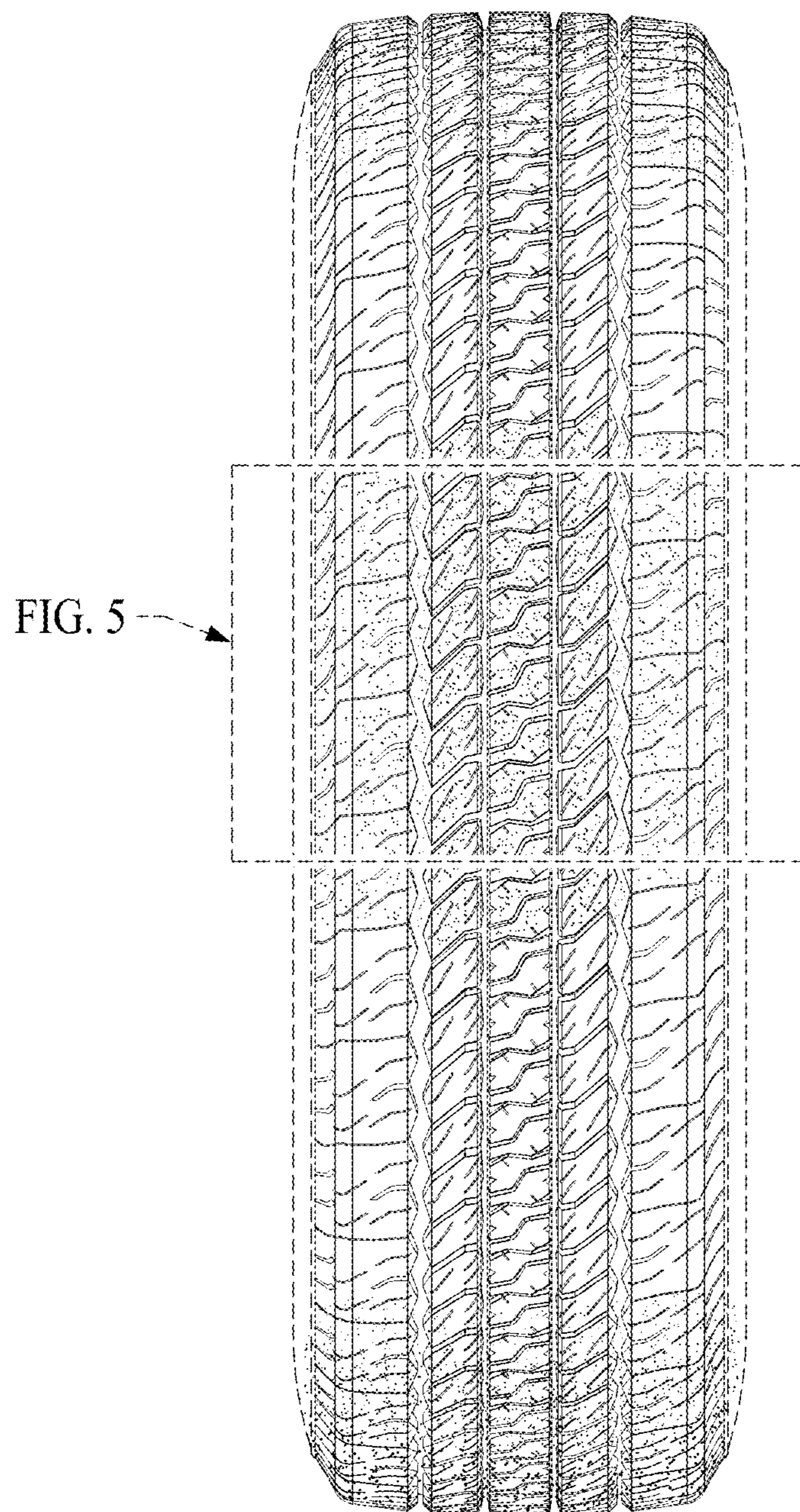


FIG. 2

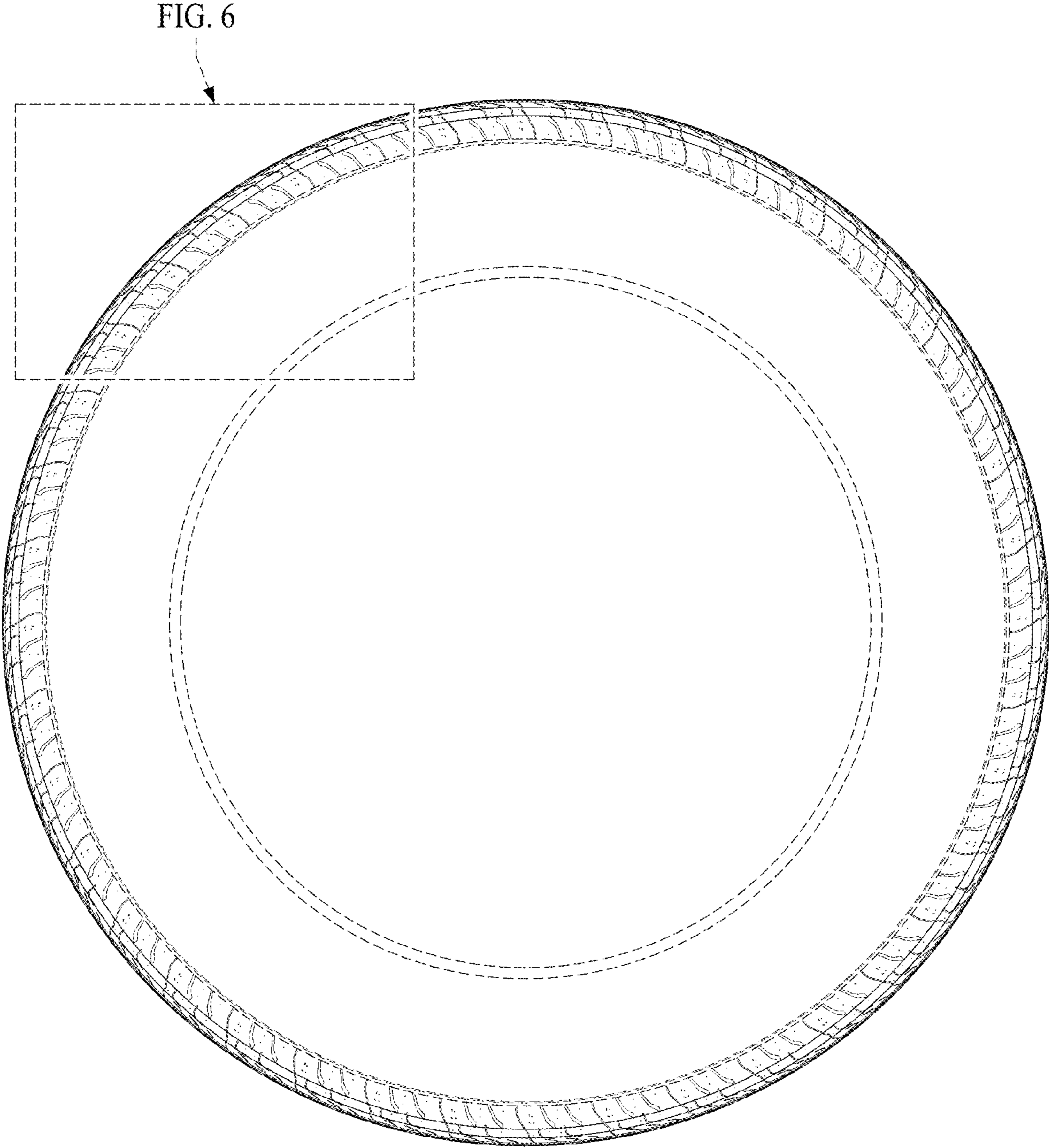


FIG. 6

FIG. 3

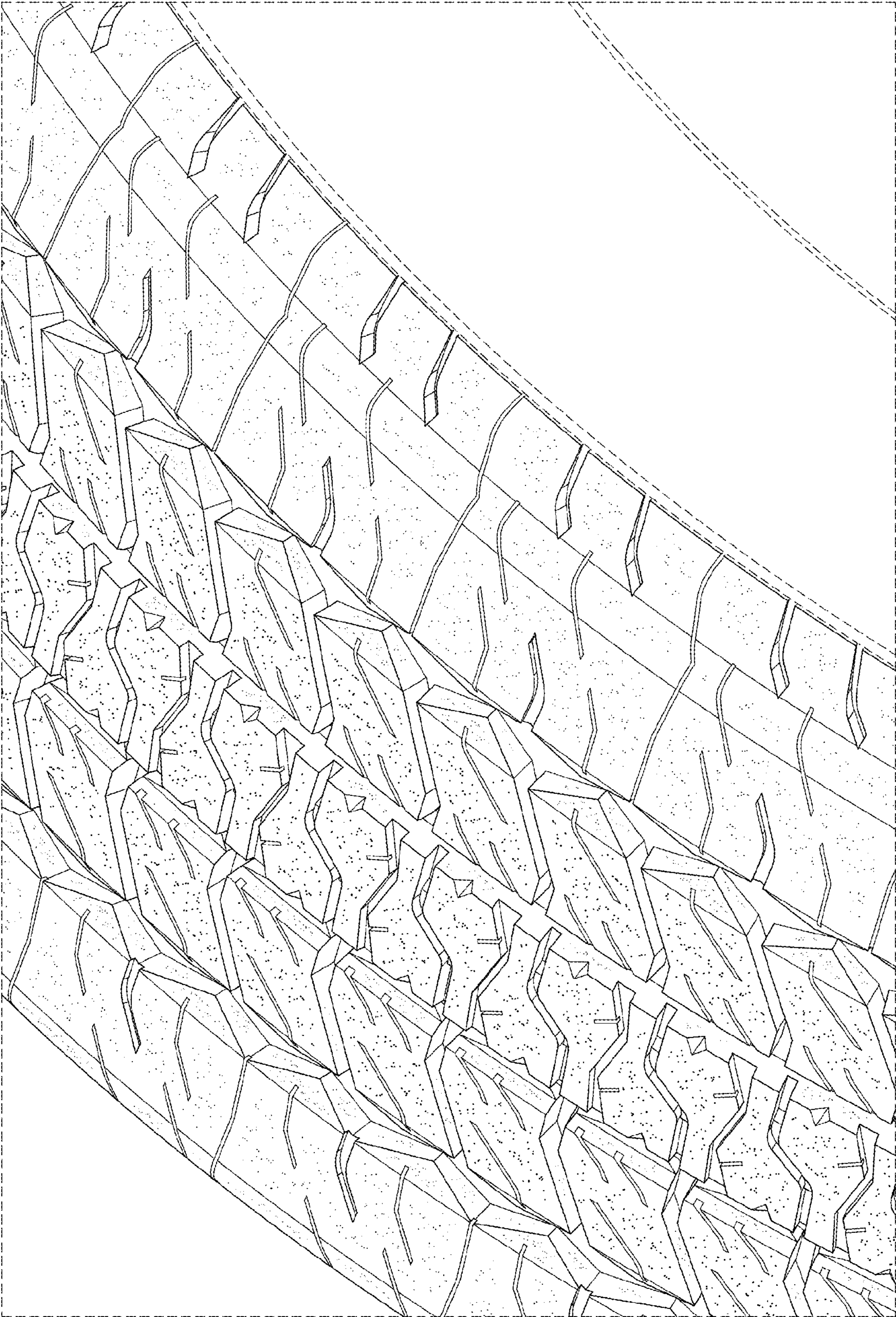


FIG. 4

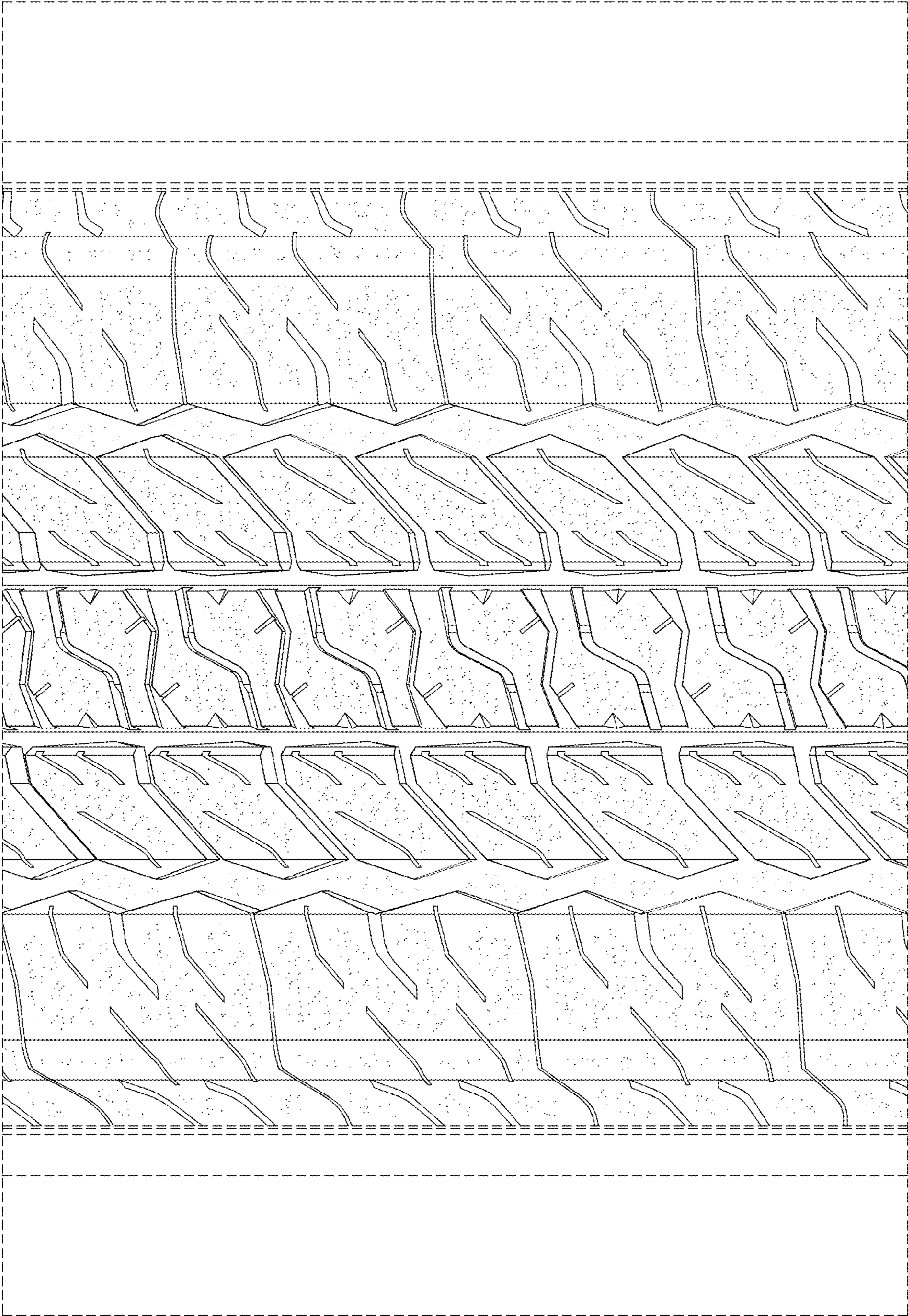


FIG. 5

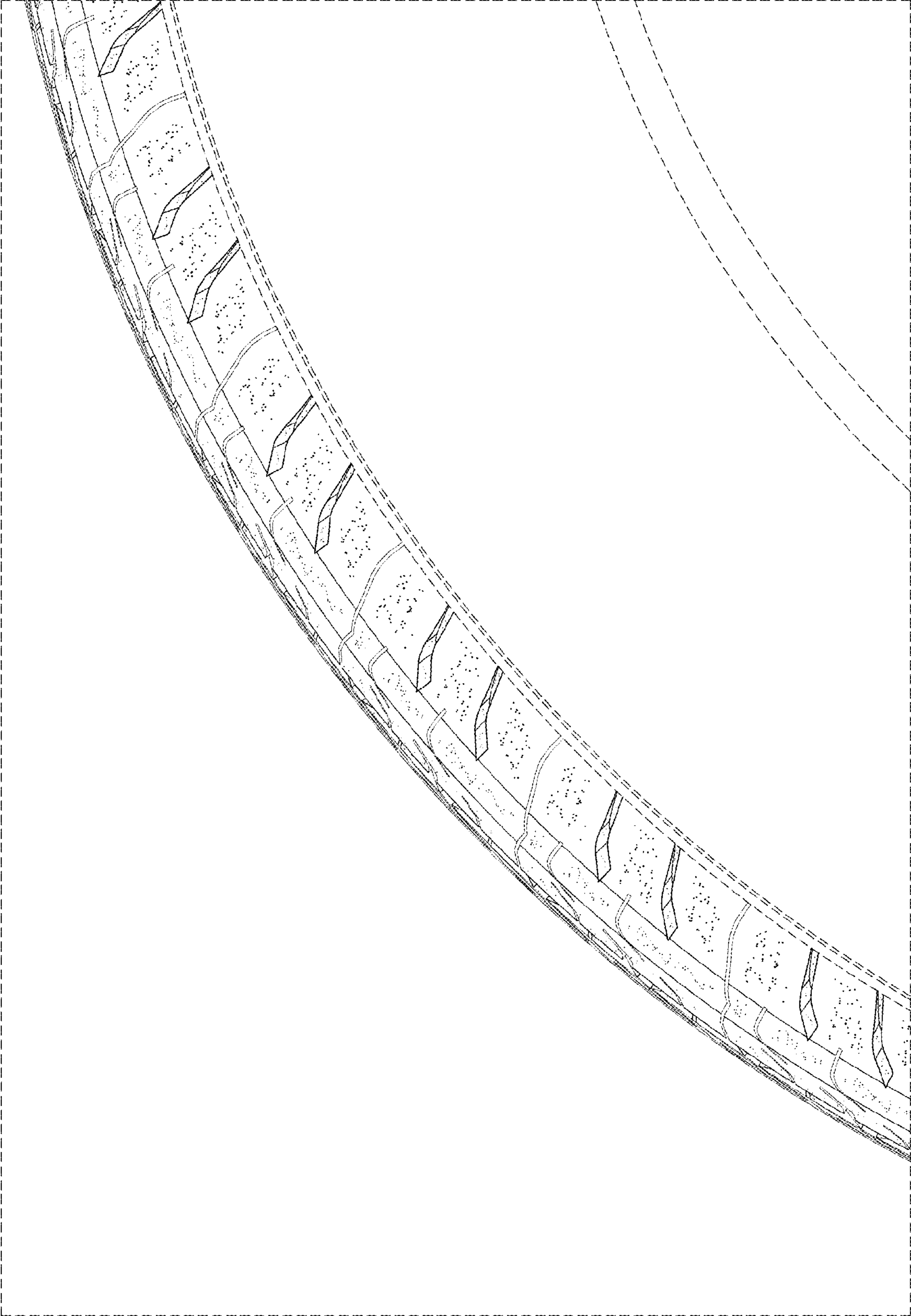


FIG. 6