



US00D906943S

(12) **United States Design Patent**  
**Osborne et al.**

(10) **Patent No.:** **US D906,943 S**

(45) **Date of Patent:** **\*\* Jan. 5, 2021**

(54) **LANDING PAD**

(71) Applicant: **GANNETT FLEMING, INC.**, Camp Hill, PA (US)

(72) Inventors: **Harry T. Osborne**, Plainfield, NJ (US); **Brian J. Smith**, Avondale, PA (US); **Michael J. Snyder**, Port Matilda, PA (US); **Jennifer M. Ganley**, Bedminster, NJ (US); **Teresa L. Peterson**, Philadelphia, PA (US)

(73) Assignee: **GANNETT FLEMING, INC.**, Camp Hill, PA (US)

(\*\*) Term: **15 Years**

(21) Appl. No.: **29/646,760**

(22) Filed: **May 7, 2018**

(51) **LOC (13) Cl.** ..... **12-07**

(52) **U.S. Cl.**  
USPC ..... **D12/345**

(58) **Field of Classification Search**  
USPC ..... D12/319-345, 16.1, 1-4, 415, 401;  
D21/436-455, 769, 771; D15/199;  
D32/21; D25/4; D6/514, 705.7, 706,  
D6/675, 675.3, 677.3  
CPC ..... B64C 2201/146; B64C 2201/027; B64C  
2201/104; B64C 25/06; B64C 25/24;  
B64C 39/04; B64C 5/02  
See application file for complete search history.

(56) **References Cited**

**U.S. PATENT DOCUMENTS**

D200,369 S \* 2/1965 Cohen ..... D12/333  
D263,486 S \* 3/1982 Henderson ..... D21/445  
D304,714 S \* 11/1989 Tanifuzi ..... D12/1  
D715,373 S \* 10/2014 Thompson ..... D21/453

D734,401 S \* 7/2015 Warner ..... D21/437  
D776,569 S \* 1/2017 Baruchin ..... D12/16.1  
D787,372 S \* 5/2017 Ketcher ..... D12/16.1  
D787,373 S \* 5/2017 Ketcher ..... D12/16.1  
D801,440 S \* 10/2017 Pavelsky ..... D21/455  
D834,100 S \* 11/2018 Chevrie ..... D21/455  
D839,360 S \* 1/2019 Philgreen ..... D21/455  
D856,590 S \* 8/2019 Kaplan ..... D28/87  
D858,421 S \* 9/2019 Von Holzhausen ..... D12/345  
D861,078 S \* 9/2019 Lin ..... D21/455  
2015/0175258 A1 \* 6/2015 Lee ..... B64C 27/08  
244/17.23

**OTHER PUBLICATIONS**

Circles packed. by Toby Hudson. dated May 10, 2010. dated [Dec. 26, 2019] [https://commons.wikimedia.org/wiki/File:Circles\\_packed\\_in\\_square\\_4.svg#/media/File:Circles\\_packed\\_in\\_square\\_4.svg](https://commons.wikimedia.org/wiki/File:Circles_packed_in_square_4.svg#/media/File:Circles_packed_in_square_4.svg).\*

(Continued)

*Primary Examiner* — Marissa J Cash

(74) *Attorney, Agent, or Firm* — Saxton & Stump LLC

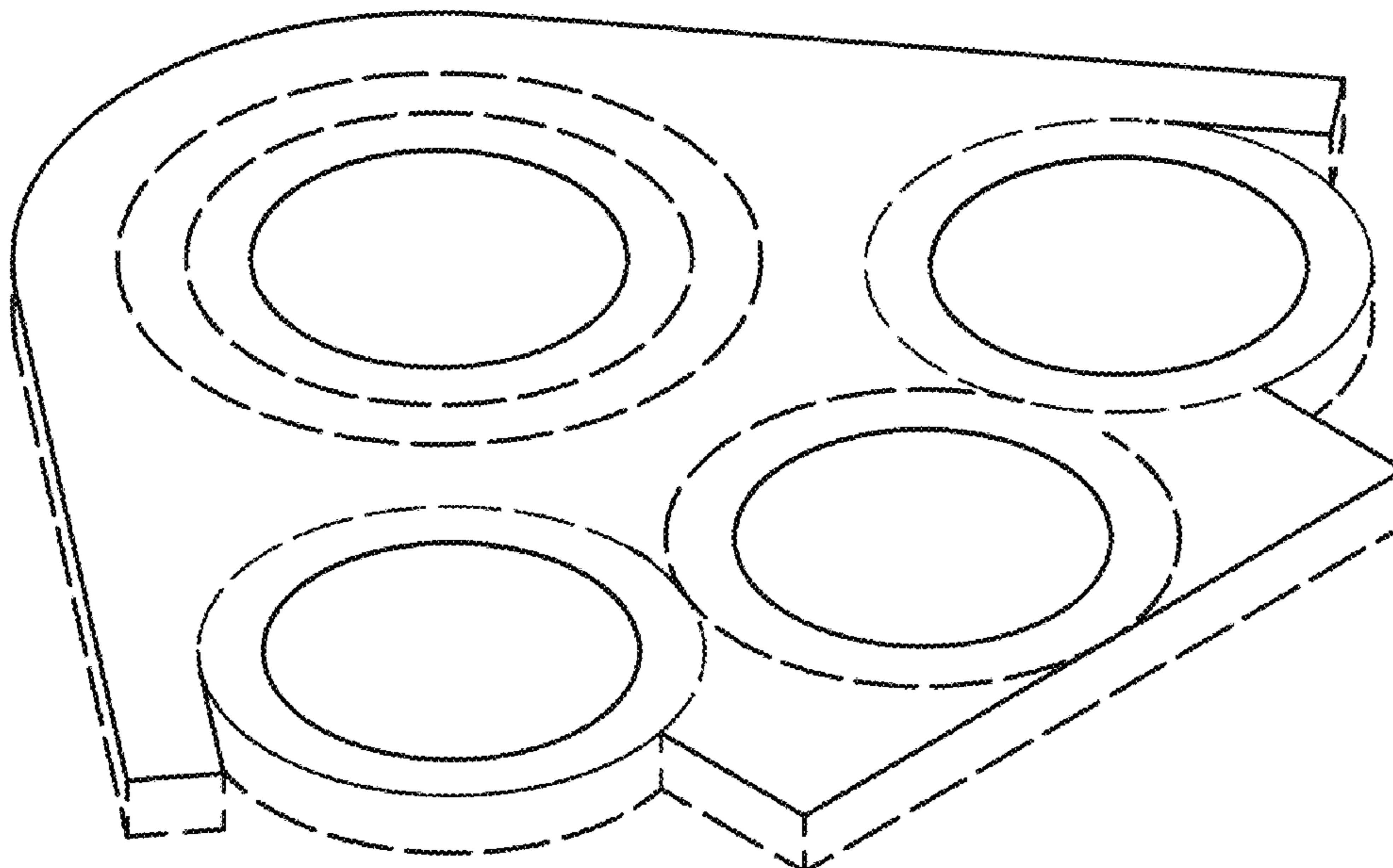
(57) **CLAIM**

The ornamental design for a landing pad, as shown and described.

**DESCRIPTION**

FIG. 1 is a top-front-left side perspective view of a landing pad, showing the design;  
FIG. 2 is a top view of the landing pad of FIG. 1;  
FIG. 3 is a front view of the landing pad of FIG. 1;  
FIG. 4 is a bottom view of the landing pad of FIG. 1;  
FIG. 5 is a rear view of the landing pad of FIG. 1;  
FIG. 6 is a left side view of the landing pad of FIG. 1; and,  
FIG. 7 is a right side view of the landing pad of FIG. 1.  
The broken lines in the drawings depict environmental matter that forms no part of the claimed design.

**1 Claim, 3 Drawing Sheets**



(56)

**References Cited**

OTHER PUBLICATIONS

Will Gannett Fleming's SKYPORT Help Uber Take Ridesharing Up in the Air? by Kim O'Connell. dated Oct. 10, 2019. found online [Dec. 26, 2019] <https://www.autodesk.com/redshift/uber-skyport/>.\*

Meet Worlds Biggest Hotel. dated May 25, 2015. found online [May 22, 2020]. <http://www.financetwitter.com/2015/05/meet-worlds-biggest-hotel-abraj-kudai-10000-rooms-12-towers-4-helipads.html>.\*

\* cited by examiner

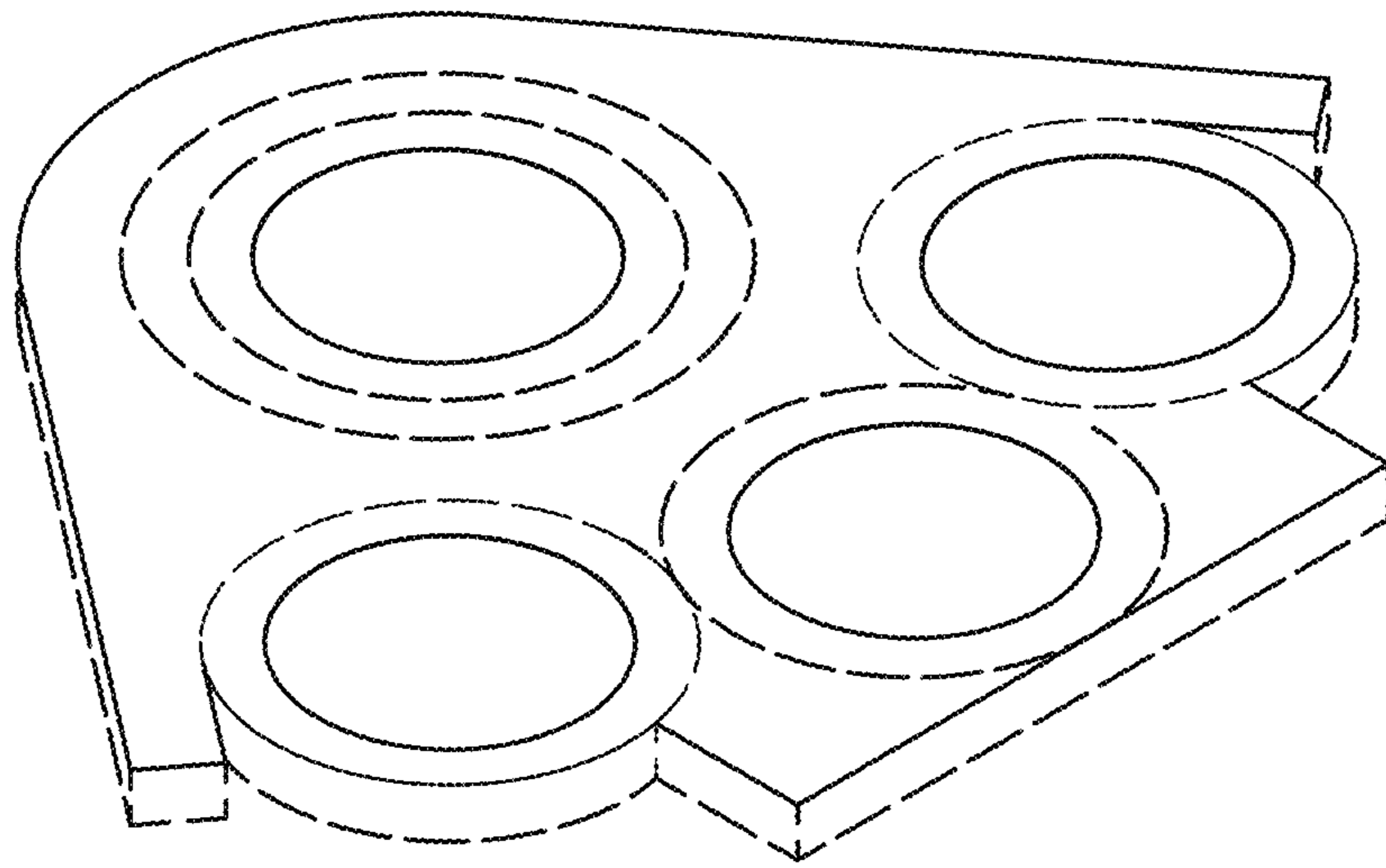


FIG. 1

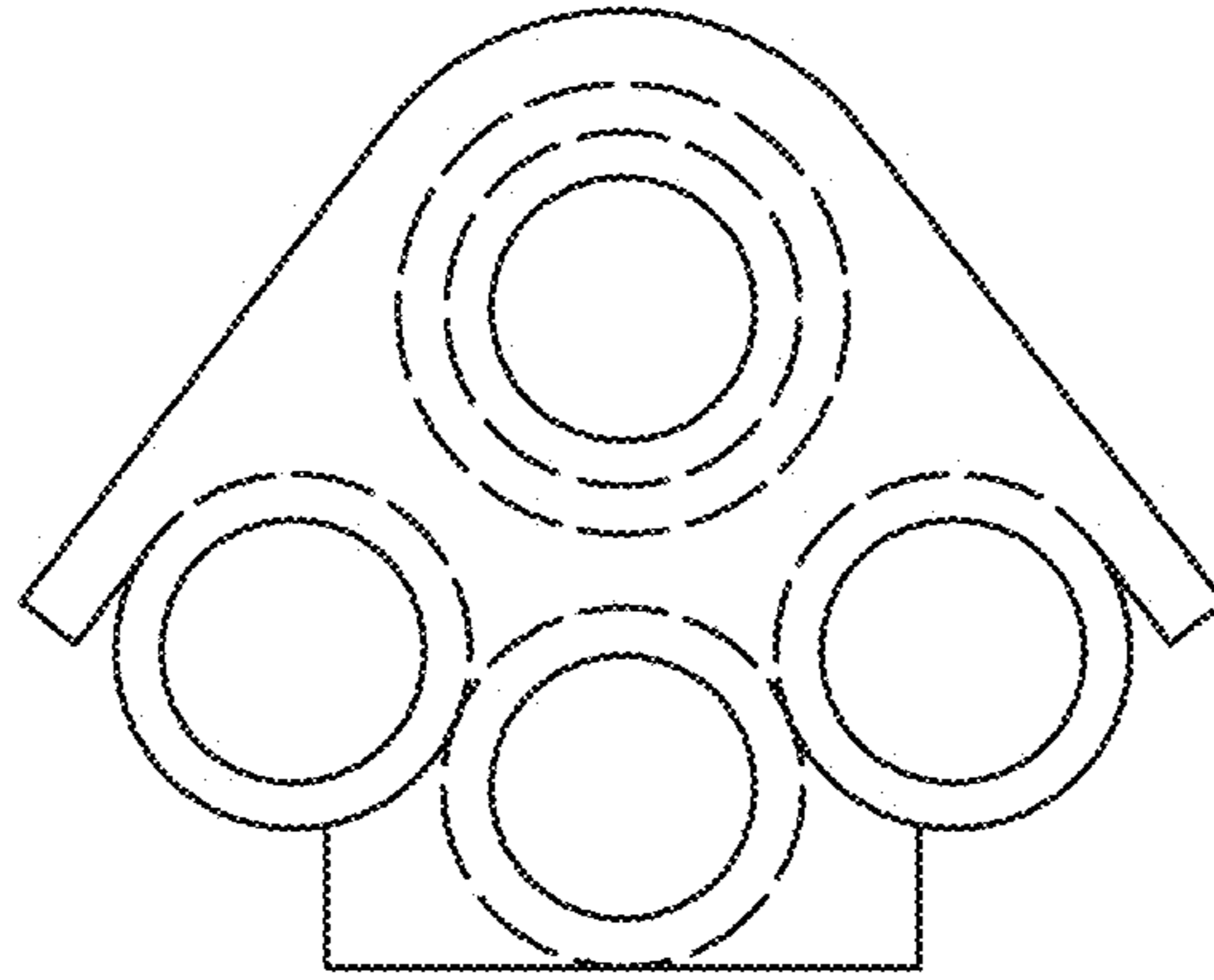


FIG. 2

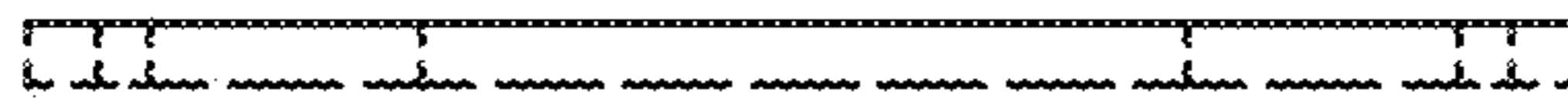


FIG. 3

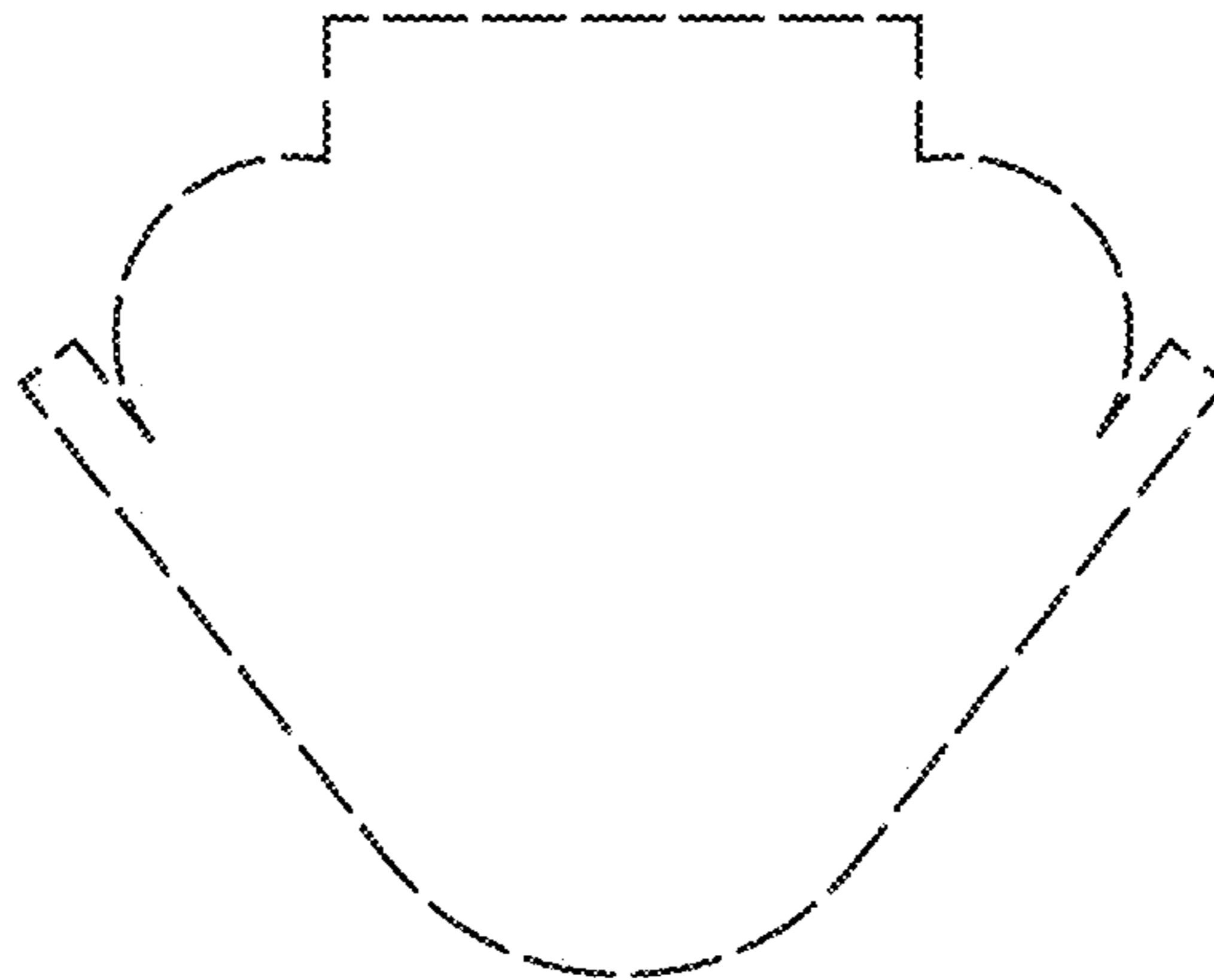


FIG. 4

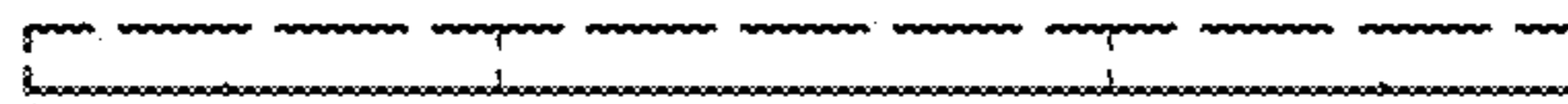


FIG. 5

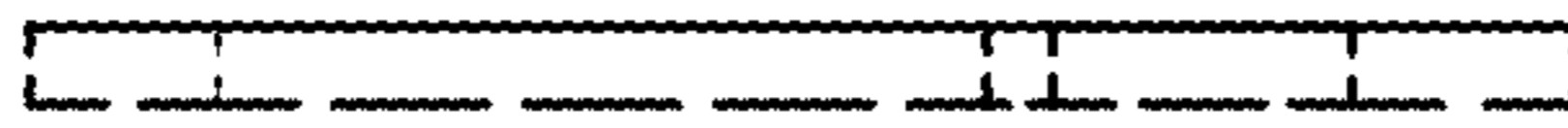


FIG. 6

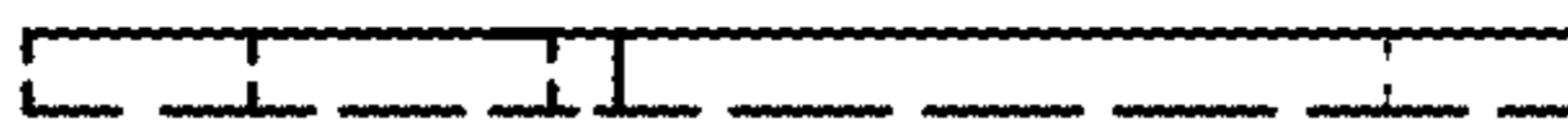


FIG. 7