



US00D906942S

(12) **United States Design Patent**  
**Goldberg**

(10) **Patent No.:** **US D906,942 S**

(45) **Date of Patent:** **\*\* Jan. 5, 2021**

(54) **WATERCRAFT**

(71) Applicant: **Ryan D. Goldberg**, Jupiter, FL (US)

(72) Inventor: **Ryan D. Goldberg**, Jupiter, FL (US)

(\*\*) Term: **15 Years**

(21) Appl. No.: **29/669,521**

(22) Filed: **Nov. 8, 2018**

(51) **LOC (13) Cl.** ..... **12-06**

(52) **U.S. Cl.**  
USPC ..... **D12/317**

(58) **Field of Classification Search**  
USPC ..... D12/3, 5, 300, 309, 317, 324, 316, 214,  
D12/318, 305, 222, 159; D21/542  
CPC .. B63B 11/00; B63B 1/24; B63B 1/26; B63B  
1/28; B63B 32/60; B63B 3/26; B63H  
7/02; B63H 21/17; B63C 13/00; B60F  
3/00

See application file for complete search history.

(56) **References Cited**

**U.S. PATENT DOCUMENTS**

3,646,904 A	3/1972	Lanning et al.	
4,494,937 A	1/1985	Riermann	
4,593,640 A	6/1986	Blunski	
D307,414 S	4/1990	Lapointe	
5,188,049 A	2/1993	Graf	
5,199,367 A	4/1993	Horiuchi et al.	
D343,609 S	1/1994	Lane	
D478,025 S *	8/2003	Cartwright	D12/107
D500,707 S *	1/2005	Lu	D12/87
D503,658 S *	4/2005	Lu	D12/87
D555,548 S *	11/2007	Nelson	D12/159
D564,410 S *	3/2008	Lepage	D12/87
D585,788 S *	2/2009	Burns	D12/87
D585,789 S *	2/2009	Burns	D12/87
D585,790 S *	2/2009	Burns	D12/87
D586,260 S *	2/2009	Burns	D12/87
D586,696 S *	2/2009	Burns	D12/87
7,497,182 B2	3/2009	Grove	
9,409,627 B2 *	8/2016	Fulop	B63B 7/02

D816,009 S \* 4/2018 Reynolds ..... D12/222  
10,106,226 B2 \* 10/2018 Darling ..... B63B 3/26  
2004/0112266 A1 6/2004 Rosen

**OTHER PUBLICATIONS**

Airboat West, www.airboatwest.com [online]. Published on or before May 20, 2020, [retrieved on May 20, 2020]. Retrieved from the Internet: <URL:www.airboatwest.com> (Year: 2020).\*

(Continued)

*Primary Examiner* — Michael A. Pratt

*Assistant Examiner* — Adam C Mager

(74) *Attorney, Agent, or Firm* — Nath, Goldberg & Meyer; Richard C. Litman

(57) **CLAIM**

The ornamental design for a watercraft, as shown and described.

**DESCRIPTION**

FIG. 1 is the environmental perspective view of the design of the frame of the watercraft.

FIG. 2 is a front elevational view of the frame of the watercraft.

FIG. 3 is a rear elevational view of the frame of the watercraft;

FIG. 4 is a top plan view of the frame of the watercraft.

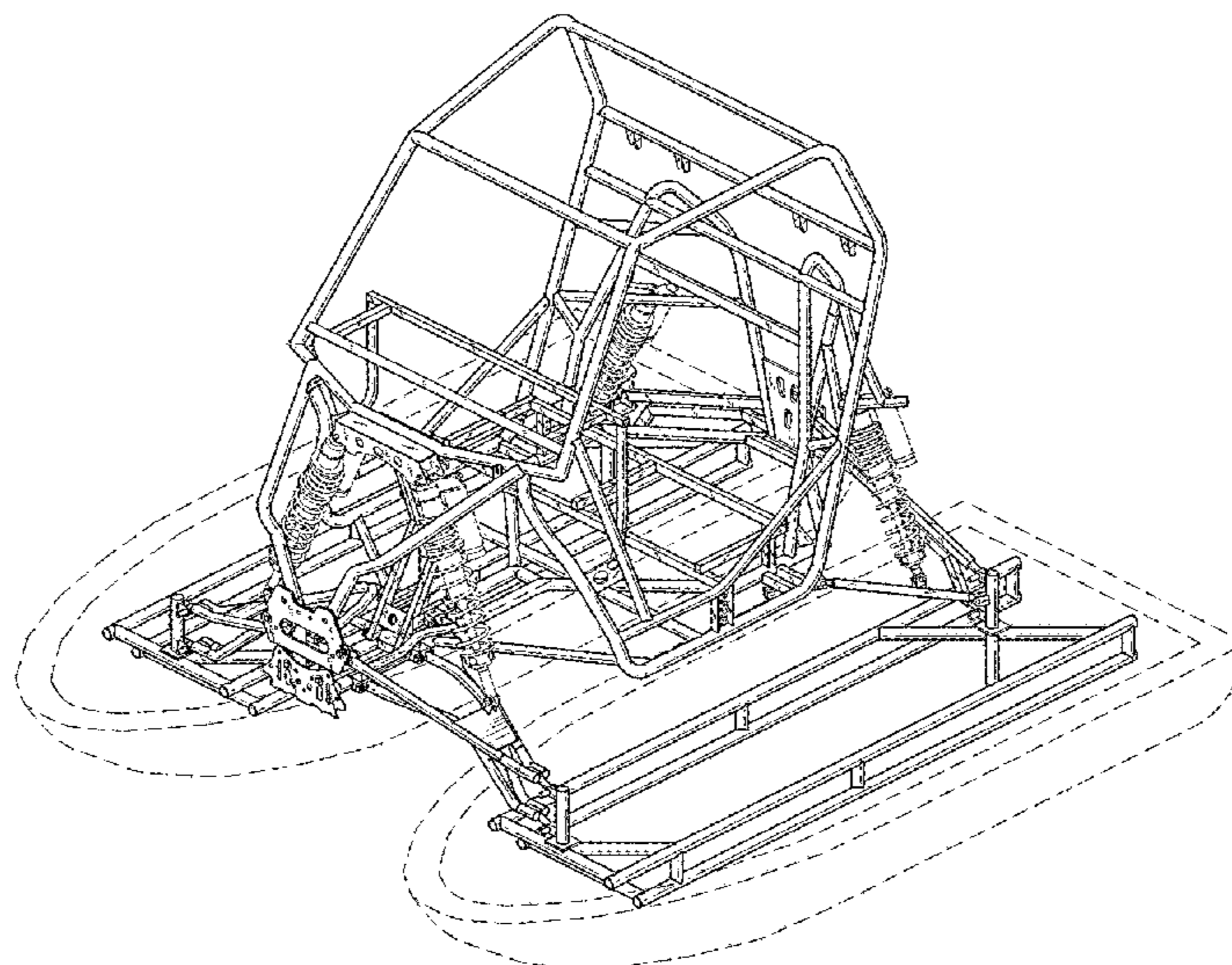
FIG. 5 is a bottom view of the frame of the watercraft.

FIG. 6 is the left side elevational view of the frame of the watercraft; and,

FIG. 7 is the right side elevational view of the frame of the watercraft.

The floatation members, seat, shock absorbers, and the fasteners for the shock absorbers showing in dashed lines are included for the purpose of illustrating portions of the watercraft and form no part of the claimed design.

**1 Claim, 7 Drawing Sheets**



(56)

**References Cited**

OTHER PUBLICATIONS

Prop vehicle airboat, developer.valvesoftware.com [online]. Published on or before May 20, 2020, [retrieved on May 20, 2020]. Retrieved from the Internet: <URL:https://developervalvesoftware.com/wiki/Prop\_vehicle\_airboat> (Year: 2020).\*

http://nauti-craft.com/, Nauti-Craft™ Marine Suspension Technology, printed from the Internet on Apr. 12, 2016, 1 page.

\* cited by examiner

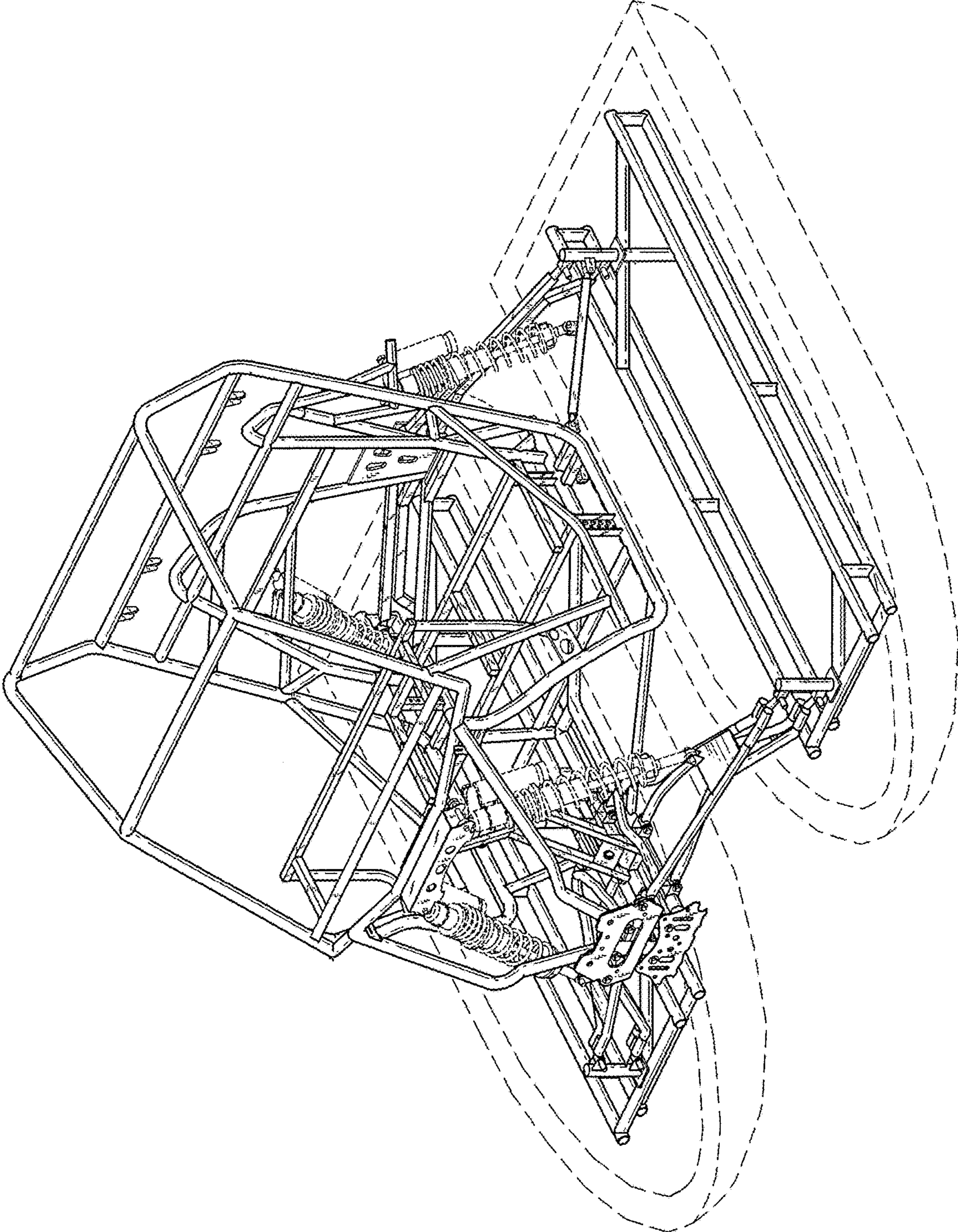


FIG. 1

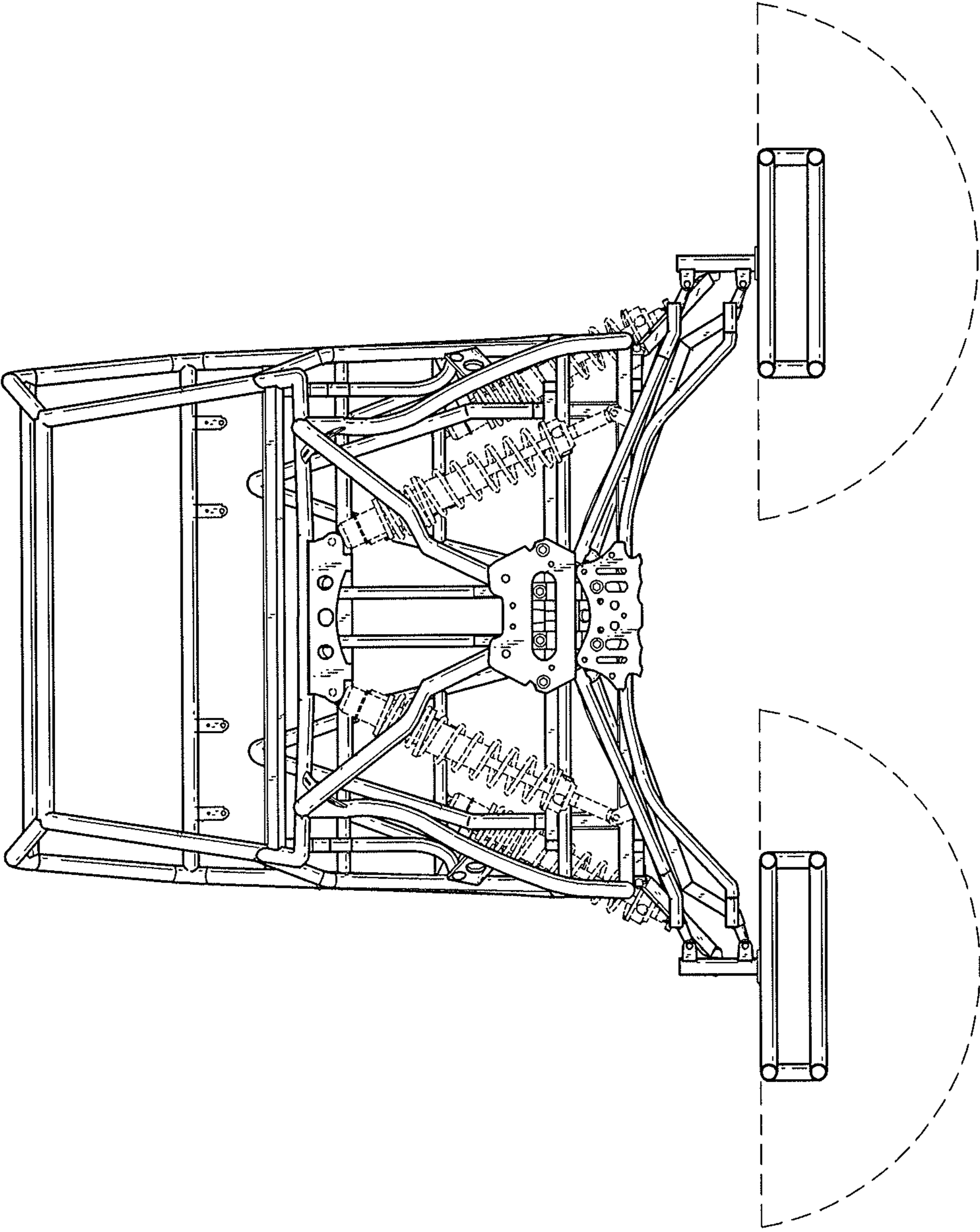


FIG. 2

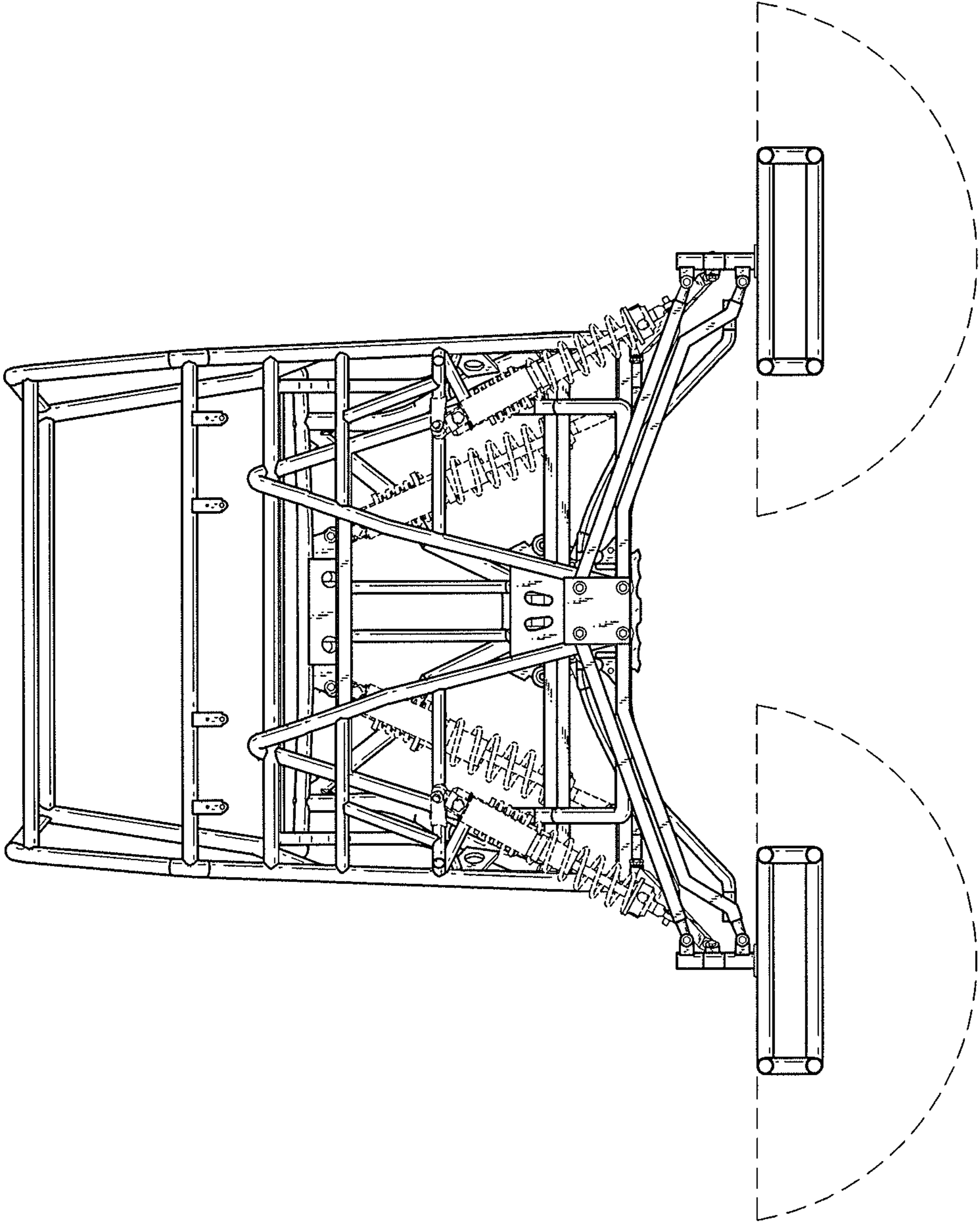
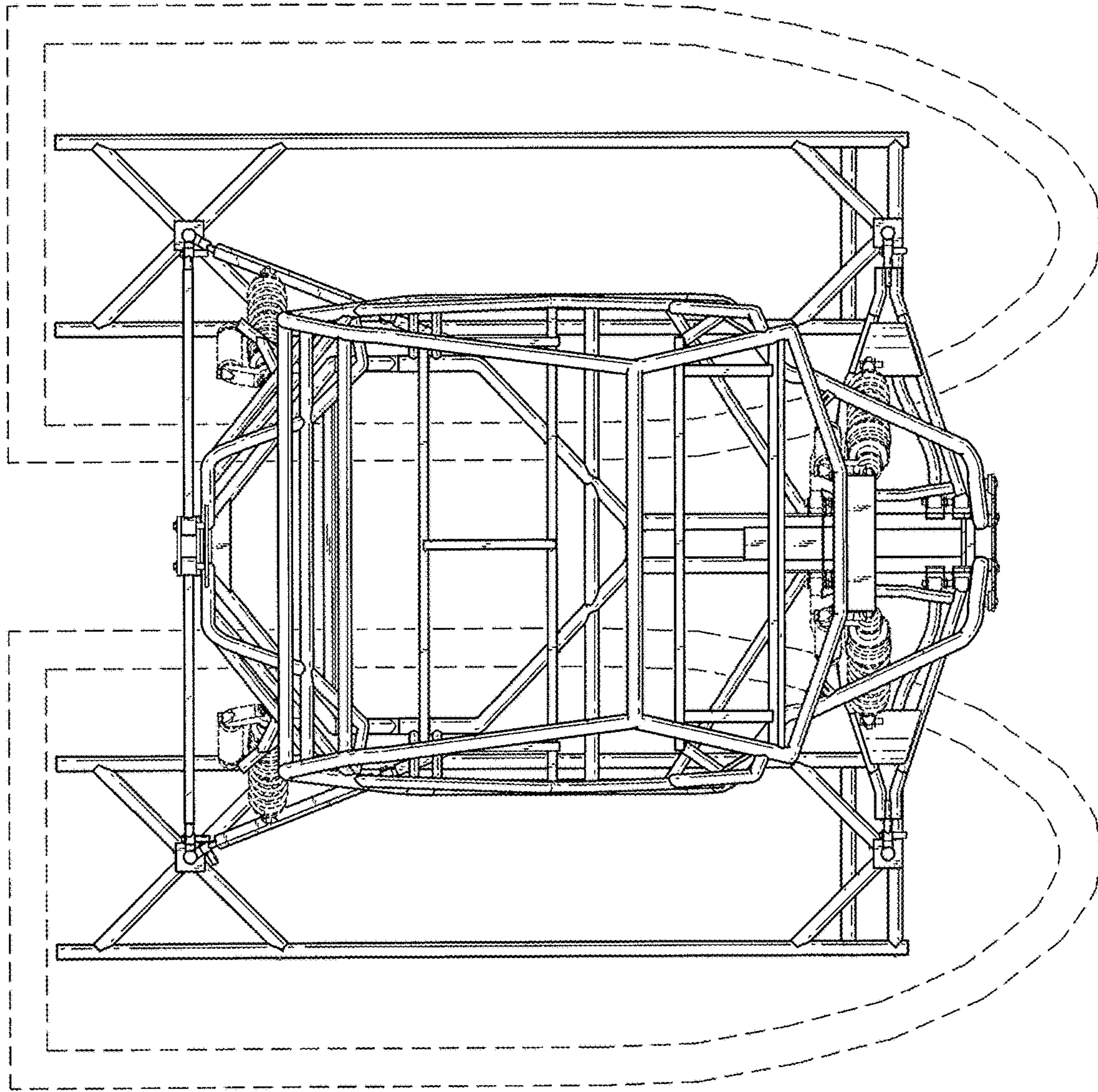
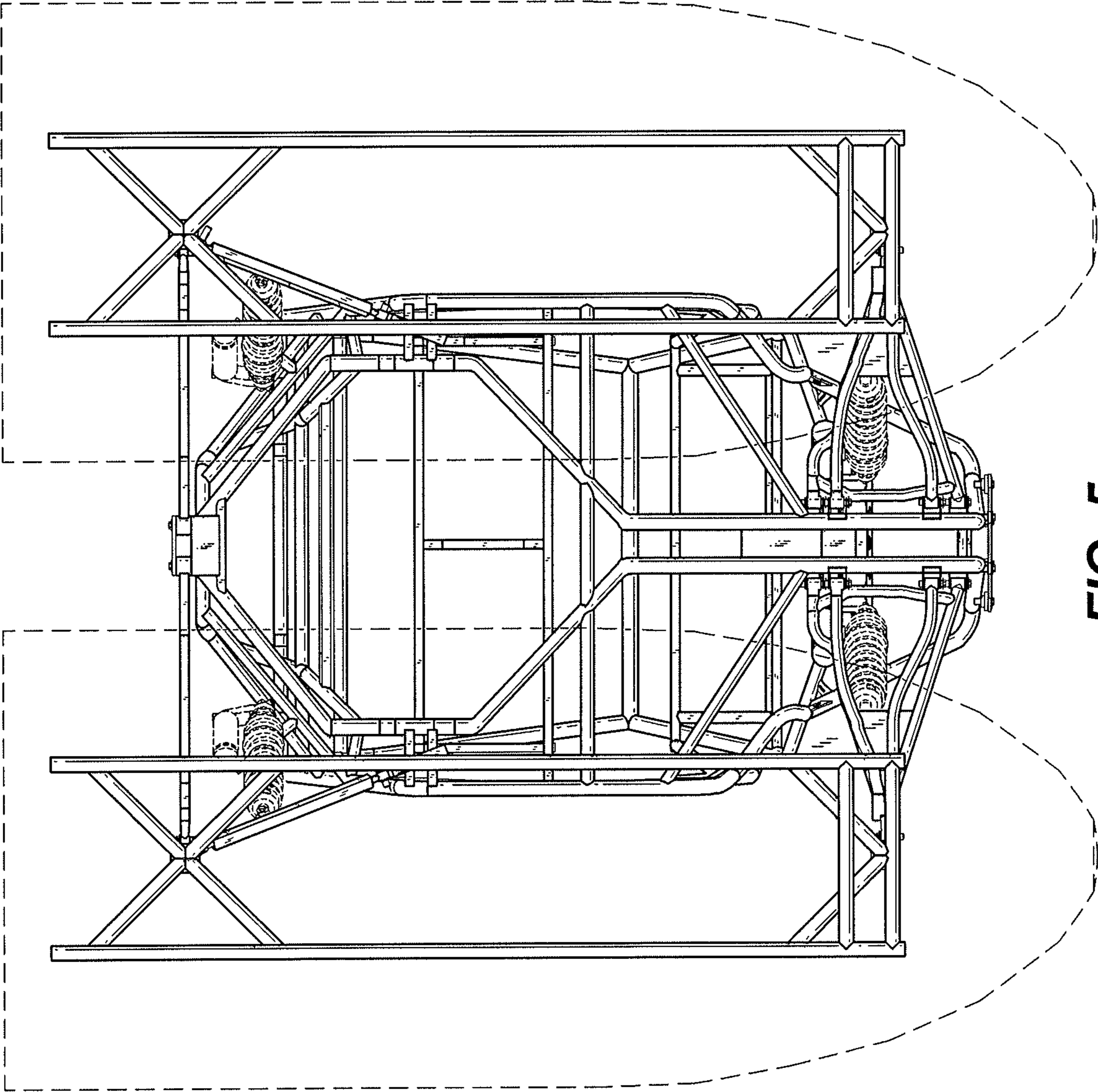


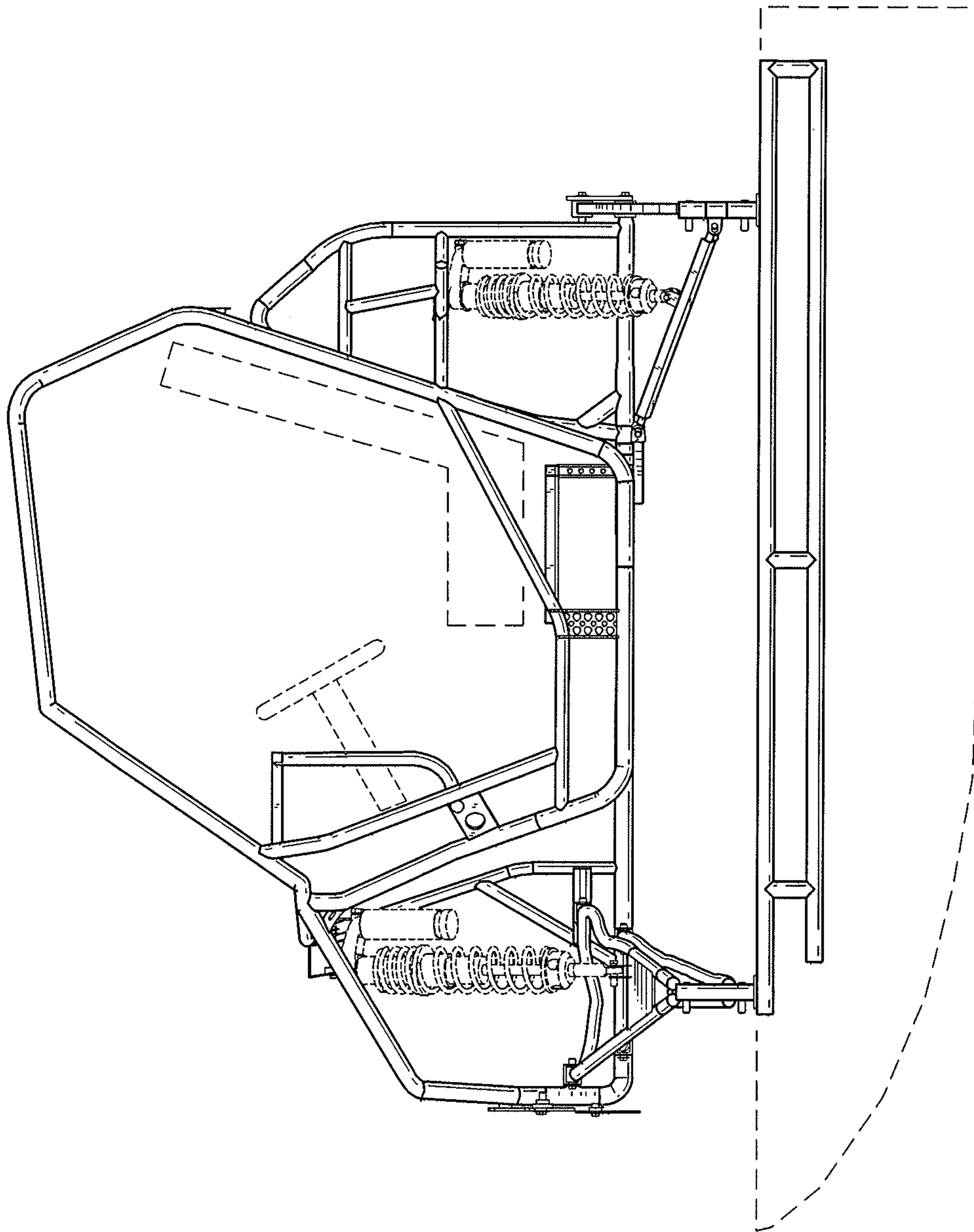
FIG. 3



**FIG. 4**

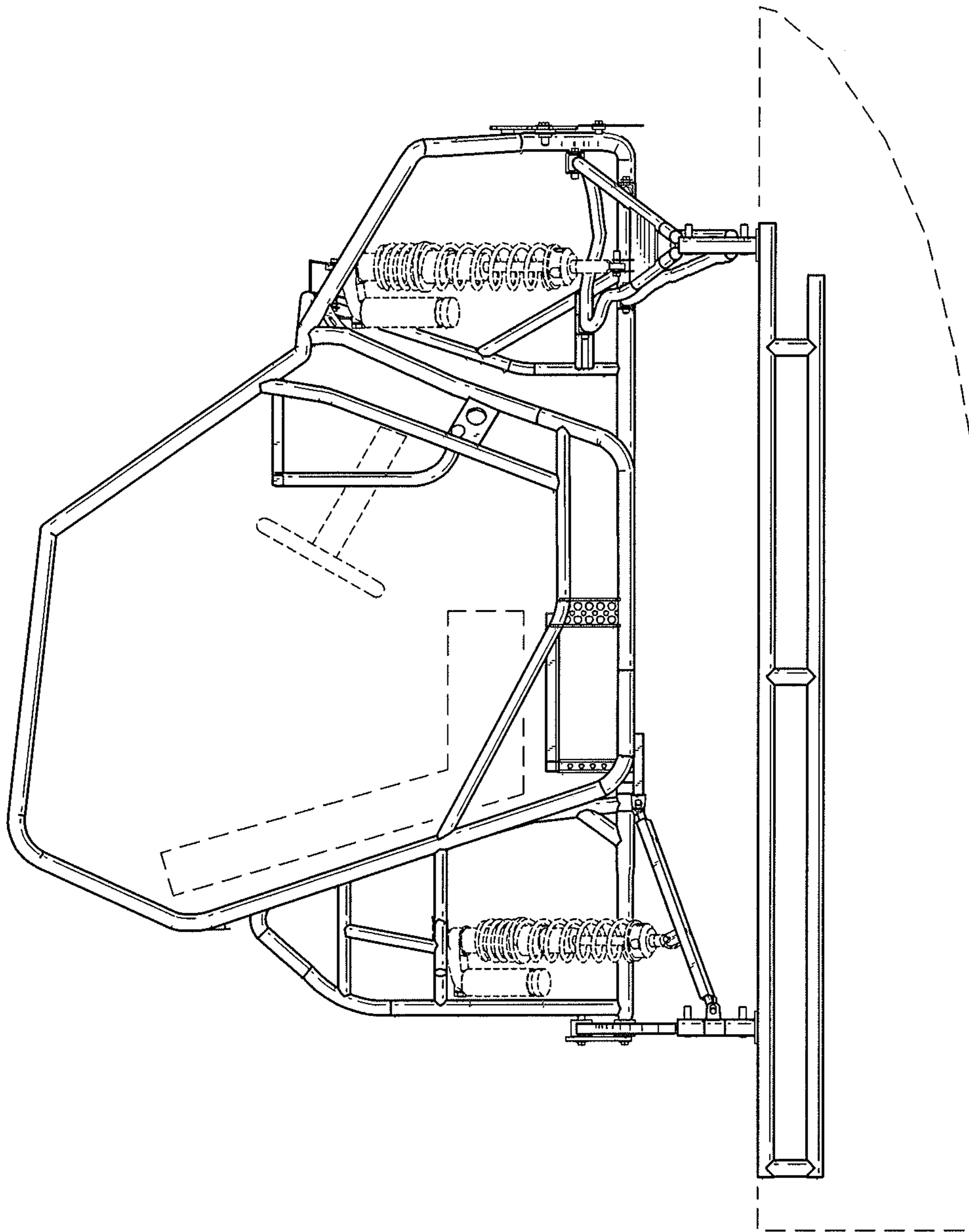


**FIG. 5**



**FIG. 6**





**FIG. 7**