



US00D906939S

(12) **United States Design Patent**
Ma

(10) **Patent No.:** **US D906,939 S**

(45) **Date of Patent:** **** Jan. 5, 2021**

(54) **VEHICLE WHEEL**

(71) Applicant: **CITIC Dicastal Co., Ltd.**,
Qinhuangdao (CN)

(72) Inventor: **Liang Ma**, Qinhuangdao (CN)

(73) Assignee: **CITIC Dicastal Co., Ltd.**,
Qinhuangdao (CN)

(**) Term: **15 Years**

(21) Appl. No.: **29/708,423**

(22) Filed: **Oct. 6, 2019**

(30) **Foreign Application Priority Data**

Jun. 17, 2019 (CN) 2019 3 0311943

(51) **LOC (13) Cl.** **12-16**

(52) **U.S. Cl.**
USPC **D12/211**

(58) **Field of Classification Search**

USPC D12/204–213; D21/563

CPC B60B 7/00; B60B 7/02; B60B 7/04; B60B

7/01; B60B 7/06; B60B 3/02; B60B 3/04;

B60B 3/06; B60B 3/10; B60B 1/00;

B60B 1/08; B60B 1/10; B60B 1/12

See application file for complete search history.

(56) **References Cited**

U.S. PATENT DOCUMENTS

D668,197 S * 10/2012 Gotschke D12/211

D688,189 S * 8/2013 Alfonso D12/211

D702,613 S *	4/2014	Scheinhutte	D12/211
D748,035 S *	1/2016	Wagener	D12/211
D749,031 S *	2/2016	Zhao	D12/211
D755,101 S *	5/2016	Gallert	D12/211
D760,636 S *	7/2016	Kolb	D12/211
D791,048 S *	7/2017	Valencia Pollex	D12/211
D822,576 S *	7/2018	Austin	D12/211
D824,318 S *	7/2018	Wheel	D12/211
D826,828 S *	8/2018	Wheel	D12/211
D830,932 S *	10/2018	Zhao	D12/209
D844,532 S *	4/2019	Austin	D12/211
D845,202 S *	4/2019	Battams	D12/209
D857,589 S *	8/2019	Valencia Pollex	D12/209
D867,963 S *	11/2019	Battams	D12/209
D882,485 S *	4/2020	Woodhouse	D12/209
D887,940 S *	6/2020	Preyss	D12/209

* cited by examiner

Primary Examiner — Stacia A Cadmus

(74) *Attorney, Agent, or Firm* — IPro, PLLC; Qian Gu

(57) **CLAIM**

The ornamental design for a vehicle wheel, as shown and described.

DESCRIPTION

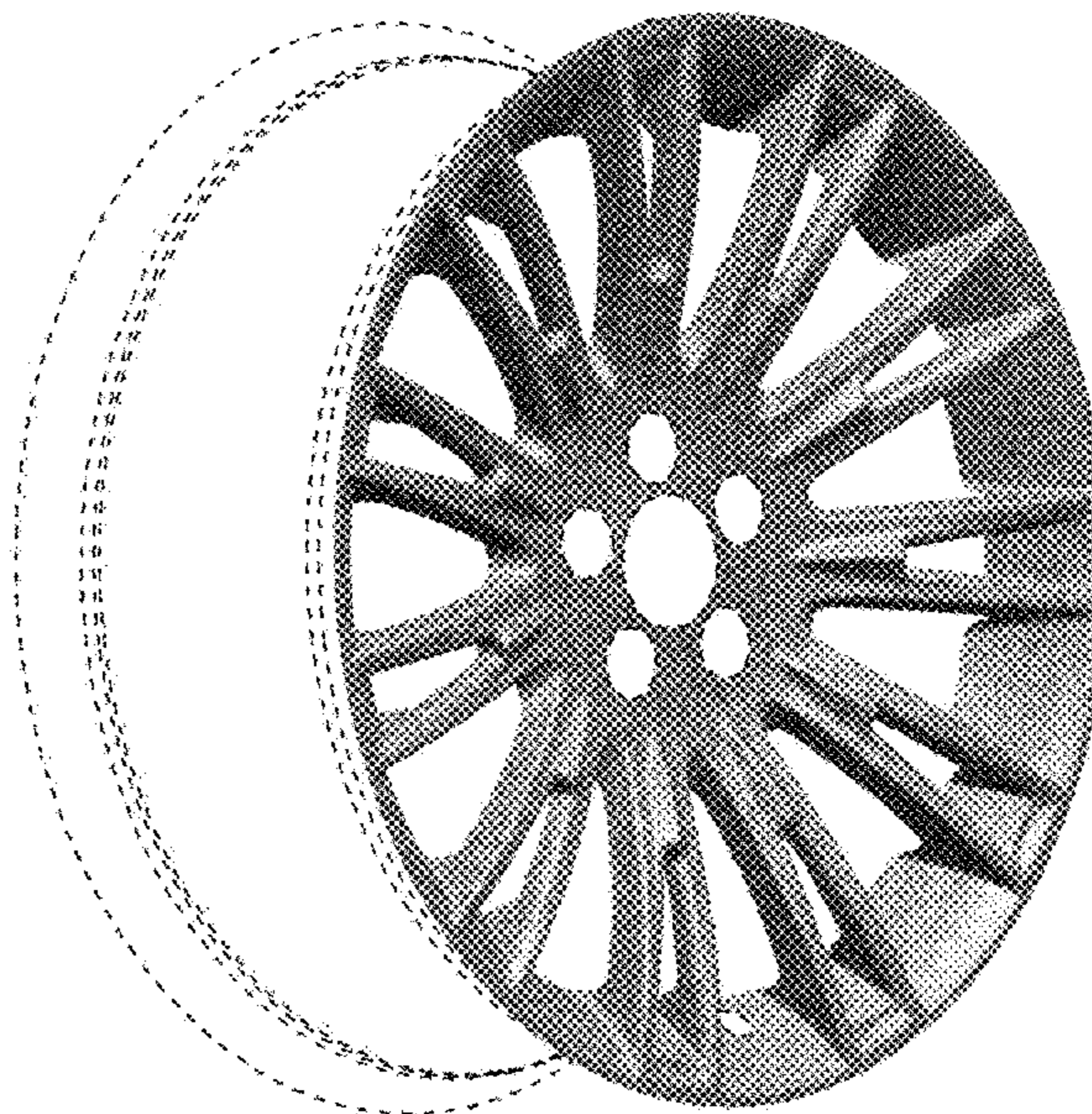
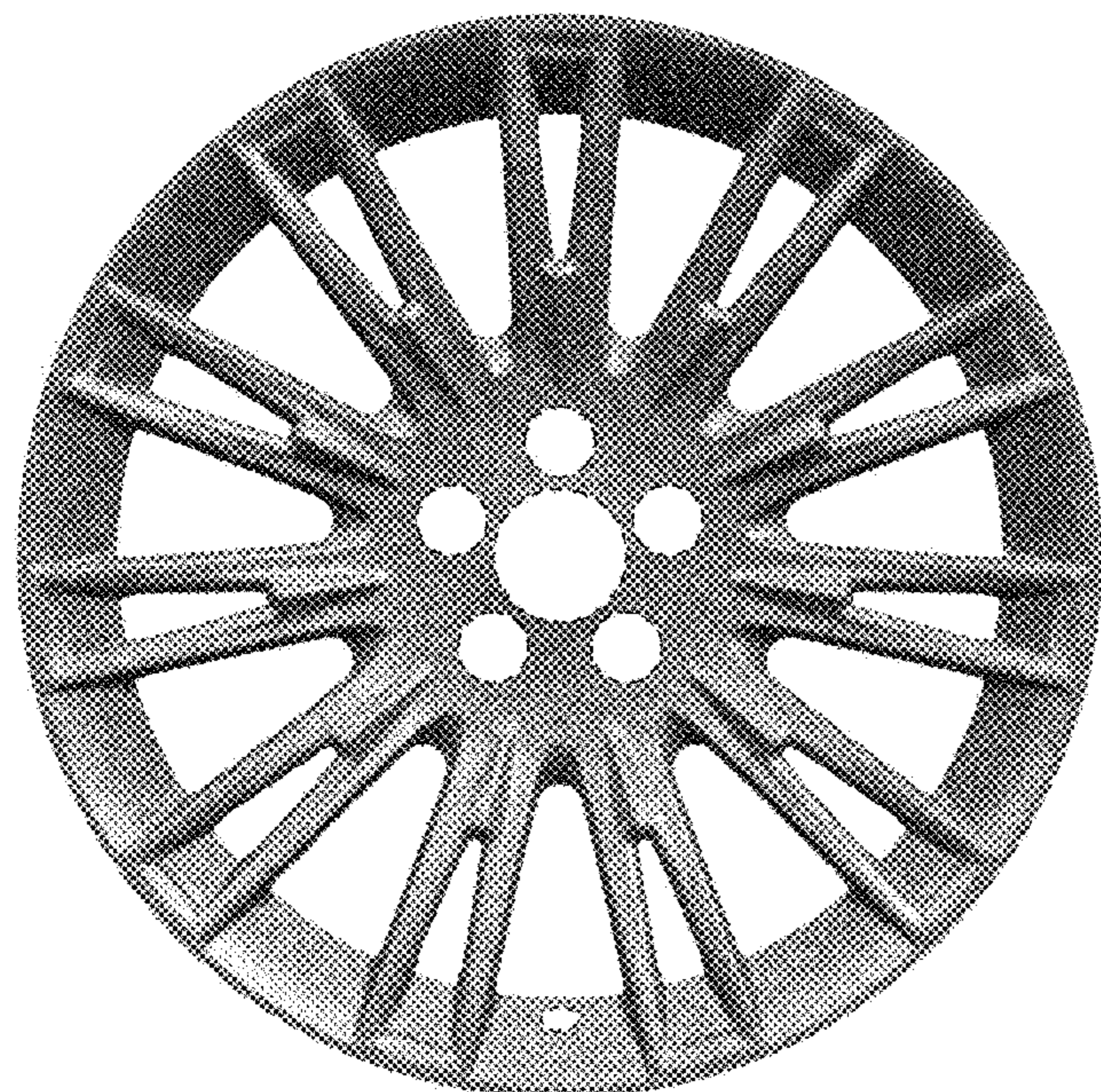
FIG. 1 is a front view of a vehicle wheel.

FIG. 2 is a perspective view of the vehicle wheel; and,

FIG. 3 is a left side view of the vehicle wheel.

The broken line showing of the rear of the rim, the valve stem hole, the bolt holes and the center hole in the central hub area is included for the purpose of illustrating environment and forms no part of the claimed design.

1 Claim, 3 Drawing Sheets



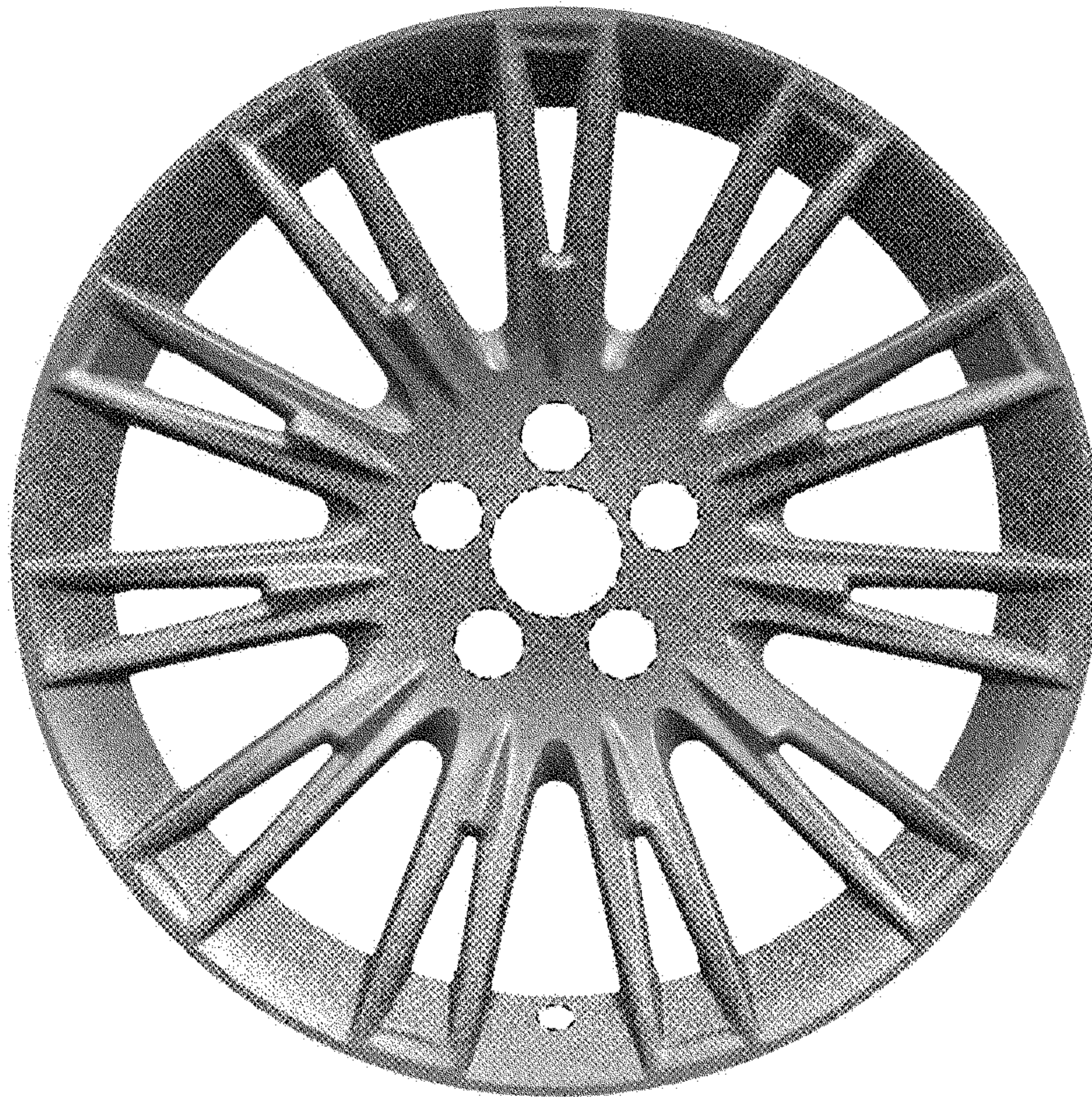


FIG. 1

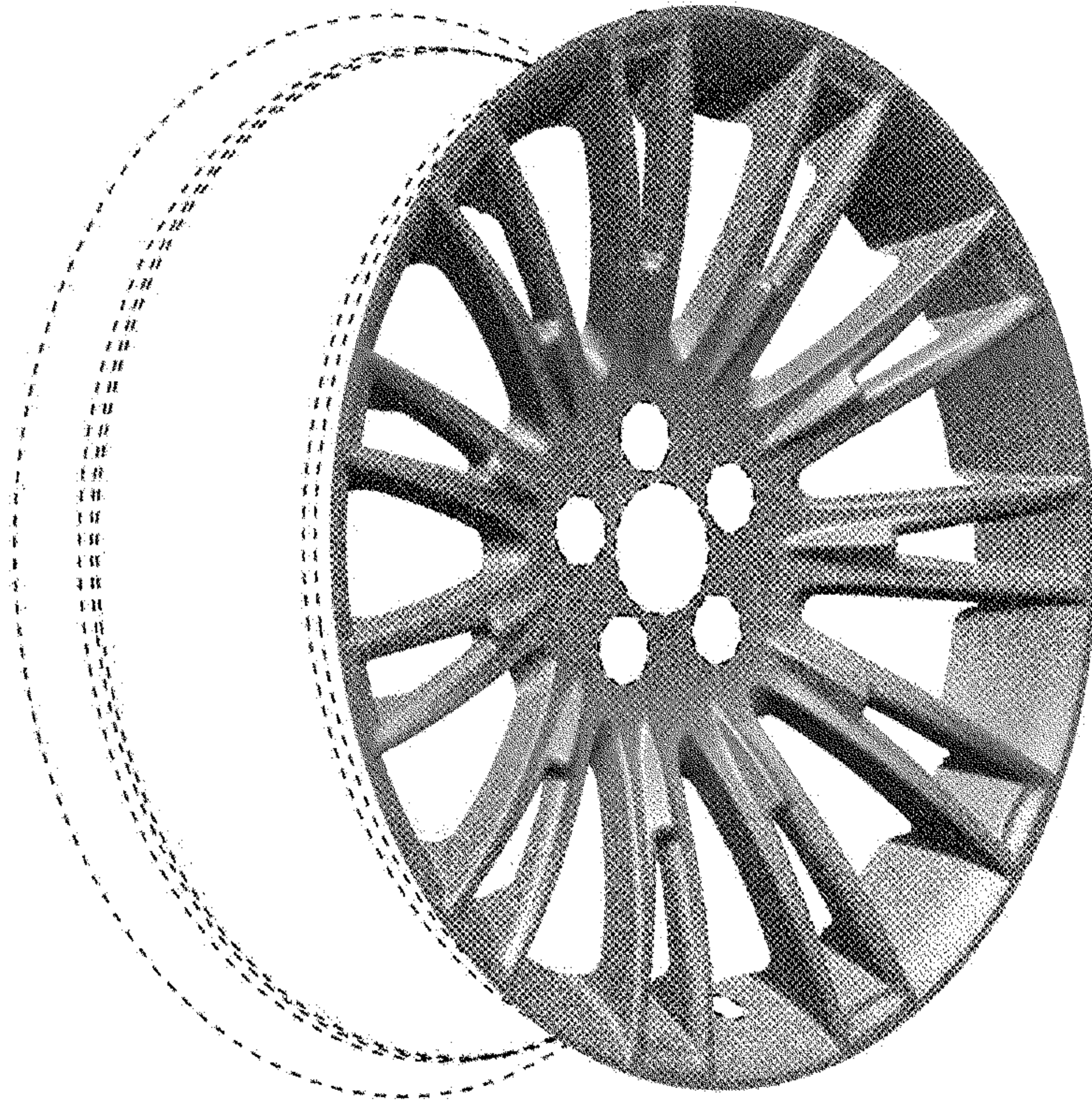


FIG. 2

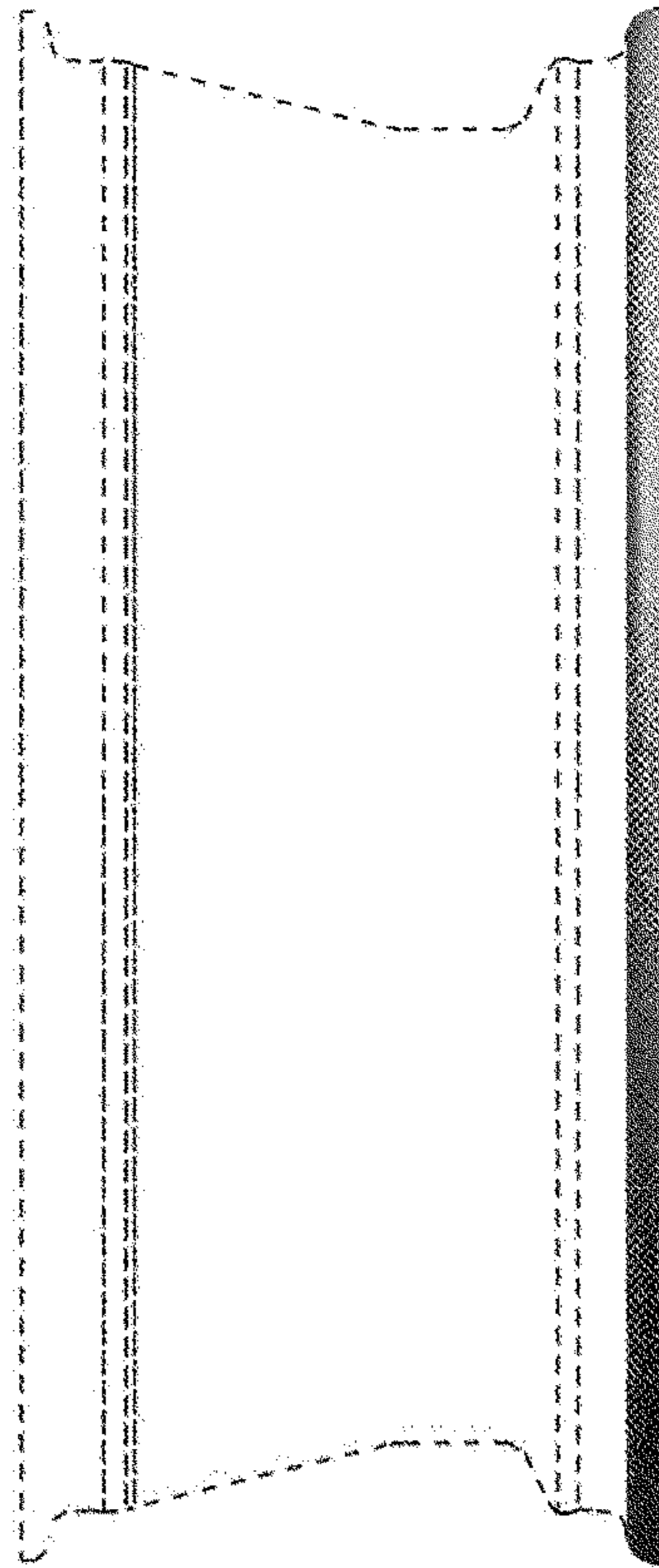


FIG. 3