



US00D906937S

(12) **United States Design Patent**  
**Li et al.**

(10) **Patent No.:** **US D906,937 S**  
(45) **Date of Patent:** **\*\* Jan. 5, 2021**

(54) **VEHICLE WHEEL**

(71) Applicant: **CITIC Dicastal Co., Ltd.**,  
Qinhuangdao (CN)  
(72) Inventors: **Zhen Li**, Qinhuangdao (CN); **Peng**  
**Zhou**, Qinhuangdao (CN); **Song Sheng**,  
Qinhuangdao (CN)  
(73) Assignee: **CITIC Dicastal Co., Ltd.**,  
Qinhuangdao (CN)  
(\*\*) Term: **15 Years**

(21) Appl. No.: **29/713,927**

(22) Filed: **Nov. 19, 2019**

(30) **Foreign Application Priority Data**

May 29, 2019 (CN) ..... 2019 3 0269426

(51) **LOC (13) Cl.** ..... **12-16**

(52) **U.S. Cl.**  
USPC ..... **D12/209**

(58) **Field of Classification Search**  
USPC ..... D12/204-213; D21/563  
CPC .... B60B 7/00; B60B 7/02; B60B 7/04; B60B  
7/01; B60B 7/06; B60B 3/02; B60B 3/04;  
B60B 3/06; B60B 3/10; B60B 1/00;  
B60B 1/08; B60B 1/10; B60B 1/12  
See application file for complete search history.

(56) **References Cited**

U.S. PATENT DOCUMENTS

D501,441 S *	2/2005	Rosenbohm .....	D12/211
D535,934 S *	1/2007	Scheu .....	D12/211
D570,274 S *	6/2008	Scheu .....	D12/211
D594,804 S *	6/2009	Laengerer .....	D12/211
D614,114 S *	4/2010	Kim .....	D12/211
D644,589 S *	9/2011	Fisker .....	D12/211
D676,794 S *	2/2013	Hilpert .....	D12/209
D751,016 S *	3/2016	Valencia Pollex .....	D12/209
D793,321 S *	8/2017	Valencia Pollex .....	D12/209
D795,778 S *	8/2017	Valencia Pollex .....	D12/211
D798,216 S *	9/2017	Snyder .....	D12/211
D867,256 S *	11/2019	Li .....	D12/209

\* cited by examiner

*Primary Examiner* — Stacia A Cadmus

(74) *Attorney, Agent, or Firm* — IPro, PLLC; Qian Gu

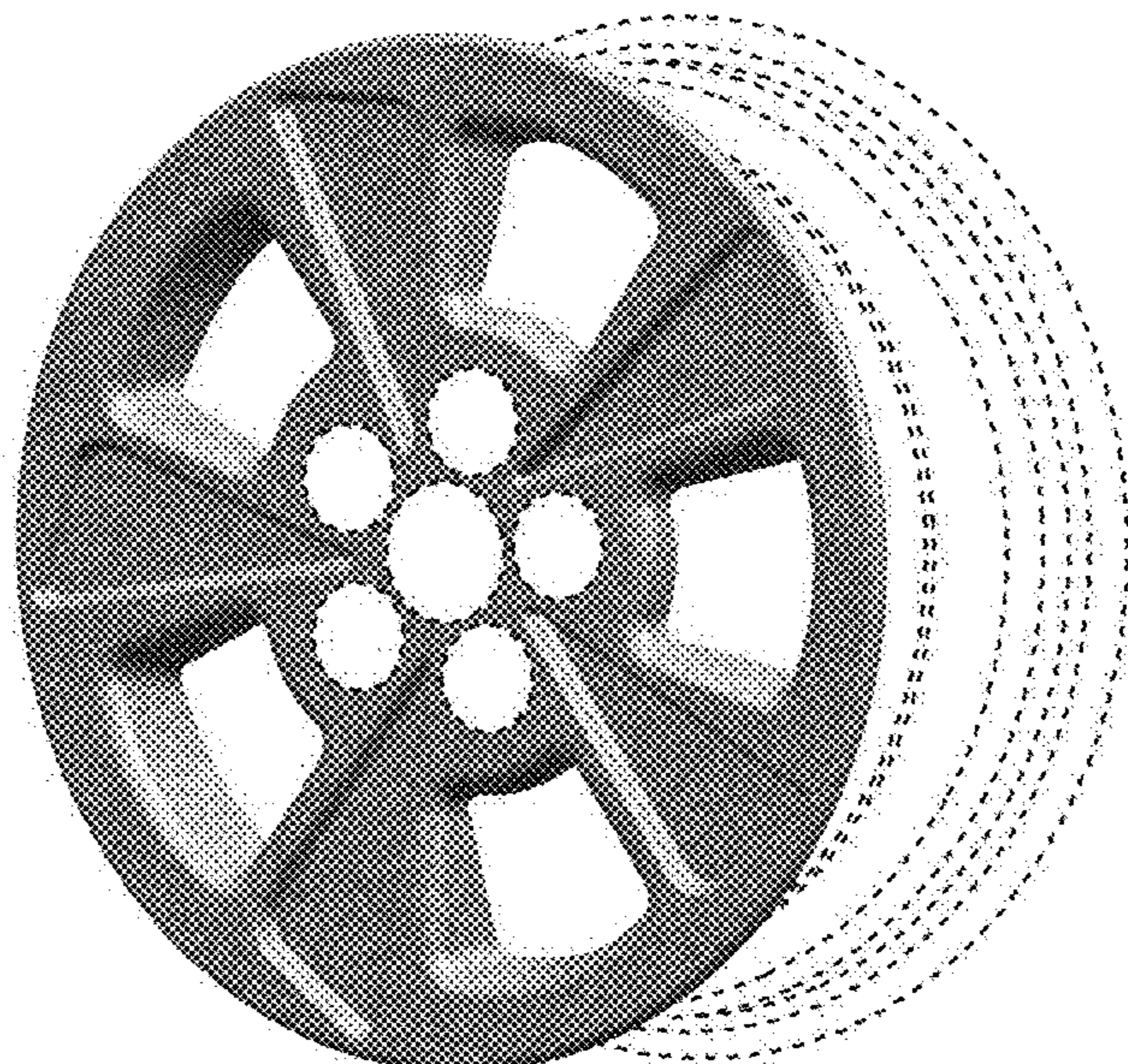
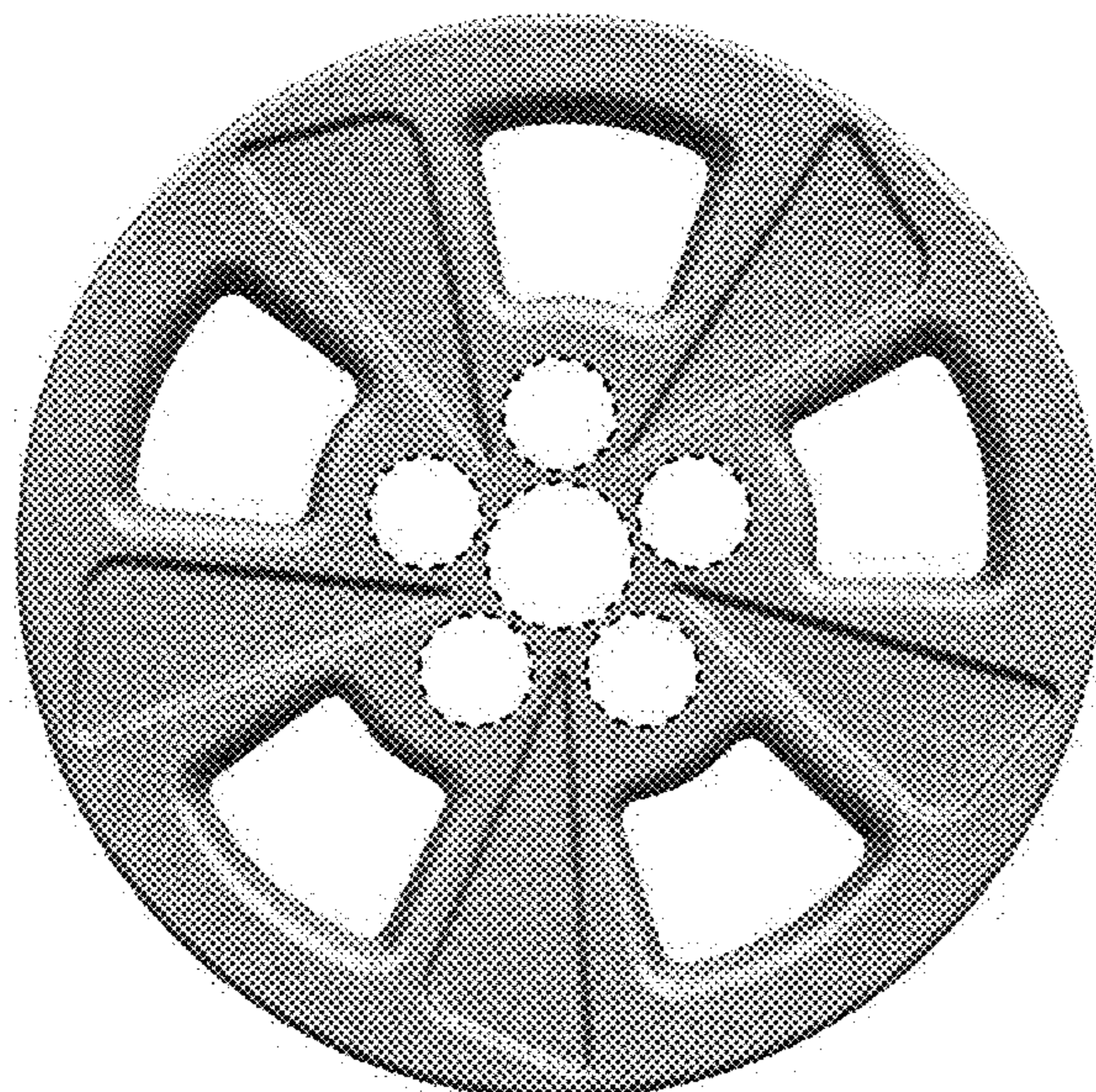
(57) **CLAIM**

The ornamental design for a vehicle wheel, as shown and described.

**DESCRIPTION**

FIG. 1 is a front view of a vehicle wheel.  
FIG. 2 is a perspective view of the vehicle wheel; and,  
FIG. 3 is a left side view of the vehicle wheel.  
The broken line showing of the rear of the rim, the valve stem hole, the bolt holes and the center hole in the central hub area is included for the purpose of illustrating environment and forms no part of the claimed design.

**1 Claim, 3 Drawing Sheets**



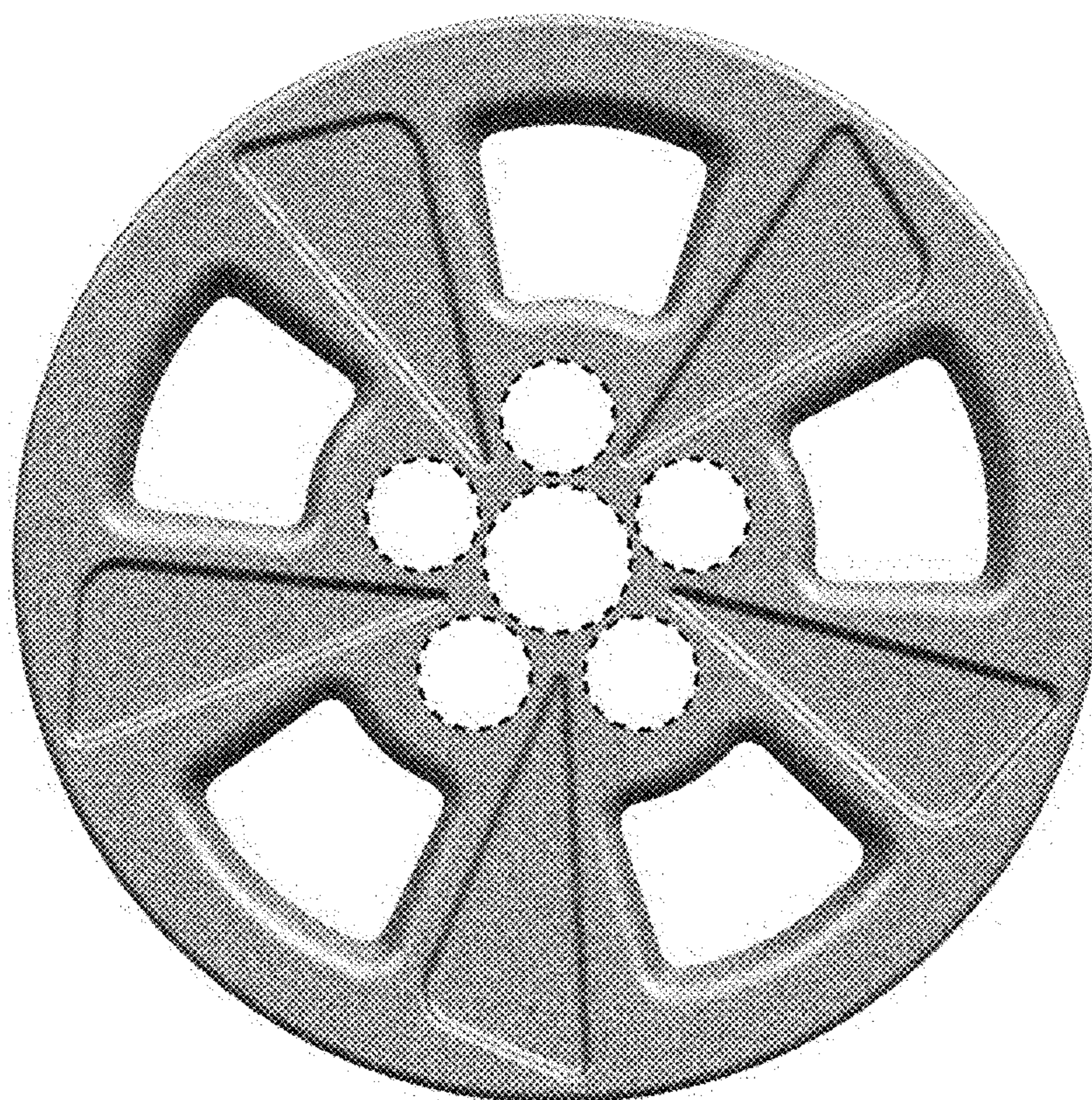


FIG. 1

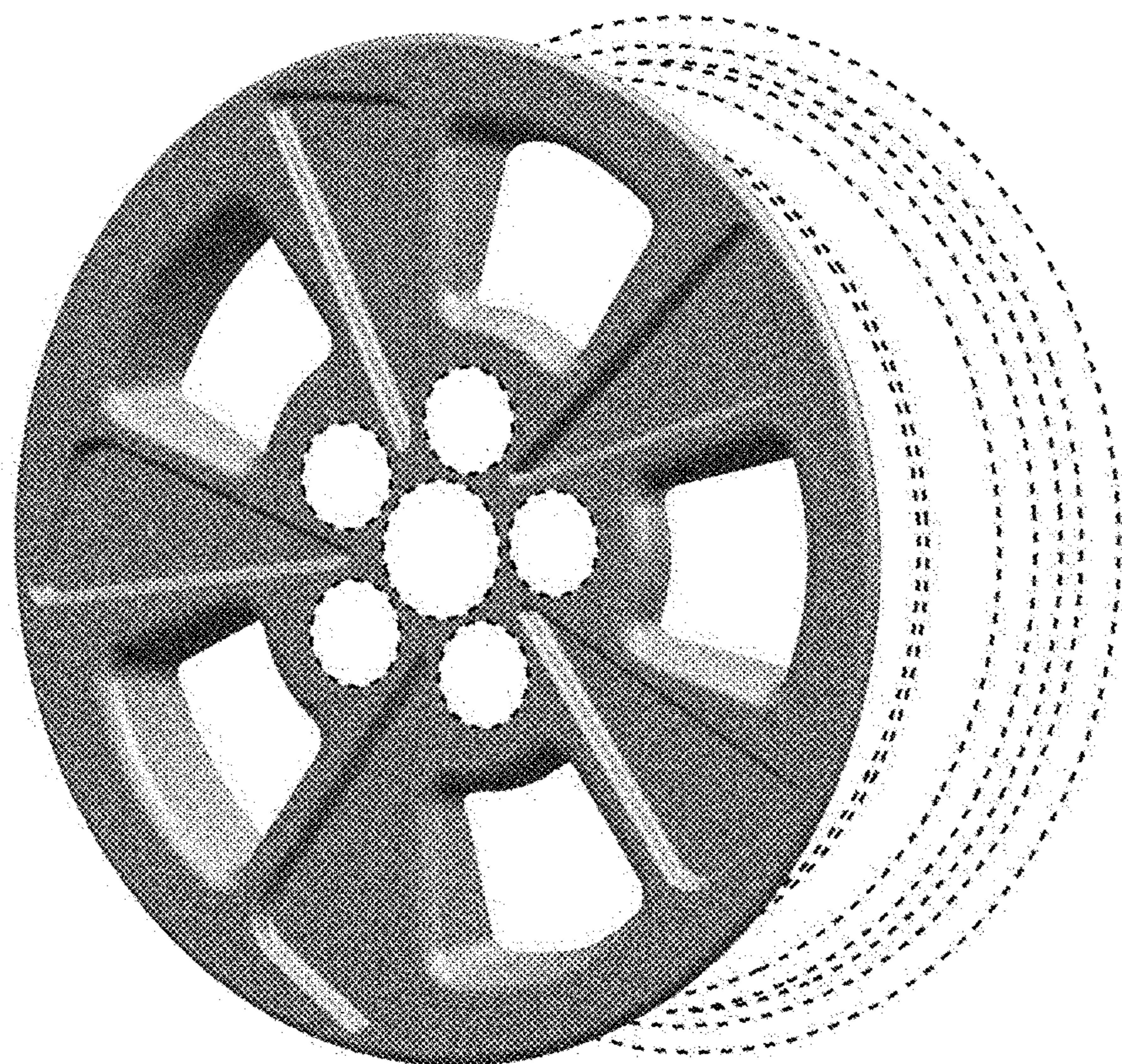


FIG. 2

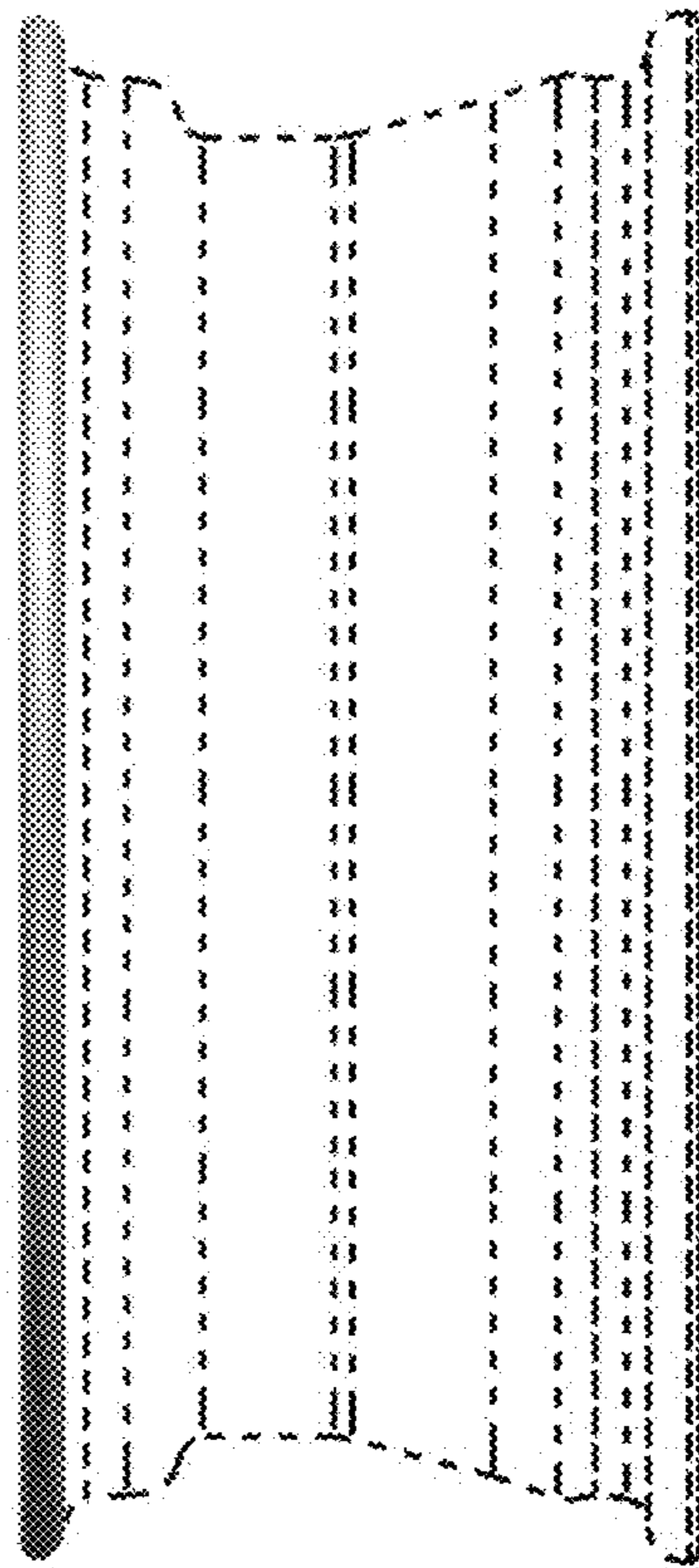


FIG. 3