



US00D906935S

(12) **United States Design Patent**
Li et al.

(10) **Patent No.:** **US D906,935 S**
(45) **Date of Patent:** **** Jan. 5, 2021**

(54) **VEHICLE WHEEL**

(71) Applicant: **CITIC Dicastal Co., Ltd.**,
Qinhuangdao (CN)

(72) Inventors: **Zhen Li**, Qinhuangdao (CN); **Peng Zhou**, Qinhuangdao (CN); **Song Sheng**, Qinhuangdao (CN)

(73) Assignee: **CITIC Dicastal Co., Ltd.**,
Qinhuangdao (CN)

(**) Term: **15 Years**

(21) Appl. No.: **29/713,925**

(22) Filed: **Nov. 19, 2019**

(30) **Foreign Application Priority Data**

May 29, 2019 (CN) 2019 3 0269403

(51) **LOC (13) Cl.** **12-16**

(52) **U.S. Cl.**
USPC **D12/209**

(58) **Field of Classification Search**
USPC D12/204-213; D21/563
CPC B60B 7/00; B60B 7/02; B60B 7/04; B60B 7/01; B60B 7/06; B60B 3/02; B60B 3/04; B60B 3/06; B60B 3/10; B60B 1/00; B60B 1/08; B60B 1/10; B60B 1/12

See application file for complete search history.

(56) **References Cited**

U.S. PATENT DOCUMENTS

| | | | | |
|--------------|--------|---------------|-------|---------|
| D519,431 S * | 4/2006 | Francis | | D12/209 |
| D548,160 S * | 8/2007 | Viandante | | D12/209 |
| D620,422 S * | 7/2010 | George | | D12/209 |
| D667,356 S * | 9/2012 | Gotschke | | D12/211 |
| D675,144 S * | 1/2013 | Mueller-Stolz | | D12/211 |
| D762,544 S * | 8/2016 | Hashimoto | | D12/209 |
| D851,570 S * | 6/2019 | Zhen | | D12/209 |
| D884,572 S * | 5/2020 | Steinhoff | | D12/209 |
| D889,356 S * | 7/2020 | Han | | D12/209 |

* cited by examiner

Primary Examiner — Stacia A Cadmus

(74) *Attorney, Agent, or Firm* — IPro, PLLC; Qian Gu

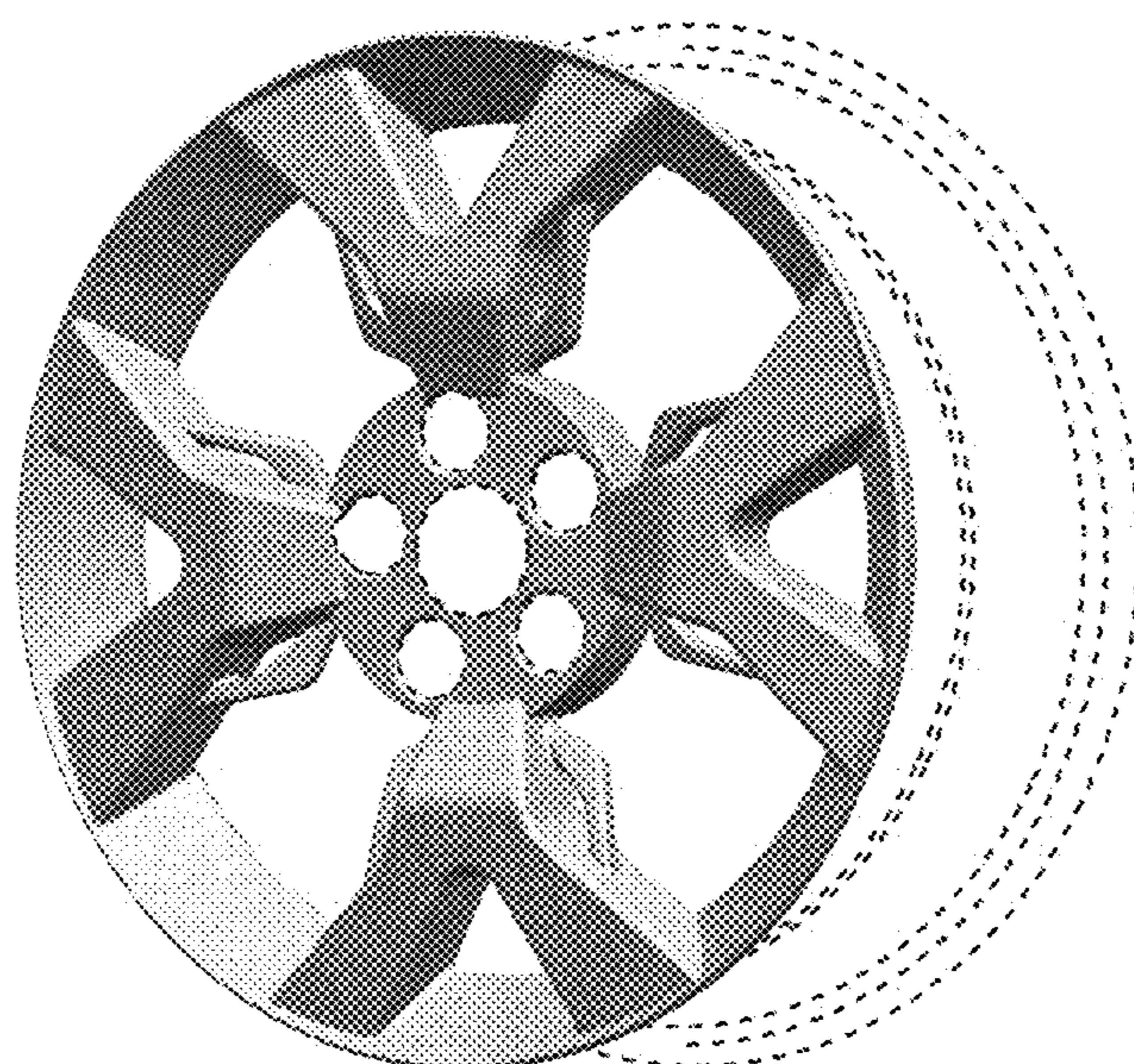
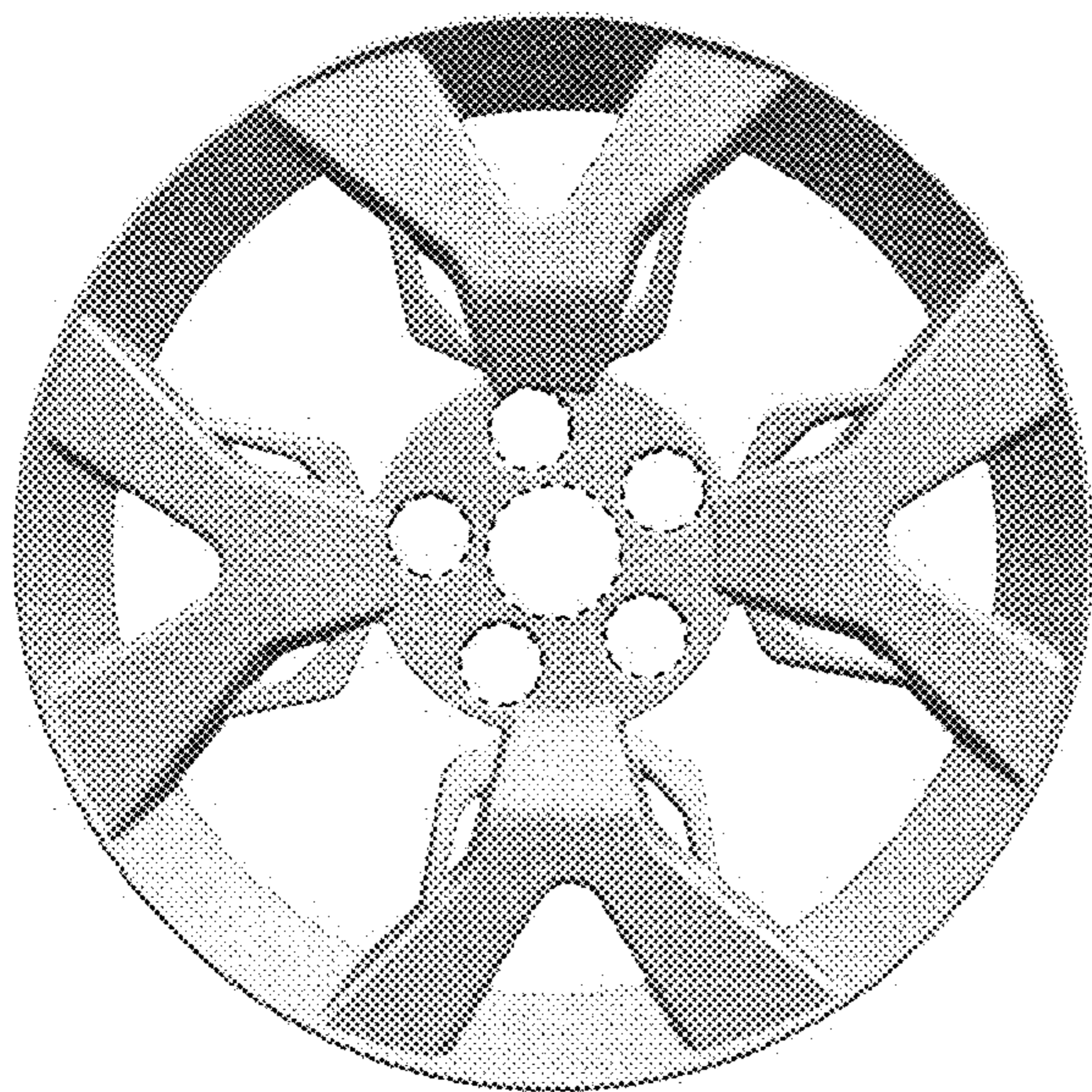
(57) **CLAIM**

The ornamental design for a vehicle wheel, as shown and described.

DESCRIPTION

FIG. 1 is a front view of a vehicle wheel. FIG. 2 is a perspective view of the vehicle wheel; and, FIG. 3 is a left side view of the vehicle wheel. The broken line showing of the rear of the rim, the valve stem hole, the bolt holes and the center hole in the central hub area is included for the purpose of illustrating environment and forms no part of the claimed design.

1 Claim, 3 Drawing Sheets



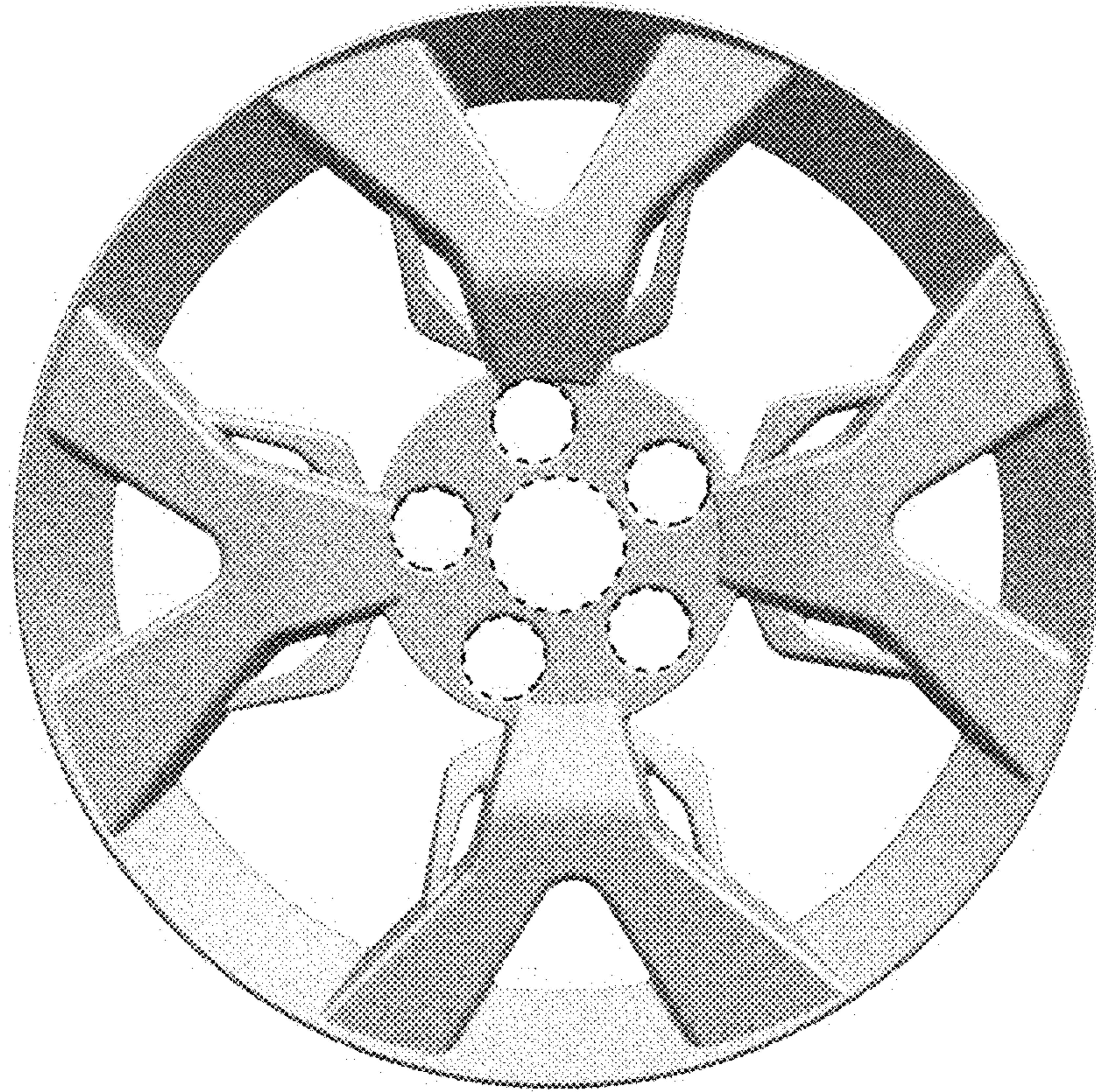


FIG. 1

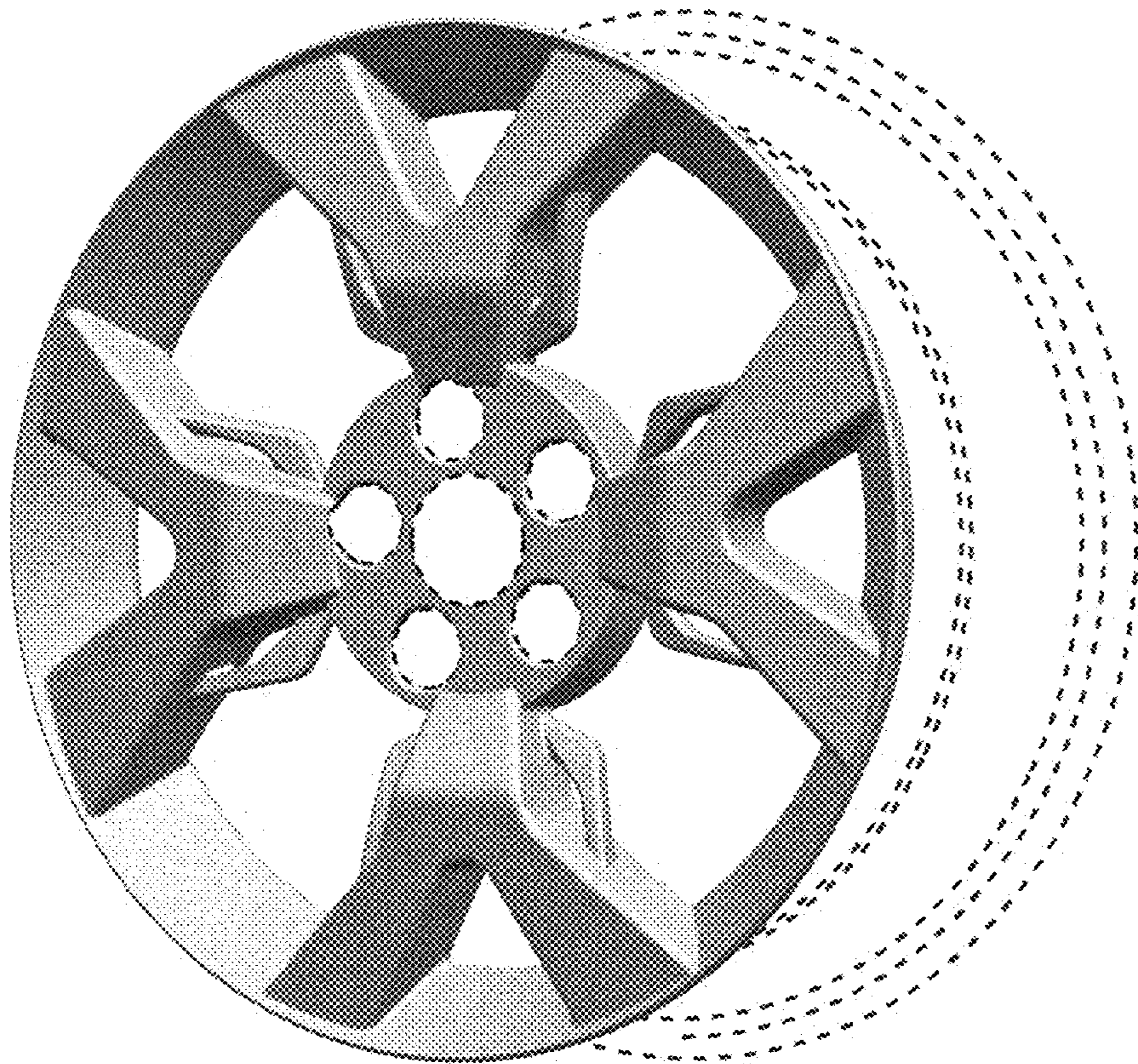


FIG. 2

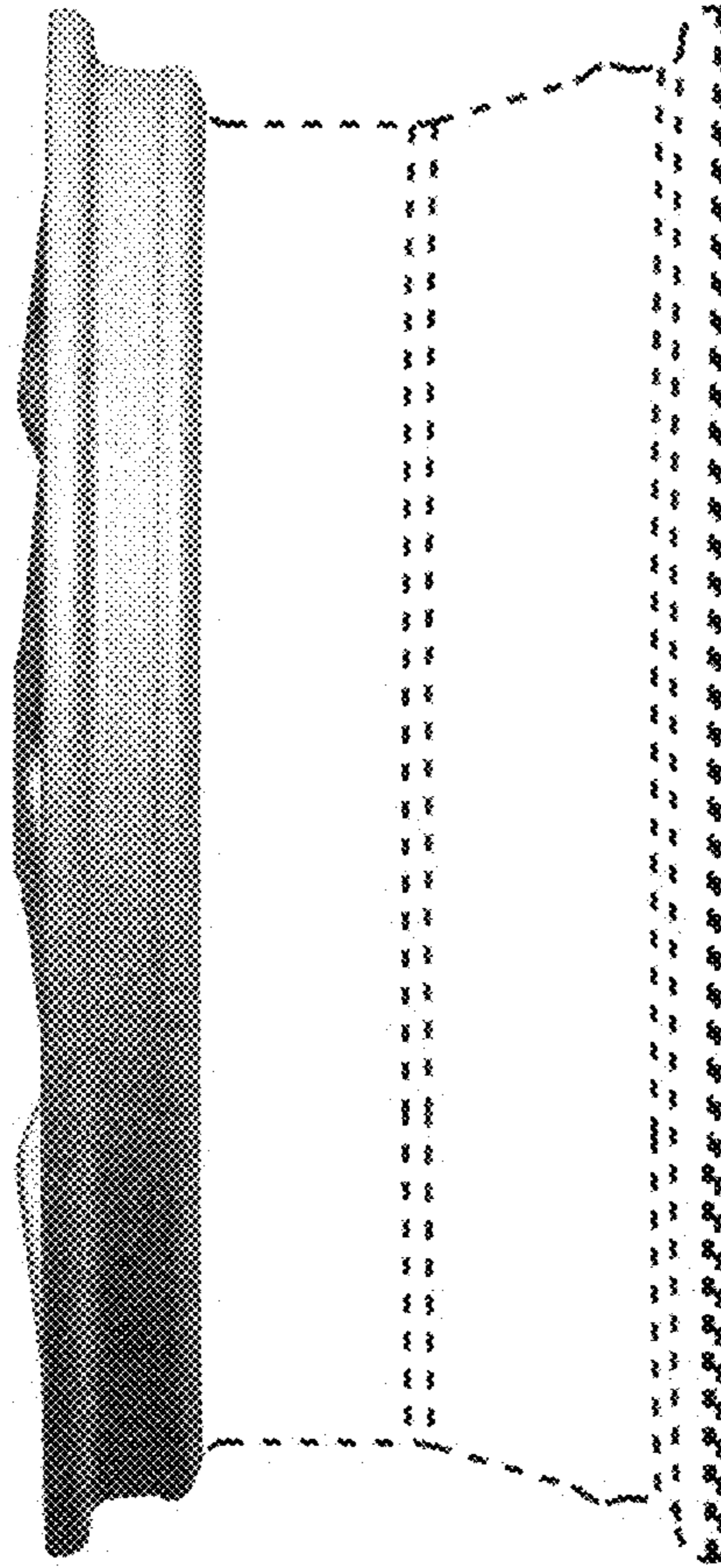


FIG. 3