



US00D906933S

(12) **United States Design Patent**
Li et al.

(10) **Patent No.:** **US D906,933 S**
(45) **Date of Patent:** **** Jan. 5, 2021**

(54) **VEHICLE WHEEL**

(71) Applicant: **CITIC Dicastal Co., Ltd.**,
Qinhuangdao (CN)

(72) Inventors: **Zhen Li**, Qinhuangdao (CN); **Shan Ma**,
Qinhuangdao (CN); **Song Sheng**,
Qinhuangdao (CN)

(73) Assignee: **CITIC Dicastal Co., Ltd.**,
Qinhuangdao (CN)

(**) Term: **15 Years**

(21) Appl. No.: **29/712,530**

(22) Filed: **Nov. 8, 2019**

(30) **Foreign Application Priority Data**

May 29, 2019 (CN) 2019 3 02694326

(51) **LOC (13) Cl.** **12-16**

(52) **U.S. Cl.**
USPC **D12/209**

(58) **Field of Classification Search**

USPC D12/204-213; D21/563
CPC B60B 7/00; B60B 7/02; B60B 7/04; B60B
7/01; B60B 7/06; B60B 3/02; B60B 3/04;
B60B 3/06; B60B 3/10; B60B 1/00;
B60B 1/08; B60B 1/10; B60B 1/12
See application file for complete search history.

(56) **References Cited**

U.S. PATENT DOCUMENTS

D515,493 S * 2/2006 Schaefers D12/211
D544,426 S * 6/2007 Siler D12/209

D658,560 S * 5/2012 Thurner D12/209
D688,185 S * 8/2013 Baum D12/209
D704,119 S * 5/2014 Platto D12/209
D715,723 S * 10/2014 Gotschke D12/211
D718,207 S * 11/2014 Grake D12/211
D748,559 S * 2/2016 Zhao D12/211
D775,577 S * 1/2017 Holstein D12/211
D824,832 S * 8/2018 Oh D12/209
D832,180 S * 10/2018 Platto D12/211
D849,641 S * 5/2019 Tovey D12/209
D852,703 S * 7/2019 De Jung D12/209
D860,101 S * 9/2019 Bjerke D12/209
D878,273 S * 3/2020 Tovey D12/209
D887,937 S * 6/2020 Platto D12/209
D888,640 S * 6/2020 Hough D12/209
D894,085 S * 8/2020 Liu D12/209

* cited by examiner

Primary Examiner — Stacia A Cadmus

(74) *Attorney, Agent, or Firm* — IPro, PLLC; Qian Gu

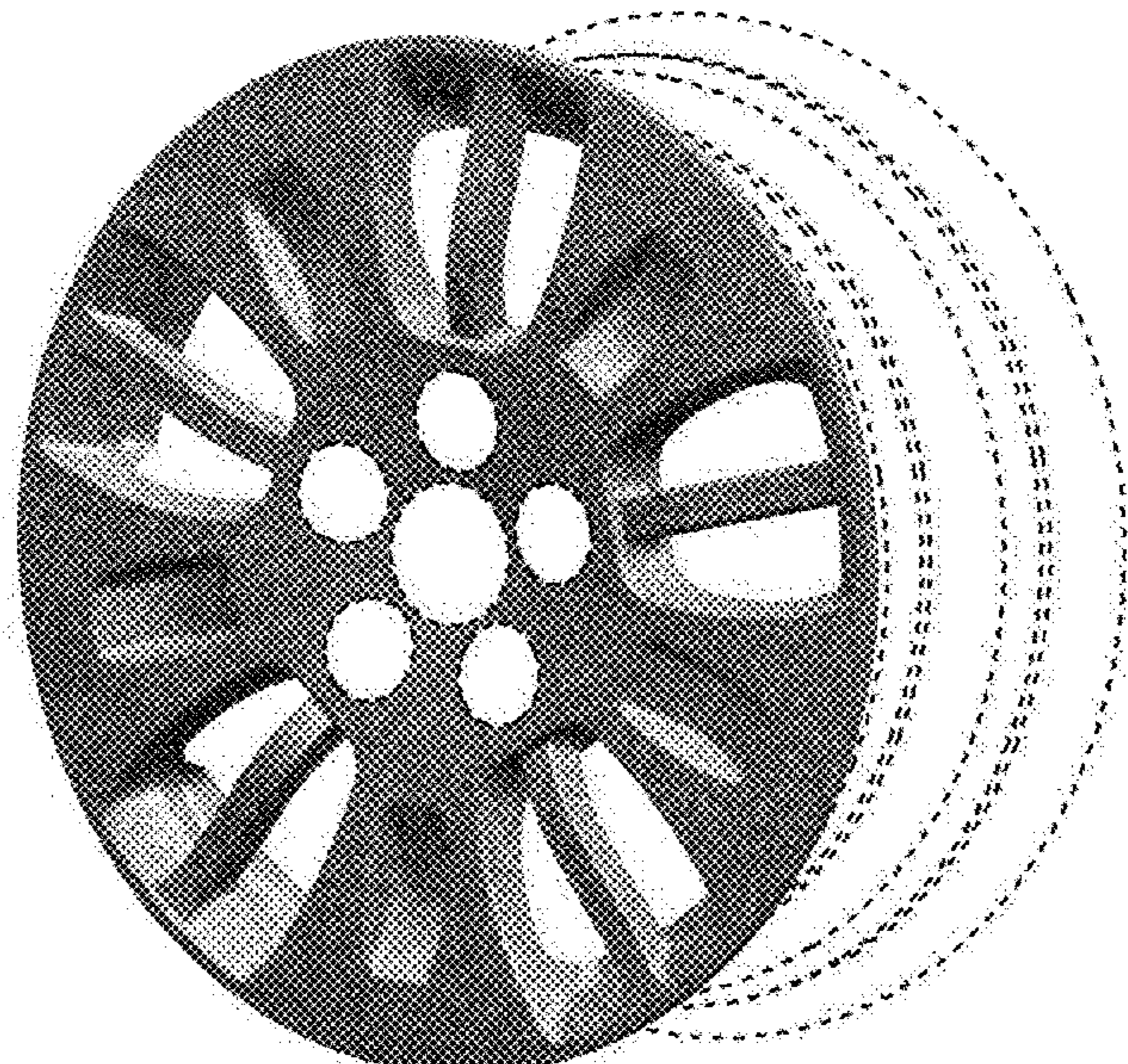
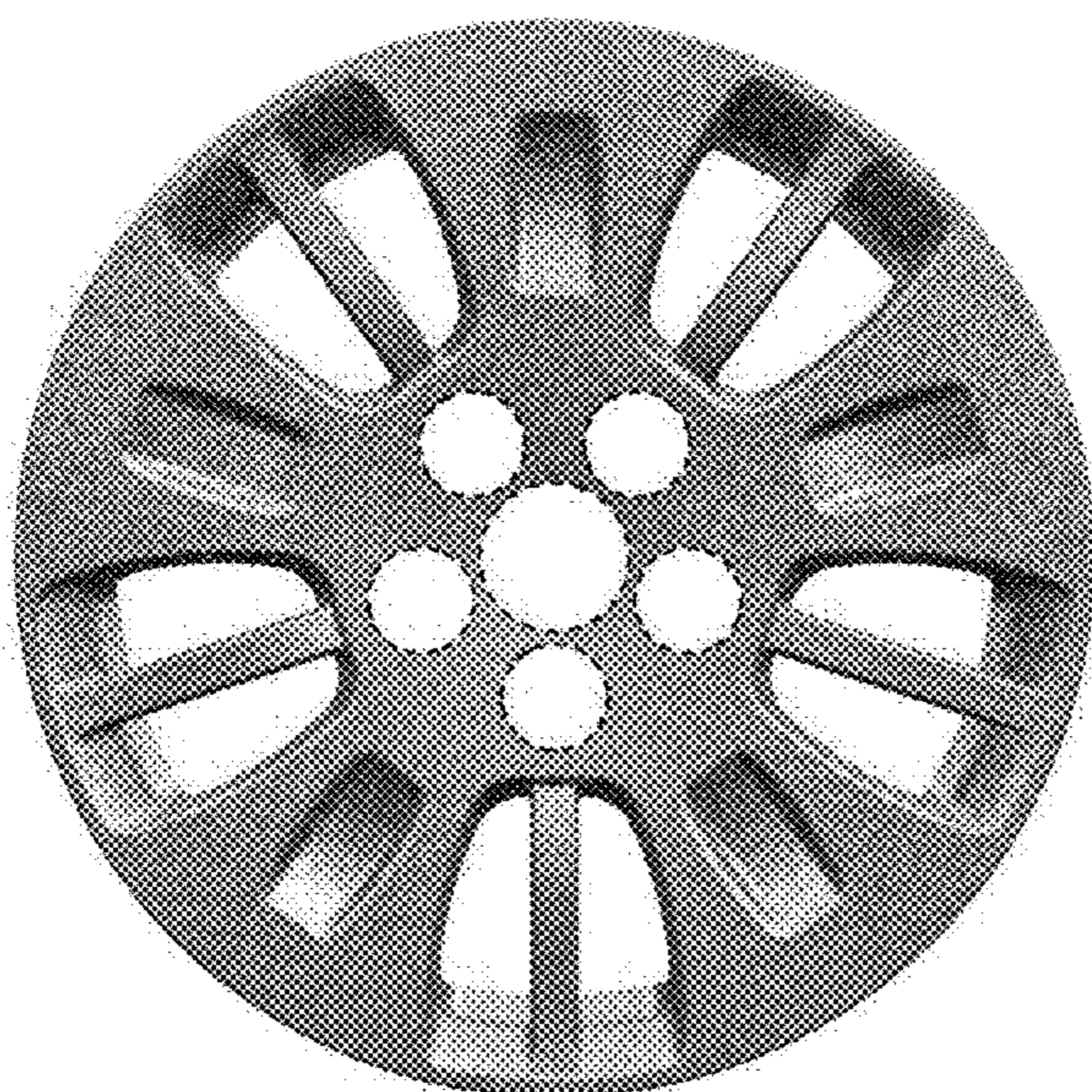
(57) **CLAIM**

The ornamental design for a vehicle wheel, as shown and described.

DESCRIPTION

FIG. 1 is a front view of a vehicle wheel.
FIG. 2 is a perspective view of the vehicle wheel; and,
FIG. 3 is a left side view of the vehicle wheel.
The broken line showing of the rear of the rim, the valve stem hole, the bolt holes and the center hole in the central hub area is included for the purpose of illustrating environment and forms no part of the claimed design.

1 Claim, 3 Drawing Sheets



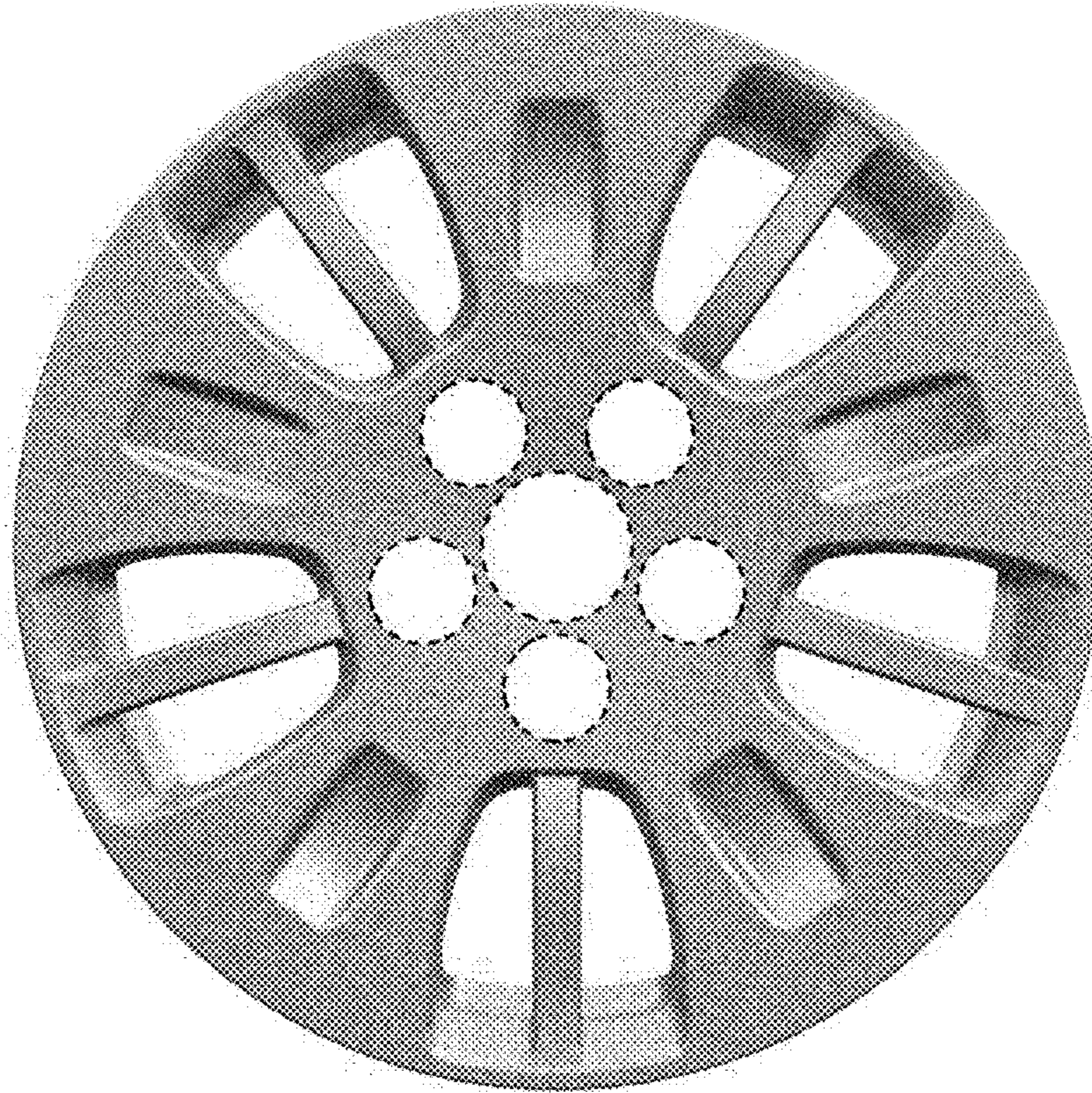


FIG. 1

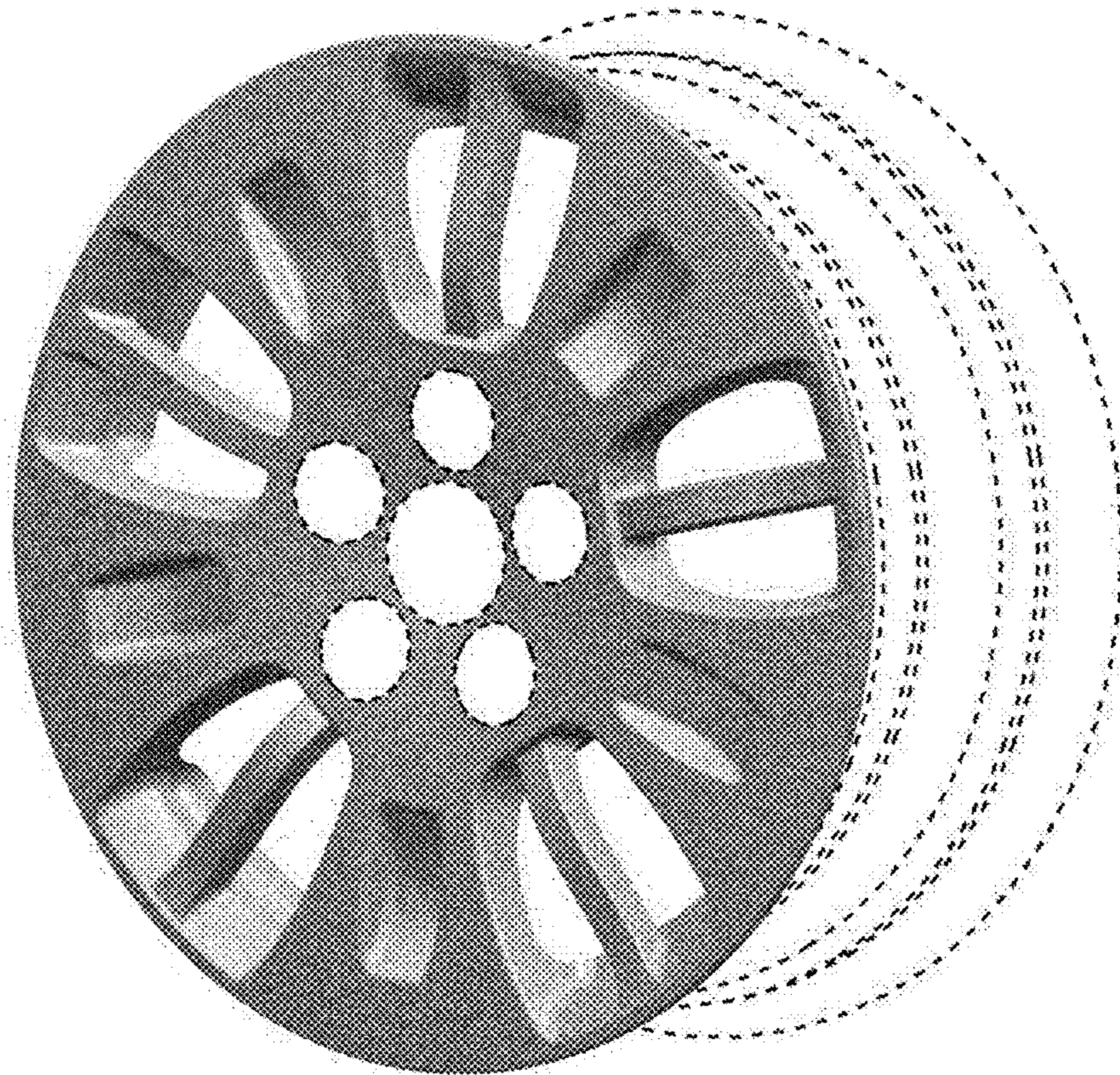


FIG. 2

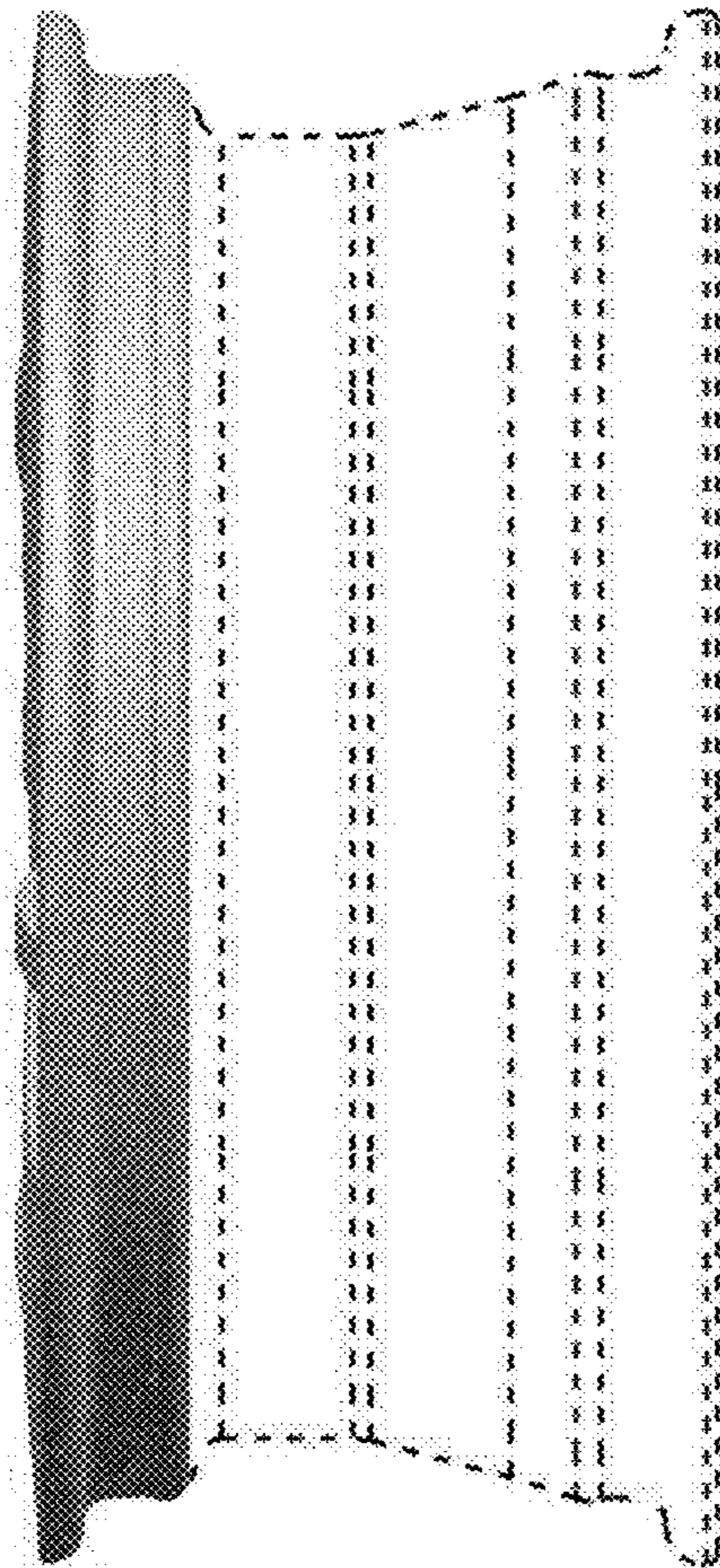


FIG. 3