



US00D906928S

(12) **United States Design Patent**
Ma

(10) **Patent No.:** **US D906,928 S**

(45) **Date of Patent:** **** Jan. 5, 2021**

(54) **VEHICLE WHEEL**

(71) Applicant: **CITIC Dicastal Co., Ltd.**,
Qinhuangdao (CN)

(72) Inventor: **Liang Ma**, Qinhuangdao (CN)

(73) Assignee: **CITIC Dicastal Co., Ltd.**,
Qinhuangdao (CN)

(**) Term: **15 Years**

(21) Appl. No.: **29/709,871**

(22) Filed: **Oct. 17, 2019**

(30) **Foreign Application Priority Data**

Jun. 17, 2019 (CN) 2019 3 0311942

(51) **LOC (13) Cl.** **12-16**

(52) **U.S. Cl.**
USPC **D12/209**

(58) **Field of Classification Search**

USPC D12/204-213; D21/563
CPC B60B 7/00; B60B 7/02; B60B 7/04; B60B
7/01; B60B 7/06; B60B 3/02; B60B 3/04;
B60B 3/06; B60B 3/10; B60B 1/00;
B60B 1/08; B60B 1/10; B60B 1/12

See application file for complete search history.

(56) **References Cited**

U.S. PATENT DOCUMENTS

D329,416 S * 9/1992 Braungart D12/209
D453,492 S * 2/2002 Laengerer D12/209

D454,325 S * 3/2002 Hieke D12/209
D455,692 S * 4/2002 Iguchi D12/209
D507,518 S * 7/2005 Scheu D12/209
D668,195 S * 10/2012 Tant D12/209
D668,196 S * 10/2012 Tant D12/209
D734,702 S * 7/2015 Hale D12/209
D849,653 S * 5/2019 Chung D12/209
D892,701 S * 8/2020 Cox D12/209
D896,151 S * 9/2020 Piscitelli D12/209
D896,153 S * 9/2020 Hoste D12/209

* cited by examiner

Primary Examiner — Stacia A Cadmus

(74) *Attorney, Agent, or Firm* — IPro, PLLC; Qian Gu

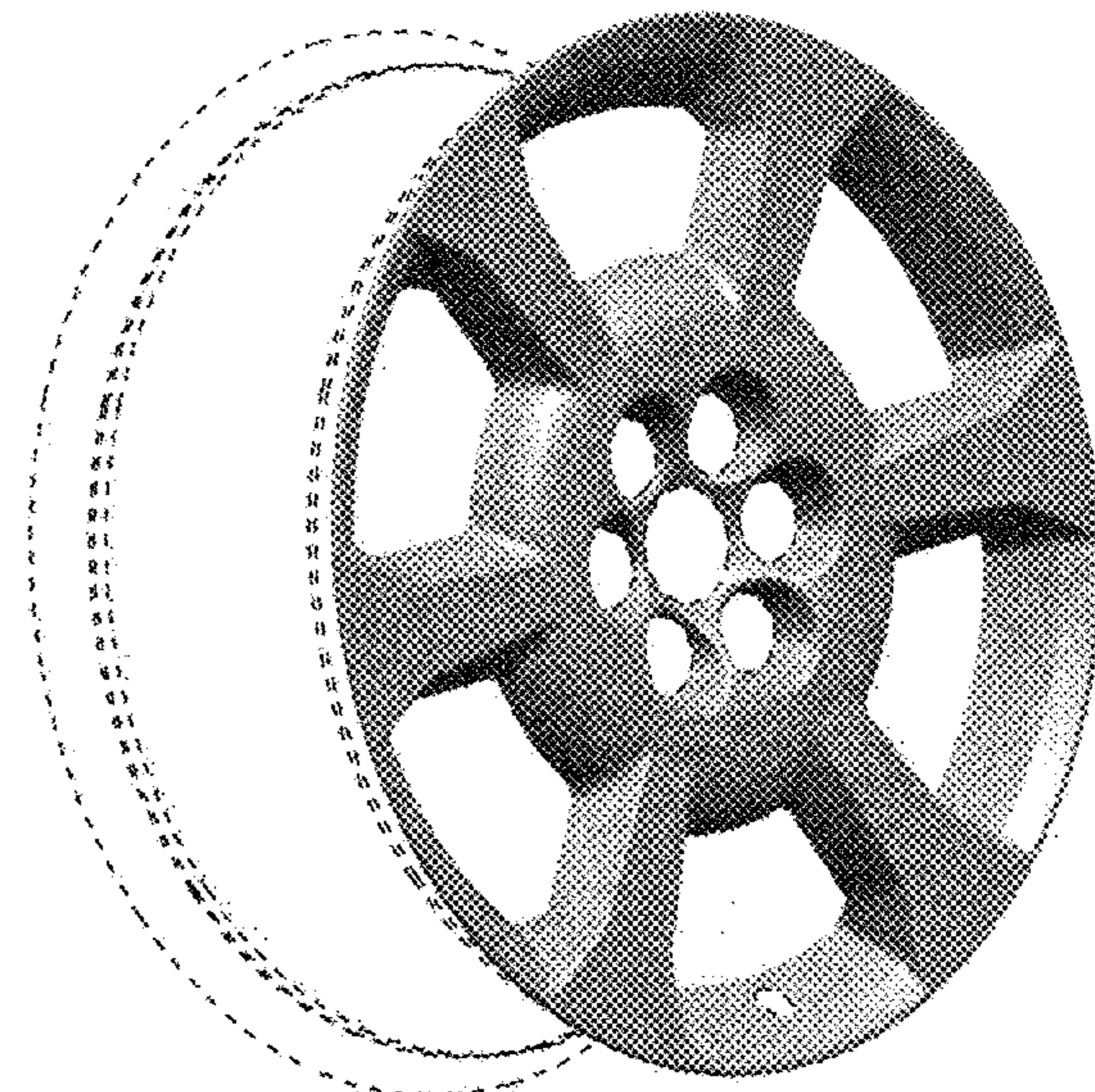
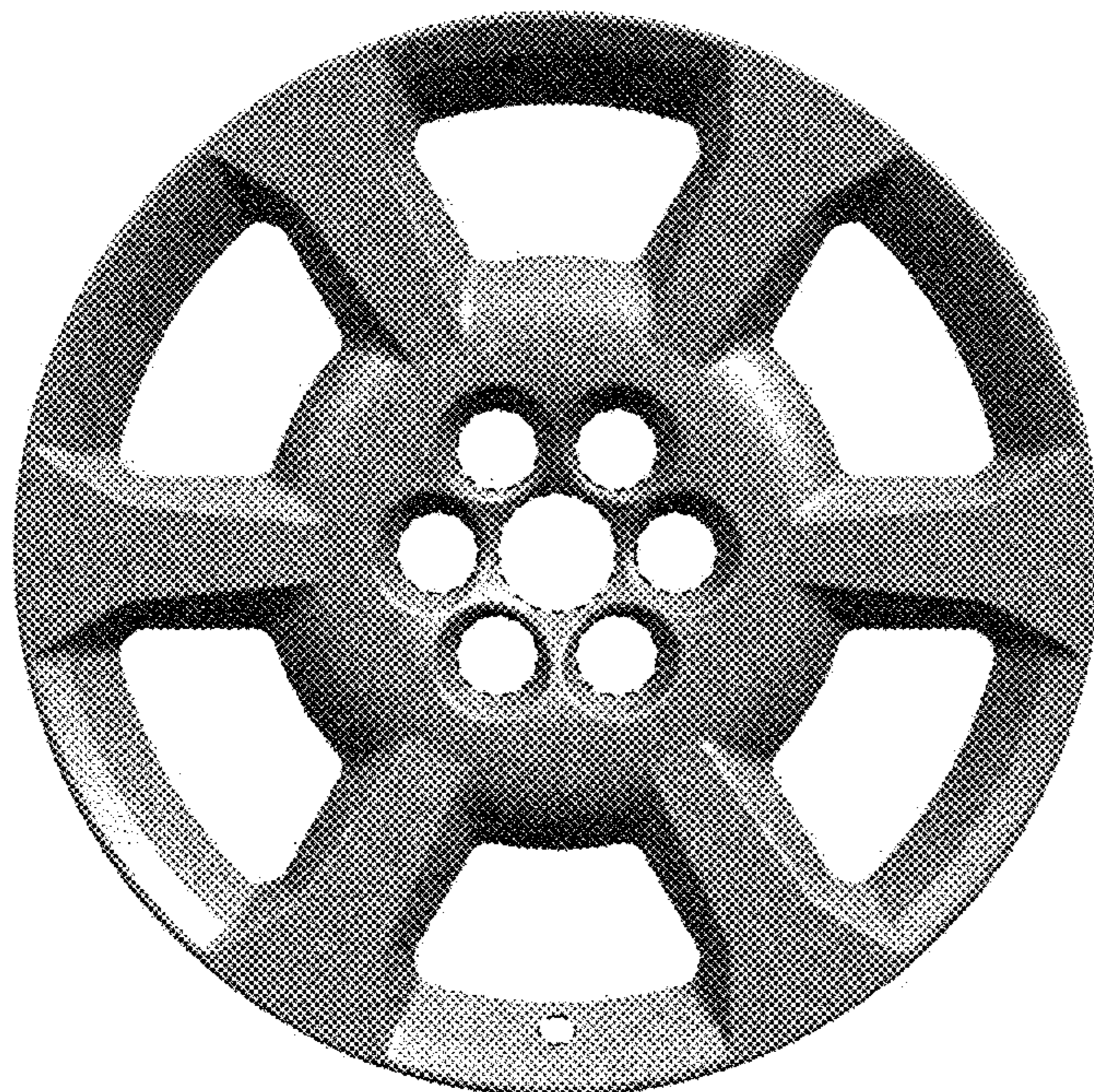
(57) **CLAIM**

The ornamental design for a vehicle wheel, as shown and described.

DESCRIPTION

FIG. 1 is a front view of a vehicle wheel.
FIG. 2 is a perspective view of the vehicle wheel; and,
FIG. 3 is a left side view of the vehicle wheel.
The broken line showing of the rear of the rim, the valve stem hole, the bolt holes and the center hole in the central hub area is included for the purpose of illustrating environment and forms no part of the claimed design.

1 Claim, 3 Drawing Sheets



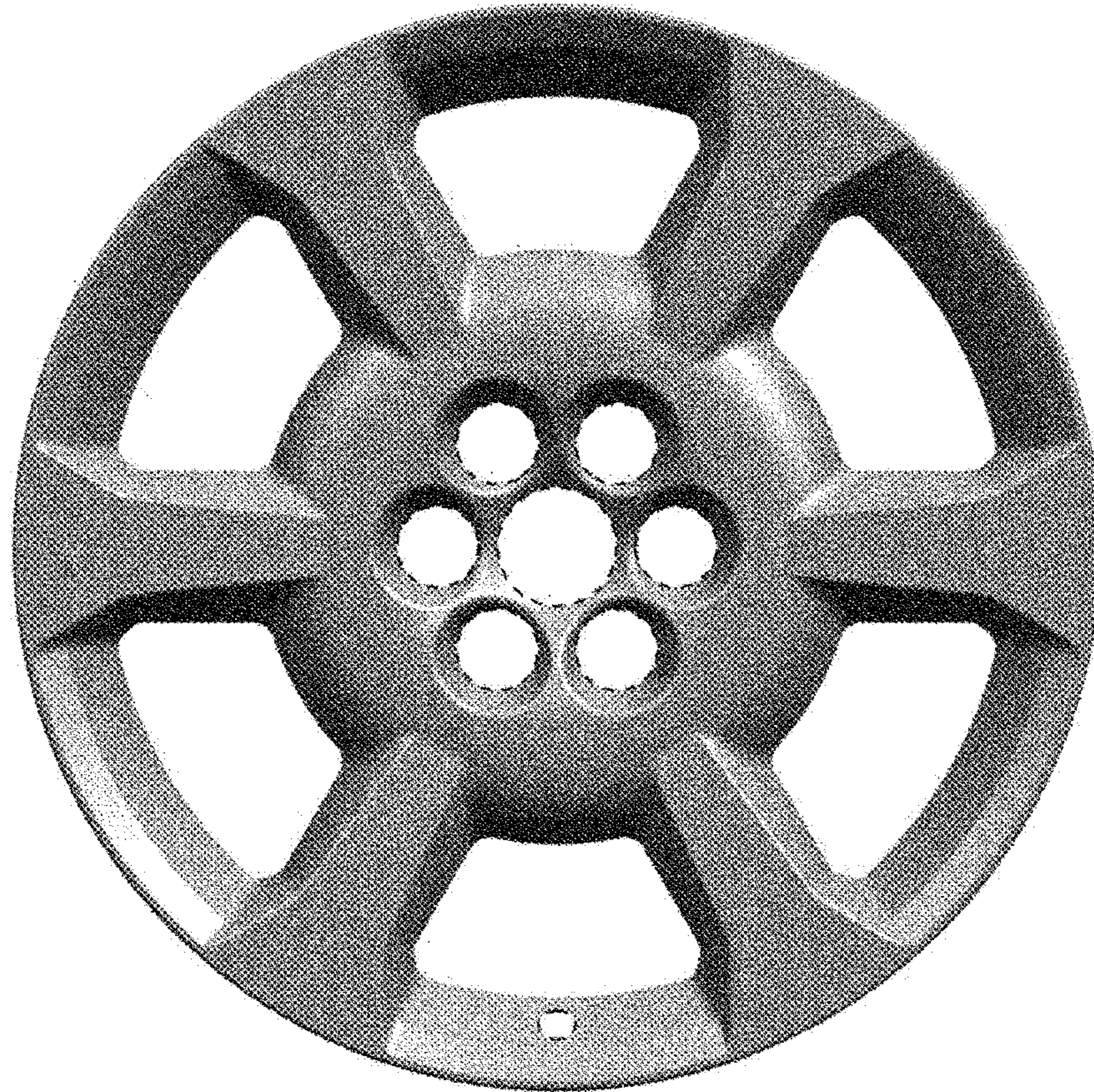


FIG. 1

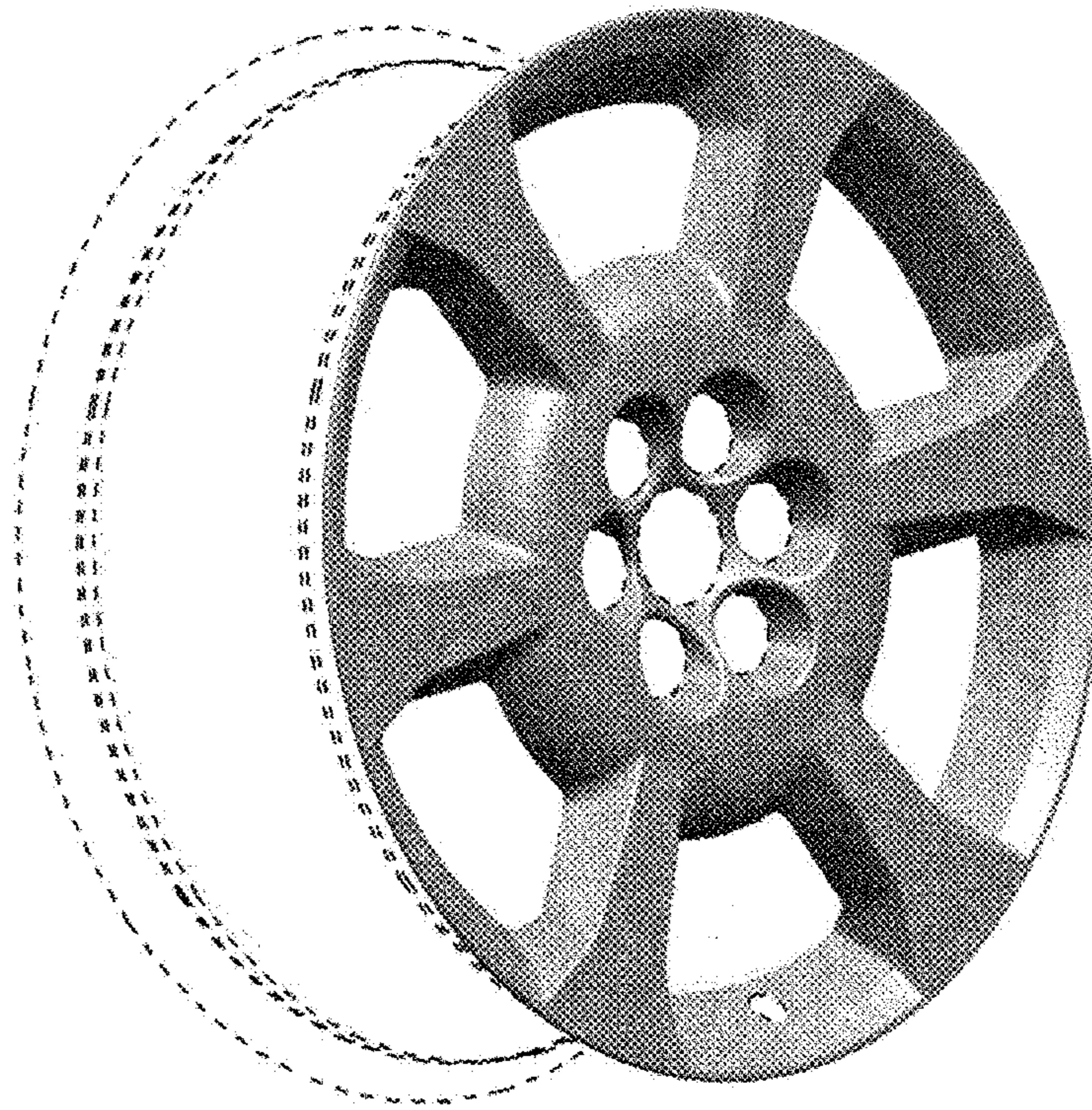


FIG. 2

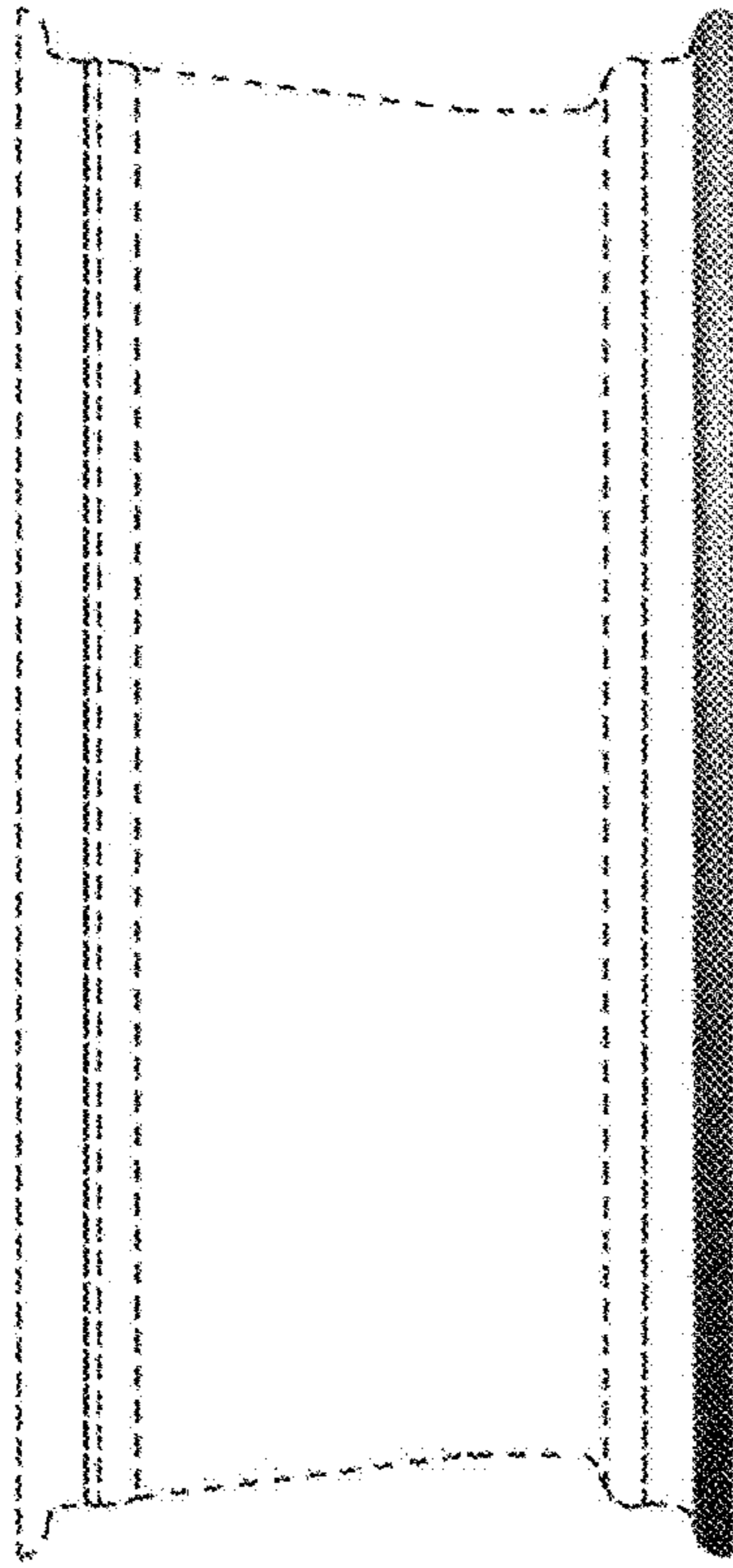


FIG. 3