



US00D906927S

(12) **United States Design Patent**
Ma

(10) **Patent No.:** **US D906,927 S**

(45) **Date of Patent:** **** Jan. 5, 2021**

(54) **VEHICLE WHEEL**

(71) Applicant: **CITIC Dicastal Co., Ltd.**,
Qinhuangdao (CN)

(72) Inventor: **Liang Ma**, Qinhuangdao (CN)

(73) Assignee: **CITIC Dicastal Co., Ltd.**,
Qinhuangdao (CN)

(**) Term: **15 Years**

(21) Appl. No.: **29/708,431**

(22) Filed: **Oct. 6, 2019**

(30) **Foreign Application Priority Data**

Jun. 17, 2019 (CN) 2019 3 03121694

(51) **LOC (13) Cl.** **12-16**

(52) **U.S. Cl.**
USPC **D12/209**

(58) **Field of Classification Search**
USPC D12/204-213; D21/563
CPC B60B 7/00; B60B 7/02; B60B 7/04; B60B
7/01; B60B 7/06; B60B 3/02; B60B 3/04;
B60B 3/06; B60B 3/10; B60B 1/00;
B60B 1/08; B60B 1/10; B60B 1/12
See application file for complete search history.

(56) **References Cited**

U.S. PATENT DOCUMENTS

D436,914 S * 1/2001 Vian D12/211
D440,534 S * 4/2001 Ivanova D12/211
D680,936 S * 4/2013 Claunch D12/209
D691,937 S * 10/2013 Chan D12/209

D699,173 S * 2/2014 Zhao D12/211
D712,334 S * 9/2014 Hale, Jr. D12/211
D718,204 S * 11/2014 Johnson D12/209
D746,754 S * 1/2016 Johnson D12/209
D747,674 S * 1/2016 Johnson D12/209
D748,557 S * 2/2016 Johnson D12/209
D781,764 S * 3/2017 Zhao D12/209
D789,269 S * 6/2017 Krause D12/209
D790,425 S * 6/2017 Johnson D12/209
D791,042 S * 7/2017 Johnson D12/209
D794,532 S * 8/2017 Zhao D12/211
D808,878 S * 1/2018 Sempek D12/209
D823,775 S * 7/2018 Sempek D12/211
D833,360 S * 11/2018 Kong D12/209
D853,297 S * 7/2019 He D12/209
D856,246 S * 8/2019 Liffick D12/209
D857,582 S * 8/2019 Liffick D12/209
D875,018 S * 2/2020 Han D12/211
D890,063 S * 7/2020 Platto D12/209

* cited by examiner

Primary Examiner — Stacia A Cadmus

(74) *Attorney, Agent, or Firm* — IPro, PLLC; Qian Gu

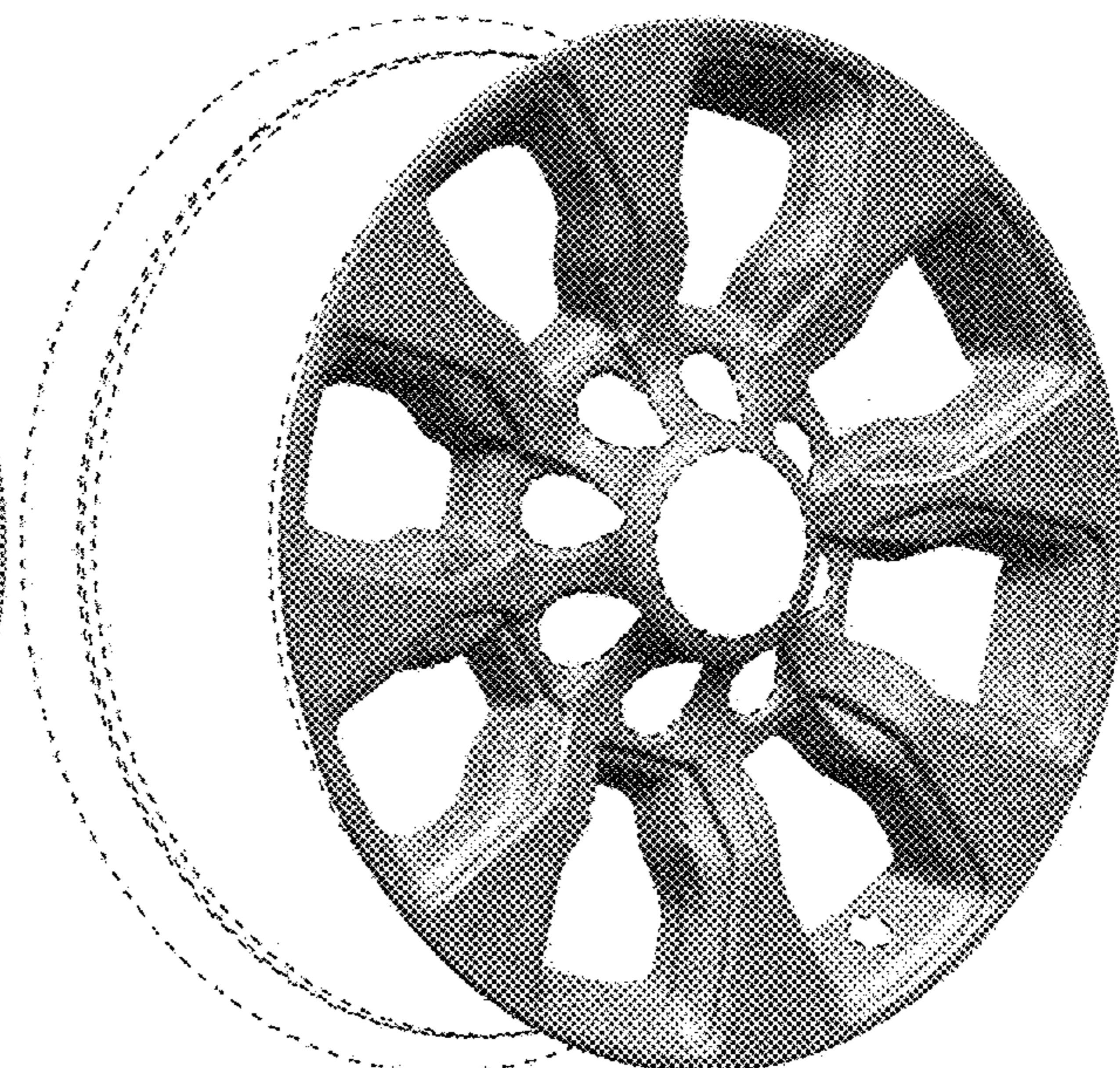
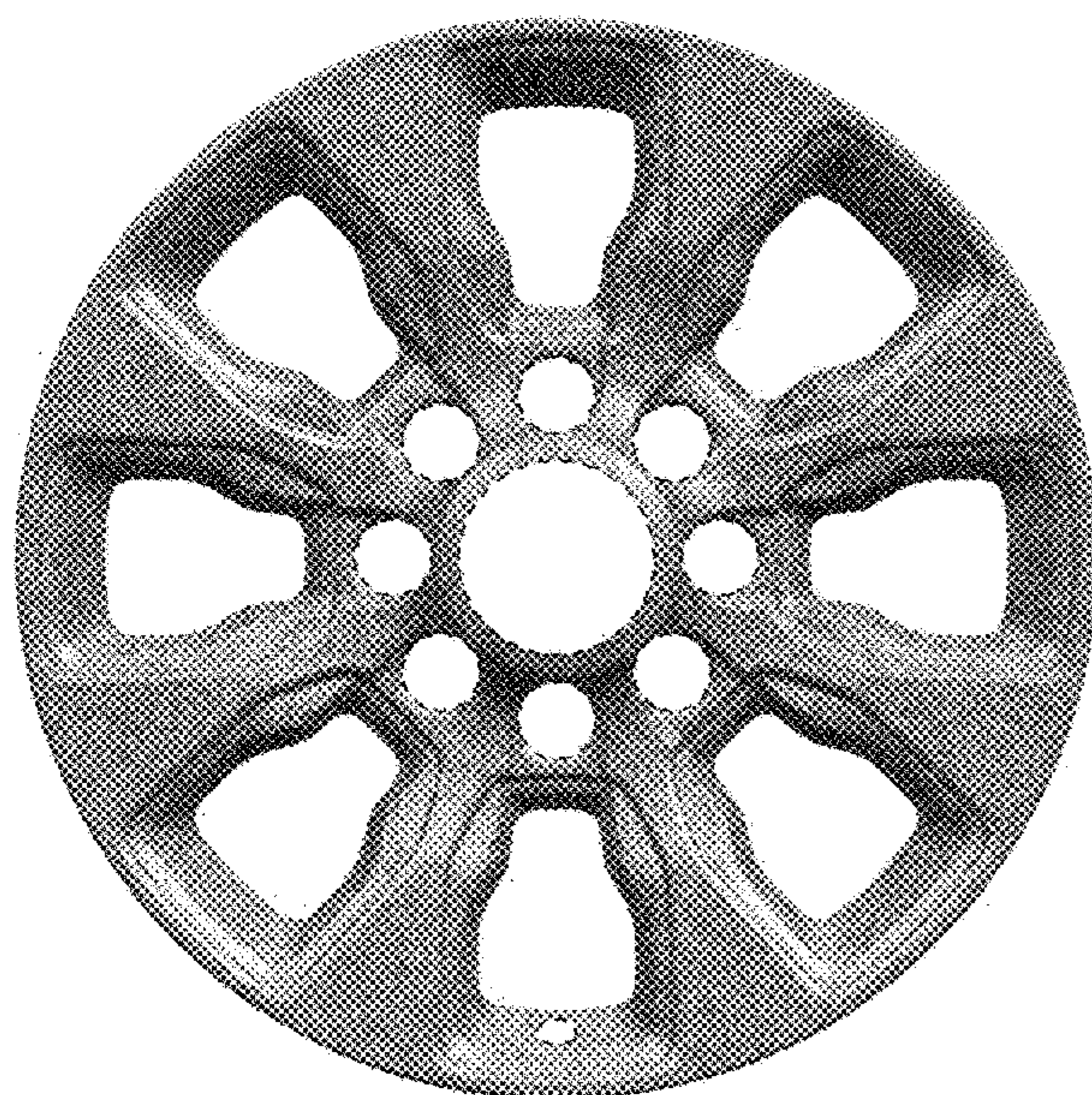
(57) **CLAIM**

The ornamental design for a vehicle wheel, as shown and described.

DESCRIPTION

FIG. 1 is a front view of a vehicle wheel.
FIG. 2 is a perspective view of the vehicle wheel; and,
FIG. 3 is a left side view of the vehicle wheel.
The broken line showing of the rear of the rim, the valve stem hole, the bolt holes and the center hole in the central hub area is included for the purpose of illustrating environment and forms no part of the claimed design.

1 Claim, 3 Drawing Sheets



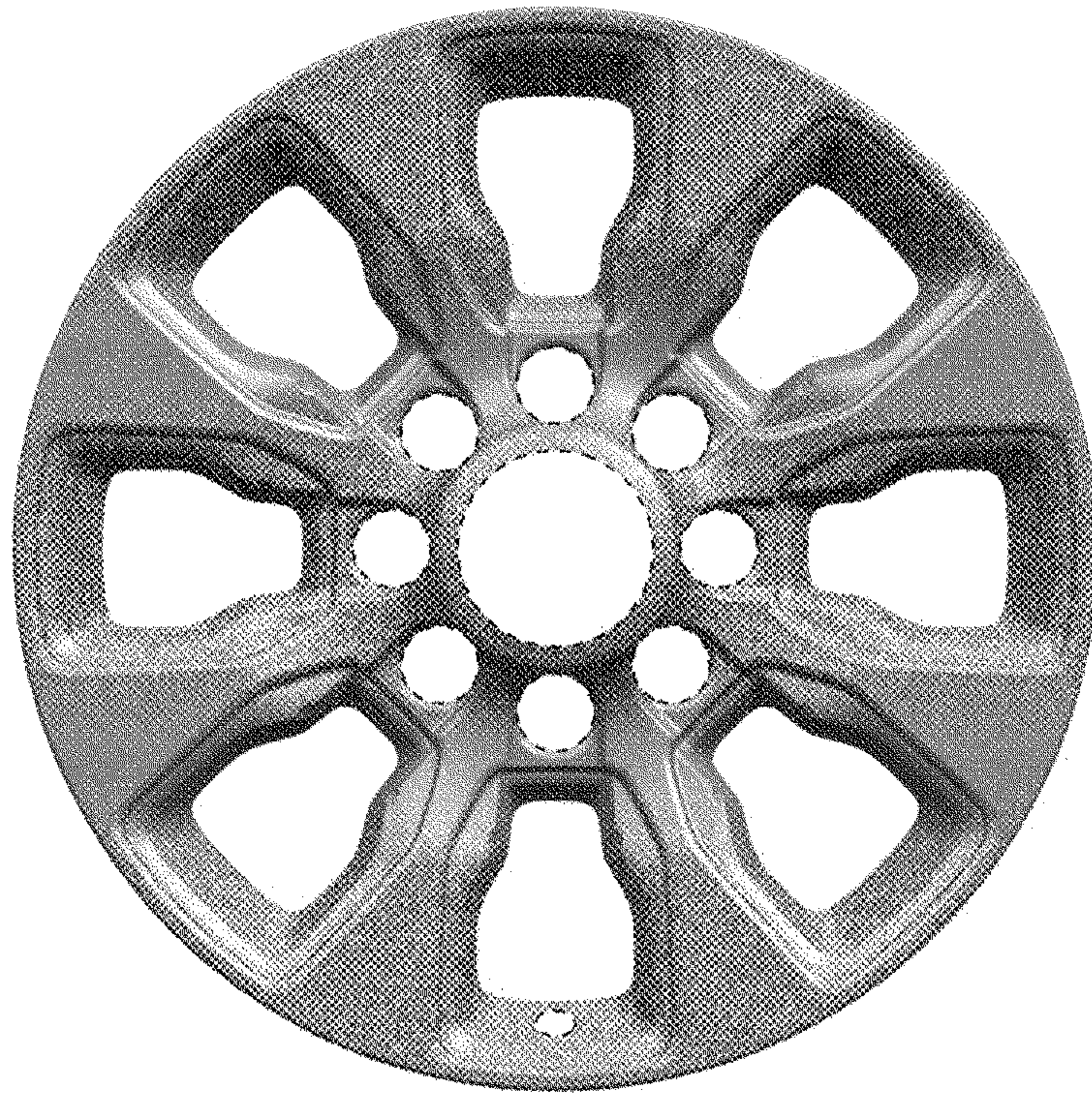


FIG. 1

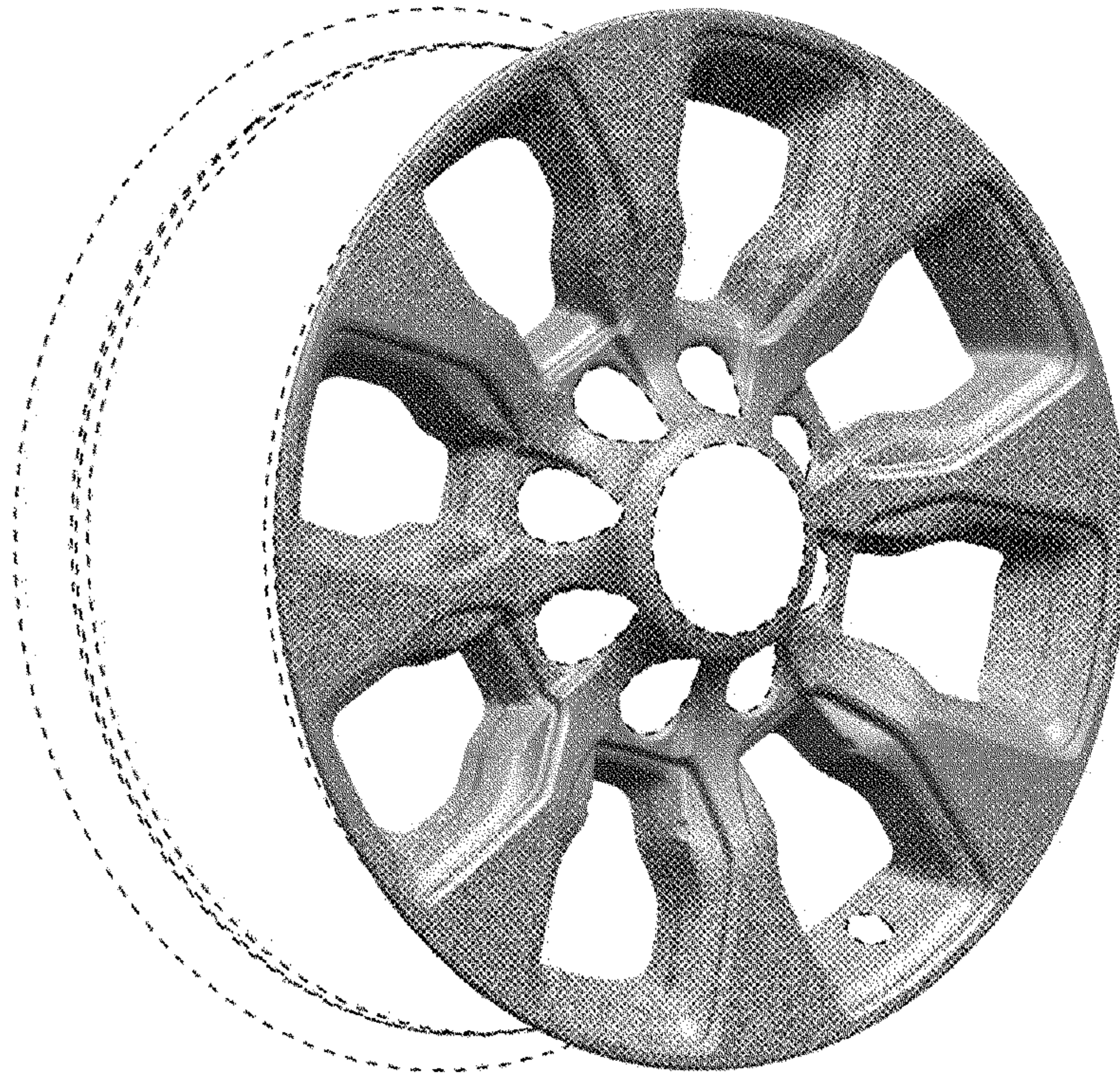


FIG. 2

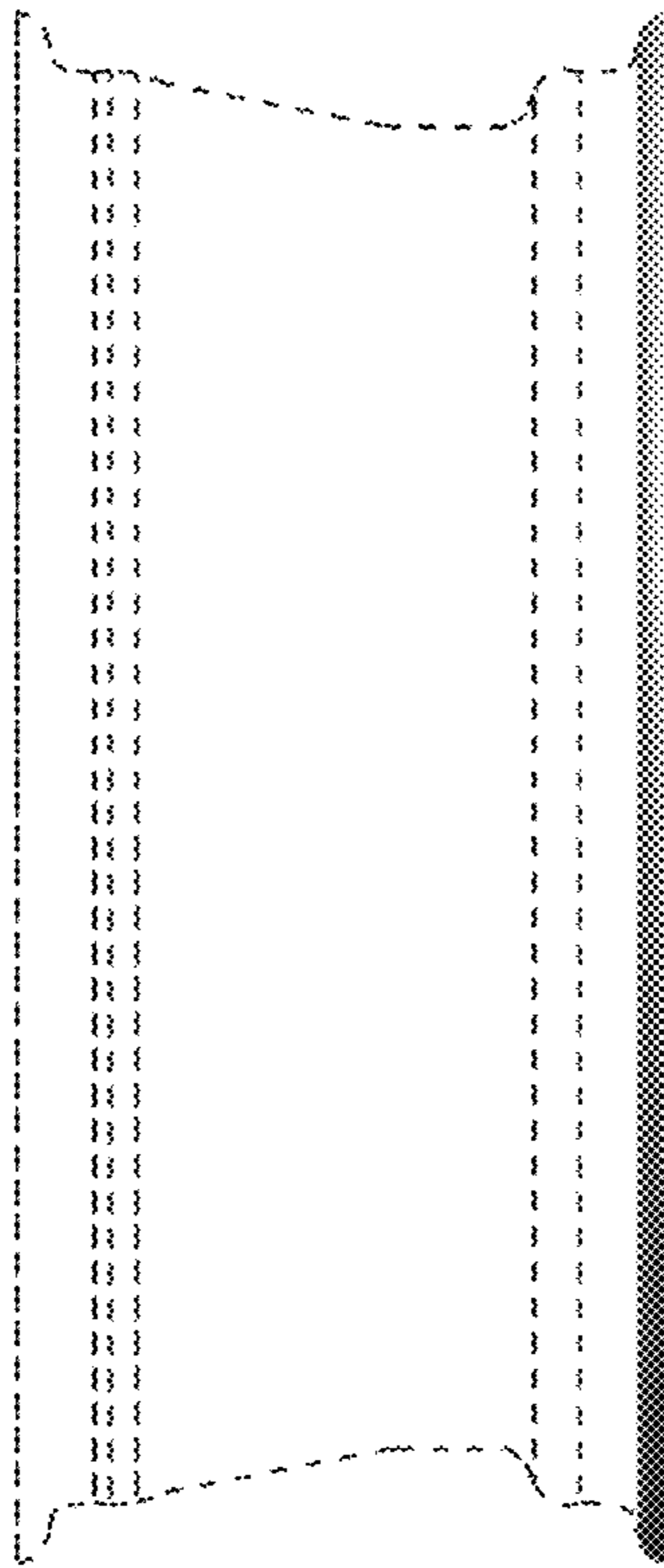


FIG. 3