



US00D906926S

(12) **United States Design Patent**
Liu

(10) **Patent No.:** **US D906,926 S**

(45) **Date of Patent:** **** Jan. 5, 2021**

(54) **VEHICLE WHEEL**

(71) Applicant: **CITIC Dicastal Co., Ltd.**,
Qinhuangdao (CN)

(72) Inventor: **Zhichong Liu**, Qinhuangdao (CN)

(73) Assignee: **CITIC Dicastal Co., Ltd.**,
Qinhuangdao (CN)

(**) Term: **15 Years**

(21) Appl. No.: **29/707,548**

(22) Filed: **Sep. 29, 2019**

(30) **Foreign Application Priority Data**

Jun. 17, 2019 (CN) 2019 3 03119406

(51) **LOC (13) Cl.** **12-16**

(52) **U.S. Cl.**
USPC **D12/209**

(58) **Field of Classification Search**

USPC D12/204–213; D21/563

CPC B60B 7/00; B60B 7/02; B60B 7/04; B60B
7/01; B60B 7/06; B60B 3/02; B60B 3/04;
B60B 3/06; B60B 3/10; B60B 1/00;
B60B 1/08; B60B 1/10; B60B 1/12

See application file for complete search history.

(56) **References Cited**

U.S. PATENT DOCUMENTS

D503,370 S * 3/2005 Nordmann D12/211
D611,396 S * 3/2010 Antoniadis D12/211

D643,793 S * 8/2011 Juergens D12/209
D663,248 S * 7/2012 Kogawa D12/209
D673,094 S * 12/2012 Behmer D12/209
D689,808 S * 9/2013 Buck D12/209
D690,248 S * 9/2013 Bildhaeuser D12/209
D770,959 S * 11/2016 Chung D12/211
D792,305 S * 7/2017 Terui D12/209
D798,216 S * 9/2017 Snyder D12/211
D825,432 S * 8/2018 Trim D12/211
D853,304 S * 7/2019 Pollex D12/209
D864,832 S * 10/2019 Schell D12/209
D875,017 S * 2/2020 Valencia Pollex D12/209
D877,020 S * 3/2020 Valencia Pollex D12/209
D882,482 S * 4/2020 Rosello Visa D12/209
D896,723 S * 9/2020 Daniel D12/209

* cited by examiner

Primary Examiner — Stacia A Cadmus

(74) *Attorney, Agent, or Firm* — IPro, PLLC; Qian Gu

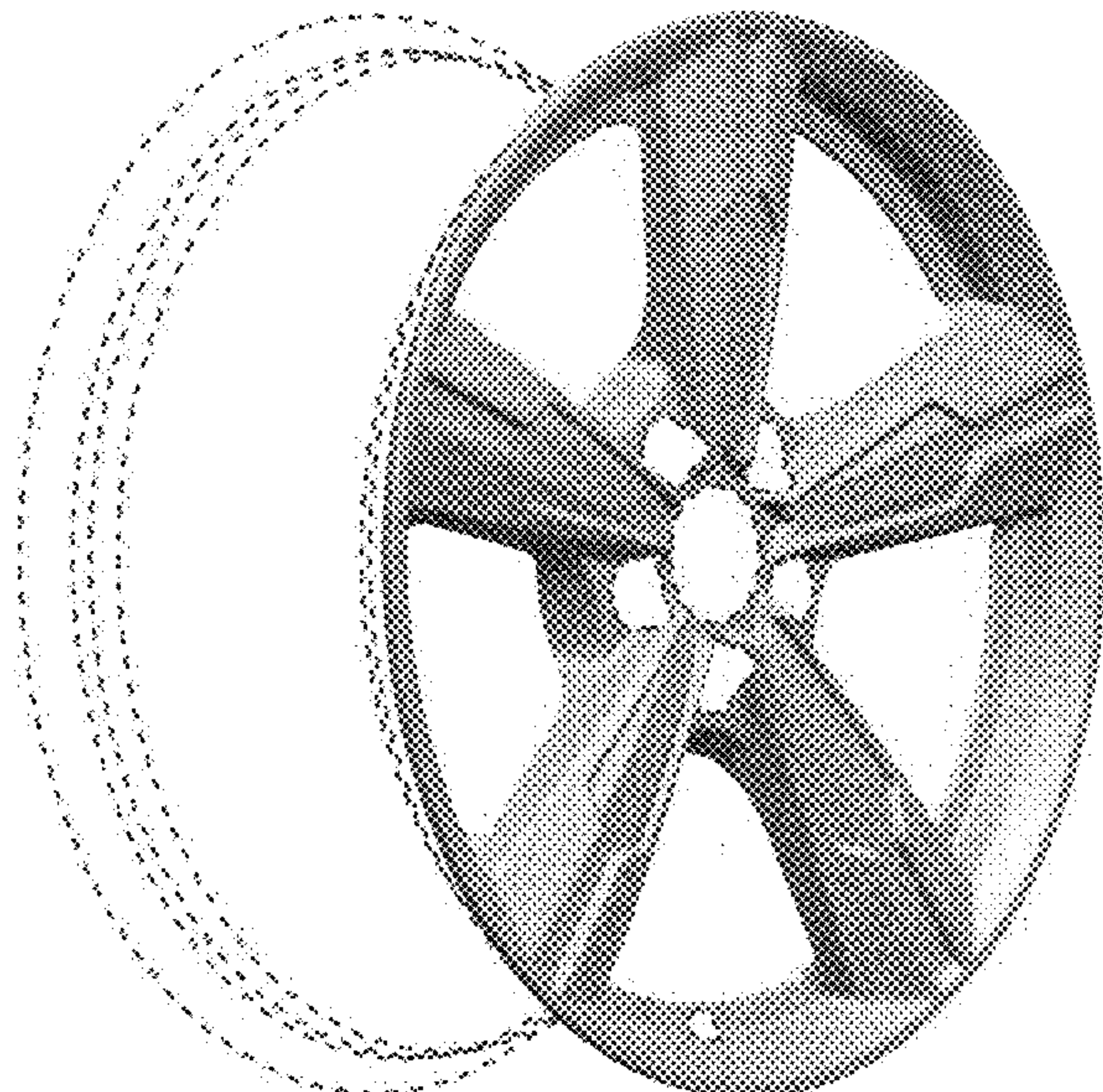
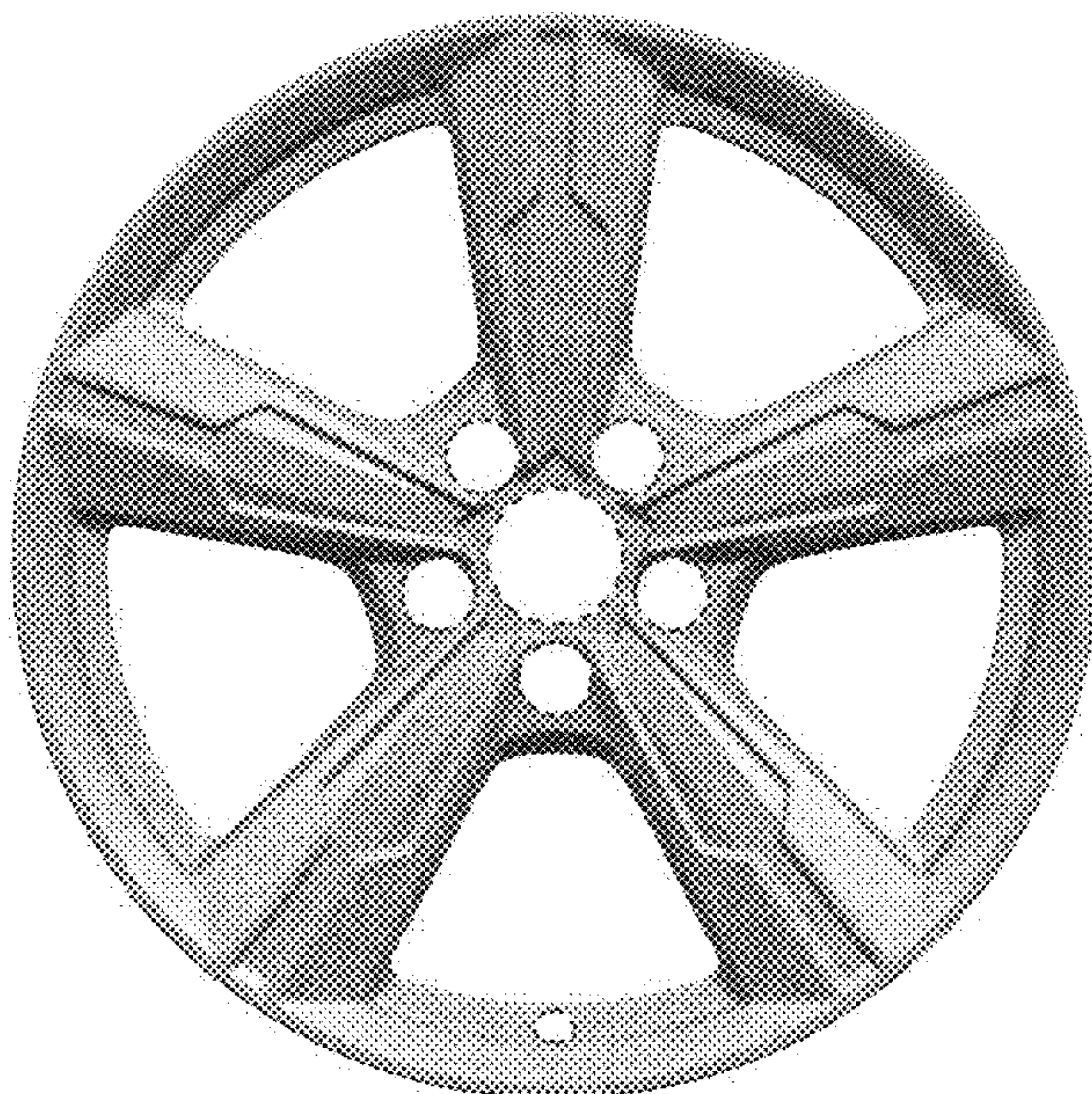
(57) **CLAIM**

The ornamental design for a vehicle wheel, as shown and described.

DESCRIPTION

FIG. 1 is a front view of a vehicle wheel.
FIG. 2 is a perspective view of the vehicle wheel; and,
FIG. 3 is a left side view of the vehicle wheel.
The broken line showing of the rear of the rim, the valve stem hole, the bolt holes and the center hole in the central hub area is included for the purpose of illustrating environment and forms no part of the claimed design.

1 Claim, 3 Drawing Sheets



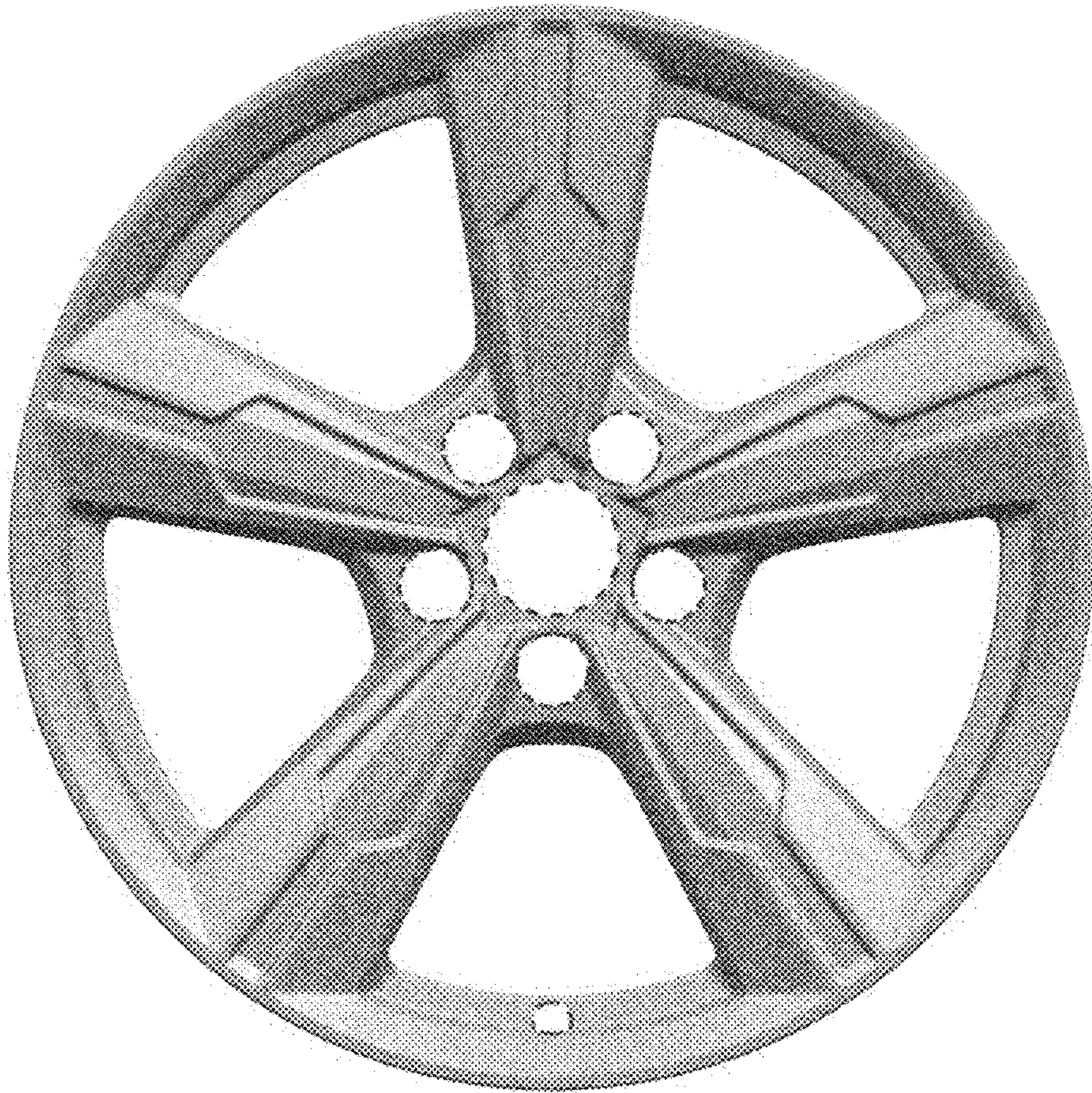


FIG. 1

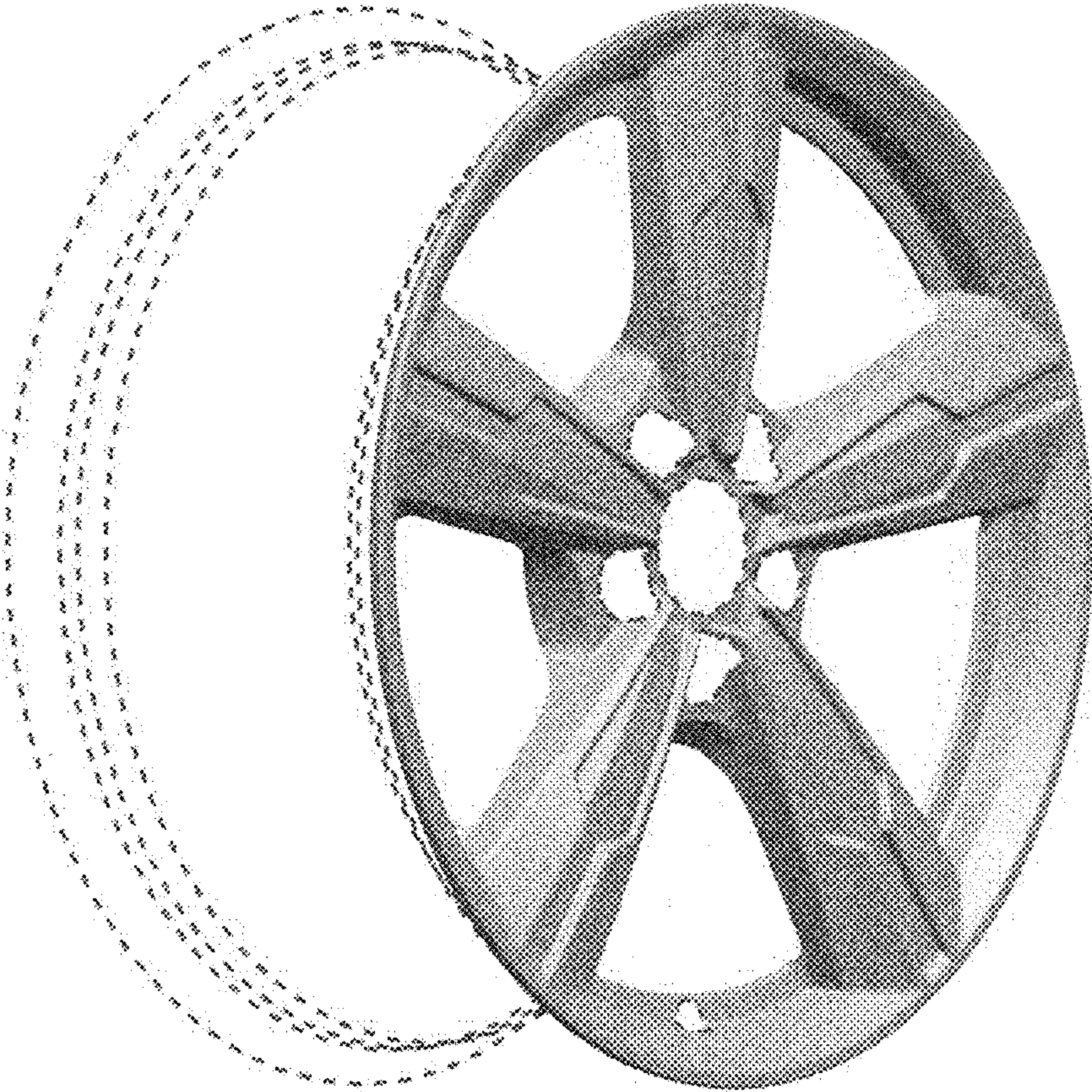


FIG. 2

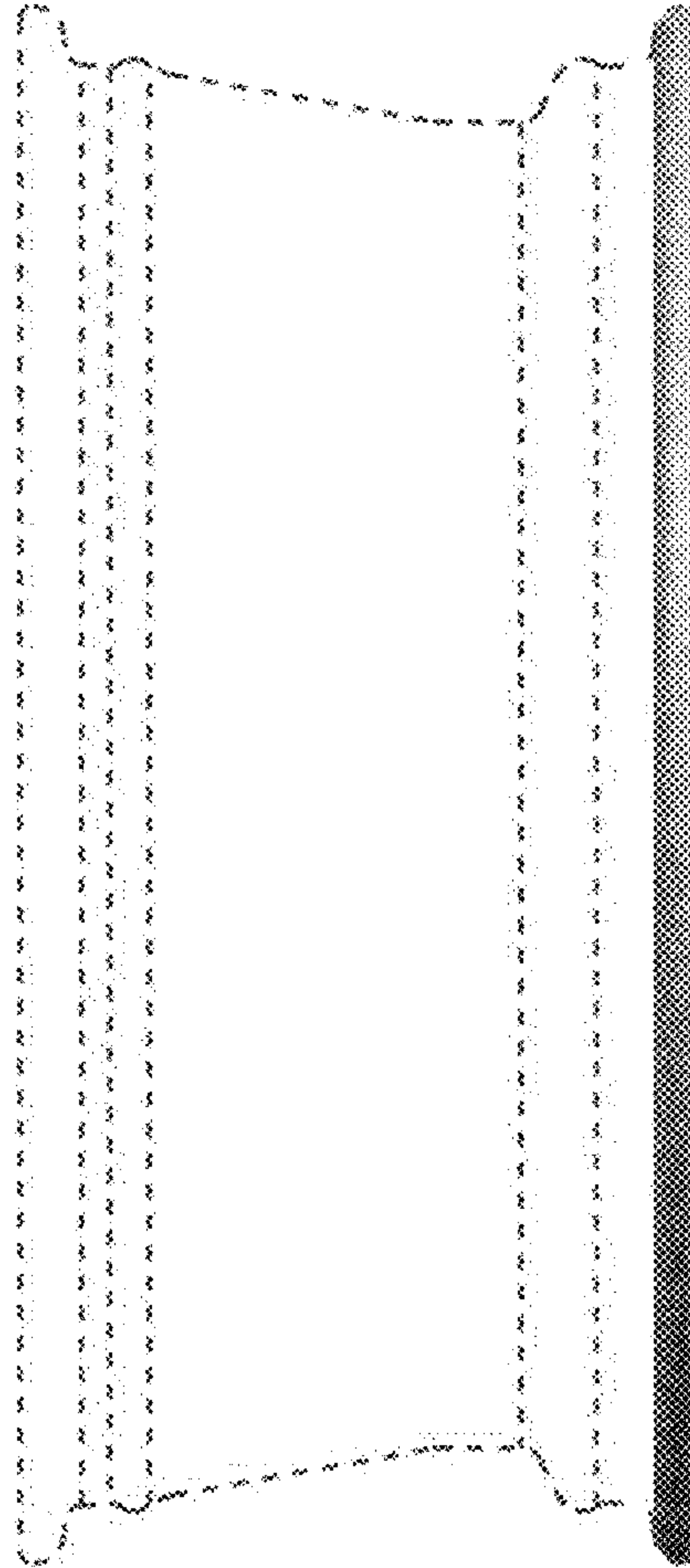


FIG. 3