



US00D906923S

(12) **United States Design Patent**
Badstuebner et al.

(10) **Patent No.:** **US D906,923 S**
(45) **Date of Patent:** **** Jan. 5, 2021**

(54) **WHEEL OR WHEEL COVER**

(71) Applicant: **Daimler AG**, Stuttgart (DE)

(72) Inventors: **Achim-Dietrich Badstuebner**, Munich (DE); **Carsten Guenther**, Boeblingen (DE); **Uwe Haller**, Marbach a.N. (DE); **Robert Lesnik**, Leonberg (DE); **Peter Riedel**, Holzgerlingen (DE); **Gorden Wagener**, Gaeufelden (DE)

(73) Assignee: **Daimler AG**, Stuttgart (DE)

(**) Term: **15 Years**

(21) Appl. No.: **29/704,666**

(22) Filed: **Sep. 6, 2019**

(30) **Foreign Application Priority Data**

Mar. 7, 2019 (DE) 40 2019 200 808

(51) **LOC (13) Cl.** **12-16**

(52) **U.S. Cl.**
USPC **D12/209**

(58) **Field of Classification Search**
USPC D12/204–213; D21/533, 561, 563
CPC B60B 7/00; B60B 7/02; B60B 7/04; B60B 7/06; B60B 3/02; B60B 3/04; B60B 3/06; B60B 3/10; B60B 1/00; B60B 1/08; B60B 1/10; B60B 1/12

See application file for complete search history.

(56) **References Cited**

U.S. PATENT DOCUMENTS

D617,247 S * 6/2010 Gallert D12/209
D641,679 S * 7/2011 Vardis D12/211

D644,155 S * 8/2011 Truebsbach D12/209
D671,875 S * 12/2012 Camacho D12/209
D691,541 S * 10/2013 Behmer D12/209
D763,759 S * 8/2016 Valencia Pollex D12/209
D800,632 S * 10/2017 Gonser D12/211
D821,283 S * 6/2018 Juergens D12/209
D825,428 S * 8/2018 Myrberg D12/209
D843,292 S * 3/2019 Juergens D12/209
D849,652 S * 5/2019 De Jung D12/209
D854,481 S * 7/2019 Bucher D12/209
D856,253 S * 8/2019 Kraljevic D12/209
D864,829 S * 10/2019 Groth D12/209
D867,962 S * 11/2019 Battams D12/209
D876,308 S * 2/2020 O'Neill D12/209
D887,337 S * 6/2020 Daniel D12/209

FOREIGN PATENT DOCUMENTS

DE 402019200683 5/2019

* cited by examiner

Primary Examiner — Sheryl Lane

Assistant Examiner — Calvin E Vansant

(74) *Attorney, Agent, or Firm* — Crowell & Moring LLP

(57) **CLAIM**

The ornamental design for a wheel or wheel cover, as shown and described.

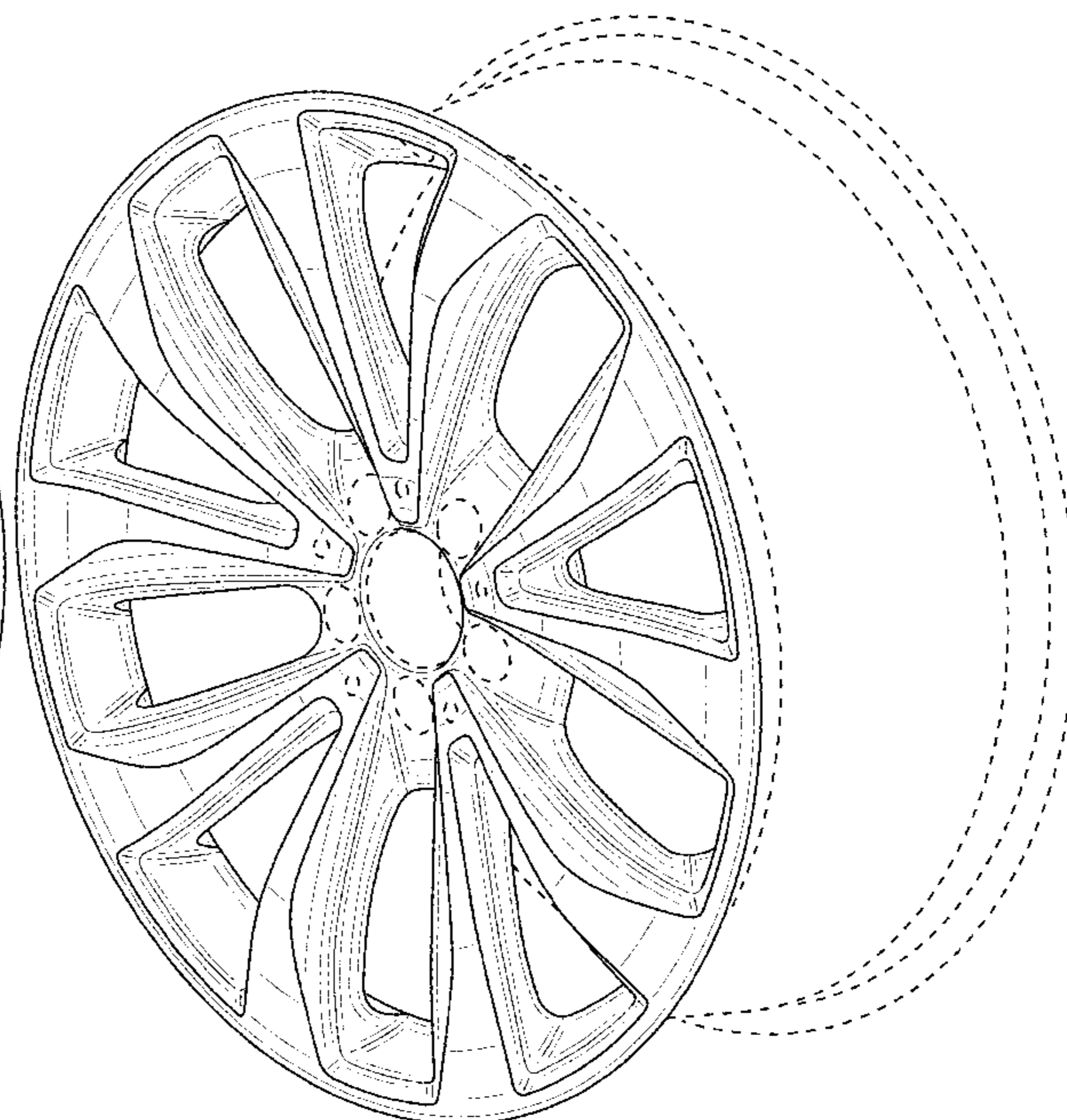
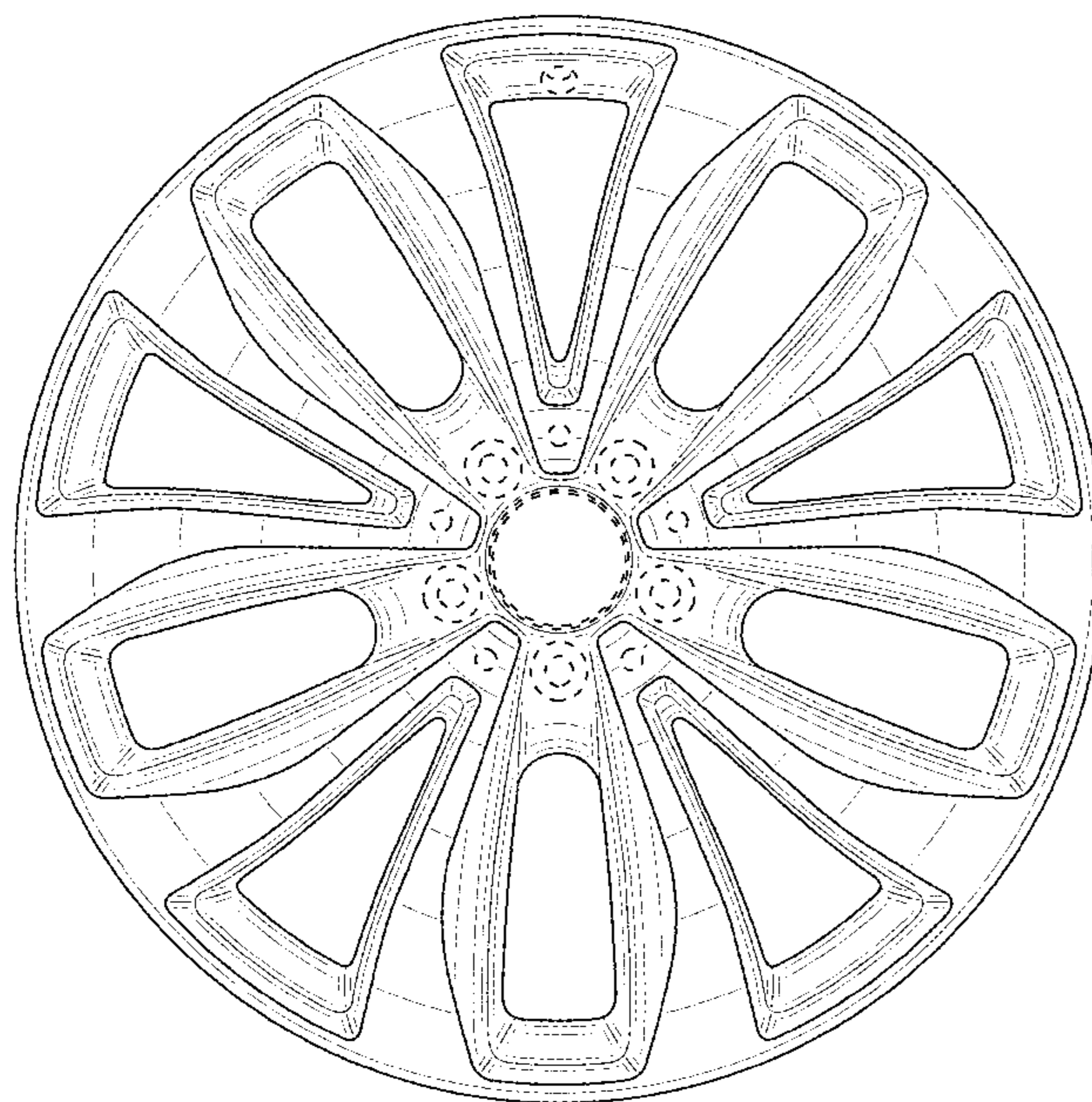
DESCRIPTION

FIG. 1 is a front view of a wheel or wheel cover according to the design; and,

FIG. 2 is a perspective view thereof.

The broken lines in the drawings illustrate environmental subject matter only and form no part of the claimed design.

1 Claim, 2 Drawing Sheets



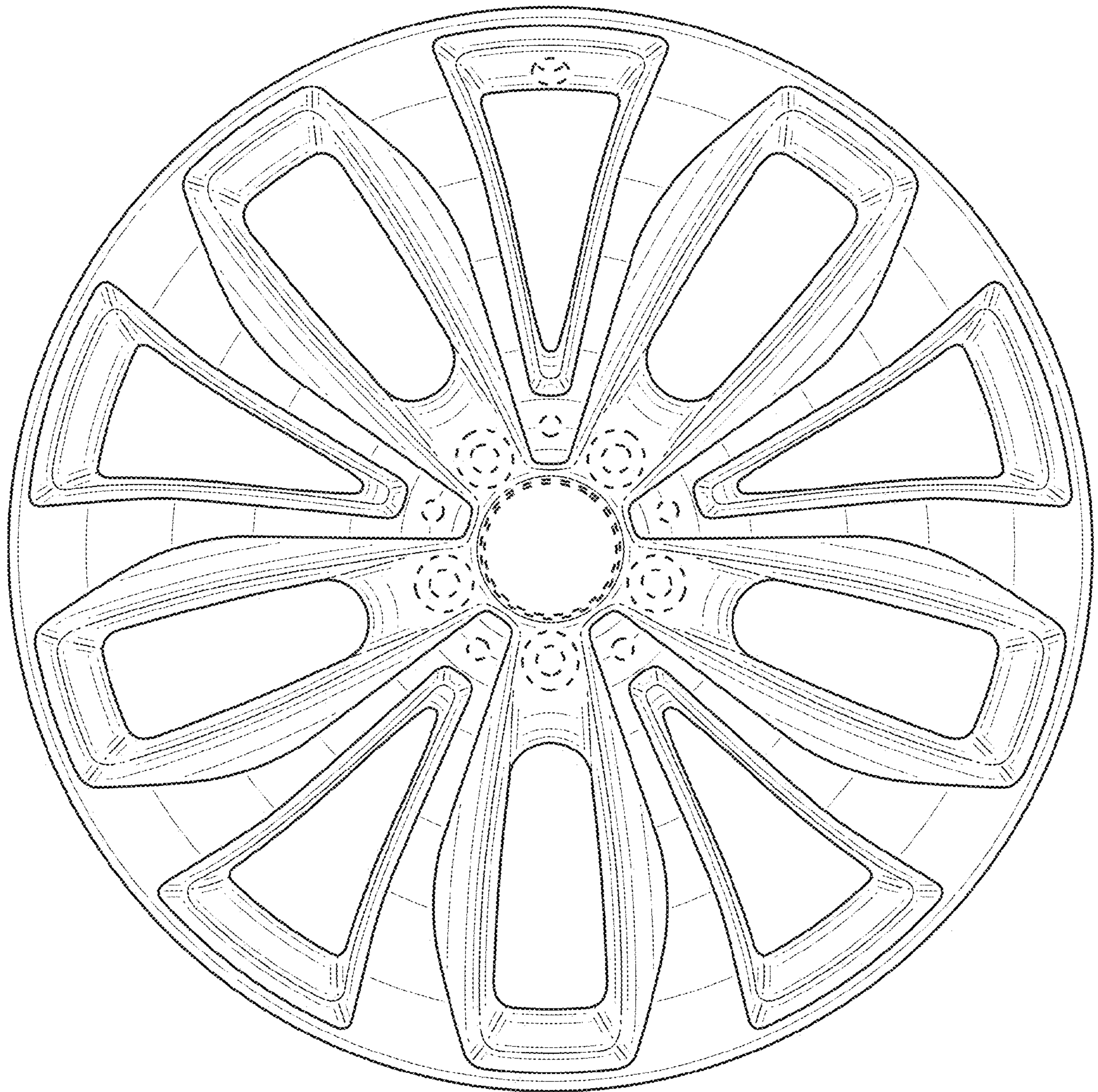


FIG. 1

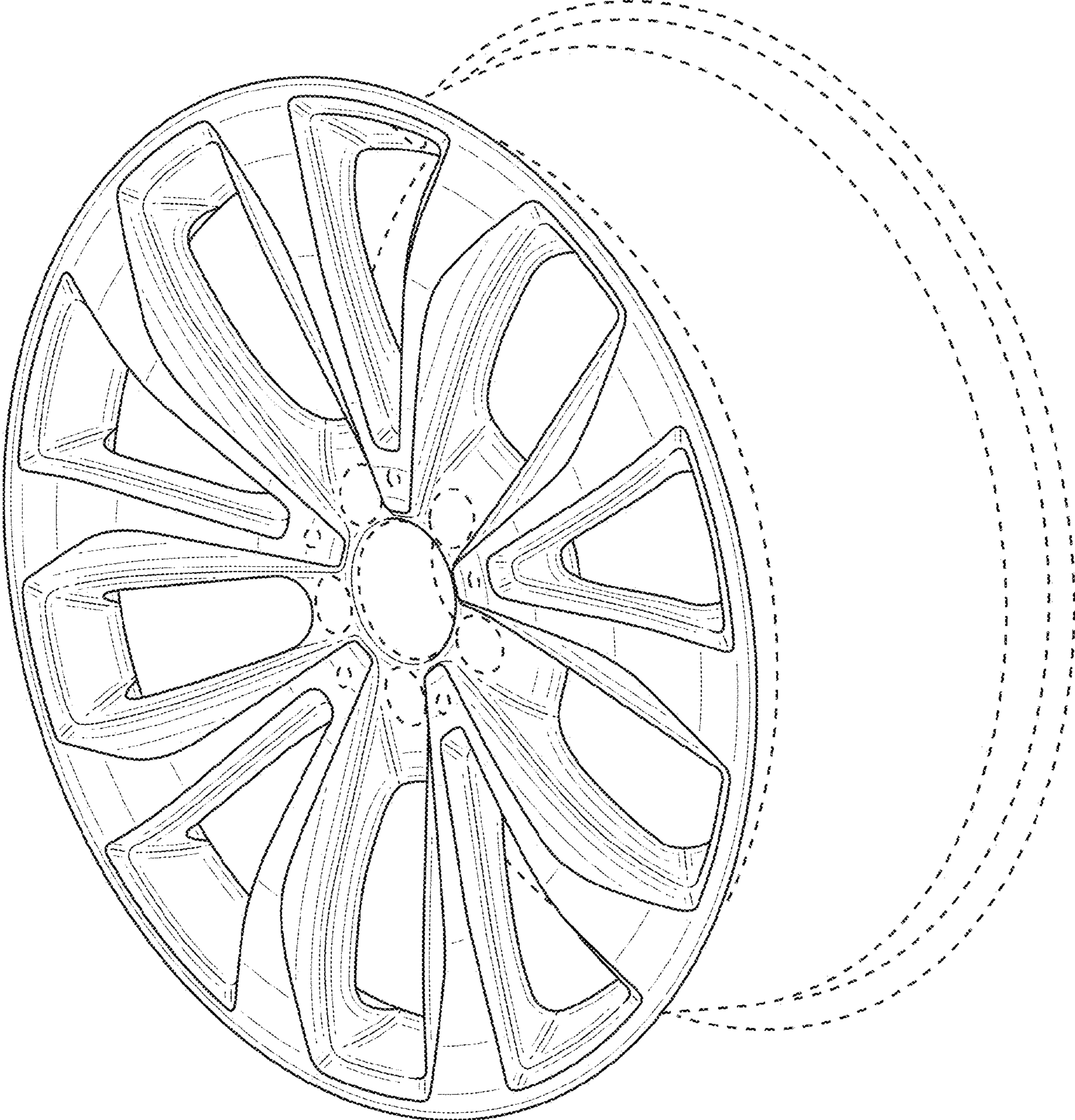


FIG. 2