



US00D906919S

(12) **United States Design Patent**
Rosenthal

(10) **Patent No.:** **US D906,919 S**
(45) **Date of Patent:** **** Jan. 5, 2021**

(54) **VEHICLE WHEEL, TOY VEHICLE WHEEL,
AND/OR REPLICAS THEREOF**

(71) Applicant: **Bayerische Motoren Werke
Aktiengesellschaft, Munich (DE)**

(72) Inventor: **Jan Patrick Rosenthal, Munich (DE)**

(73) Assignee: **Bayerische Motoren Werke
Aktiengesellschaft, Munich (DE)**

(**) Term: **15 Years**

(21) Appl. No.: **29/678,798**

(22) Filed: **Jan. 31, 2019**

(30) **Foreign Application Priority Data**

Aug. 9, 2018 (DE) 40 2018 100 784

(51) **LOC (13) Cl.** **12-16**

(52) **U.S. Cl.**
USPC **D12/204; D21/563**

(58) **Field of Classification Search**
USPC D12/204-213; D21/563
CPC B60B 7/00; B60B 7/02; B60B 7/04; B60B
7/01; B60B 7/06; B60B 3/02; B60B 3/04;
B60B 3/06; B60B 3/10; B60B 1/00;
B60B 1/08; B60B 1/10; B60B 1/12
See application file for complete search history.

(56) **References Cited**

U.S. PATENT DOCUMENTS

D191,260 S * 9/1961 Lyon D12/204
D267,402 S * 12/1982 Schinella D12/204
D267,562 S * 1/1983 Palmer D12/211
D268,261 S * 3/1983 Boyer D12/211
D287,960 S * 1/1987 Boyer D12/211

D307,737 S * 5/1990 Boyer D12/209
D324,200 S * 2/1992 Lorinser D12/211
D325,019 S 3/1992 Boyer
D658,562 S * 5/2012 Junghanns D12/211
D764,998 S * 8/2016 Woodhouse D12/204
D777,073 S * 1/2017 Chung D12/211
D803,127 S * 11/2017 Weil D12/204
D860,090 S * 9/2019 Lim D12/204
D864,071 S * 10/2019 Han D12/204
D865,606 S * 11/2019 Han D12/204
D866,435 S * 11/2019 Interrante D12/209

FOREIGN PATENT DOCUMENTS

EM 000525415-0002 6/2006
WO WO DM/015850 4/1990
WO WO DM/024457 1/1993
WO WO DM/061823 12/2002

* cited by examiner

Primary Examiner — Stacia A Cadmus

(74) *Attorney, Agent, or Firm* — Crowell & Moring LLP

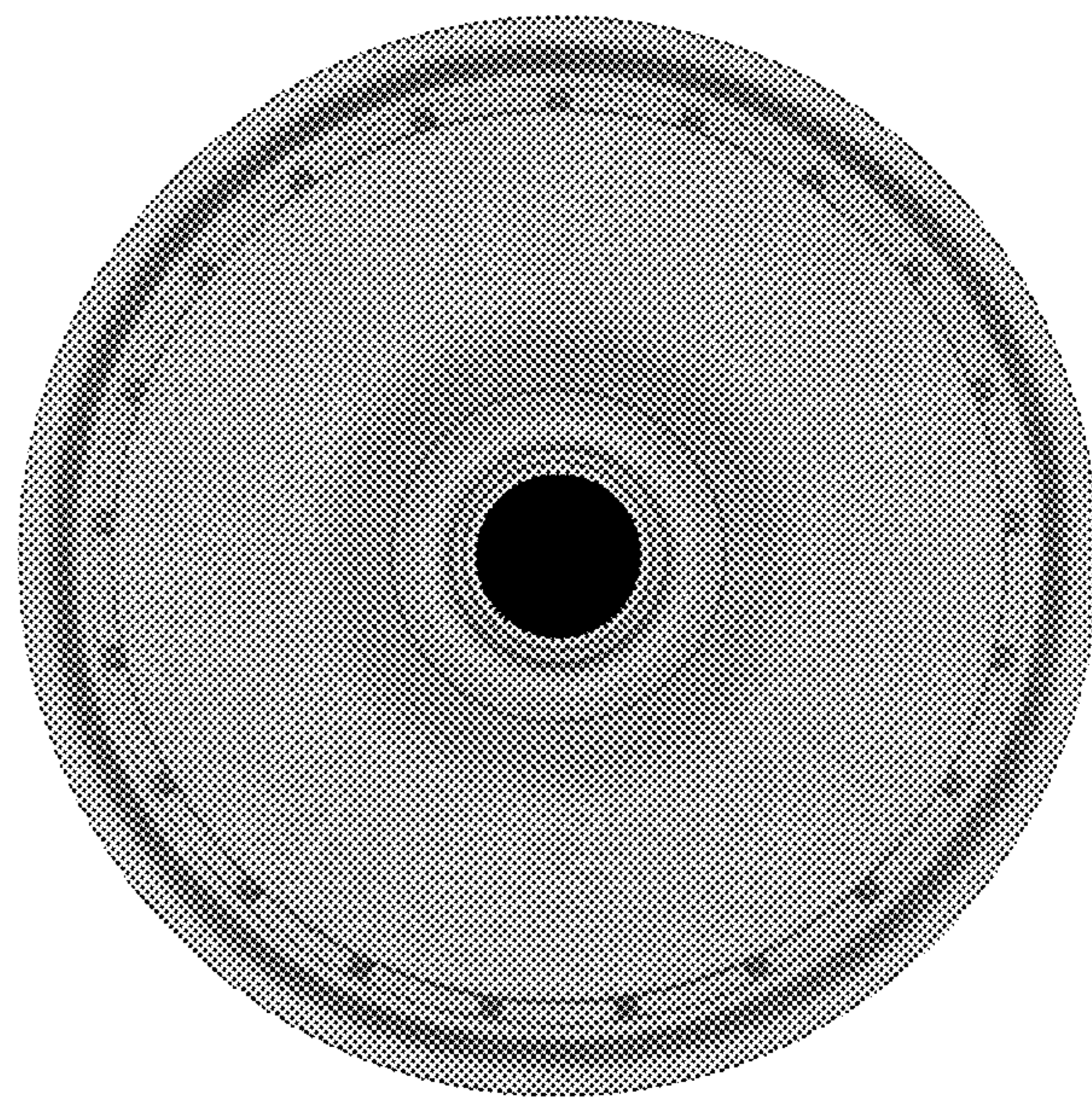
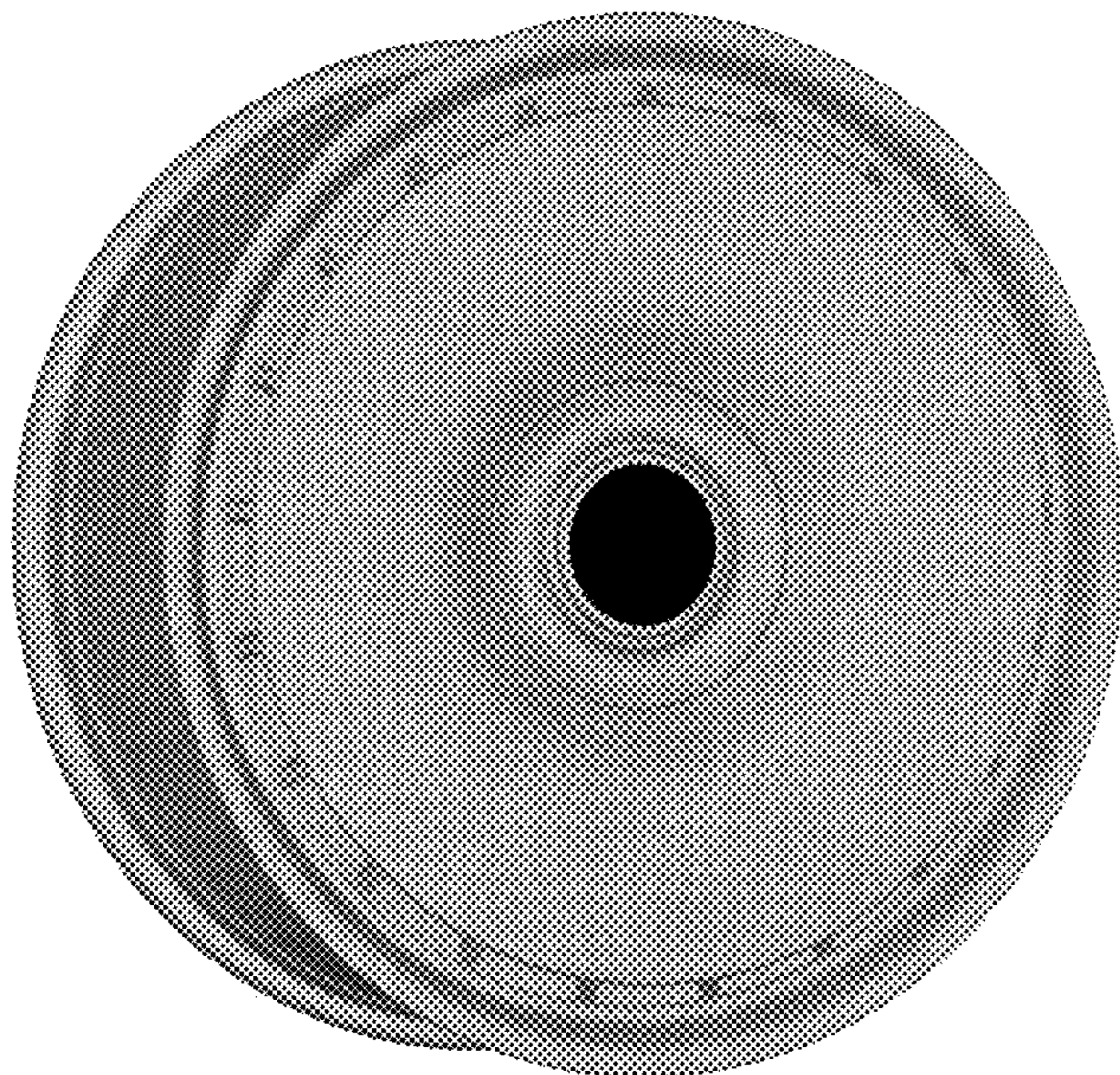
(57) **CLAIM**

The ornamental design for a vehicle wheel, toy vehicle wheel, and/or replicas thereof, as shown and described.

DESCRIPTION

FIG. 1 is a perspective view of a vehicle wheel, toy vehicle wheel, and/or replicas thereof according to the design; FIG. 2 is an additional perspective view thereof; FIG. 3 is an additional perspective view thereof; FIG. 4 is a front view thereof; FIG. 5 is a rear view thereof in a lighter gray scale, representing environmental features that form no part of the claimed design; and, FIG. 6 is a side view thereof.

1 Claim, 6 Drawing Sheets



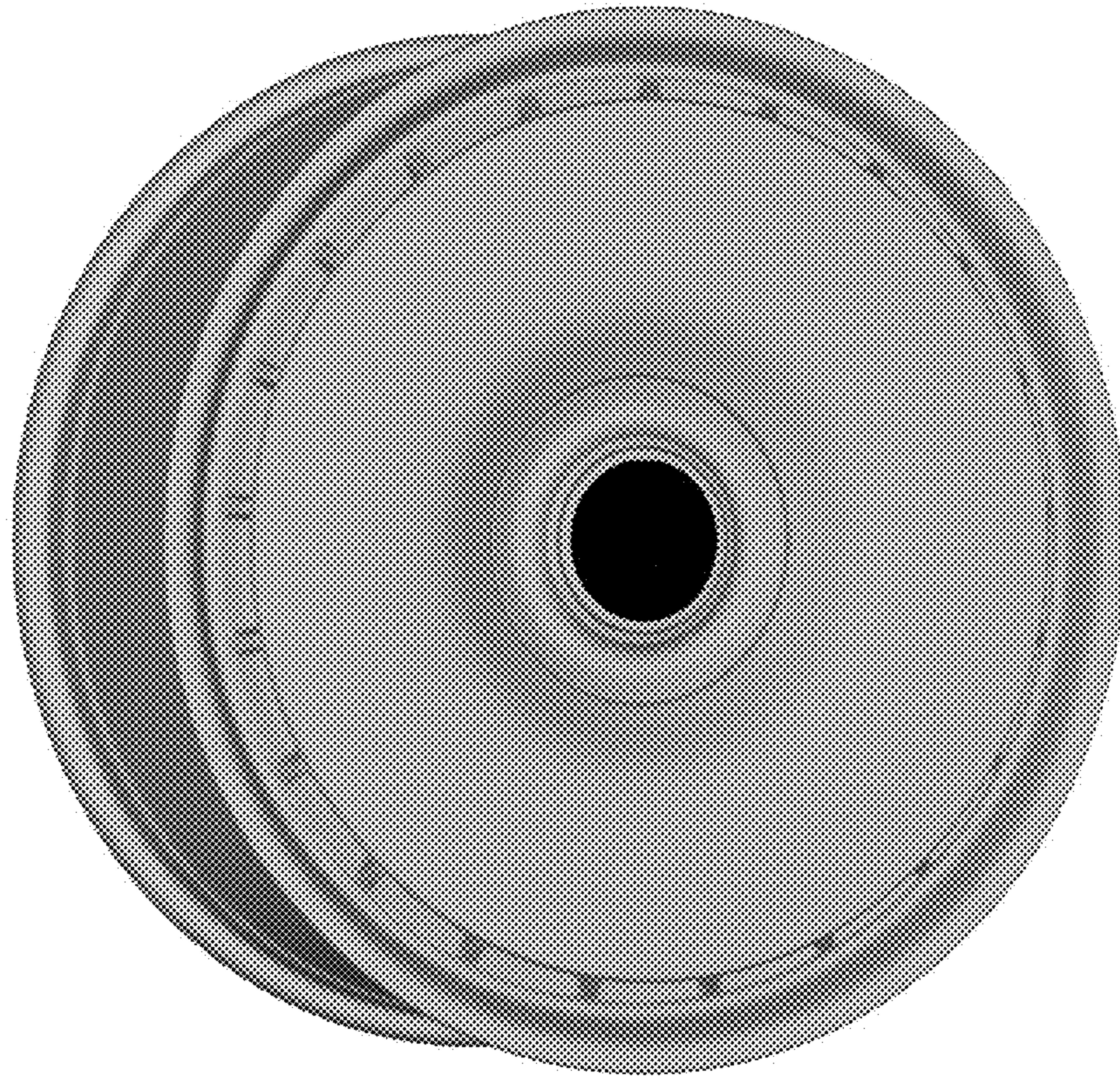


Fig. 1

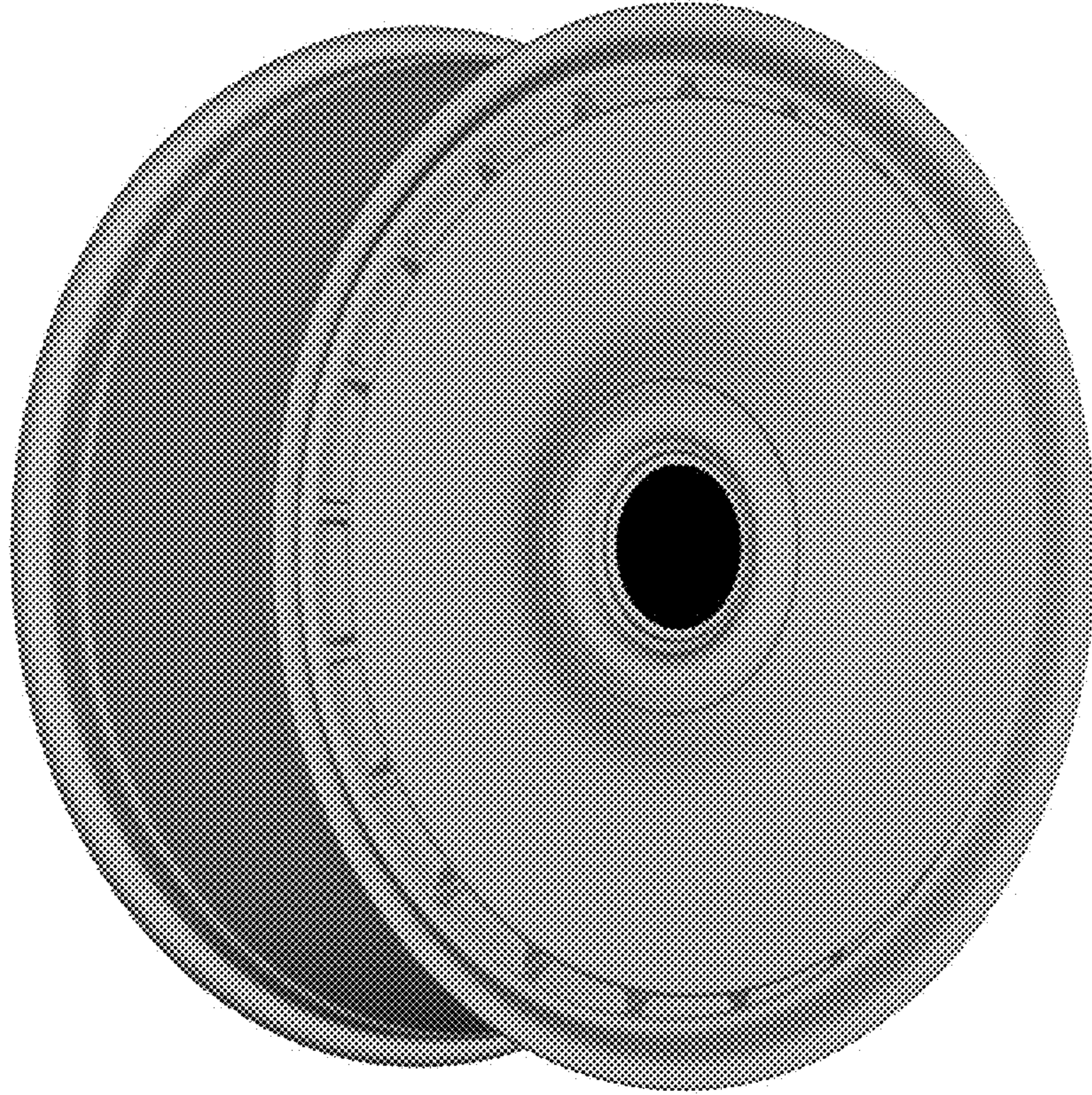


Fig. 2

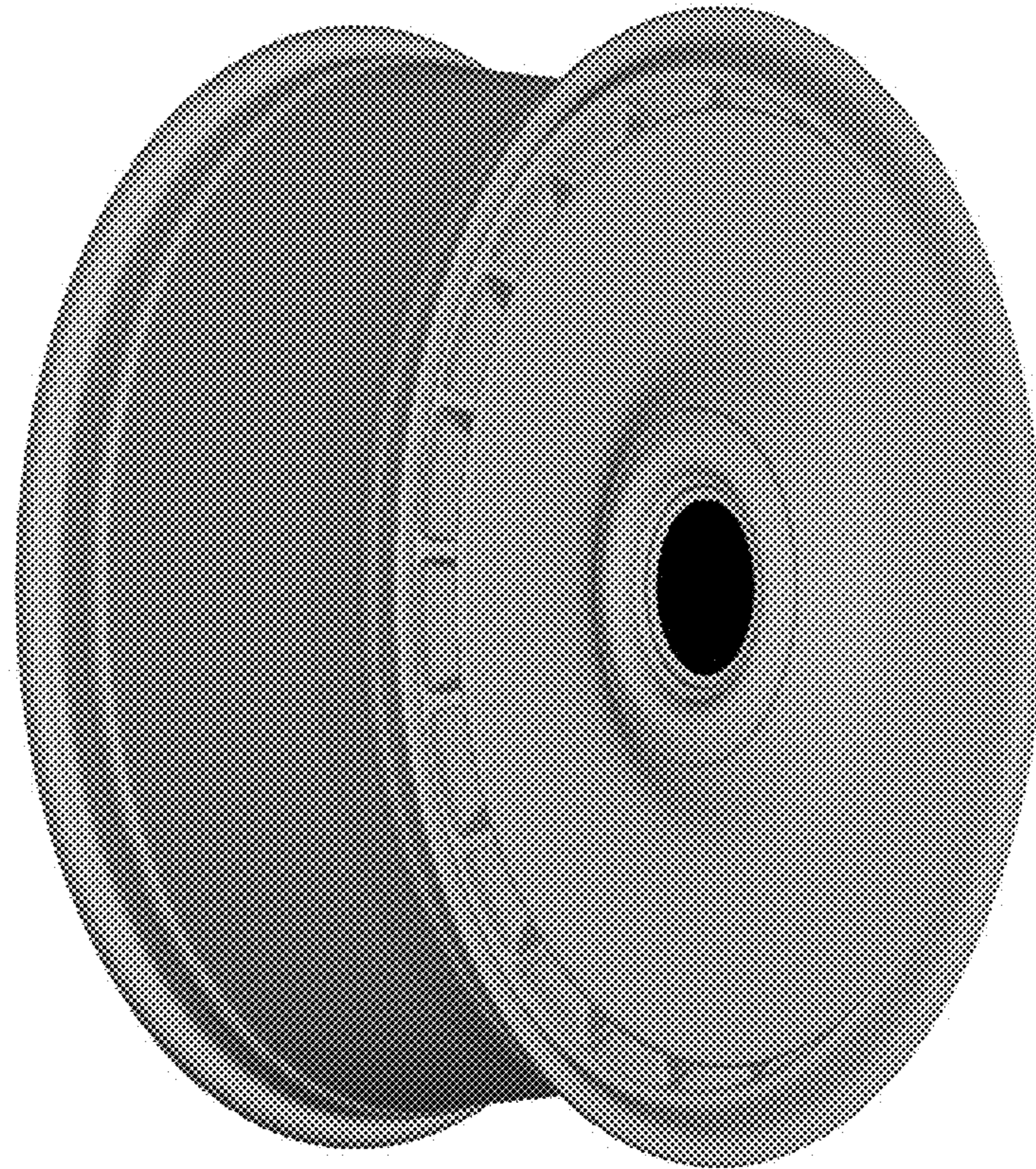


Fig. 3

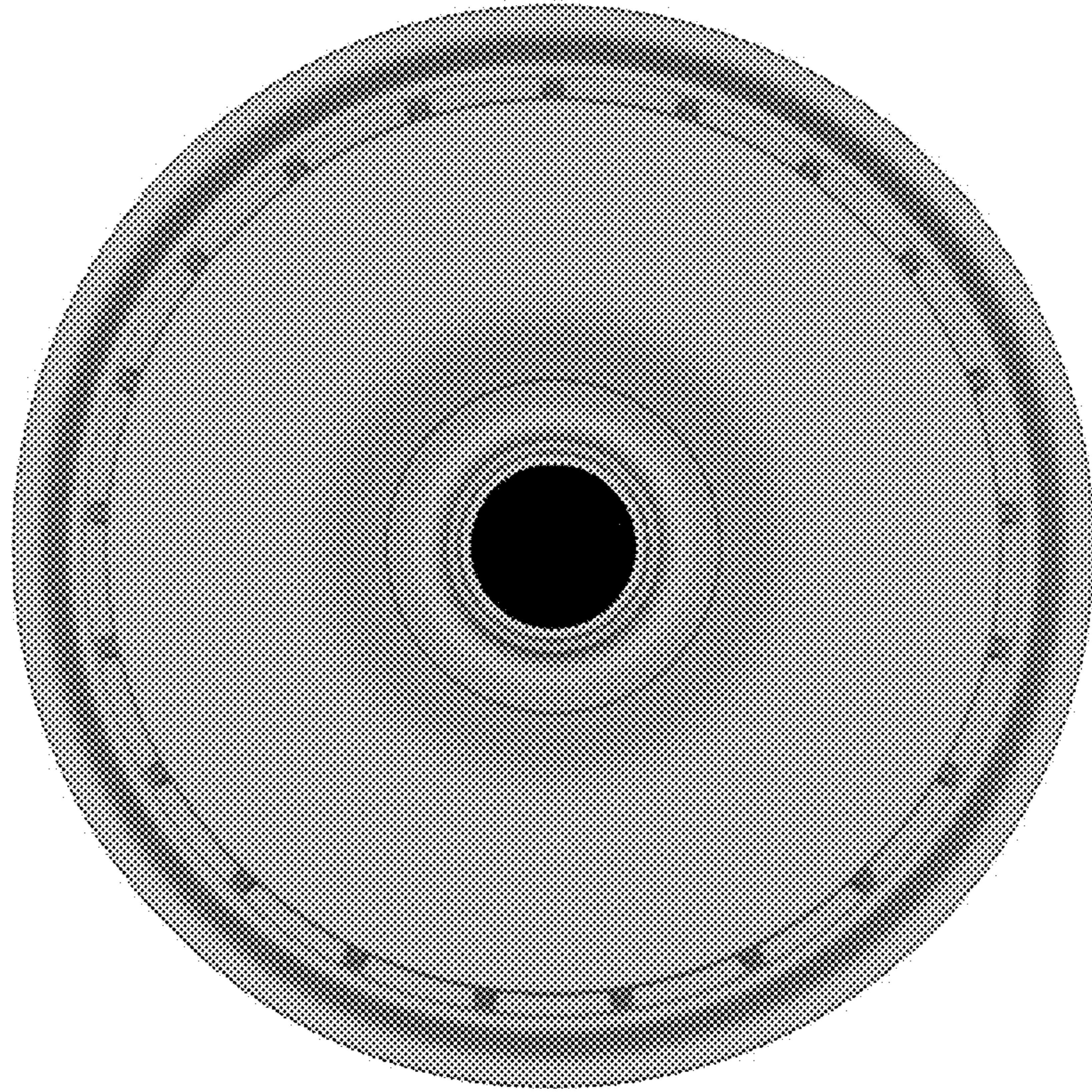


Fig. 4

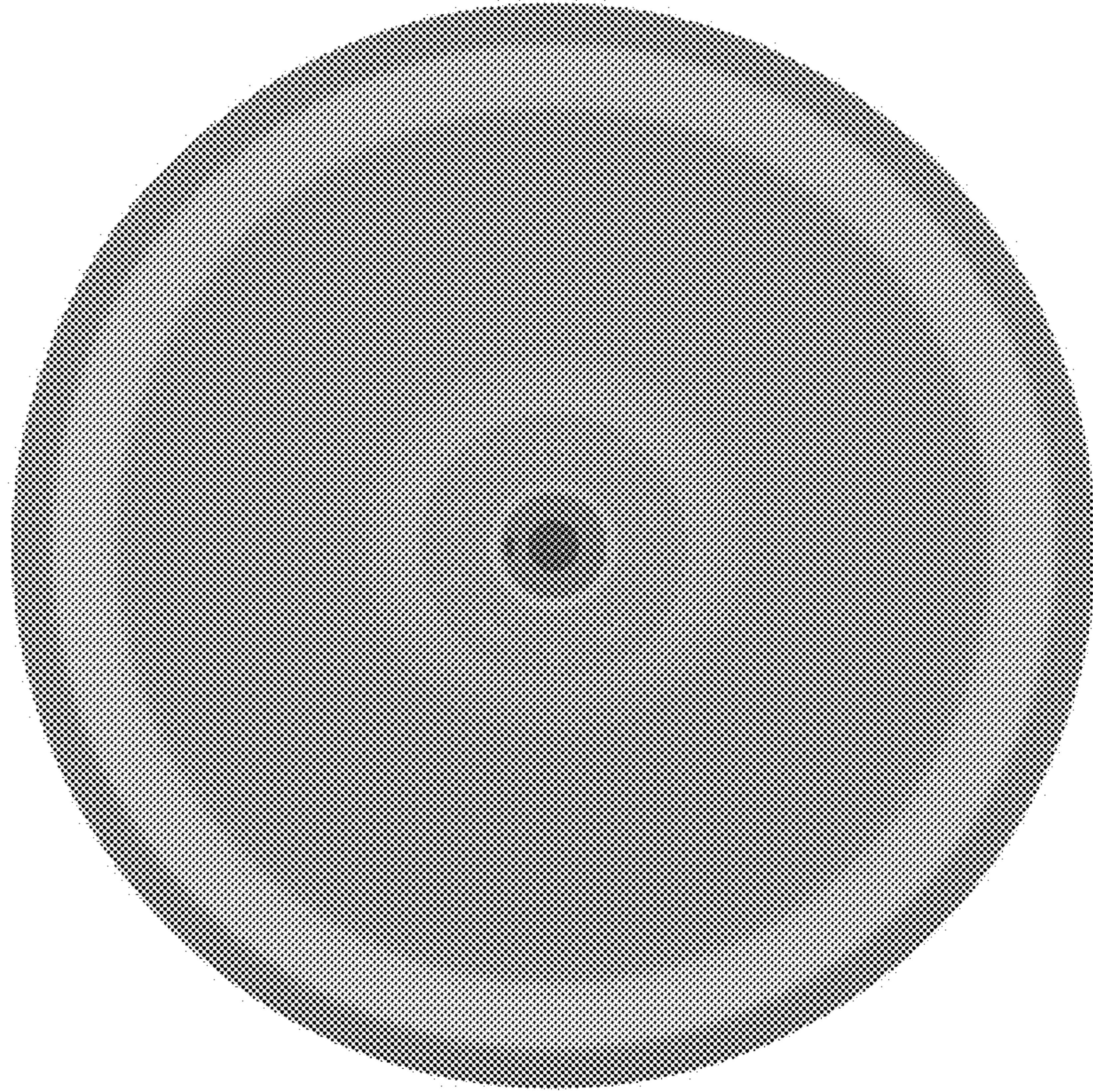


Fig. 5

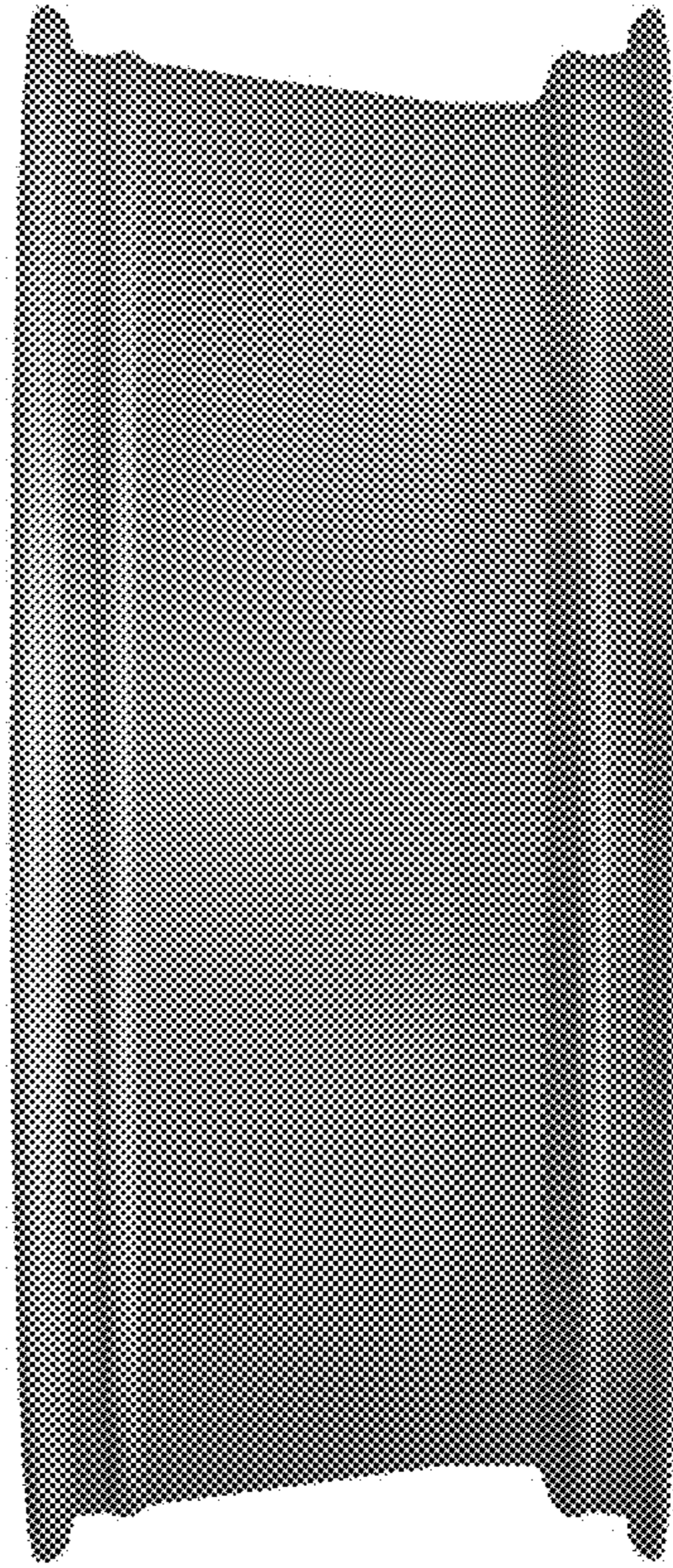


Fig. 6