



US00D906918S

(12) **United States Design Patent** (10) **Patent No.:** **US D906,918 S**
Ponz (45) **Date of Patent:** **** Jan. 5, 2021**

(54) **REAR GRILLE SURROUND FOR A DUMPER**

(71) Applicant: **AUSA Center, S.L.U.**, Manresa (ES)

(72) Inventor: **Raul Ponz**, Manresa (ES)

(73) Assignee: **AUSA Center, S.L.U.**, Manresa (ES)

(**) Term: **15 Years**

(21) Appl. No.: **29/689,507**

(22) Filed: **Apr. 30, 2019**

(51) **LOC (13) Cl.** **12-16**

(52) **U.S. Cl.**
USPC **D12/196**

(58) **Field of Classification Search**
USPC D12/86, 90, 91, 92, 163, 169, 171, 181,
D12/184, 196
CPC B62D 33/0617; B62D 53/0821; B60G
2300/07; B60R 13/04; G06F 3/048; H04L
51/04; H04L 51/28
See application file for complete search history.

(56) **References Cited**

U.S. PATENT DOCUMENTS

D560,050 S	1/2008	Tokach et al.	
D576,775 S	9/2008	Buchmann et al.	
D578,274 S	10/2008	Tokach et al.	
D647,827 S *	11/2011	Medina	D12/163
D651,783 S	1/2012	Shibata et al.	
D655,226 S *	3/2012	Hanson	D12/163
D656,293 S	3/2012	Kazaoka et al.	
D657,113 S	4/2012	Shibata et al.	
D673,489 S *	1/2013	Hanson	D12/196
D696,831 S	12/2013	Kazaoka et al.	
D710,765 S *	8/2014	Conway	D12/163
D722,214 S	2/2015	Yakushi et al.	
D738,274 S *	9/2015	Hanson	D12/173
D746,014 S	12/2015	Rekow et al.	
D746,534 S	12/2015	Rekow et al.	

D765,566 S *	9/2016	Vena	D12/163
D772,759 S *	11/2016	Lindloff	D12/114
D774,994 S *	12/2016	Aleman	D12/163
D784,426 S	4/2017	Okuyama et al.	
D786,742 S *	5/2017	Ito	D12/163
D802,491 S *	11/2017	Mainville	D12/163
D802,871 S	11/2017	Knie	
D803,731 S *	11/2017	Zipfel	D12/163
D806,762 S	1/2018	Loew et al.	
D814,531 S	4/2018	Jacobsthal et al.	
D825,407 S *	8/2018	Heyde	D12/163
D830,033 S	10/2018	Babel et al.	
D830,242 S *	10/2018	Zipfel	D12/163
D835,011 S *	12/2018	Peltola	D12/163

(Continued)

Primary Examiner — Susan Bennett Hattan

Assistant Examiner — Suzanne E Tisdell

(74) *Attorney, Agent, or Firm* — Wagenknecht IP Law Group, PC

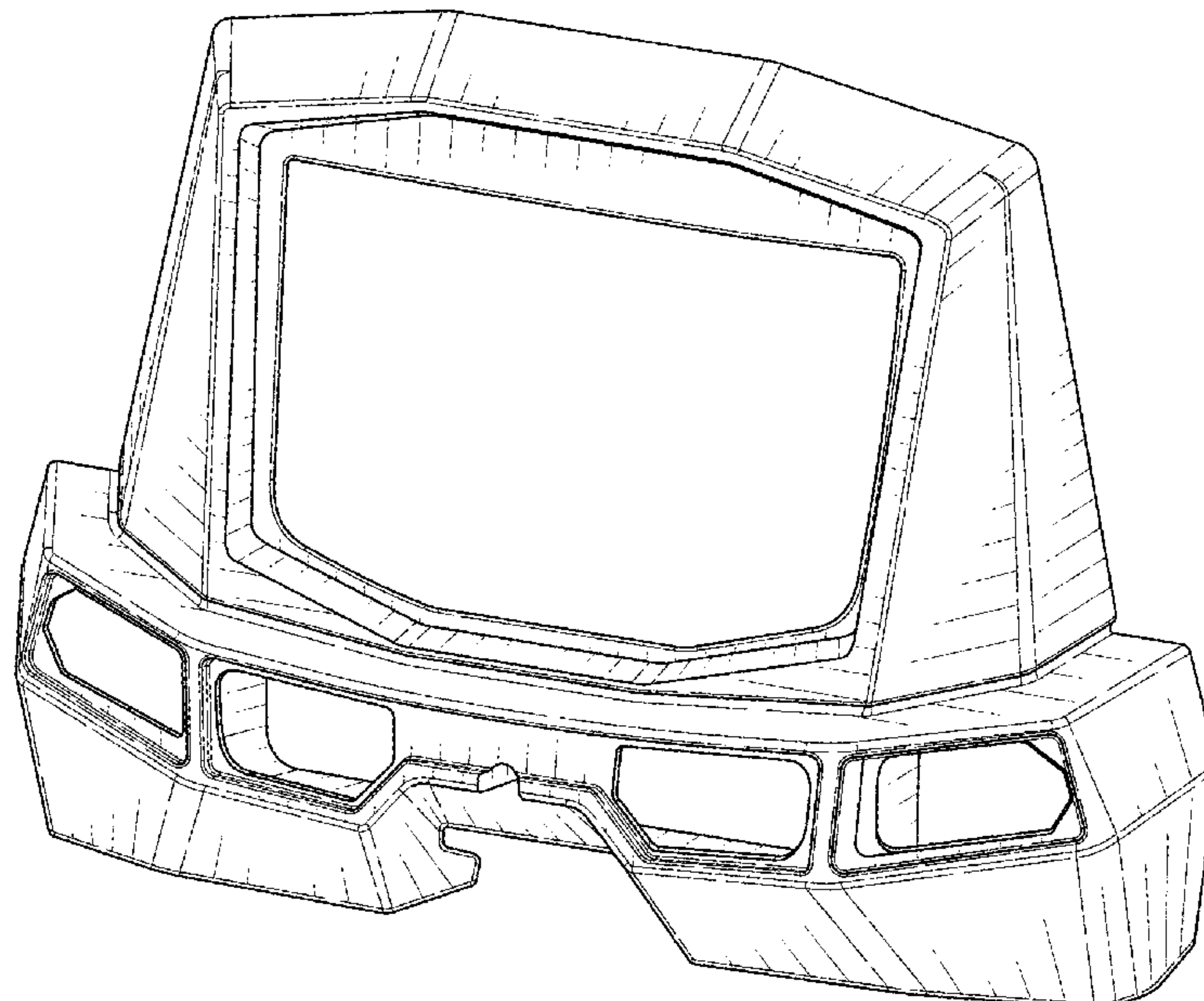
(57) **CLAIM**

What is claimed is an ornamental design for a rear grille surround for a dumper, as shown and described.

DESCRIPTION

FIG. 1 is a front, top, right perspective view of a rear grille surround for a dumper;
FIG. 2 is a front elevational view thereof;
FIG. 3 is a rear elevational view thereof;
FIG. 4 is a left elevational view thereof;
FIG. 5 is a right elevational view thereof;
FIG. 6 is a top plan view thereof;
FIG. 7 is a bottom plan view thereof;
FIG. 8 is a rear, top, right perspective view thereof; and,
FIG. 9 is a front, top, left perspective view thereof, shown installed on a dumper, wherein the broken lines forming the dumper show environmental subject matter for illustrative purposes only and form no part of the claimed design.

1 Claim, 6 Drawing Sheets



(56)

References Cited

U.S. PATENT DOCUMENTS

D845,184	S	*	4/2019	Zipfel	D12/163
D859,233	S	*	9/2019	Izard	D12/163
D863,129	S	*	10/2019	Zipfel	D12/163
D864,053	S	*	10/2019	Zipfel	D12/163
D869,351	S	*	12/2019	Duncan	D12/163
D869,352	S	*	12/2019	Duncan	D12/163
D873,726	S	*	1/2020	Zipfel	D12/163
D885,260	S	*	5/2020	Peltola	D12/163
D885,261	S	*	5/2020	Zipfel	D12/163
D885,264	S	*	5/2020	Lenz, Jr.	D12/164
2009/0085361	A1	*	4/2009	Rosen	B60R 13/04 293/120

* cited by examiner

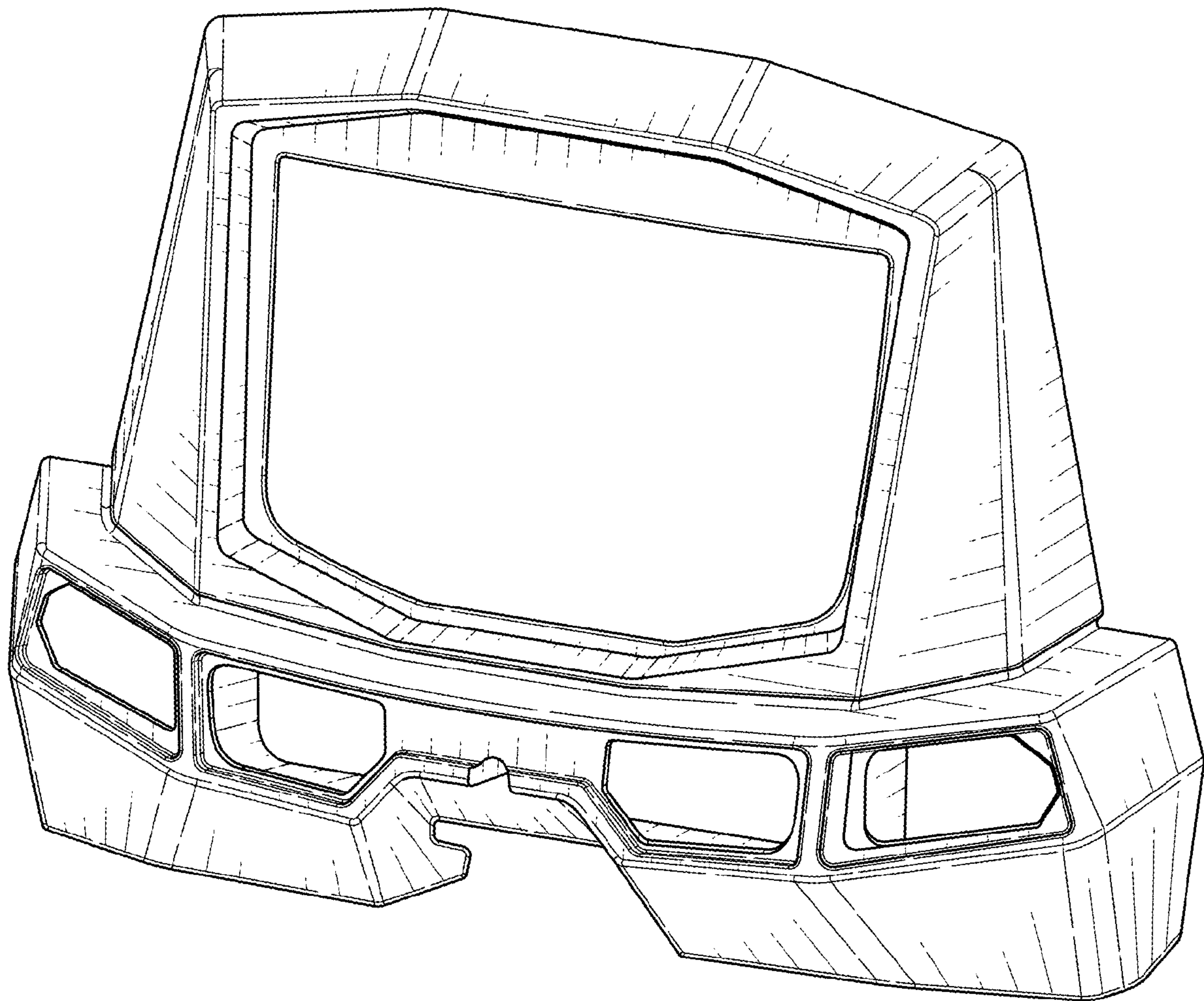


FIG. 1

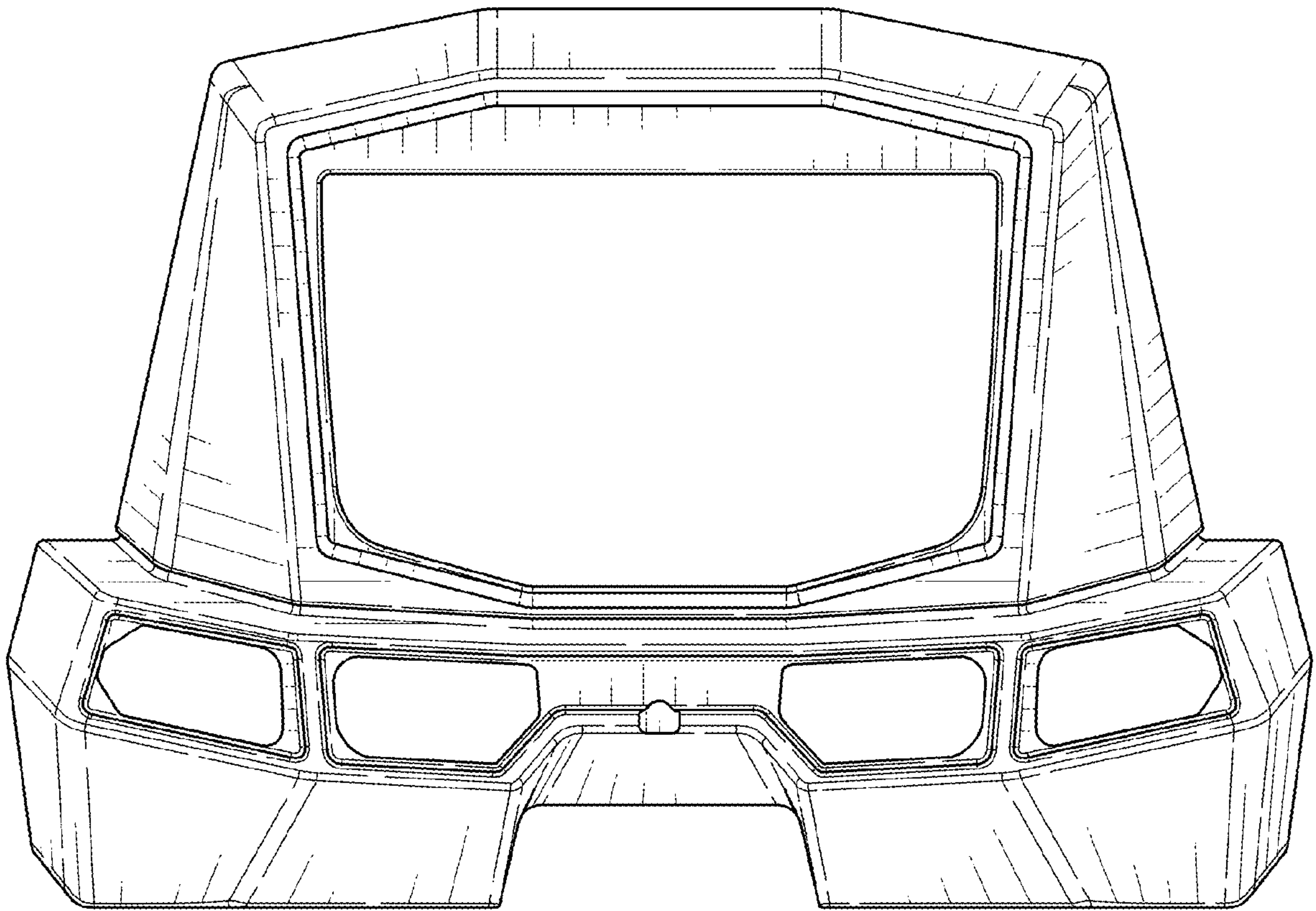


FIG. 2

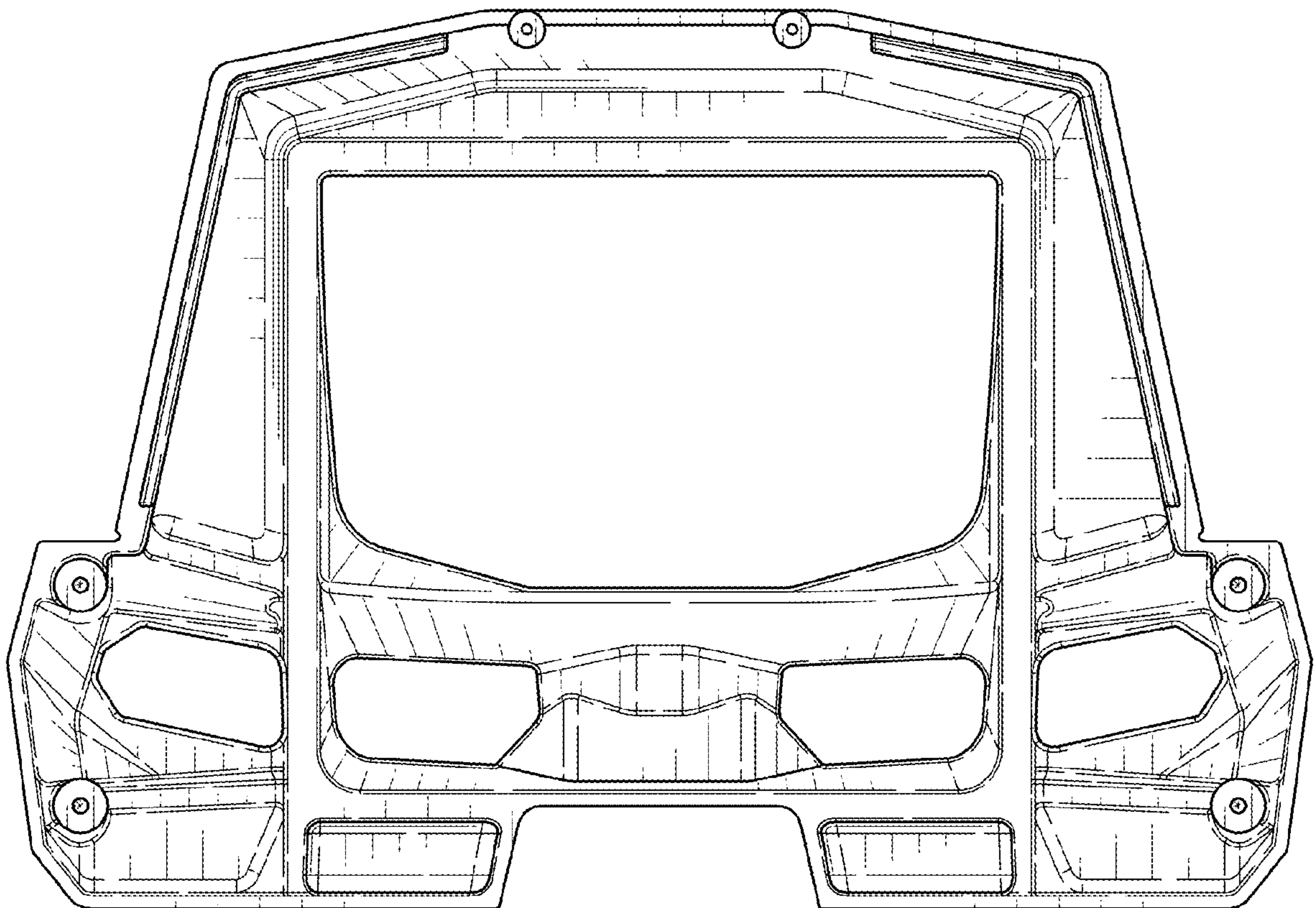


FIG. 3

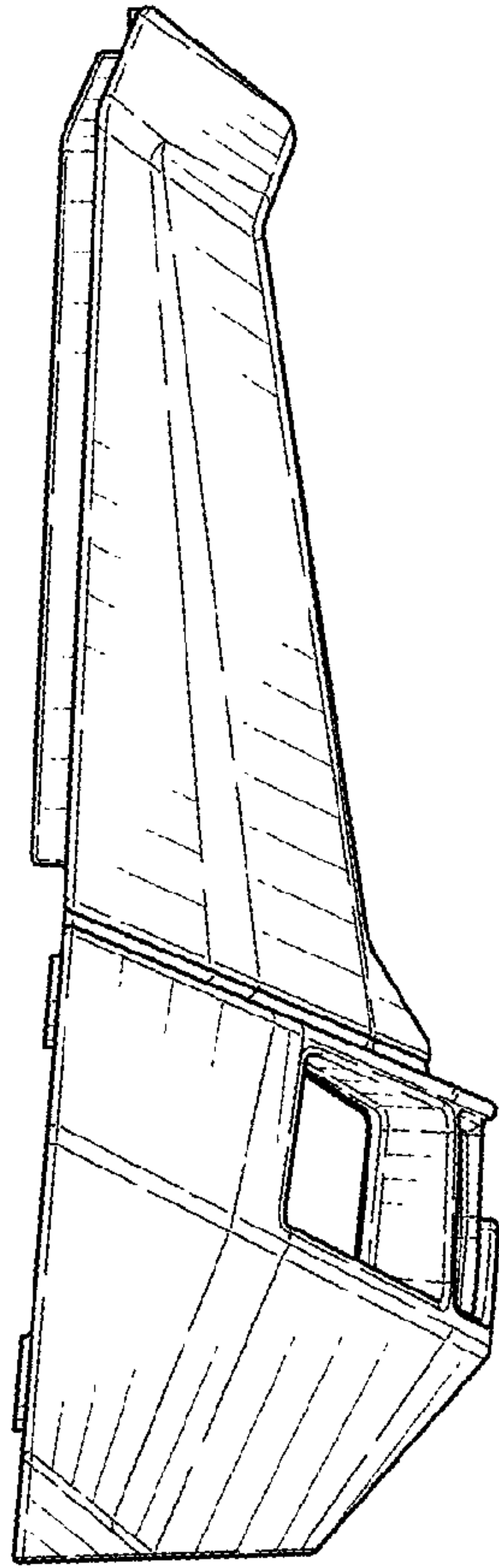


FIG. 4

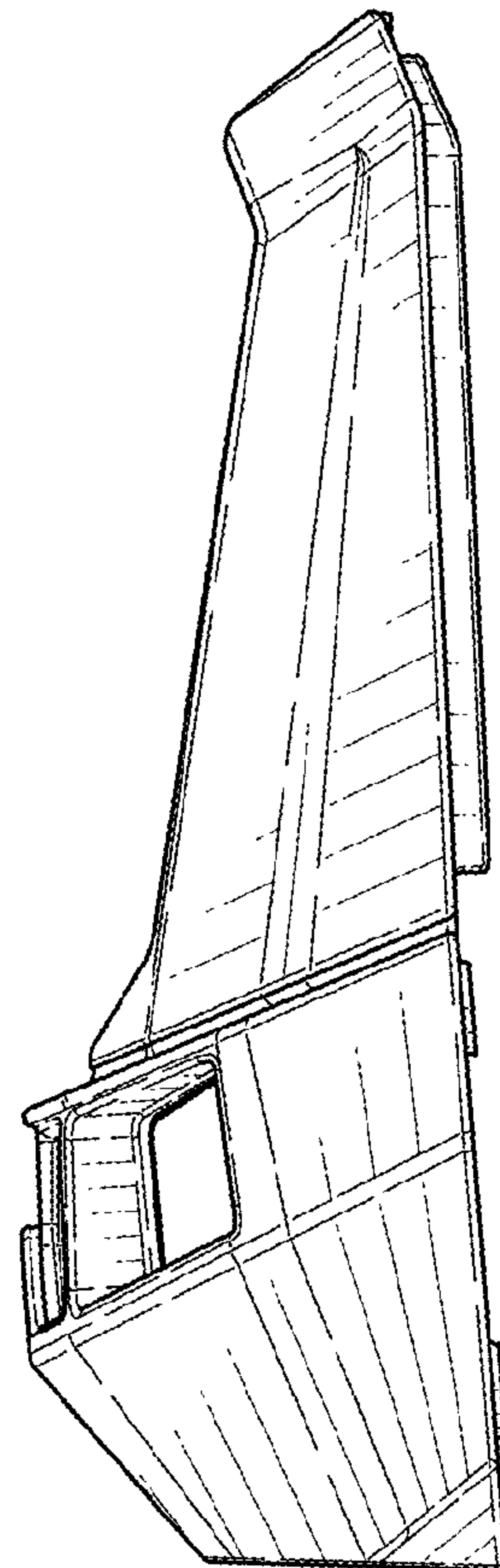


FIG. 5

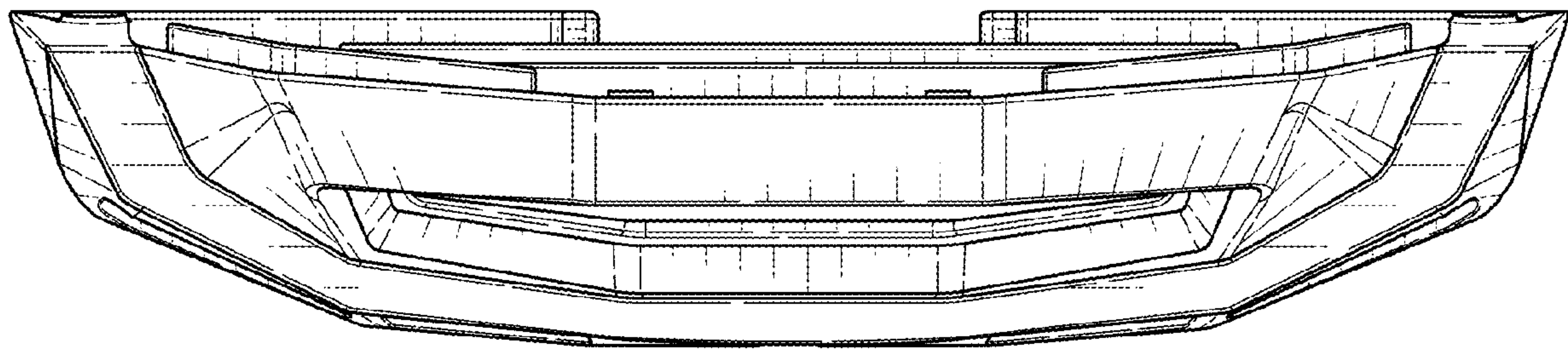


FIG. 6

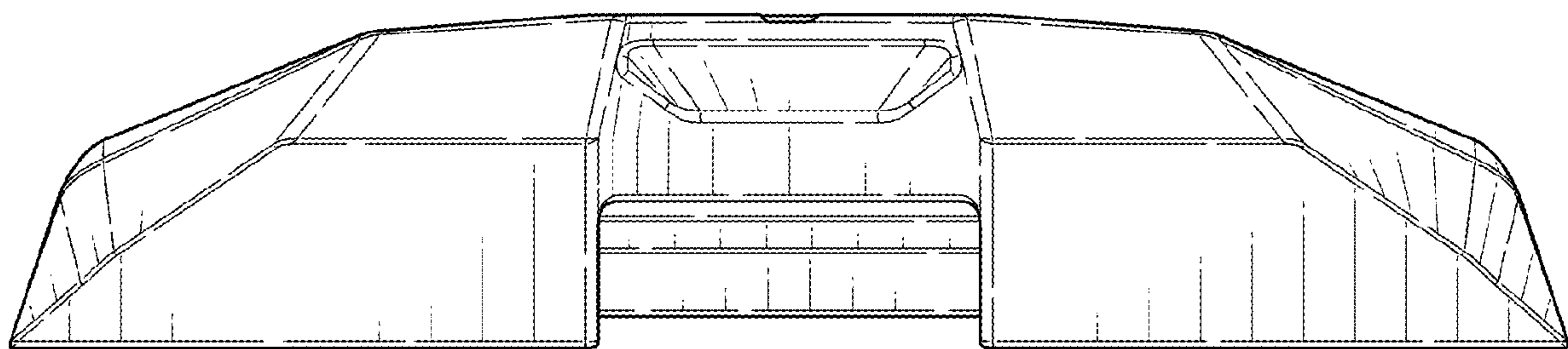


FIG. 7

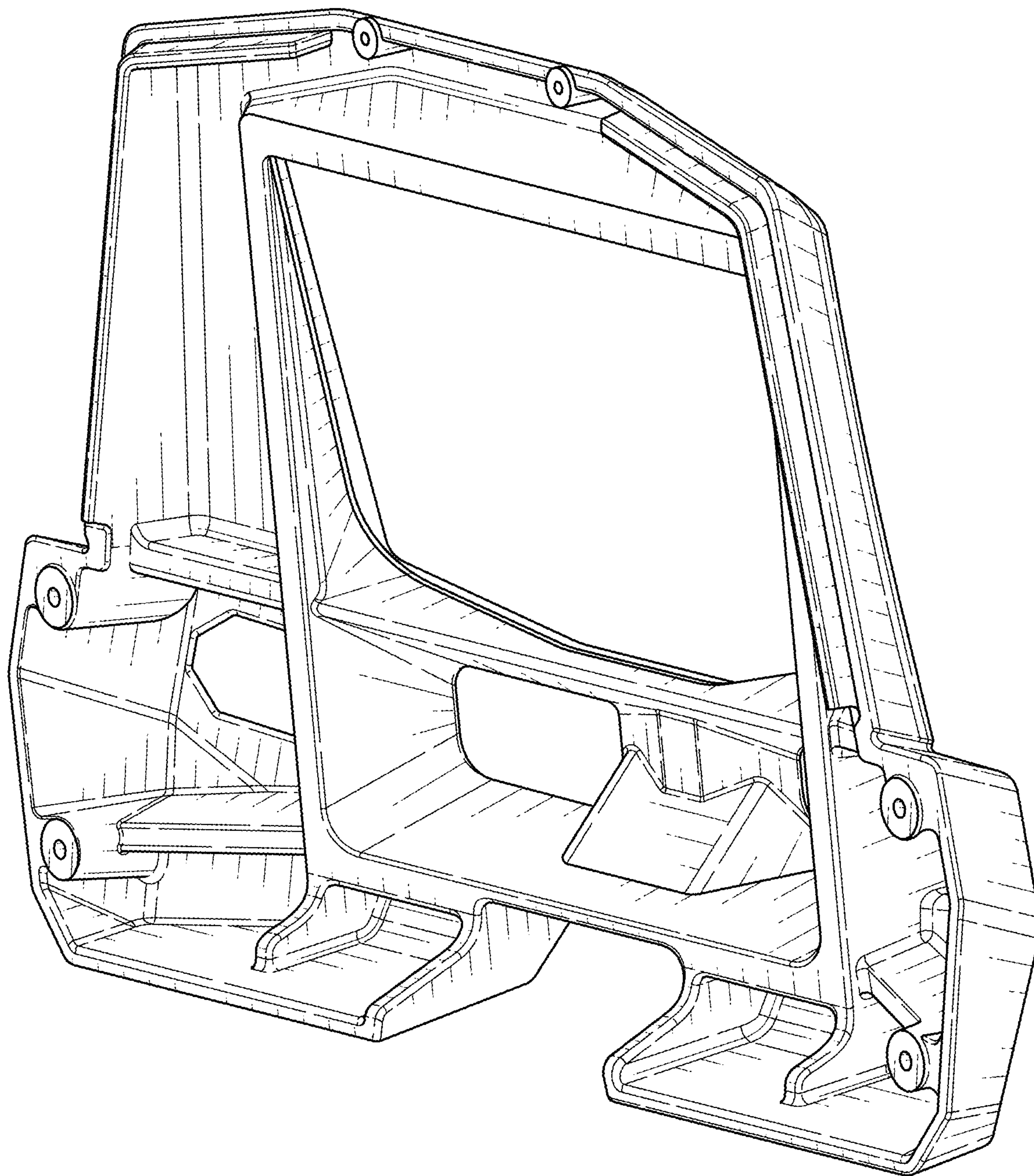


FIG. 8

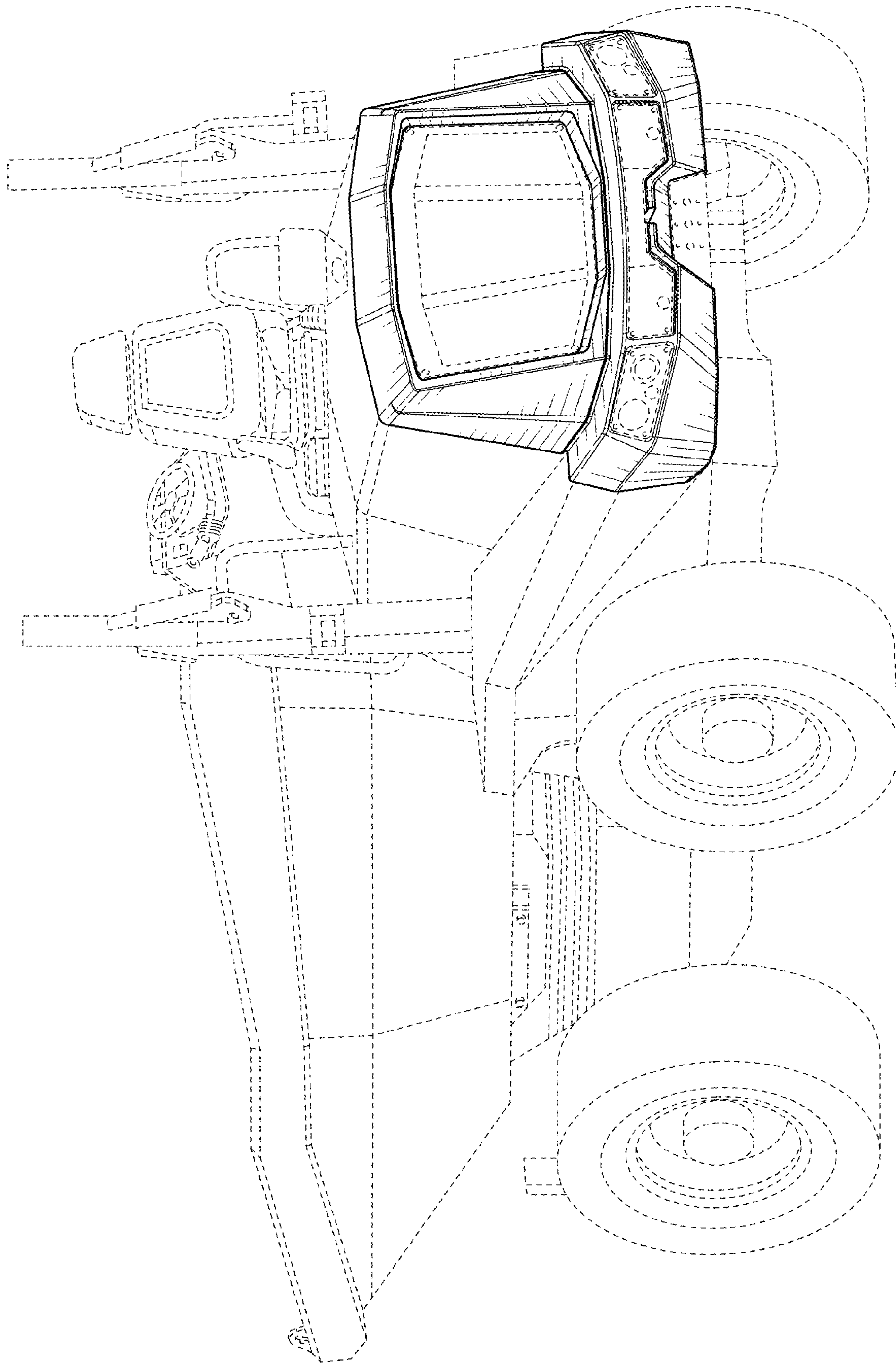


FIG. 9