



US00D906915S

(12) **United States Design Patent** (10) **Patent No.:** **US D906,915 S**
Pham (45) **Date of Patent:** **** *Jan. 5, 2021**

- (54) **FRONT LICENSE BRACKET**
- (71) Applicant: **Tony Pham**, Rancho Cordova, CA (US)
- (72) Inventor: **Tony Pham**, Rancho Cordova, CA (US)
- (*) Notice: This patent is subject to a terminal disclaimer.
- (**) Term: **15 Years**
- (21) Appl. No.: **29/651,668**
- (22) Filed: **Dec. 10, 2018**
- (51) **LOC (13) Cl.** **12-16**
- (52) **U.S. Cl.**
USPC **D12/193**
- (58) **Field of Classification Search**
USPC D12/193; D6/300, 301, 302, 310, 311,
D6/312, 313, 314; D20/13
CPC B60R 13/10; B60R 13/105; B60R 19/24;
B60R 19/52
See application file for complete search history.

(56) **References Cited**

U.S. PATENT DOCUMENTS

| | | | | |
|----------------|---------|------------|-------|-------------|
| D412,876 S * | 8/1999 | Crecelius | | D12/193 |
| D633,837 S * | 3/2011 | Murray | | D12/193 |
| D709,816 S * | 7/2014 | Rohaly | | D12/223 |
| D773,365 S * | 12/2016 | Starke | | D12/193 |
| 9,586,538 B2 * | 3/2017 | Fontayne | | B60R 13/105 |
| D802,506 S * | 11/2017 | Bargen | | D12/193 |
| D813,129 S * | 3/2018 | Hoffheinz | | D12/193 |
| D822,566 S * | 7/2018 | Parnell | | D12/193 |
| D824,307 S * | 7/2018 | Spencer | | D12/193 |
| D824,308 S * | 7/2018 | Parnell | | D12/193 |
| D833,352 S * | 11/2018 | Reshetnyak | | D12/193 |
| D859,010 S * | 9/2019 | Burch | | D6/301 |

* cited by examiner

Primary Examiner — Natasha Vujcic
(74) *Attorney, Agent, or Firm* — John D. Tran; Rhema Law Group

(57) **CLAIM**

The ornamental design for a front license bracket, as shown and described.

DESCRIPTION

FIG. 1 is a perspective view of the first embodiment of the apparatus of this design.
 FIG. 2 is a front elevational view of the first embodiment of this design.
 FIG. 3 is a right side elevational view of the first embodiment of this design. The left side view is a mirror image thereof.
 FIG. 4 is a top plan view of the first and embodiment of this design.
 FIG. 5 is a rear elevational view of the first embodiment of the apparatus of this design.
 FIG. 6 is a bottom plan view of the first embodiment.
 FIG. 7 is a side elevational view of the second embodiment of this design.
 FIG. 8 is a front elevational view of the second embodiment of this design.
 FIG. 9 is a right side elevational view of the second embodiment of this design. The left side view is a mirror image thereof.
 FIG. 10 is a rear elevational view of the second embodiment of the apparatus of this design; and,
 FIG. 11 is a bottom plan view of the second embodiment.
 The broken lines in the drawings illustrate portions of the front license bracket which form no part of the claimed design.

1 Claim, 11 Drawing Sheets

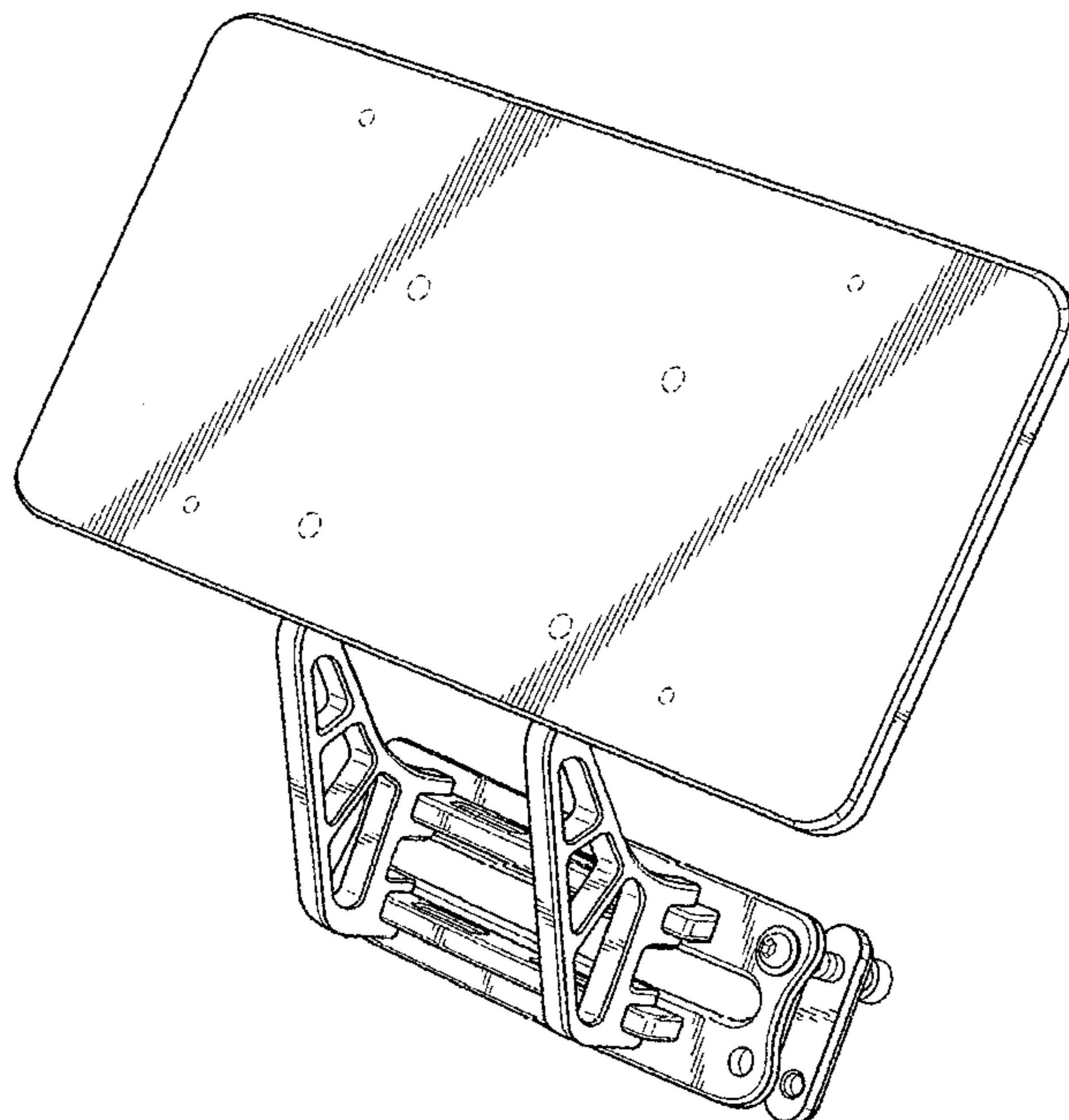


FIG. 1

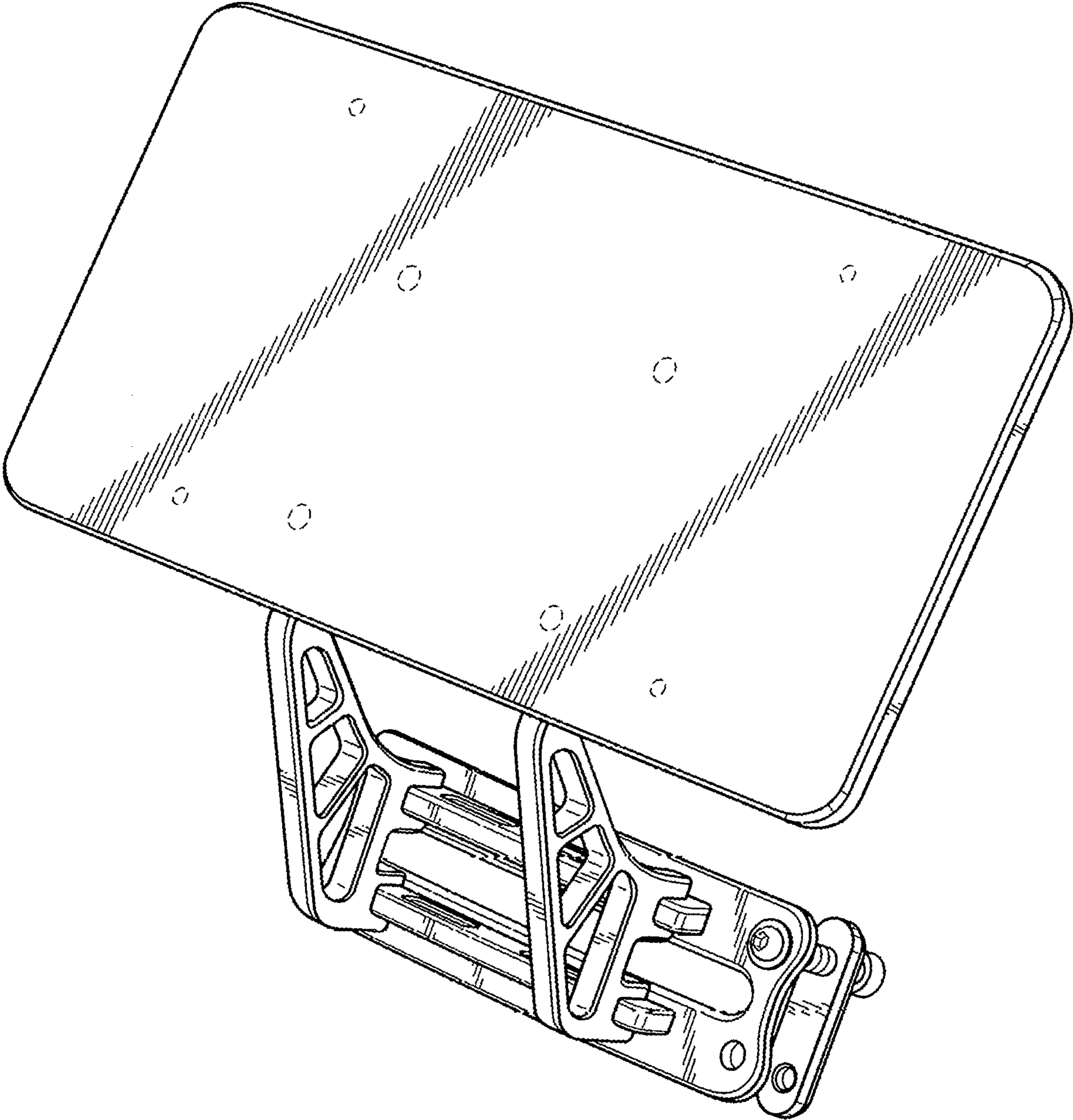
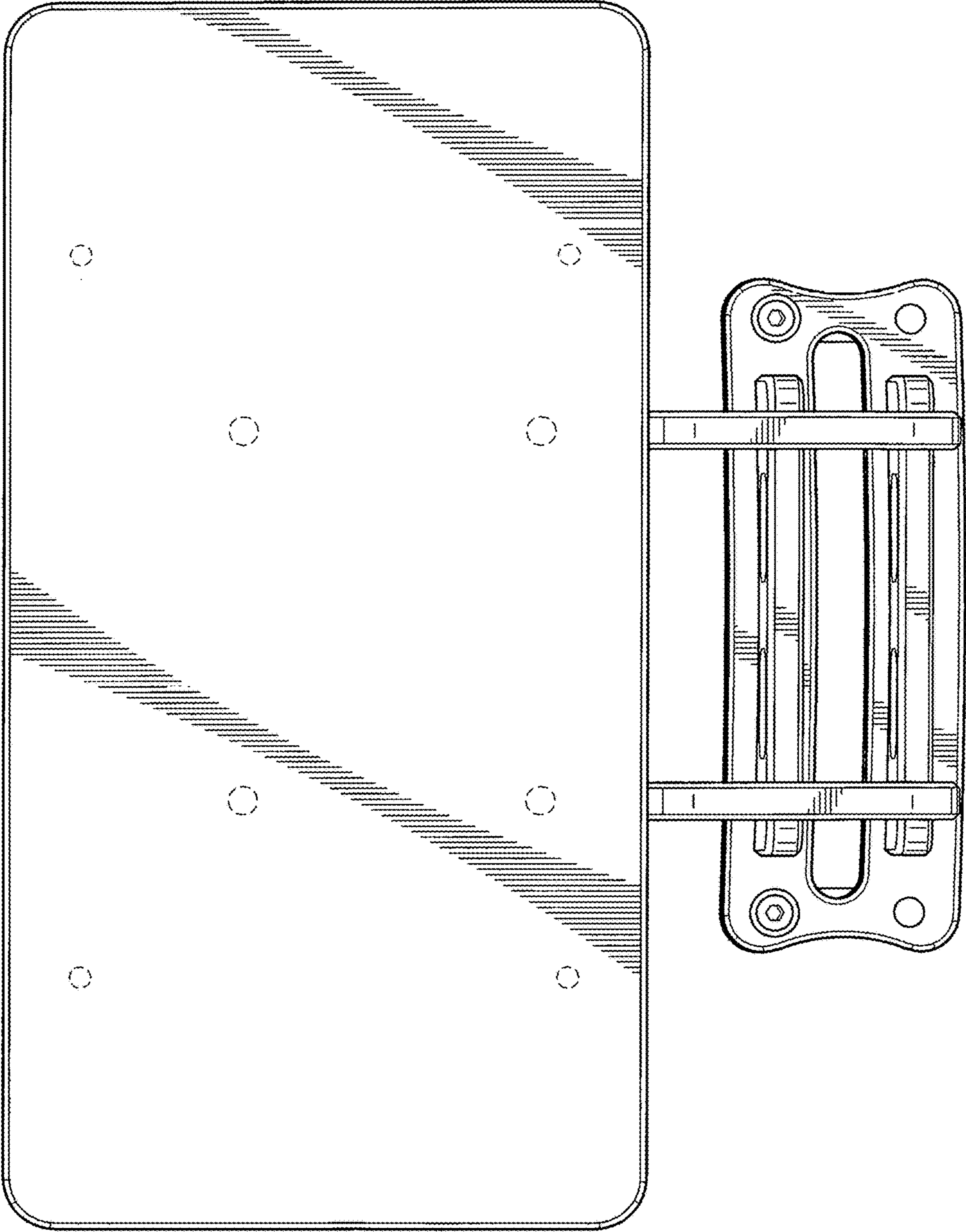


FIG. 2



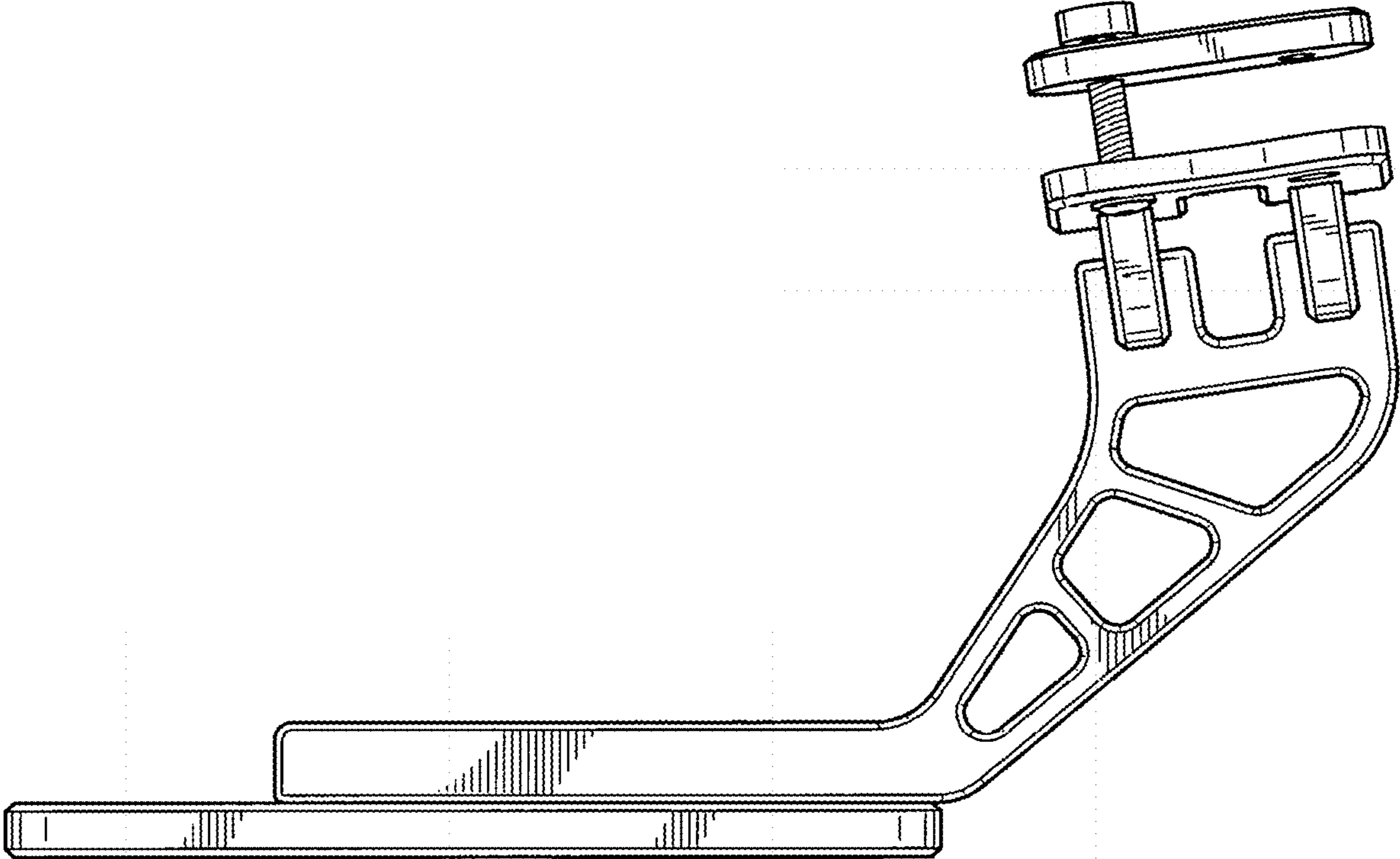


FIG. 3

FIG. 4

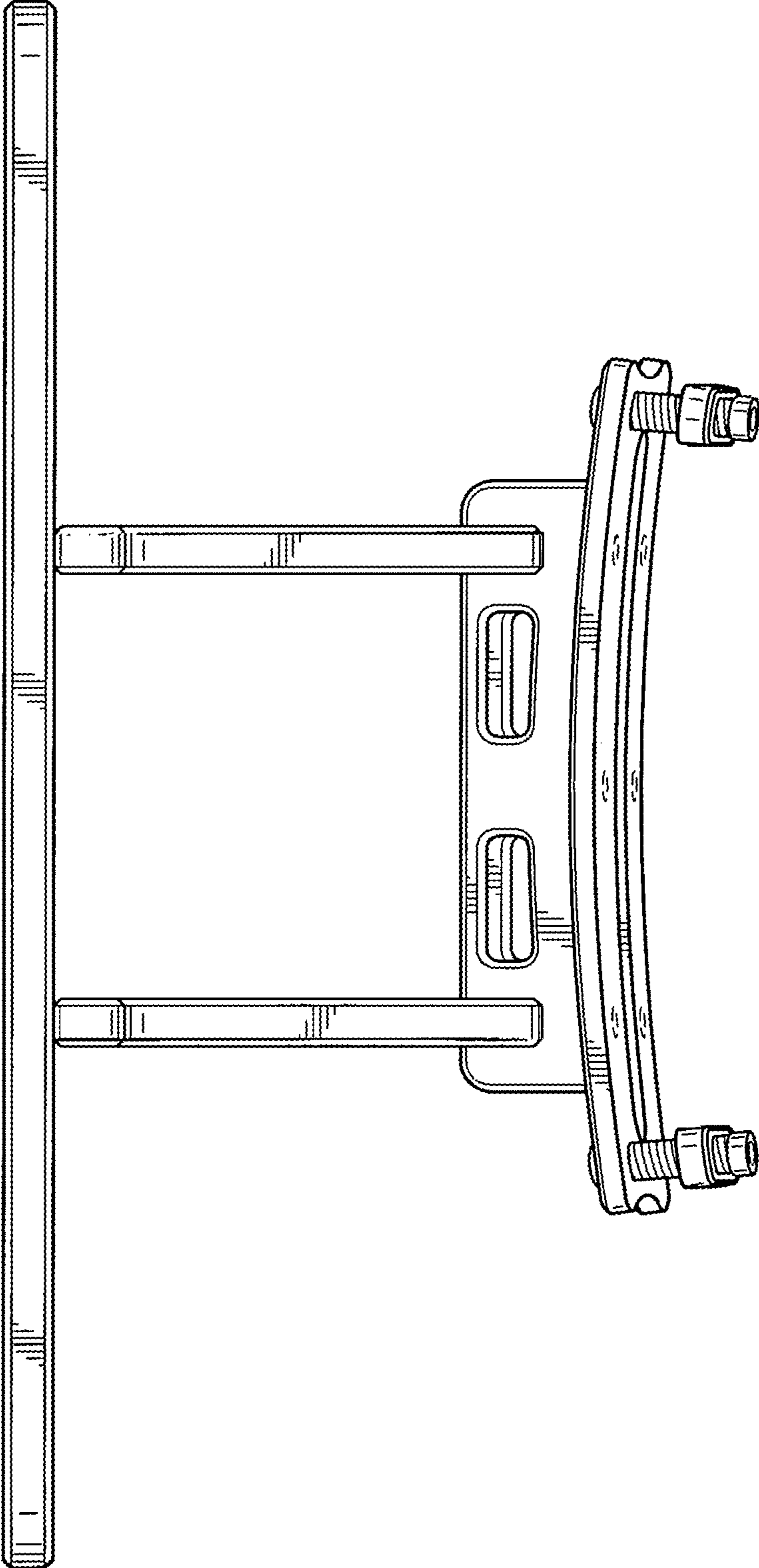


FIG. 5

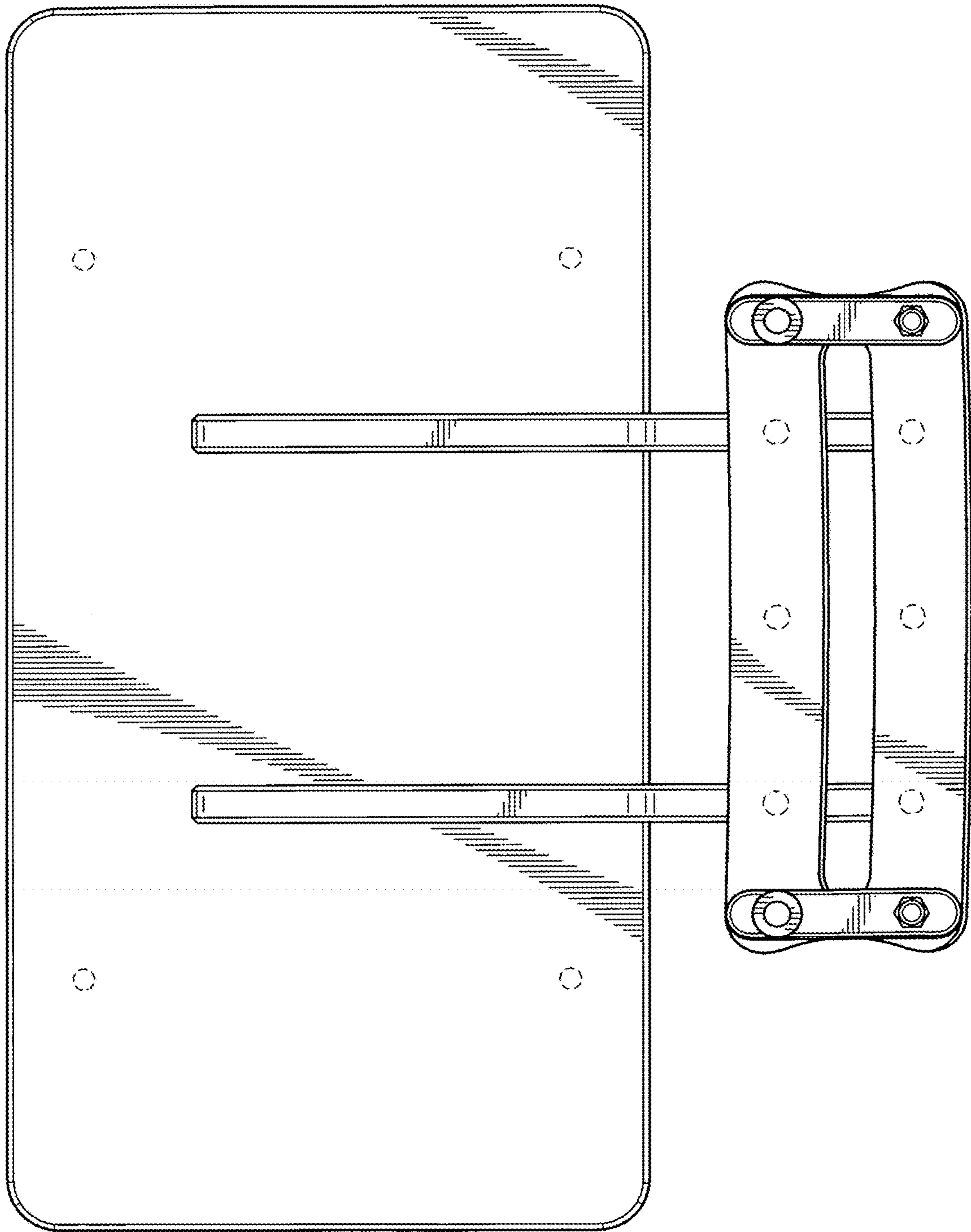


FIG. 6

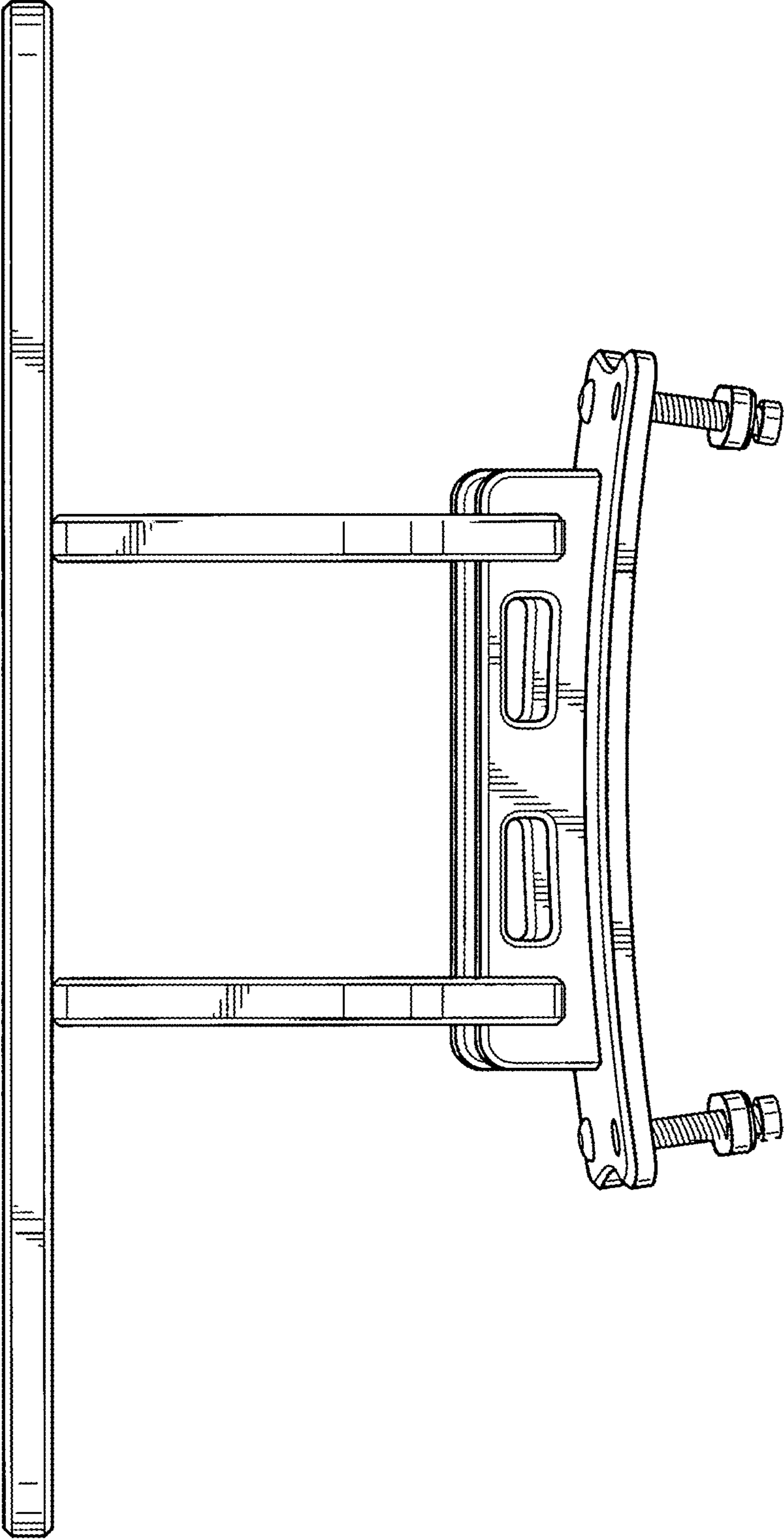
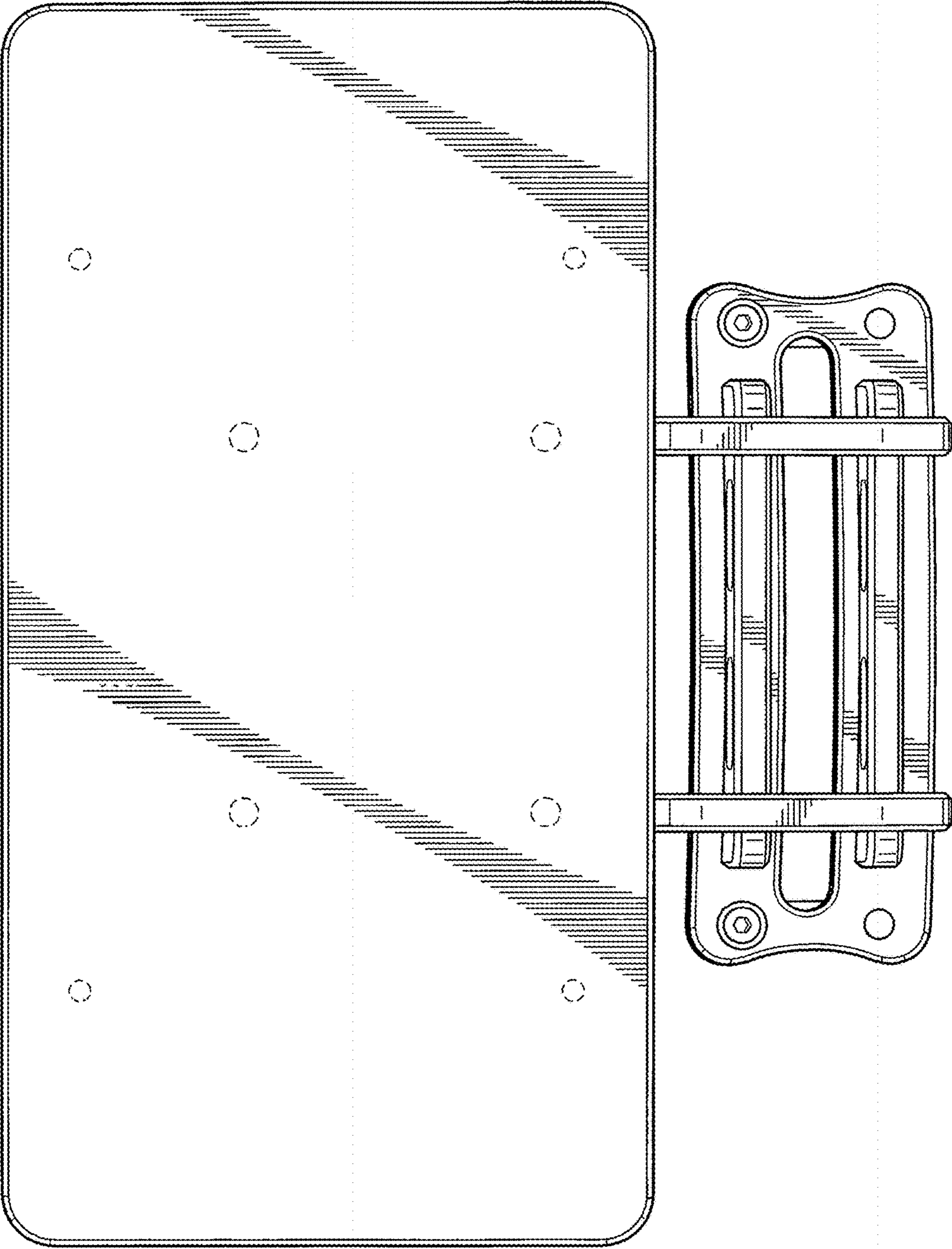


FIG. 7



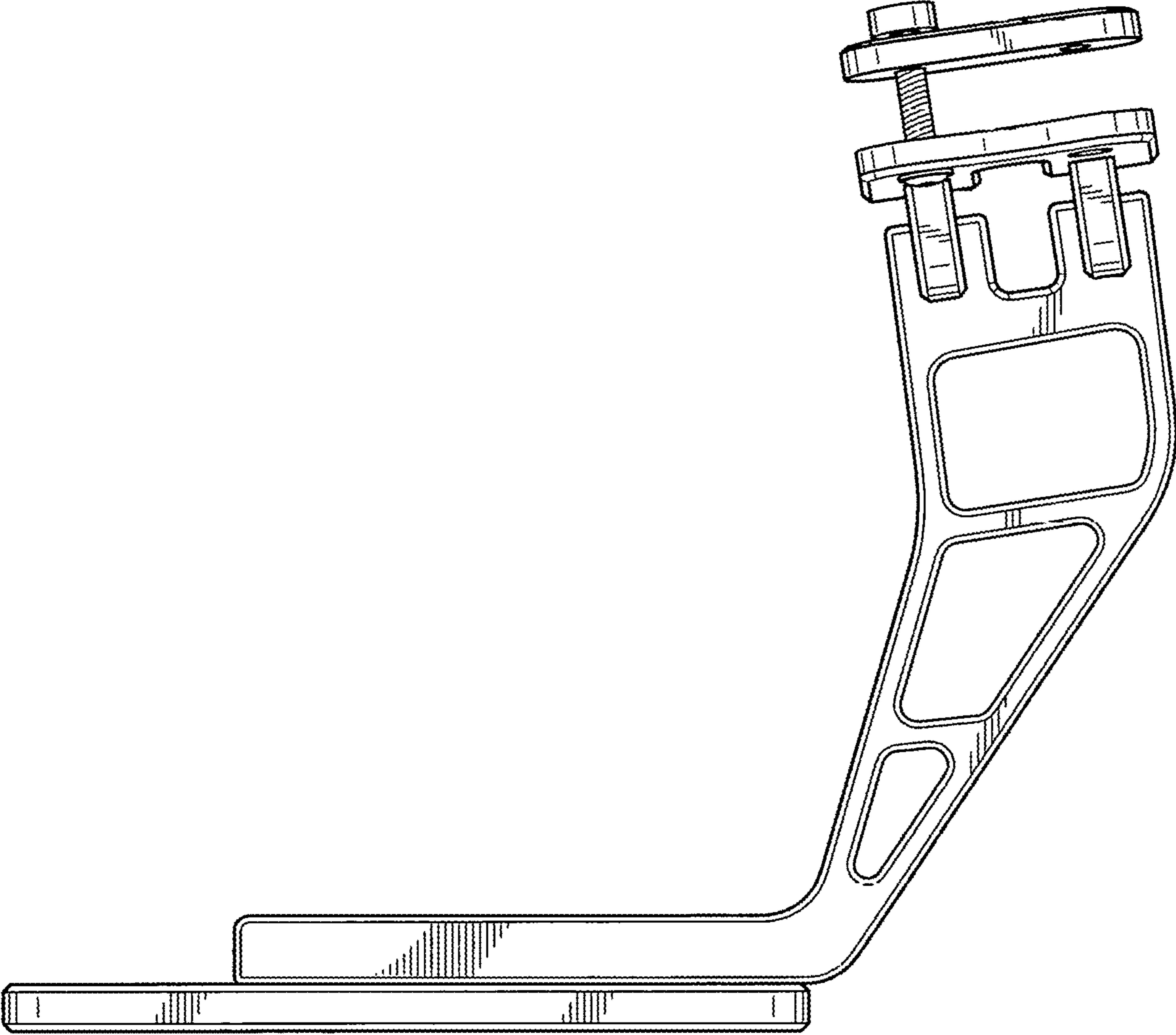


FIG. 8

FIG. 9

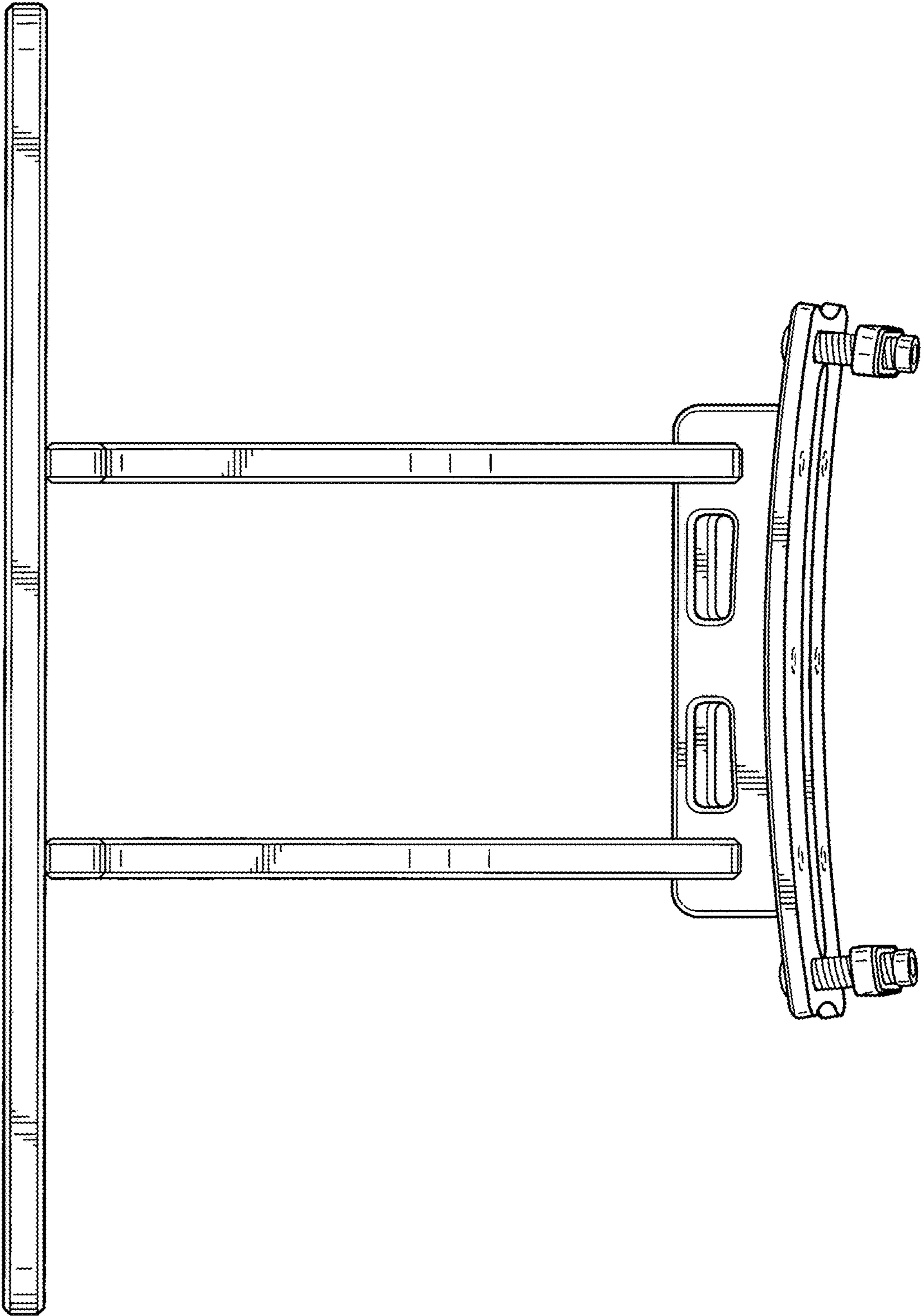


FIG. 10

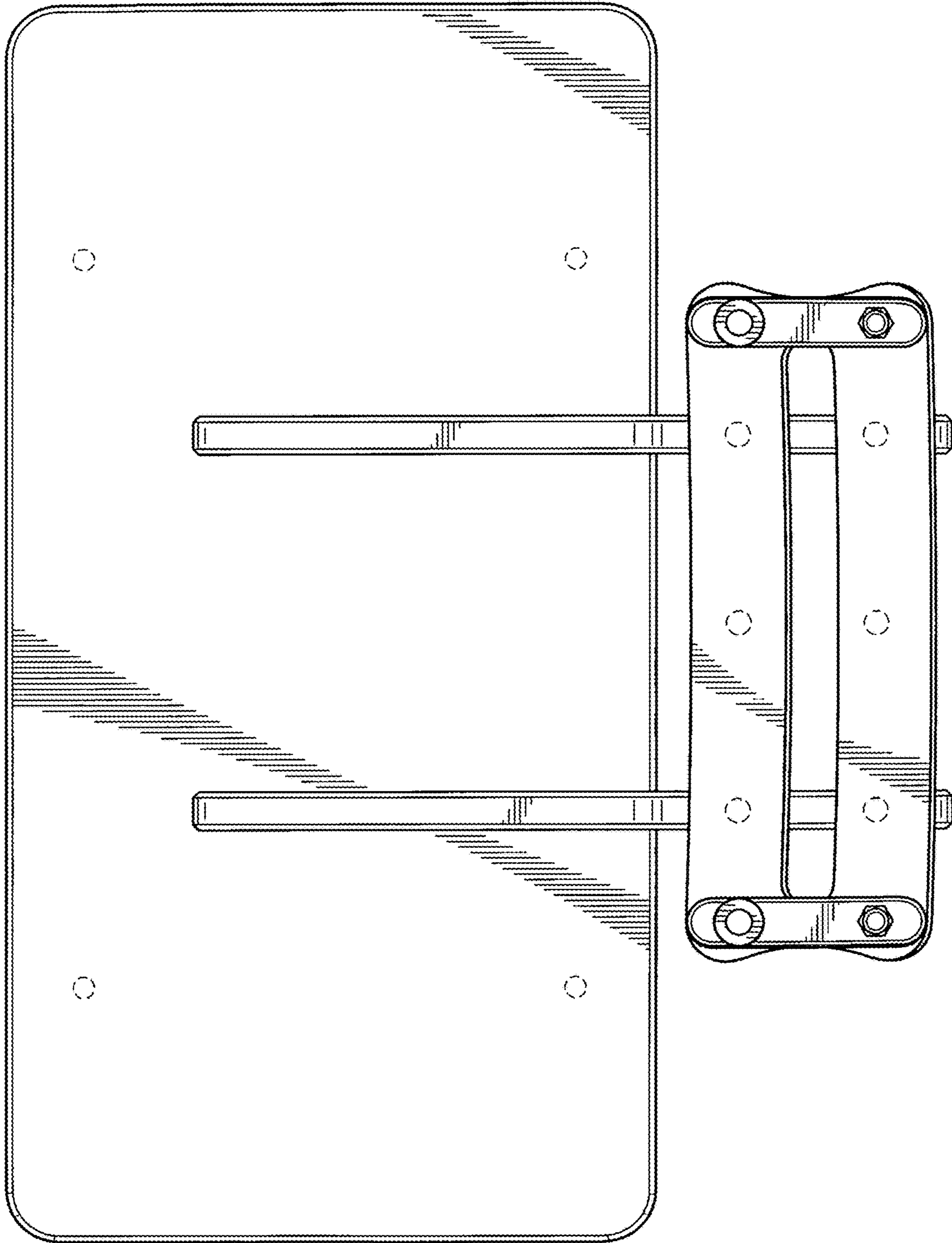


FIG. 11

