



US00D906913S

(12) **United States Design Patent** (10) **Patent No.:** **US D906,913 S**  
**Chang et al.** (45) **Date of Patent:** **\*\* Jan. 5, 2021**

(54) **CAR REARVIEW MIRROR**

(56) **References Cited**

(71) Applicant: **ABILITY OPTO-ELECTRONICS TECHNOLOGY CO. LTD.**, Taichung (TW)

U.S. PATENT DOCUMENTS

(72) Inventors: **Yeong-Ming Chang**, Taichung (TW);  
**Yi-Chi Cheng**, Taichung (TW);  
**Tzu-Hsuan Wei**, Taichung (TW);  
**Chien-Hsun Lai**, Taichung (TW);  
**Yao-Wei Liu**, Taichung (TW)

D351,370 S *	10/1994	Lawlor	.....	D12/187
D391,214 S *	2/1998	Hook	.....	D12/187
D451,456 S *	12/2001	Santo	.....	D12/187
D451,869 S *	12/2001	Knapp	.....	D12/187
D466,456 S *	12/2002	Carter	.....	D12/187
D478,537 S *	8/2003	Ono	.....	D12/187
D556,105 S *	11/2007	Carter	.....	D12/187
D556,106 S *	11/2007	Carter	.....	D12/187
D618,147 S *	6/2010	Bellingham	.....	D12/187
D633,423 S *	3/2011	De Wind	.....	D12/187
D661,234 S *	6/2012	De Wind	.....	D12/187
D729,715 S *	5/2015	Roth	.....	D12/187
D746,195 S *	12/2015	Sloterbeek	.....	D12/187
2012/0038964 A1 *	2/2012	De Wind	.....	B60R 1/04 359/265
2016/0355135 A1 *	12/2016	Koetje	.....	B60R 1/04

(73) Assignee: **Ability Opto-Electronics Technology Co., Ltd.**, Taichung (TW)

(\*\*) Term: **15 Years**

(21) Appl. No.: **29/661,607**

(22) Filed: **Aug. 29, 2018**

(30) **Foreign Application Priority Data**

Aug. 21, 2018 (TW) ..... 107304902

(51) **LOC (13) Cl.** ..... **12-16**

(52) **U.S. Cl.**  
USPC ..... **D12/187**

(58) **Field of Classification Search**  
USPC ..... D12/187, 188, 189; D6/300, 309;  
D26/28  
CPC ..... A45D 42/18; B60R 1/006; B60R 1/008;  
B60R 1/02; B60R 1/025; B60R 1/06;  
B60R 1/0605; B60R 1/074; B60R 1/076;  
B60R 1/078; B60R 1/08; B60R 1/081;  
B60R 1/082; B60R 1/10; B60R 1/04;  
B60R 1/088; B60R 1/12; F21V 33/004;  
G02B 5/08; G02B 7/18; G02B 7/182;  
G02B 7/1824; B60K 35/00

See application file for complete search history.

*Primary Examiner* — Susan E Krakower  
*Assistant Examiner* — Jerry Shiuian-Hua Hsu  
(74) *Attorney, Agent, or Firm* — Wang Law Firm, Inc.

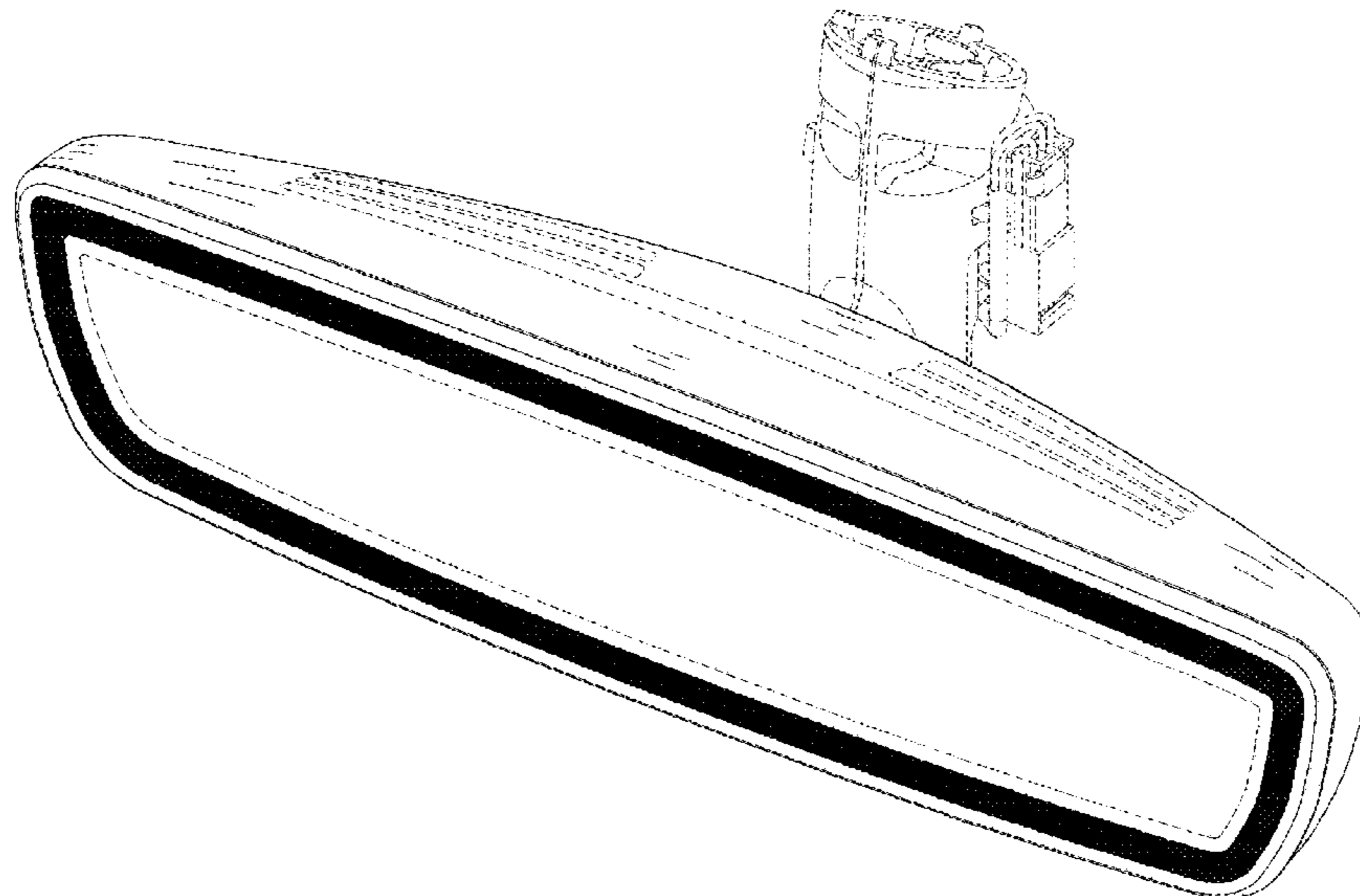
(57) **CLAIM**

The ornamental design for a car rearview mirror, as shown and described.

**DESCRIPTION**

FIG. 1 is a front, top, right side perspective view of the car rearview mirror, showing our new design;  
FIG. 2 is a rear, top, left side perspective view thereof;  
FIG. 3 is a rear, top, right side perspective view thereof;  
FIG. 4 is a front elevational view thereof;  
FIG. 5 is a rear elevational view thereof;  
FIG. 6 is a left side elevational view thereof;  
FIG. 7 is a right side elevational view thereof;  
FIG. 8 is a top plan view thereof;  
FIG. 9 is a bottom plan view thereof; and,  
FIG. 10 is a front view thereof in a state of use.  
The broken lines illustrate portions of the car rearview mirror that form no part of the claimed design.

**1 Claim, 10 Drawing Sheets**



(56)

**References Cited**

U.S. PATENT DOCUMENTS

2018/0056871 A1\* 3/2018 Karner ..... B60R 1/06  
2019/0168672 A1\* 6/2019 De Wind ..... B60R 1/04

\* cited by examiner

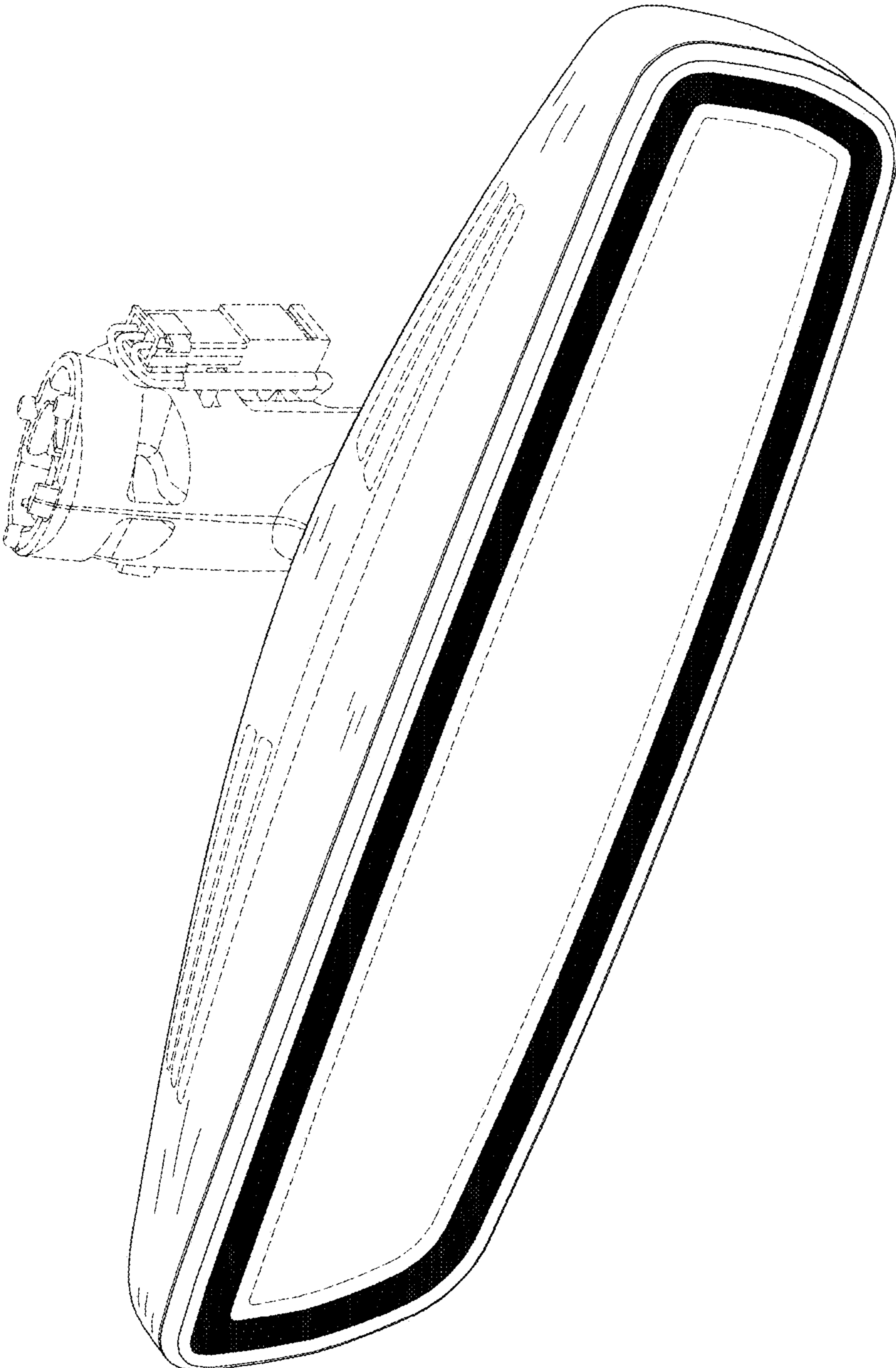


FIG. 1

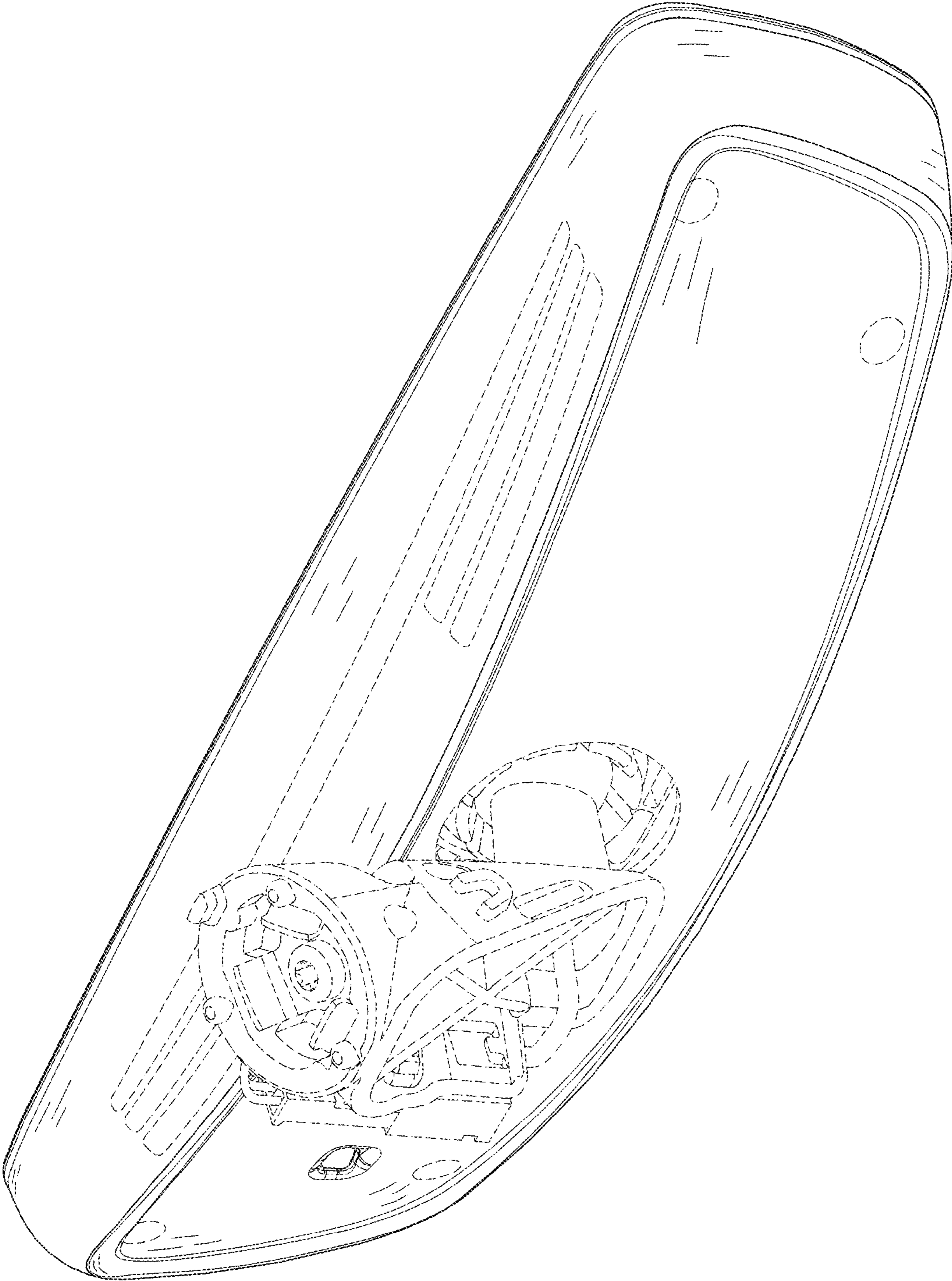


FIG. 2

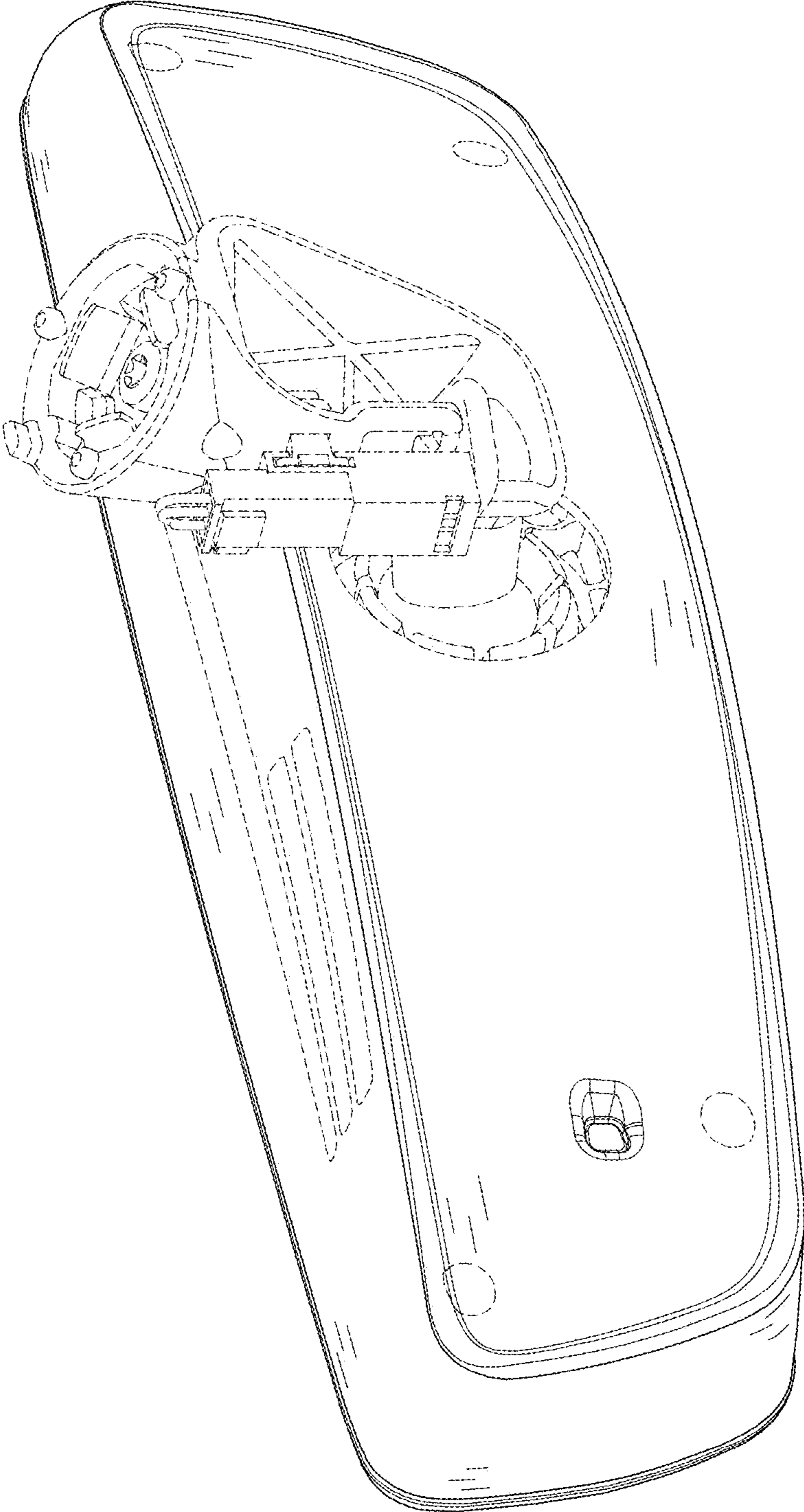


FIG. 3

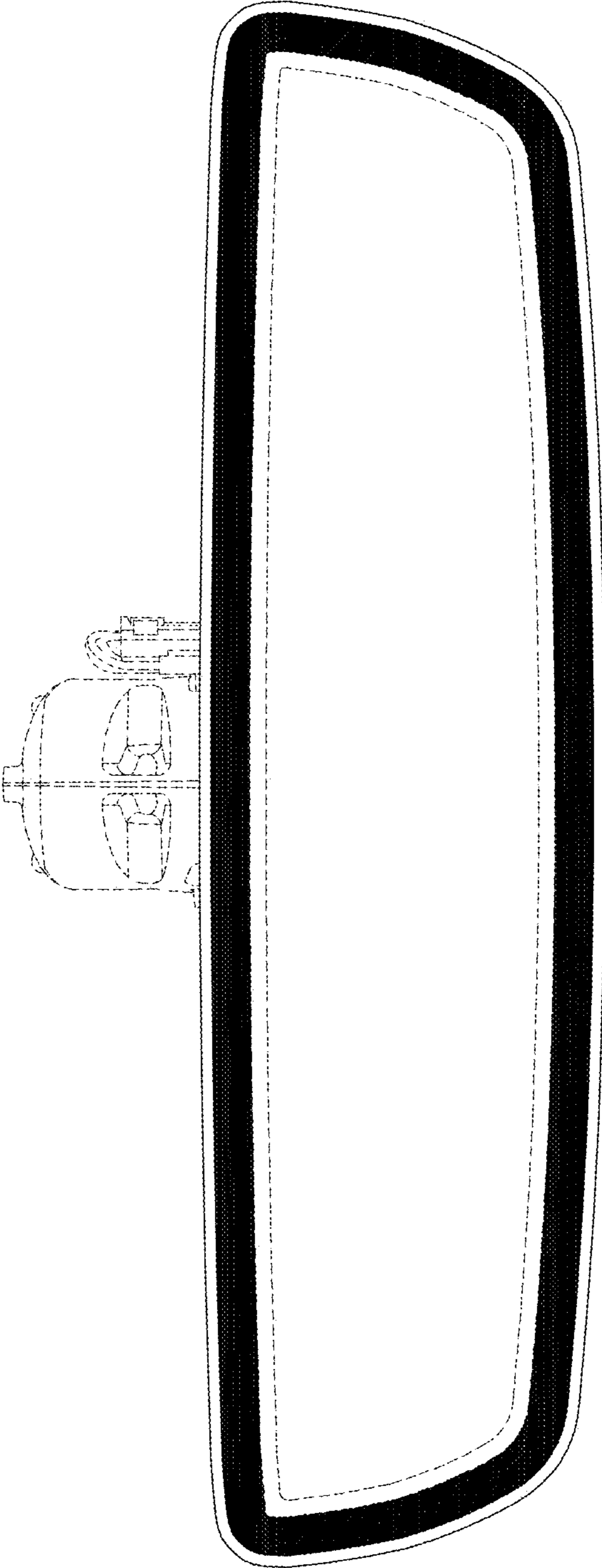


FIG. 4

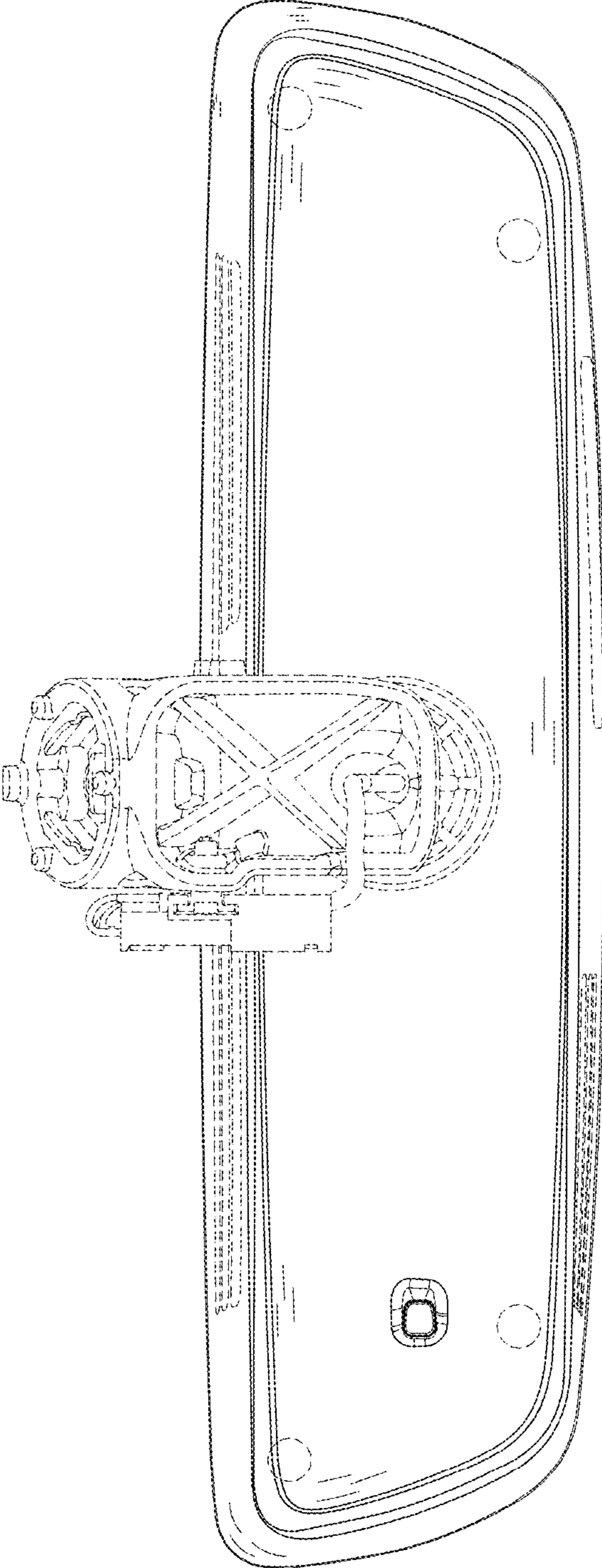


FIG. 5

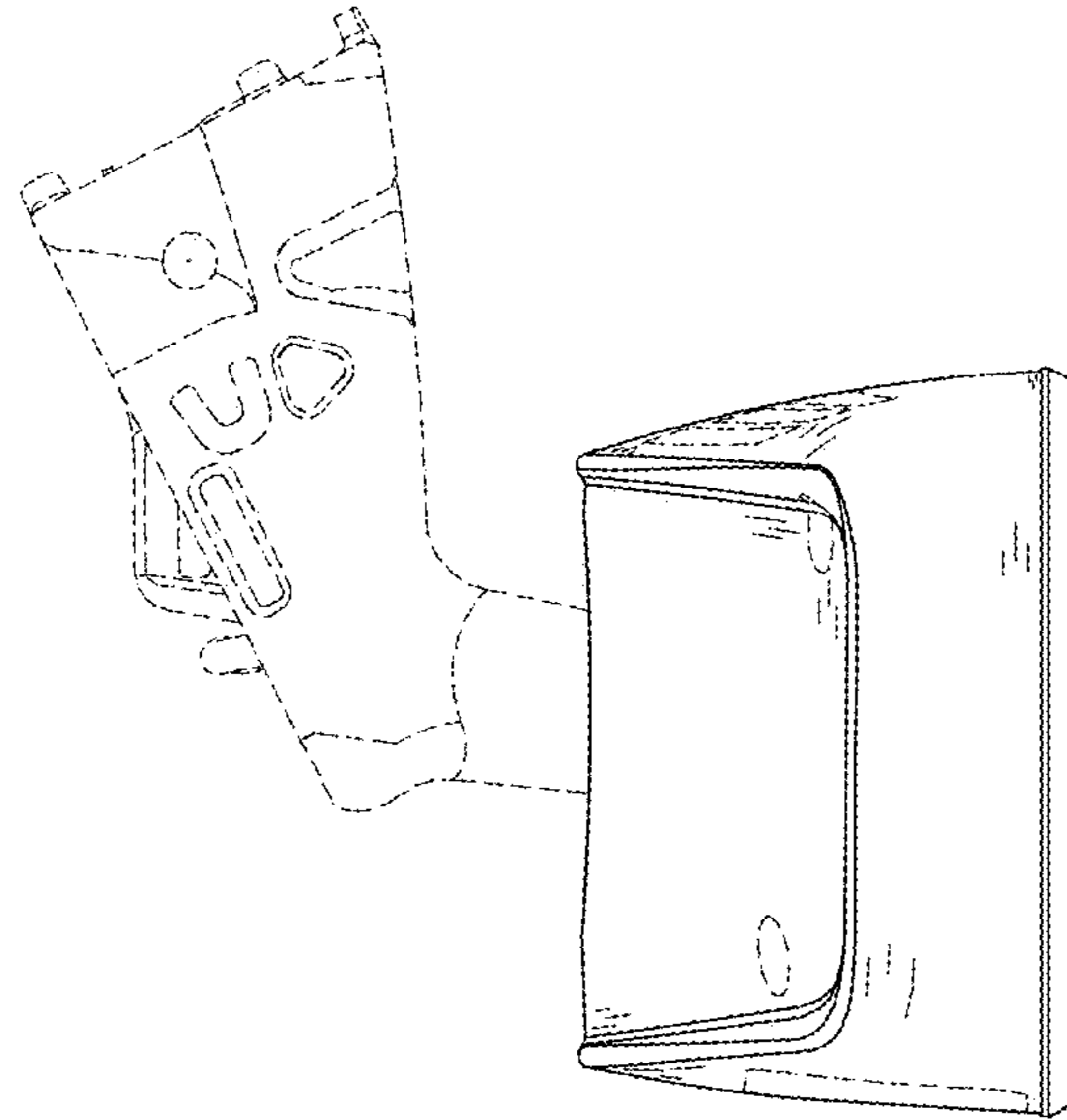


FIG. 6



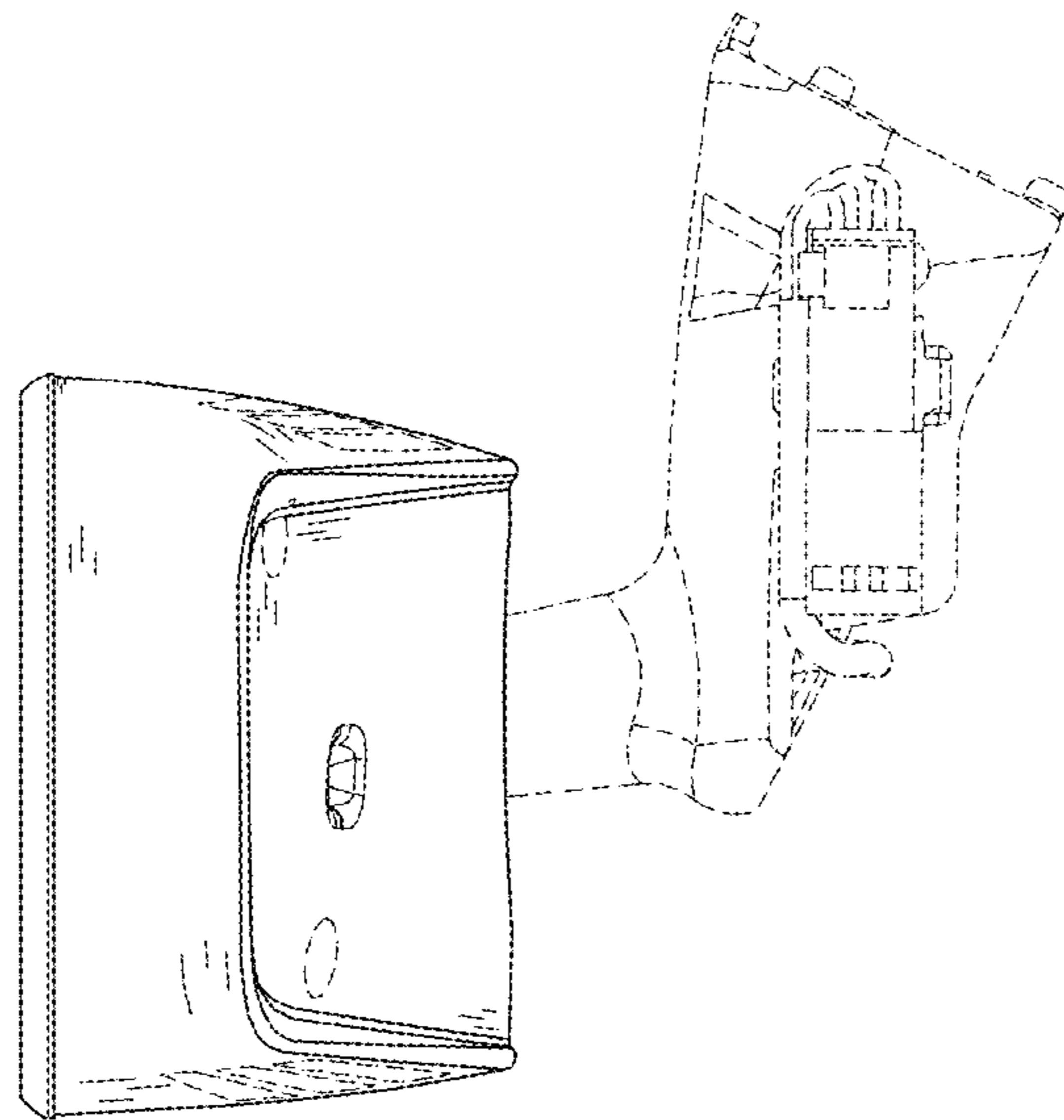


FIG. 7

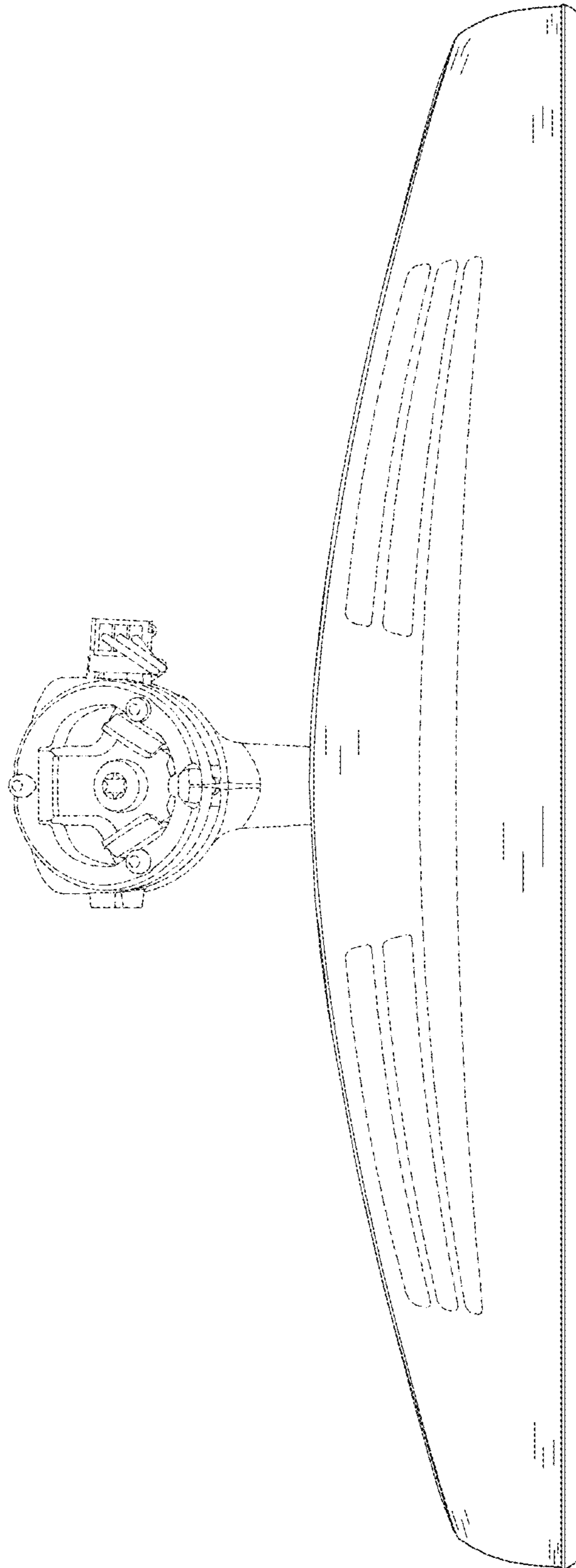


FIG. 8

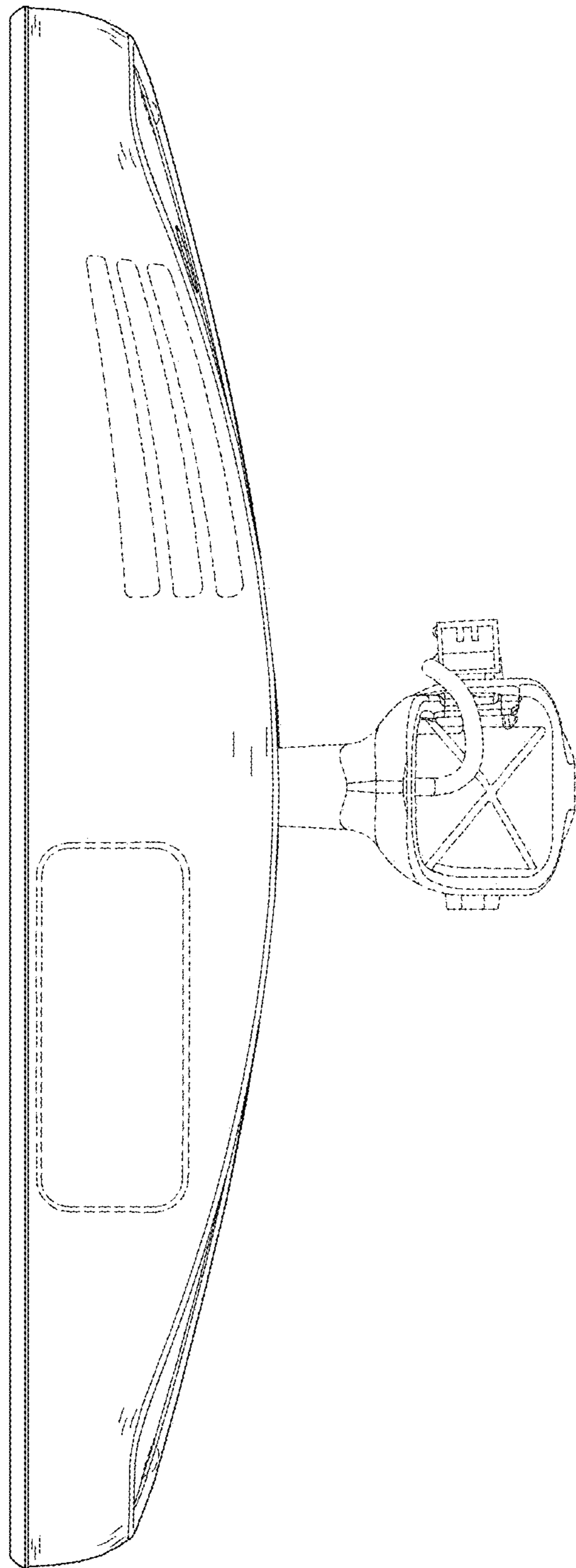


FIG. 9

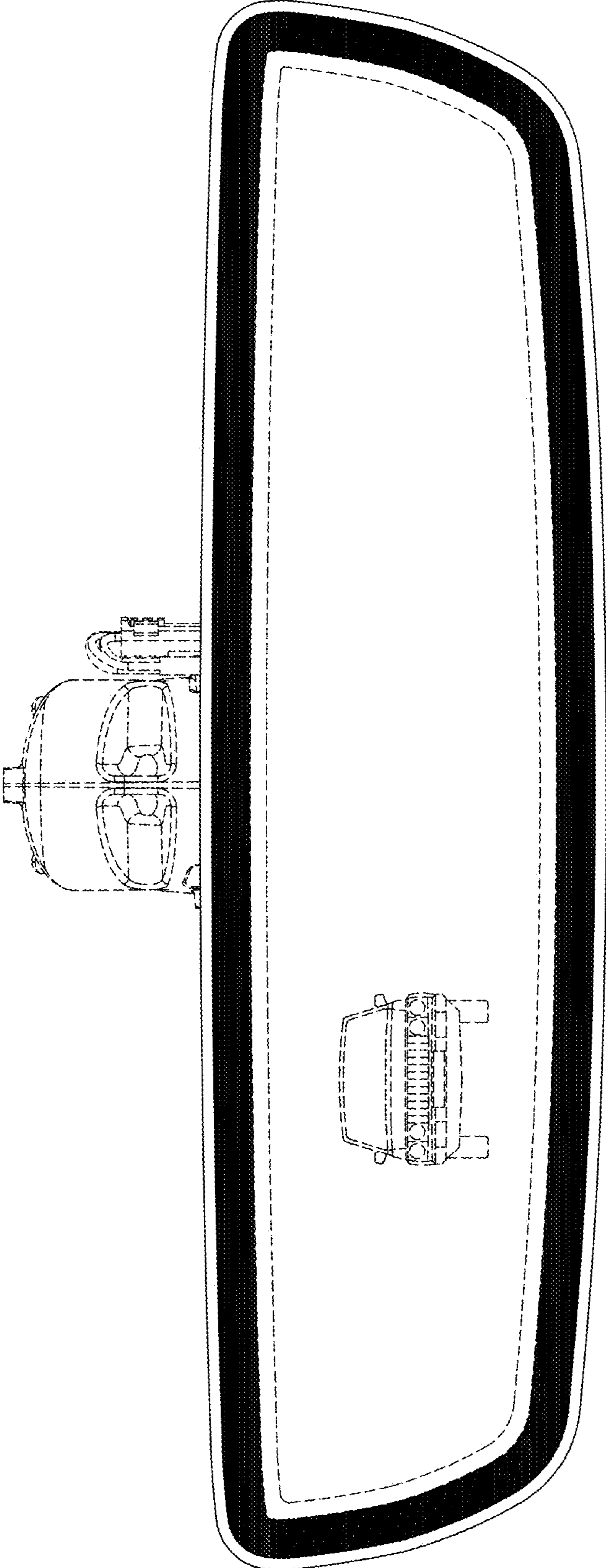


FIG. 10