



US00D906901S

(12) **United States Design Patent**
Cerilli

(10) **Patent No.:** **US D906,901 S**

(45) **Date of Patent:** **** Jan. 5, 2021**

(54) **WALKER APPARATUS**

(71) Applicant: **Darling June, PBC**, Orange, CT (US)

(72) Inventor: **Anna Cerilli**, Orange, CT (US)

(73) Assignee: **Darling June, PBC**, Orange, CT (US)

(**) Term: **15 Years**

(21) Appl. No.: **29/686,087**

(22) Filed: **Apr. 2, 2019**

(51) **LOC (13) Cl.** **12-12**

(52) **U.S. Cl.**
USPC **D12/130**

(58) **Field of Classification Search**
USPC D3/5-9; D12/130
CPC A61H 3/00; A61H 3/04; A61H 2003/043;
A61H 2003/046

See application file for complete search history.

(56) **References Cited**

U.S. PATENT DOCUMENTS

4,907,794	A *	3/1990	Rose	A61H 3/04 135/67
D310,646	S *	9/1990	Rose	D12/128
D312,061	S *	11/1990	Smith	D12/128
D372,890	S *	8/1996	Ferm	D12/130
D375,708	S *	11/1996	Ahlbertz	D12/128
5,605,345	A *	2/1997	Erfurth	A61G 5/08 135/67
5,772,234	A *	6/1998	Luo	A61G 5/00 280/47.38
D519,423	S *	4/2006	Tolfen	D12/130
8,511,694	B2 *	8/2013	Bradshaw	A61H 3/04 135/67
D696,162	S *	12/2013	Skafdrup	D12/130
D703,107	S *	4/2014	Moller	D12/130
8,936,256	B2 *	1/2015	Liu	A61H 3/04 135/67

9,339,432	B2 *	5/2016	Liu	A61H 3/04
9,415,635	B2 *	8/2016	Liu	B60B 33/0015
9,585,807	B2 *	3/2017	Fellingham	A61H 3/04
9,662,264	B2 *	5/2017	Jacobs	A61H 3/04
D789,255	S *	6/2017	Delatorre	D12/130
9,707,148	B1 *	7/2017	McGuire	A61H 3/04
9,744,094	B2 *	8/2017	Liu	A61H 3/04
9,763,849	B2 *	9/2017	Paterson	A61H 3/04
9,770,380	B1 *	9/2017	Dalton	A61H 3/04
D798,777	S *	10/2017	Lin	D12/130
D798,778	S *	10/2017	Lin	D12/130
9,775,767	B1 *	10/2017	Khaligh	A61H 3/04
9,808,394	B1 *	11/2017	Jiang	A61H 3/04
9,833,377	B2 *	12/2017	Smed	A61H 3/04
D814,363	S *	4/2018	VanAusdall	D12/130
D816,556	S *	5/2018	Parr	D12/130
9,968,507	B2 *	5/2018	Rabin	A61H 3/04
10,016,324	B1 *	7/2018	Howard	A61H 3/00

(Continued)

Primary Examiner — Steven J Czyz

(74) *Attorney, Agent, or Firm* — Foley Hoag LLP;
Stephen J. Kenny

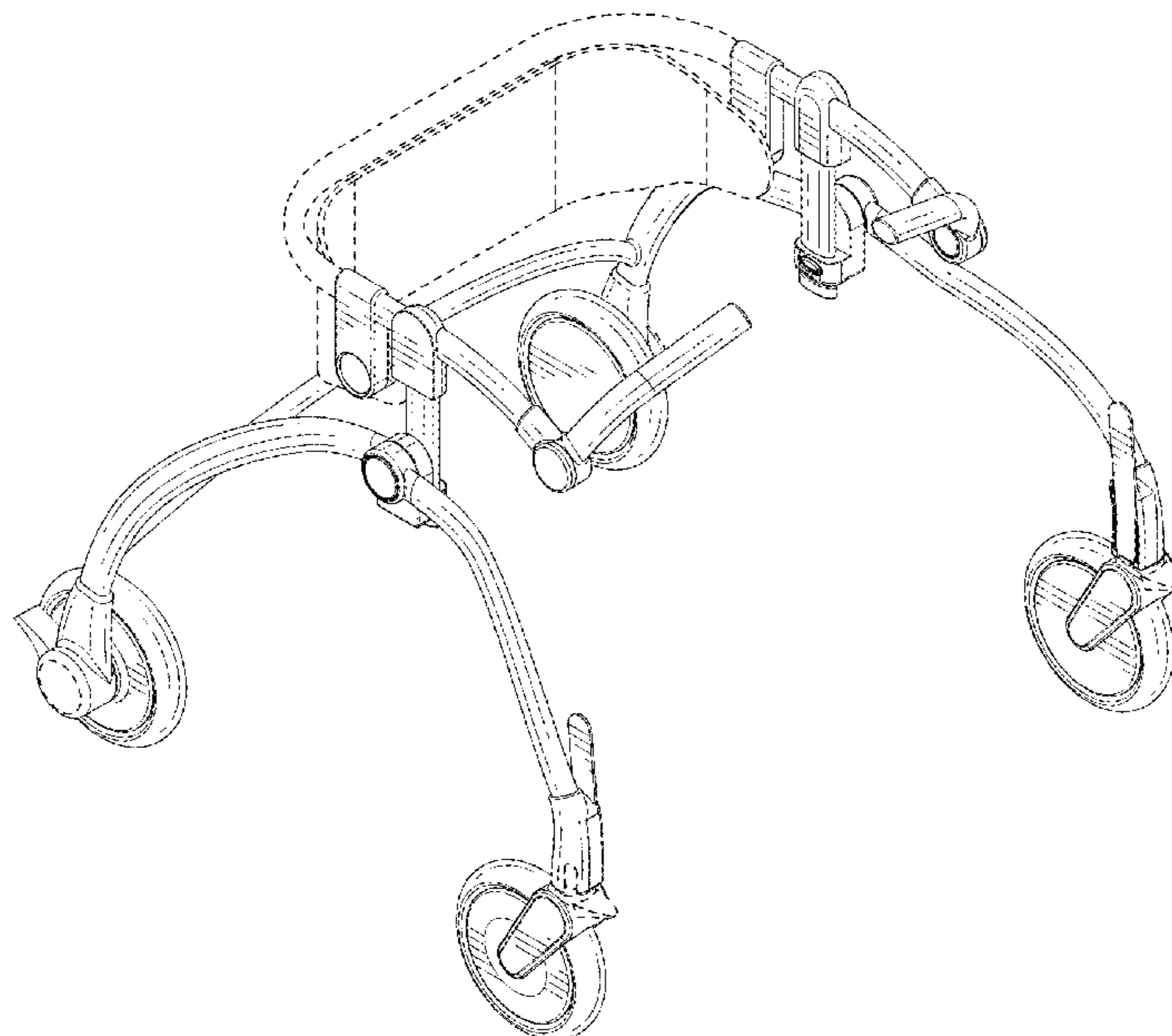
(57) **CLAIM**

The ornamental design for walker apparatus, as shown and described.

DESCRIPTION

FIG. 1 is a front perspective view of the walker apparatus showing my new design.
FIG. 2 is a rear perspective view thereof.
FIG. 3 is a front view thereof.
FIG. 4 is a rear view thereof.
FIG. 5 is a left side view thereof.
FIG. 6 is a right side view thereof.
FIG. 7 is a top view thereof; and,
FIG. 8 is a bottom view thereof.
The broken lines depicted in the drawings depict environmental structure and do not form any part of the claim.

1 Claim, 8 Drawing Sheets



(56)

References Cited

U.S. PATENT DOCUMENTS

10,053,062 B2 * 8/2018 Liu B60T 7/10
10,111,803 B2 * 10/2018 Julian B62B 3/02
D836,499 S * 12/2018 Delatorre D12/130
D836,500 S * 12/2018 Julian D12/133
D837,697 S * 1/2019 Luo D12/130
D840,877 S * 2/2019 Michelena D12/130
10,231,520 B2 * 3/2019 Kudronowicz A47B 91/06
D845,841 S * 4/2019 No-Young D12/130
10,292,891 B2 * 5/2019 Zheng A61H 1/0262
D851,543 S * 6/2019 Janeczek D12/130
10,307,321 B2 * 6/2019 Pan A61G 5/08
D857,561 S * 8/2019 Berman D12/130
10,391,018 B1 * 8/2019 Fitzwater A61H 3/04
D858,366 S * 9/2019 VanAusdall D12/130
10,406,061 B1 * 9/2019 January H02J 7/04
D861,544 S * 10/2019 January D12/130
D865,575 S * 11/2019 Lin D12/130
10,470,963 B1 * 11/2019 Donahoe F16B 7/0426
D869,347 S * 12/2019 Huang D12/130
10,500,121 B2 * 12/2019 Triolo A61H 3/00
10,543,144 B2 * 1/2020 Johnson A61H 3/04
D874,351 S * 2/2020 Fellingham D12/130
10,555,866 B2 * 2/2020 Pan A61H 3/04
10,583,065 B1 * 3/2020 Mejia A61H 3/04
10,583,066 B1 * 3/2020 Abroms B25G 1/04
10,617,592 B2 * 4/2020 Fellingham A61H 3/04
D883,861 S * 5/2020 Mejia D12/130

* cited by examiner

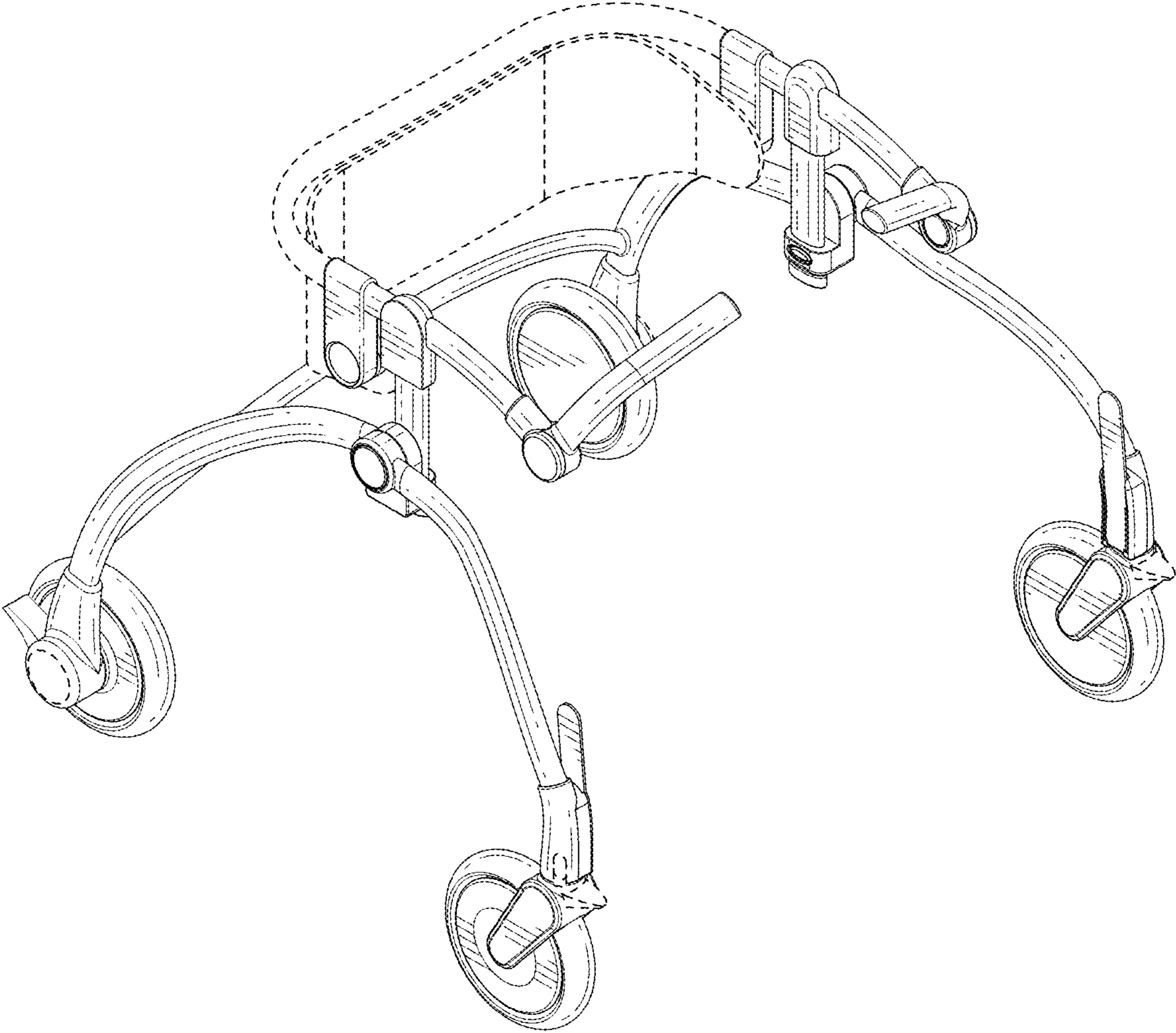


FIG. 1

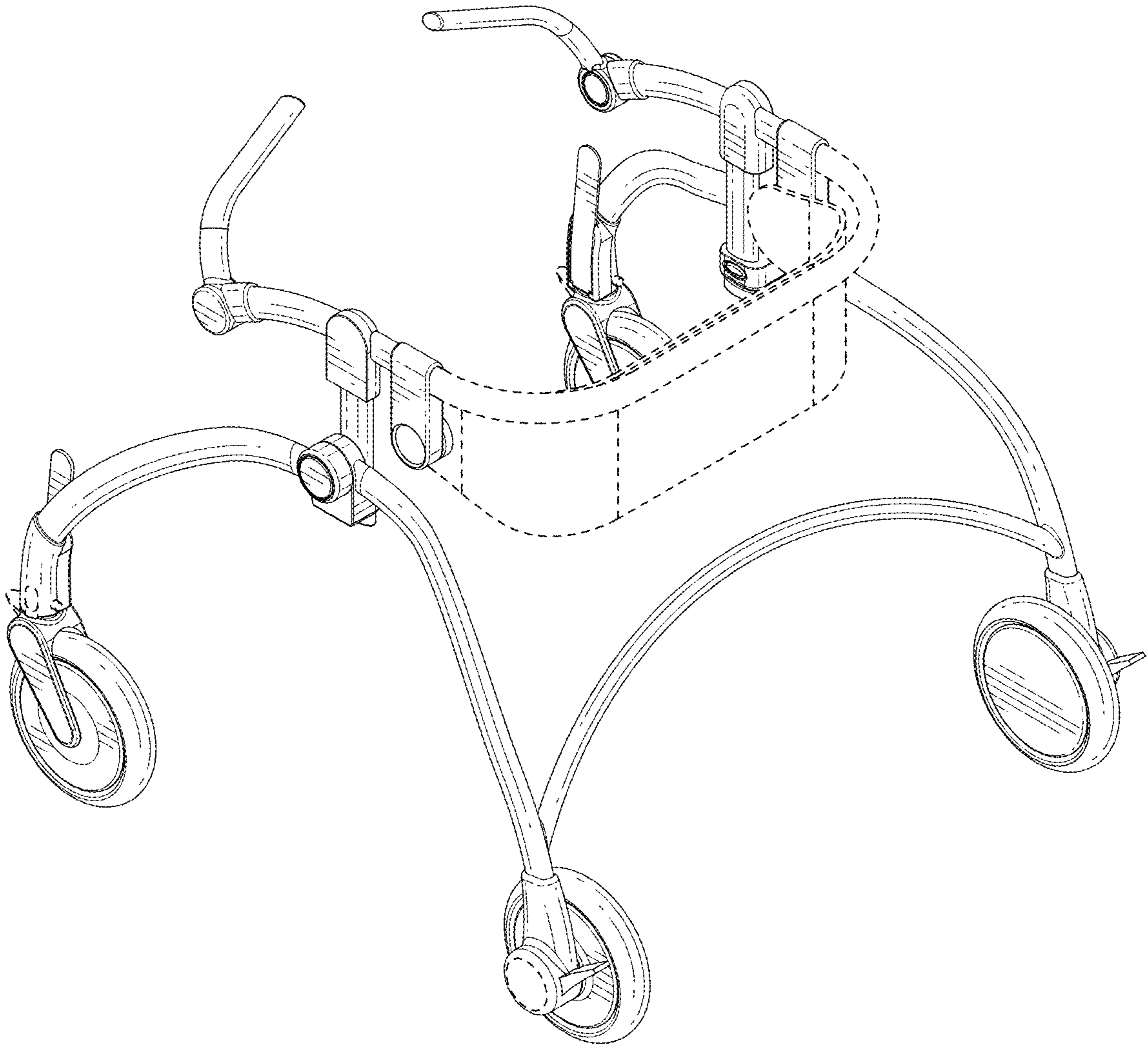


FIG. 2

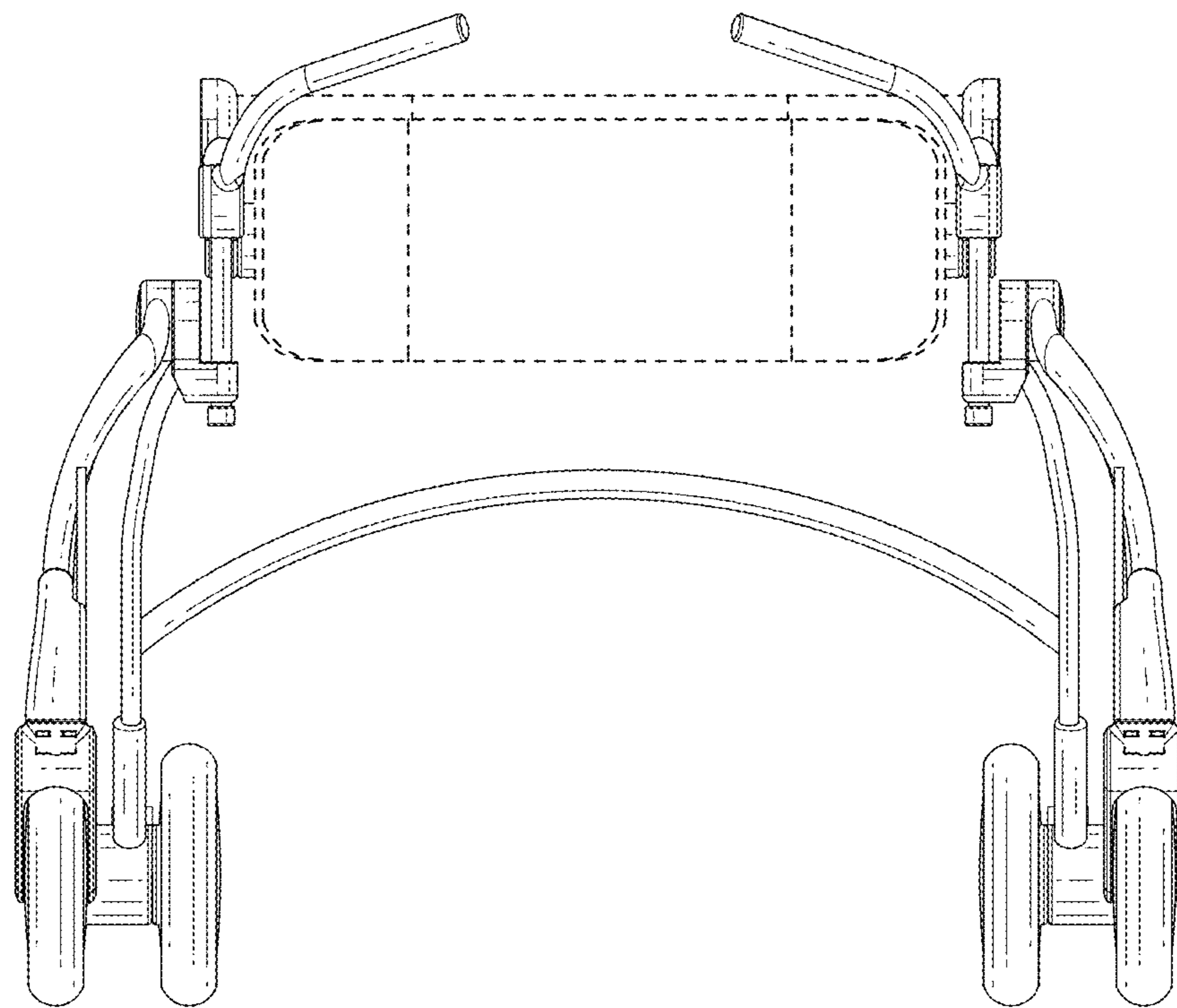


FIG. 3

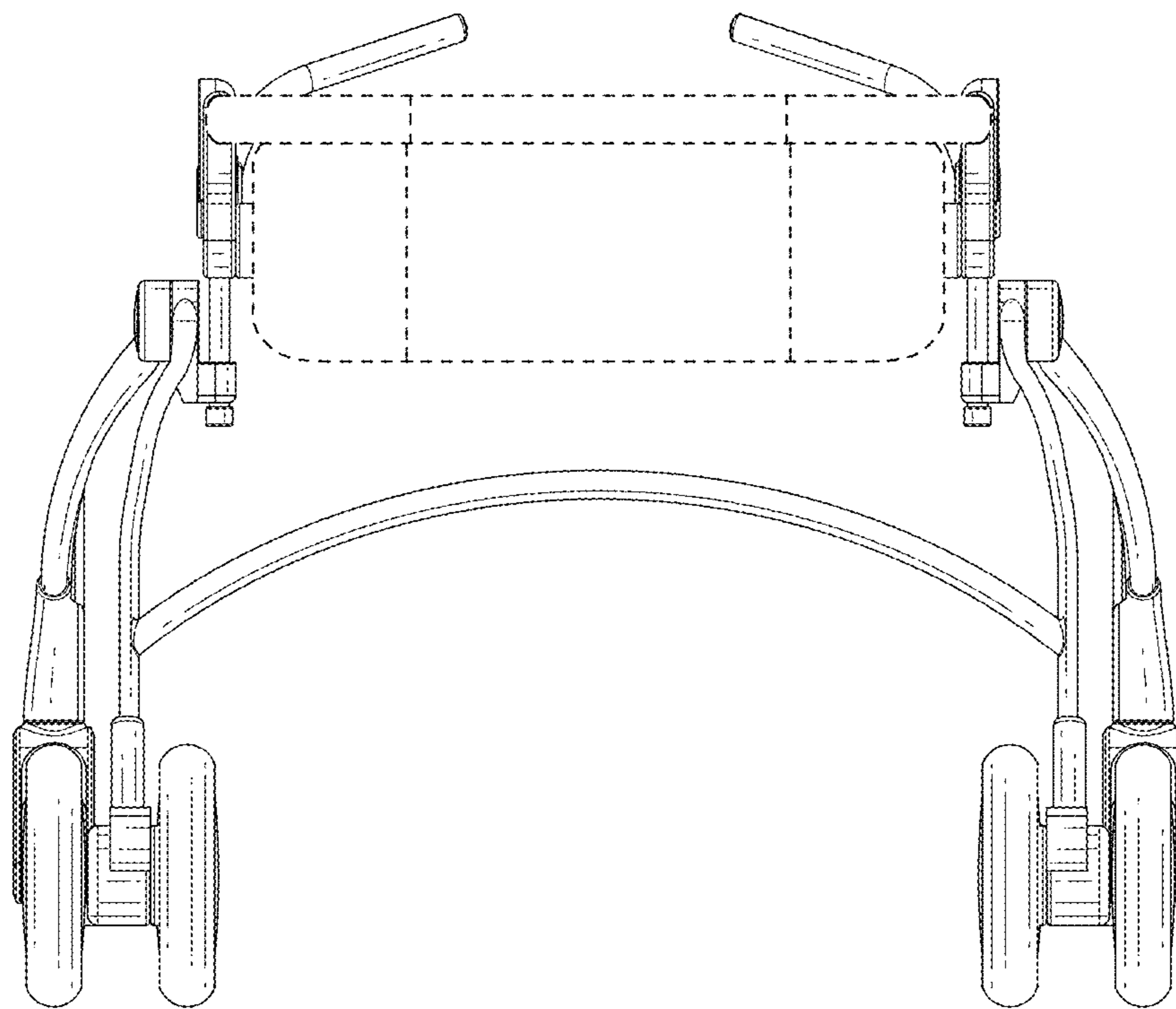


FIG.4

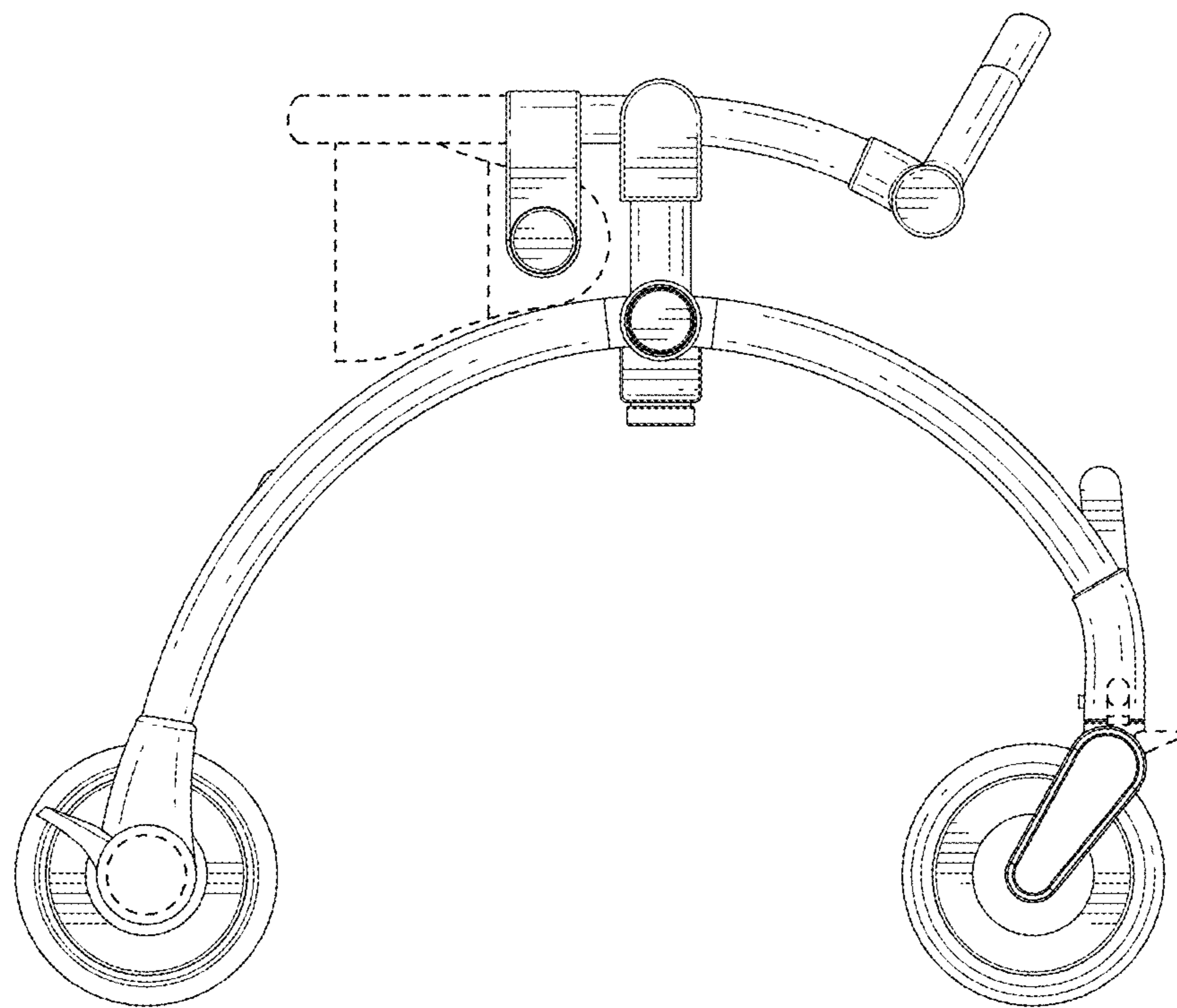


FIG. 5

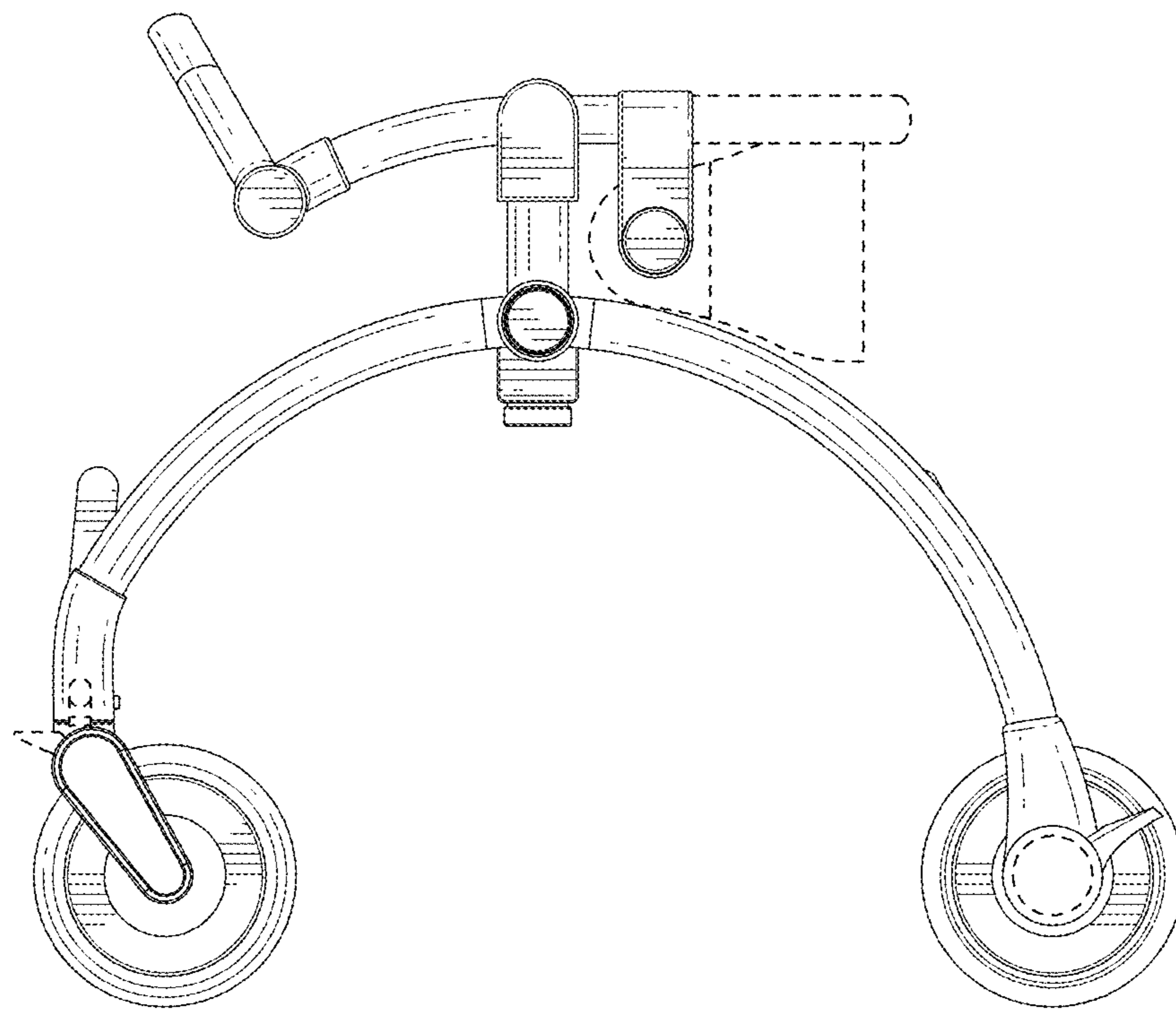


FIG.6

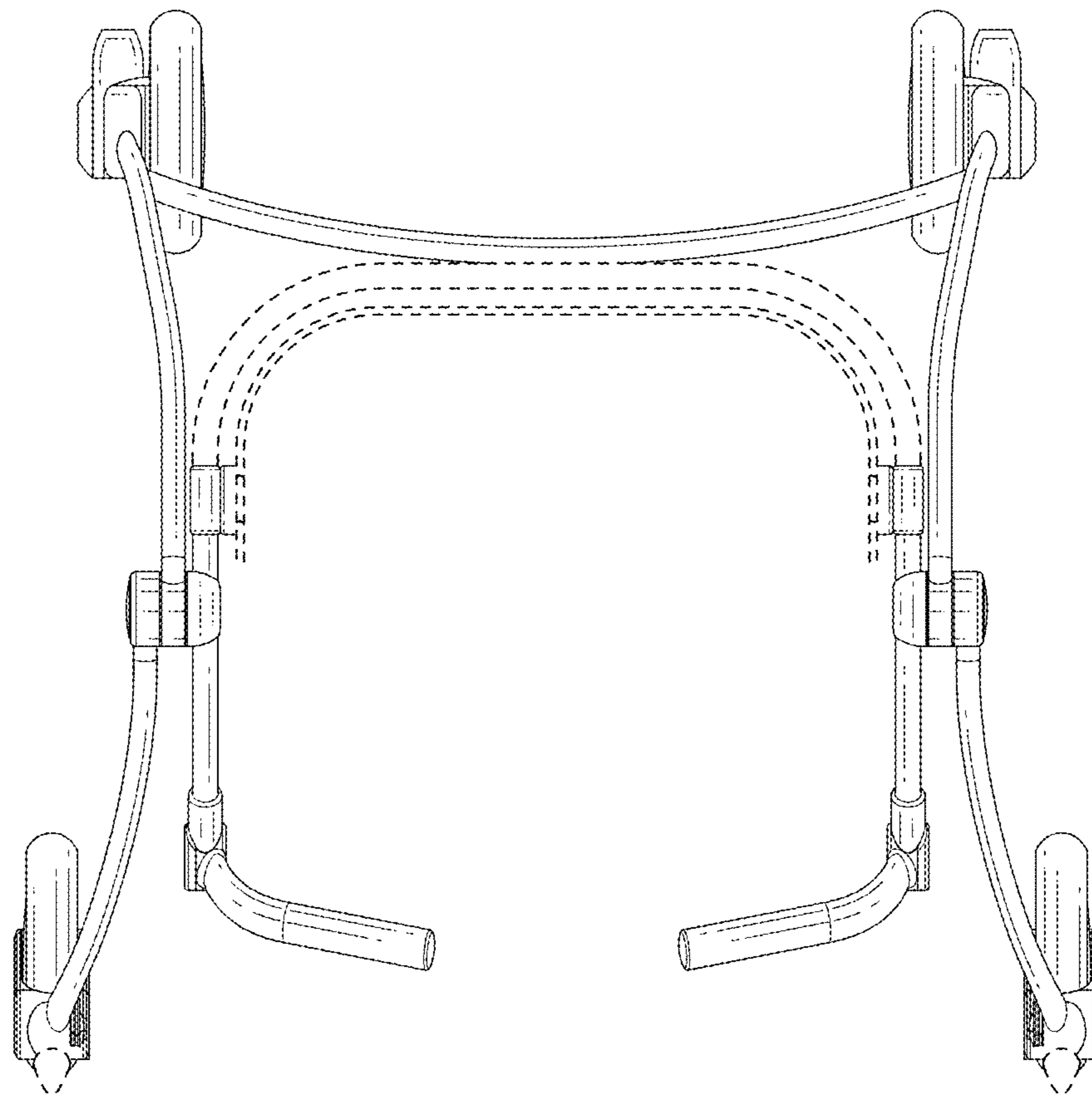


FIG. 7

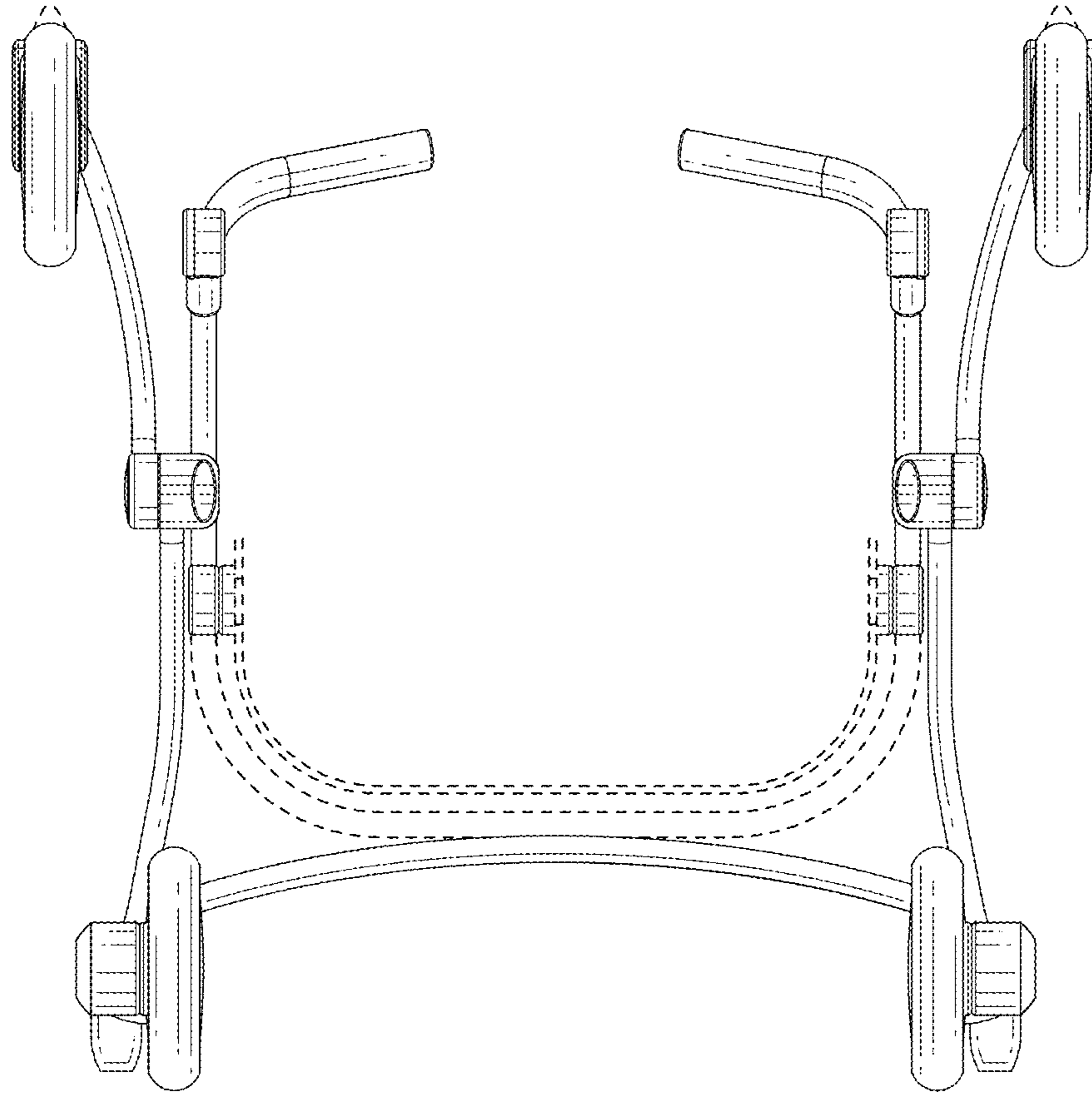


FIG. 8