



US00D906900S

(12) **United States Design Patent** (10) **Patent No.:** **US D906,900 S**  
**Walker et al.** (45) **Date of Patent:** **\*\* Jan. 5, 2021**

(54) **PUSHCHAIR** D601,467 S \* 10/2009 Karremans ..... D12/129  
D643,343 S \* 8/2011 Song ..... D12/129  
(71) Applicant: **ICANDY WORLD LIMITED,** D643,786 S \* 8/2011 Barenbrug ..... D12/129  
Biggleswade (GB) D671,040 S \* 11/2012 Lin ..... D12/129  
D693,743 S \* 11/2013 Slotteroy ..... D12/129  
(72) Inventors: **Paul Walker,** Biggleswade (GB); D699,159 S \* 2/2014 Slotteroy ..... D12/129  
**Warren Appel,** Biggleswade (GB); D733,617 S \* 7/2015 Angelfoss ..... D12/129  
**Stuart Cole,** Biggleswade (GB); D737,733 S \* 9/2015 Zhong ..... D12/129  
**Joshua Baker,** Biggleswade (GB) D747,669 S \* 1/2016 Cheng ..... D12/129  
9,308,929 B1 \* 4/2016 Dowd ..... B62B 7/062  
2015/0375766 A1 \* 12/2015 Taylor ..... B62B 7/142  
280/647  
(73) Assignee: **iCandy World Limited,** Biggleswade (GB)

(\*\*) Term: **15 Years**

(21) Appl. No.: **35/504,369**

(22) Filed: **Sep. 12, 2017**

(80) **Hague Agreement Data**

Int. Filing Date: **Sep. 12, 2017**

Int. Reg. No.: **DM/099348**

Int. Reg. Date: **Sep. 12, 2017**

Int. Reg. Pub. Date: **Feb. 2, 2018**

(51) **LOC (13) Cl.** ..... **12-12**

(52) **U.S. Cl.**  
USPC ..... **D12/129**

(58) **Field of Classification Search**  
USPC ..... D12/128-130  
CPC .... B62B 7/00; B62B 7/04; B62B 7/06; B62B 7/062; B62B 9/00; B62B 9/02; B62B 9/04; B62B 9/08; B62B 9/10; B62B 9/12; B62B 9/14; B62B 9/16; B62B 9/18; B62B 9/20; B62B 9/22; B62B 9/24; B62B 9/26  
See application file for complete search history.

(56) **References Cited**

**U.S. PATENT DOCUMENTS**

D566,013 S \* 4/2008 Wang ..... D12/129  
D572,175 S \* 7/2008 Lai ..... D12/129

**OTHER PUBLICATIONS**

Icandy Pledge Donation to Great Ormond Street Hospital, www.icandyworld.com/iclife/Author/Nick\_kemp/, Jun. 15, 2016.

\* cited by examiner

*Primary Examiner* — Darlington Ly

(74) *Attorney, Agent, or Firm* — The Noblitt Group, PLLC

(57) **CLAIM**

The ornamental design for a pushchair, as shown and described.

**DESCRIPTION**

5. Pushchairs

**5.1:** is a perspective view of a pushchair showing our new design;

**5.2:** is a left side elevation view thereof;

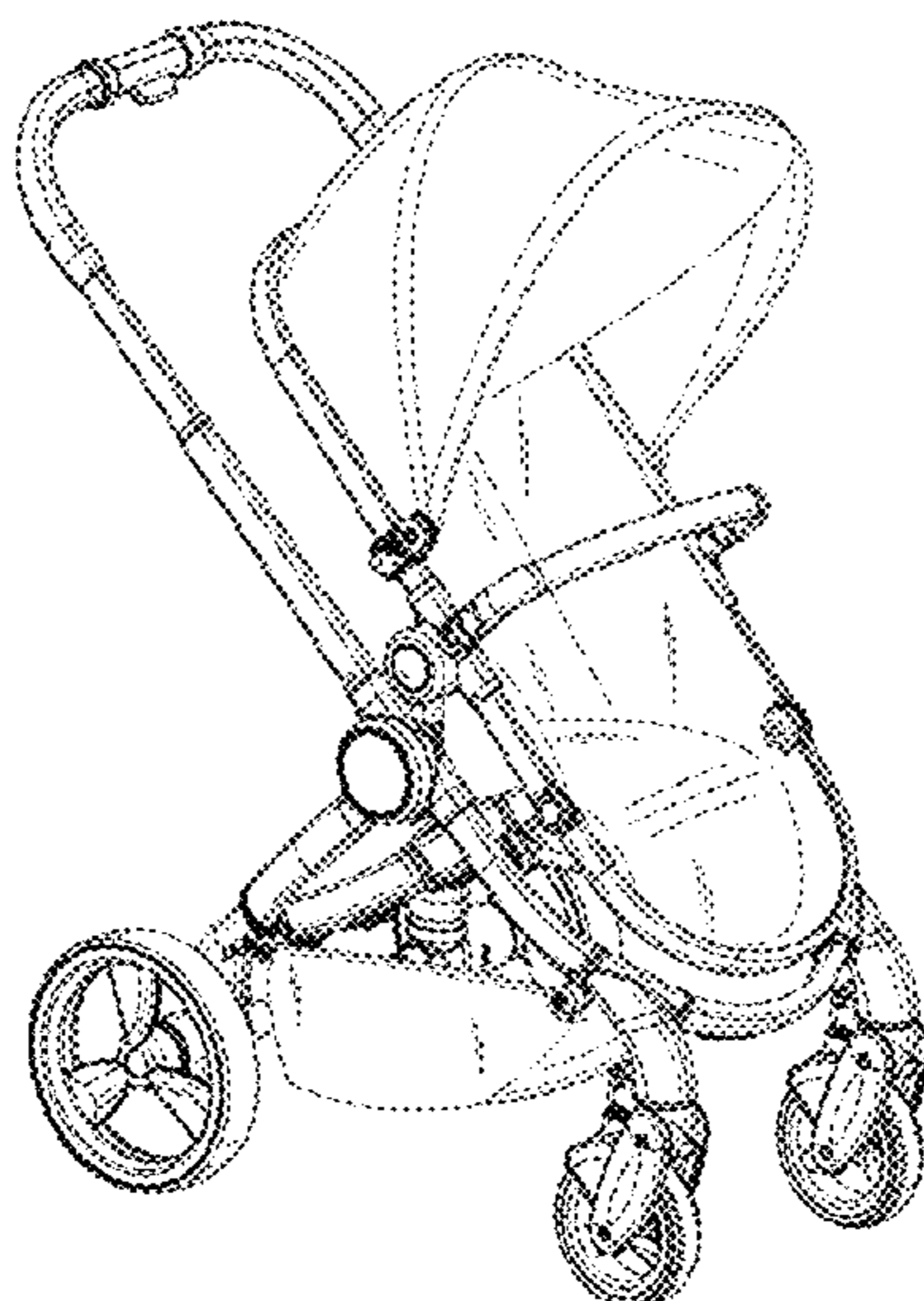
**5.3:** is a right side elevation view thereof;

**5.4:** is a front elevation view thereof;

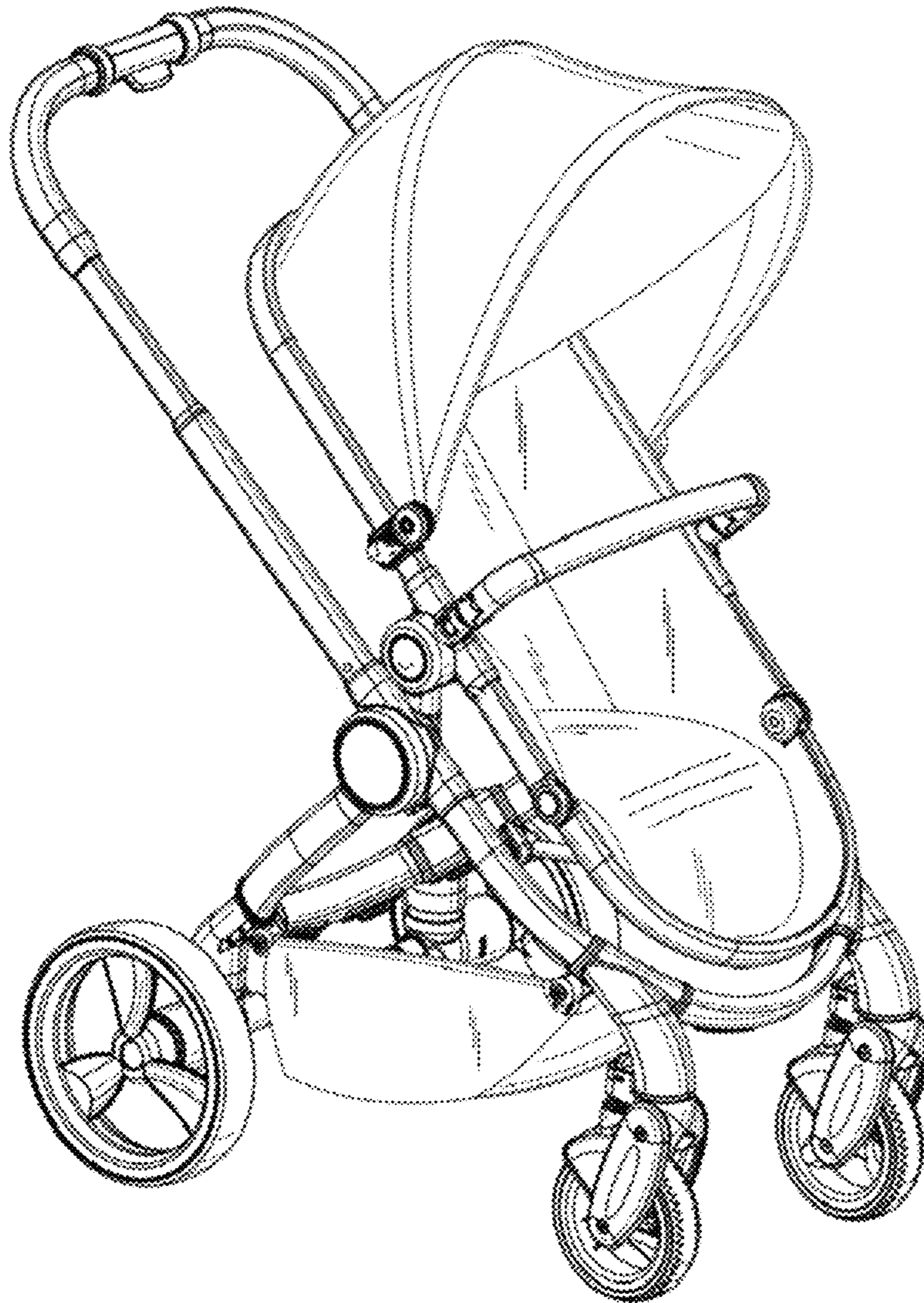
**5.5:** is a rear elevation view thereof; and

**5.6:** is a top plan view thereof.

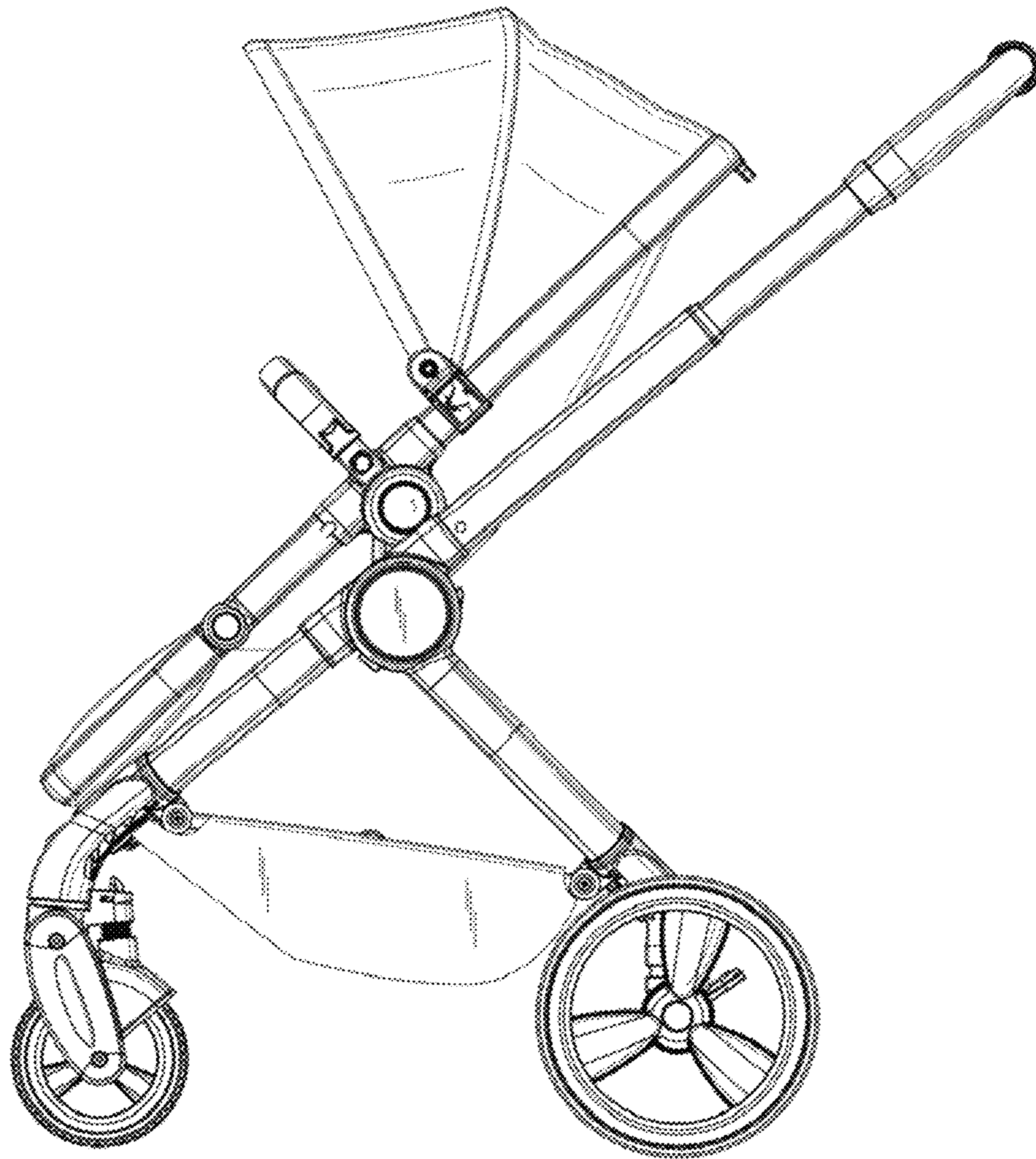
**1 Claim, 6 Drawing Sheets**



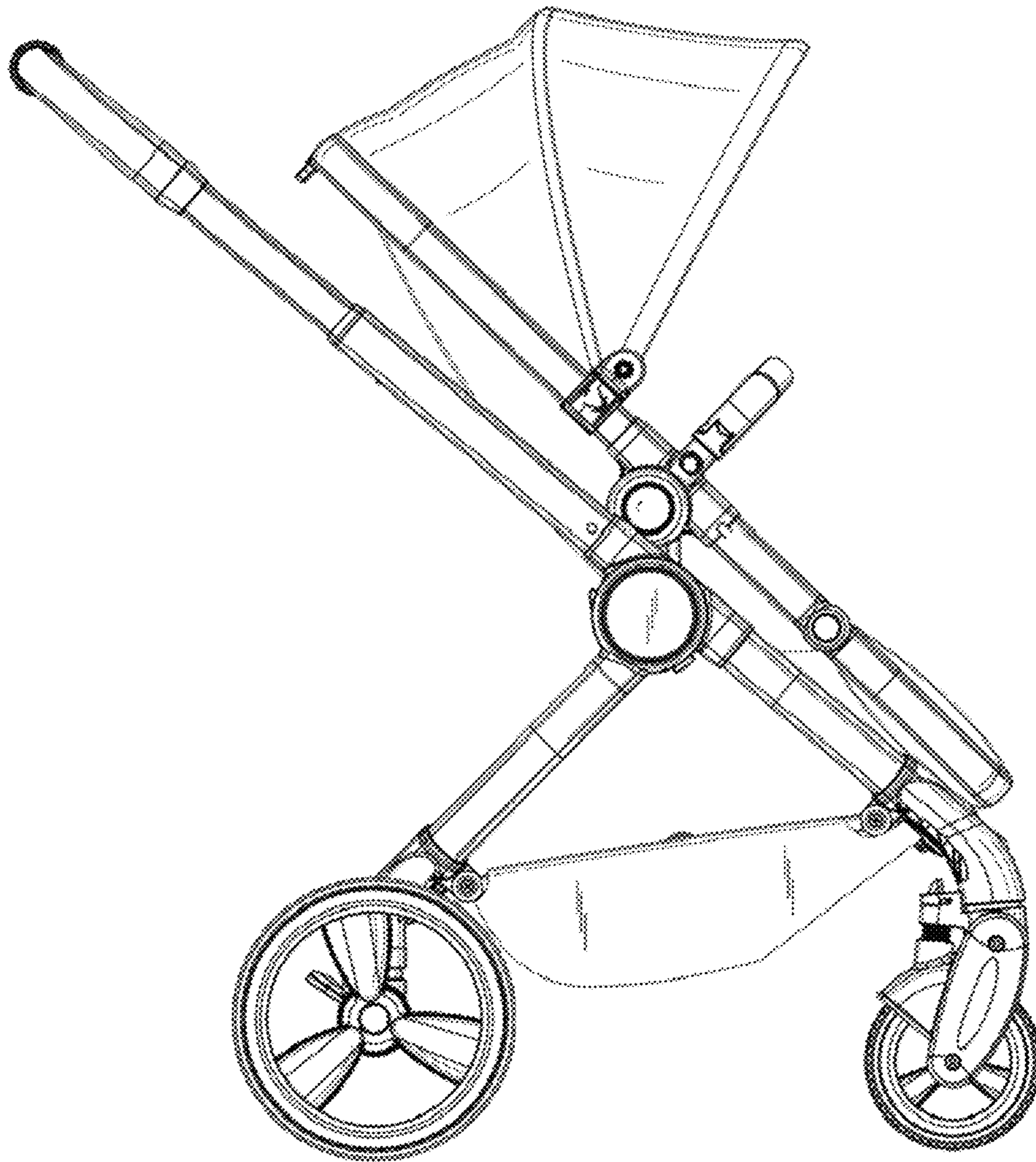
5.1



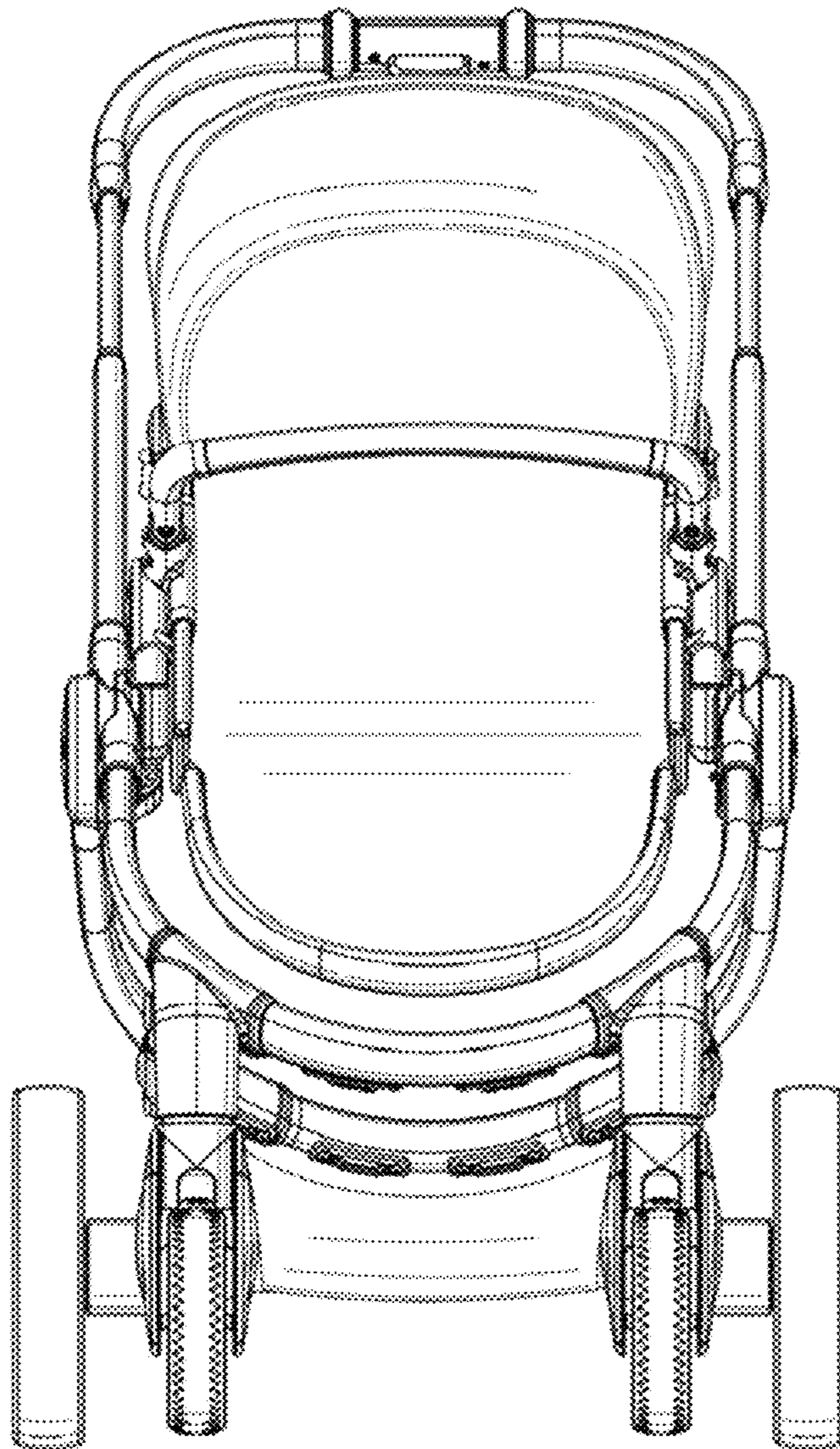
5.2



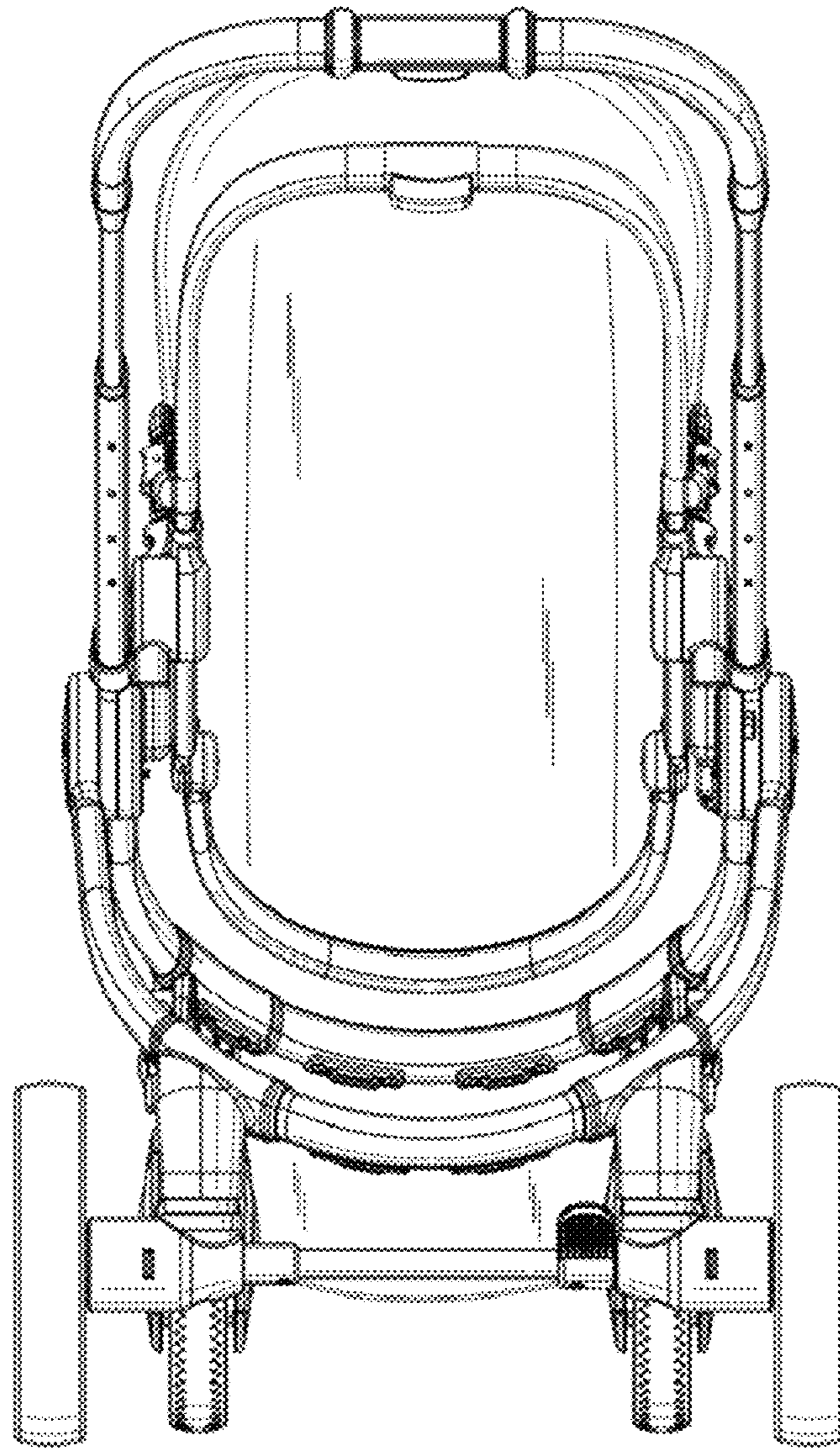
5.3



5.4



5.5



5.6

