



US00D906899S

(12) **United States Design Patent** (10) **Patent No.:** **US D906,899 S**
Keller (45) **Date of Patent:** **** Jan. 5, 2021**

(54) **MOTORCYCLE MIRROR**
(71) Applicant: **motogadget GmbH**, Berlin (DE)
(72) Inventor: **Garrit Keller**, Berlin (DE)
(73) Assignee: **MOTOGADGET GMBH**, Berlin (DE)
(**) Term: **15 Years**
(21) Appl. No.: **29/707,021**

(22) Filed: **Sep. 25, 2019**

(30) **Foreign Application Priority Data**

Mar. 26, 2019 (EM) 006 336 160

(51) **LOC (13) Cl.** **12-11**

(52) **U.S. Cl.**
USPC **D12/114; D12/187**

(58) **Field of Classification Search**
USPC D12/114, 187-189; D6/300-303
CPC B60R 1/066; B60R 1/006; B60R 1/02;
B60R 1/12; B62J 2099/0033; B62J 29/00
See application file for complete search history.

(56) **References Cited**

U.S. PATENT DOCUMENTS

D285,674 S *	9/1986	Vitaloni	D12/187
D310,505 S *	9/1990	Unno	D12/187
D316,997 S *	5/1991	Soederberg	D12/187
D346,783 S *	5/1994	Brainard	D12/187
D365,073 S *	12/1995	Nagano	D12/114
D386,472 S *	11/1997	Eisenbraun	D12/187
D391,213 S *	2/1998	Huang	D12/187
D519,071 S *	4/2006	Moruzzi	D12/187
D579,838 S *	11/2008	Habib	D12/187
D609,151 S *	2/2010	Kouchi	D12/187
D612,310 S *	3/2010	Guntrum	D12/187
D612,311 S *	3/2010	Weil	D12/187
D626,047 S *	10/2010	Owyang	D12/187

D636,311 S *	4/2011	Faghihzadeh	D12/187
D653,595 S *	2/2012	Matsubara	D12/187
D654,414 S *	2/2012	Elmitt	D12/187
D691,076 S *	10/2013	Vincent	D12/187
D702,167 S *	4/2014	Hakamata	D12/187
D723,439 S *	3/2015	Milbank	D12/187
D724,507 S *	3/2015	Shibuta	D12/187
D751,477 S *	3/2016	Ting	D12/187
D759,557 S *	6/2016	Suesse	D12/187
D763,755 S *	8/2016	Su	D12/187
D808,315 S *	1/2018	Danze	D12/187

(Continued)

Primary Examiner — Michelle E. Wilson

Assistant Examiner — Clese Moore, Jr.

(74) *Attorney, Agent, or Firm* — Ware, Fressola, Maguire & Barber LLP

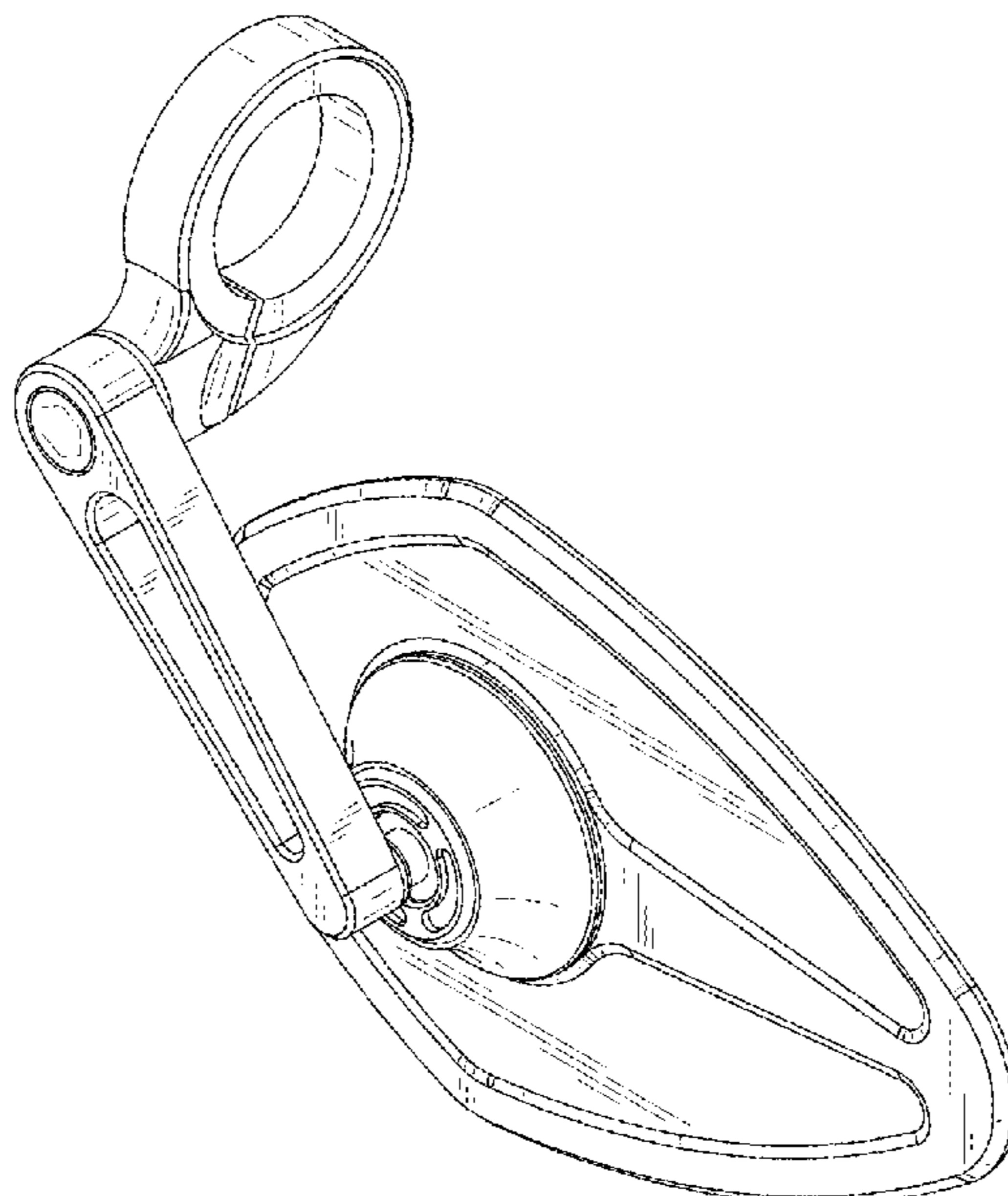
(57) **CLAIM**

I claim the ornamental design of the motorcycle mirror, as shown and described herein.

DESCRIPTION

FIG. 1 shows a back perspective view of a motorcycle mirror, according to the present invention;
FIG. 2 shows a front perspective view of a motorcycle mirror shown in FIG. 1, according to the present invention;
FIG. 3 shows a back view of the motorcycle mirror shown in FIG. 1;
FIG. 4 shows a front view of the motorcycle mirror shown in FIG. 2;
FIG. 5 shows a right side view of the motorcycle mirror shown in FIG. 3;
FIG. 6 shows a left side view of the motorcycle mirror shown in FIG. 3;
FIG. 7 shows a top view of the motorcycle mirror shown in FIG. 3; and,
FIG. 8 shows a bottom view of the motorcycle mirror shown in FIG. 3.

1 Claim, 3 Drawing Sheets



(56)

References Cited

U.S. PATENT DOCUMENTS

D832,167 S * 10/2018 Loeb D12/187
D839,789 S * 2/2019 Keller D12/114

* cited by examiner

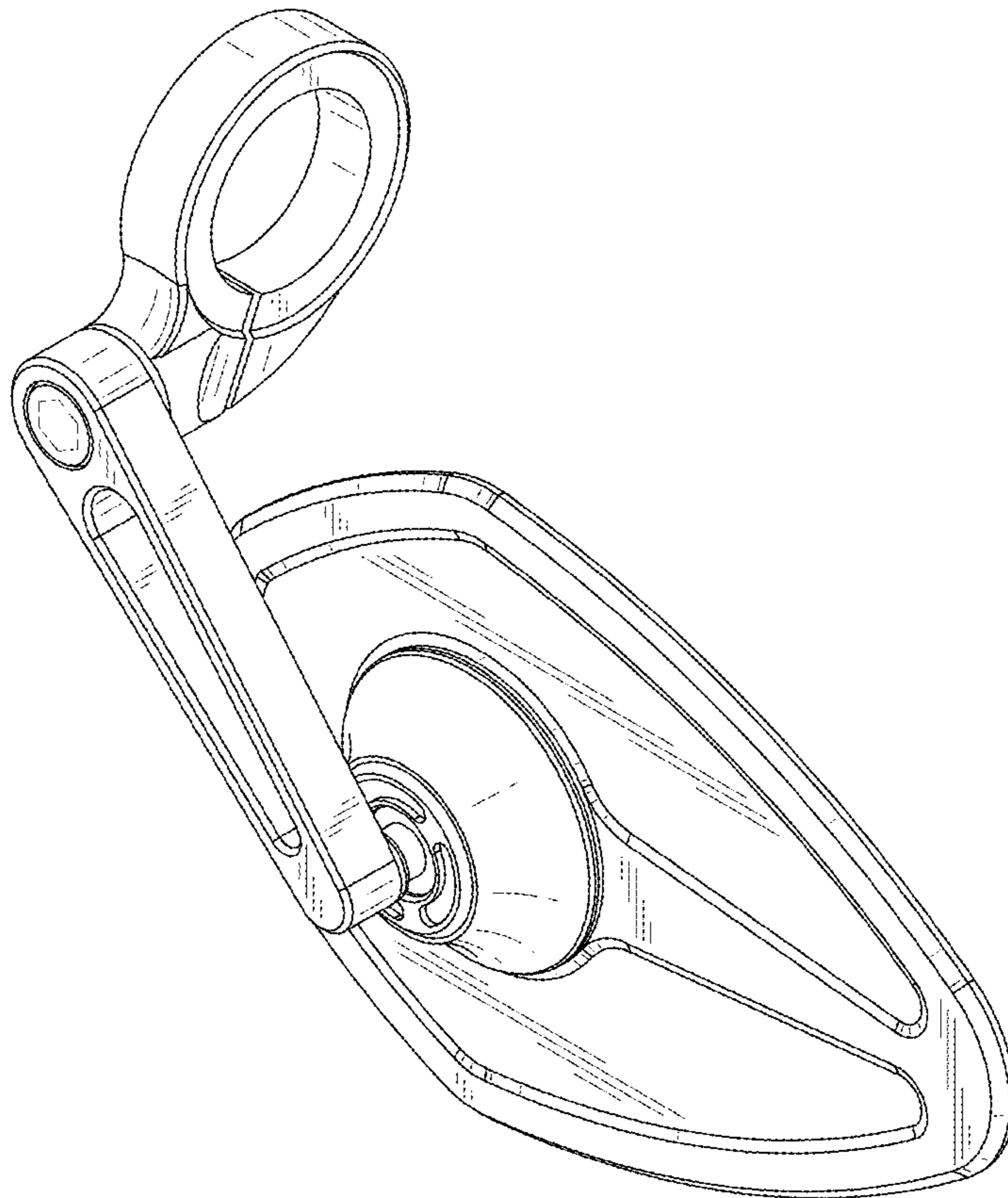


FIG. 1

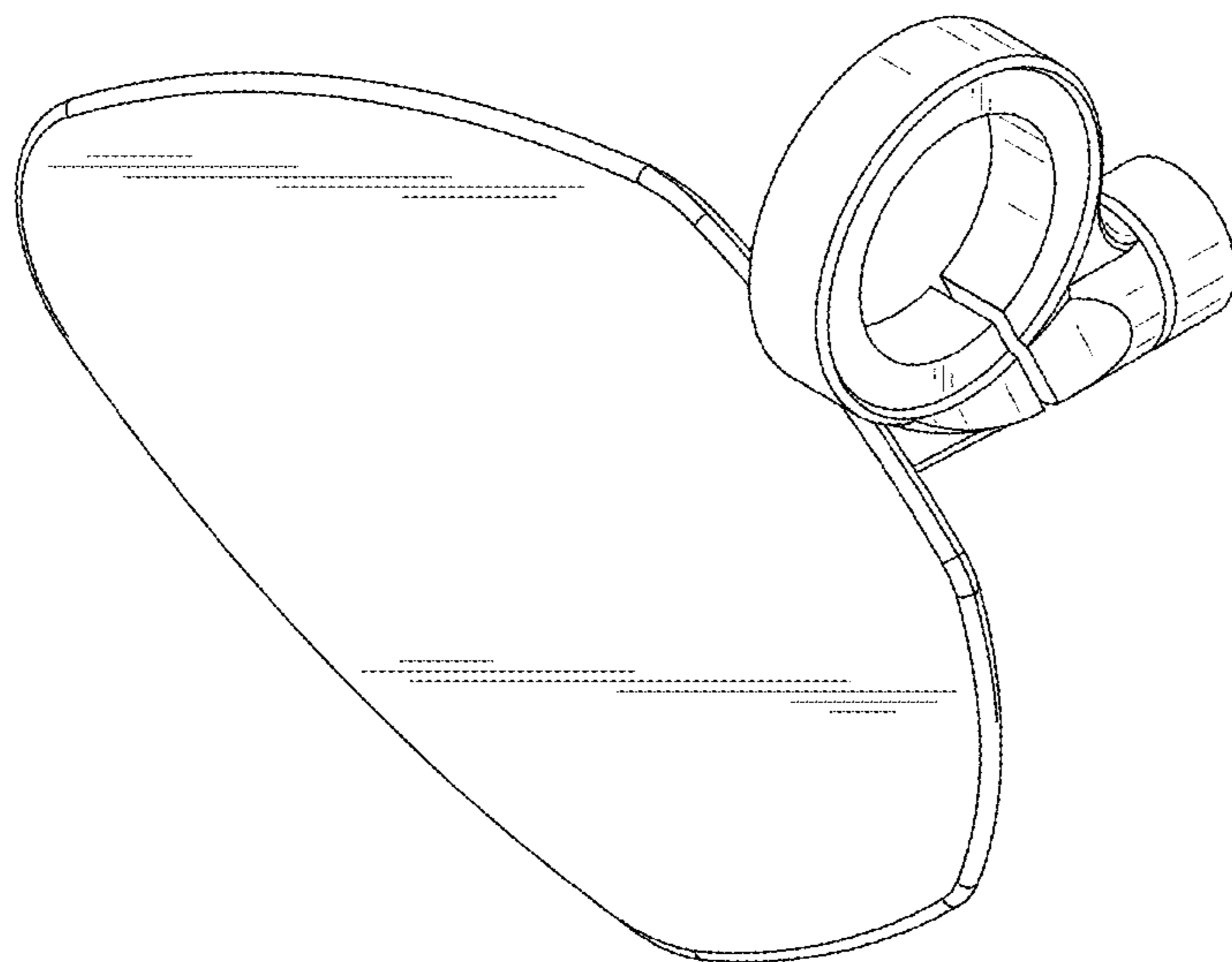


FIG. 2

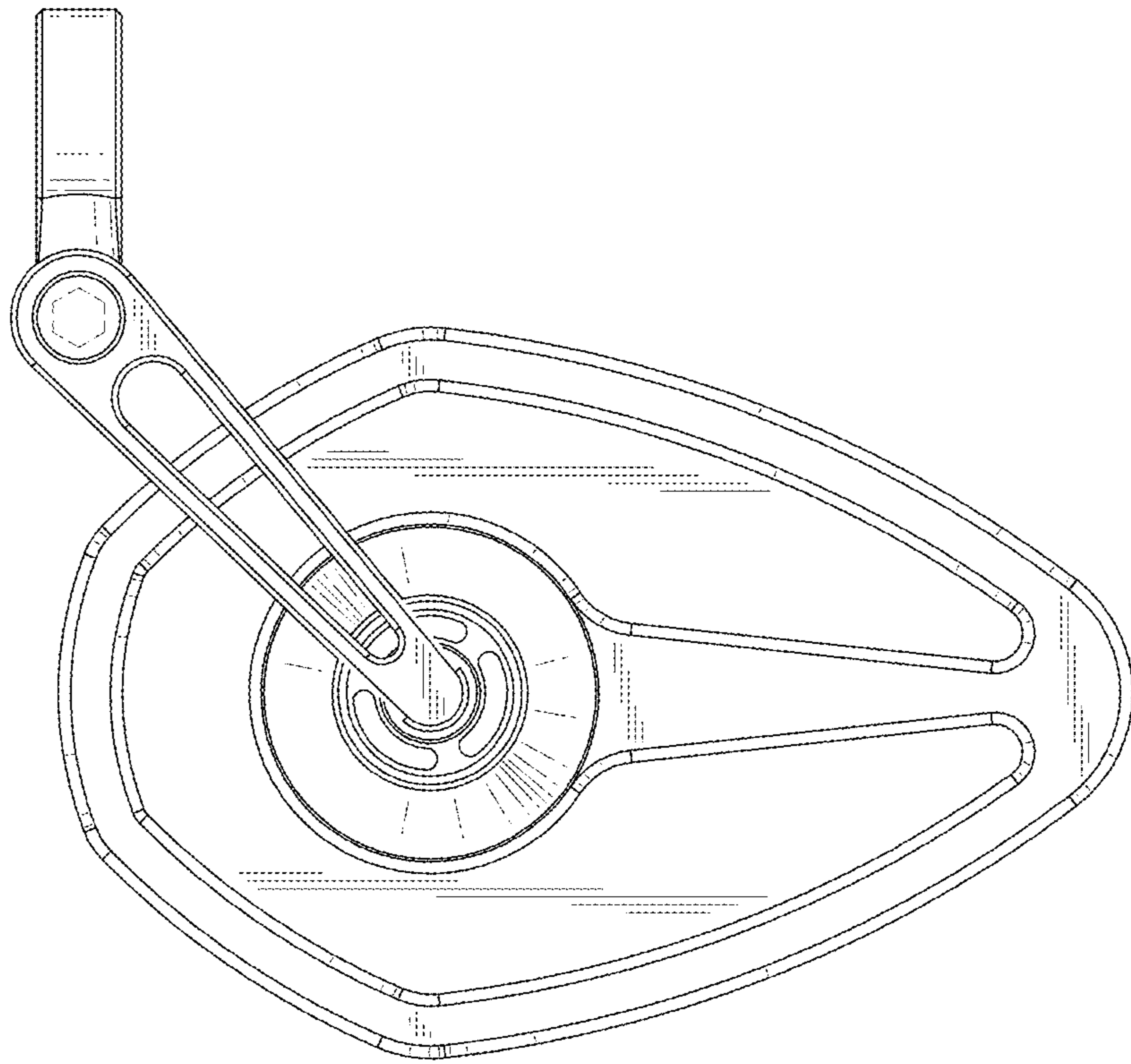


FIG. 3

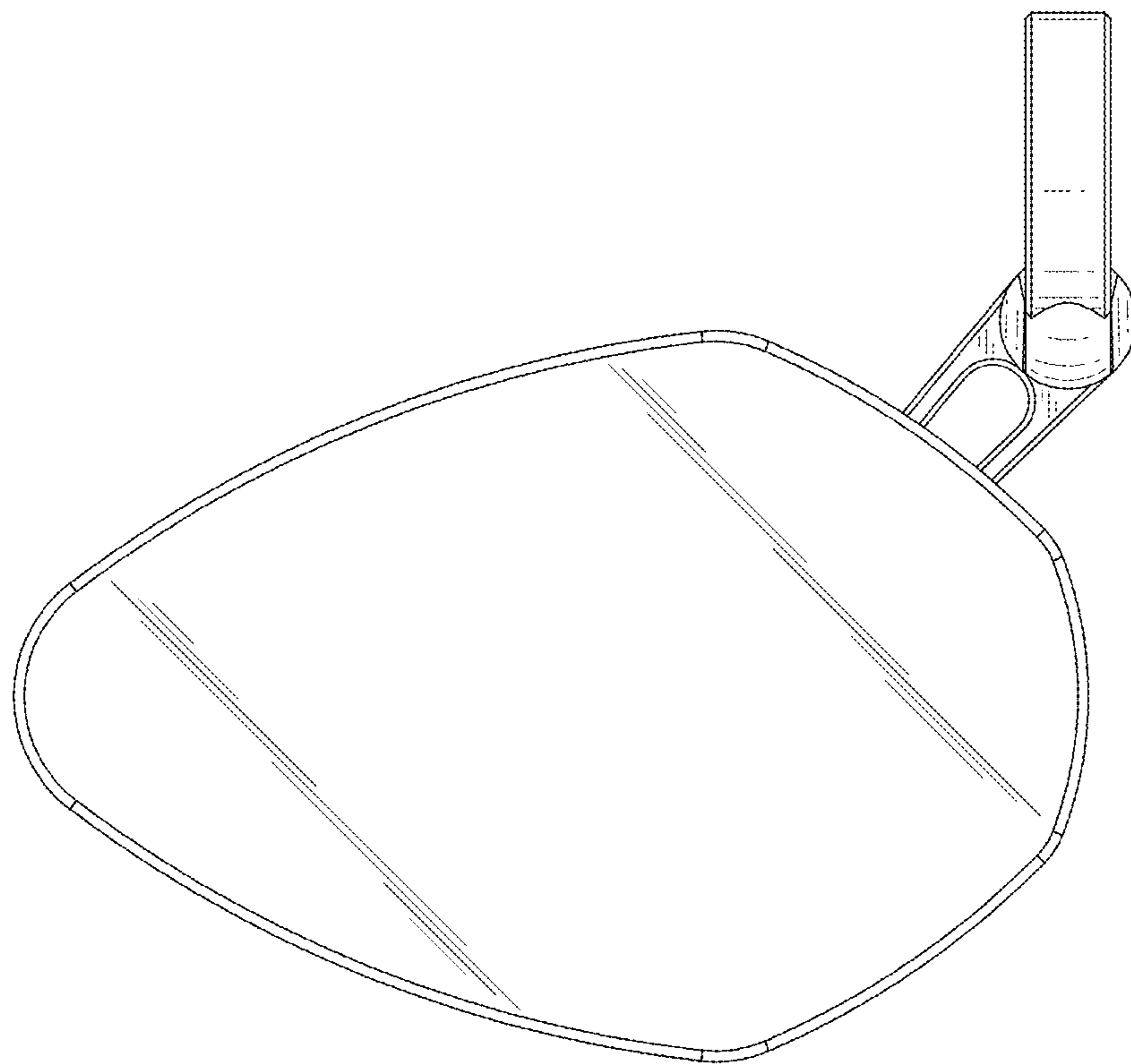


FIG. 4

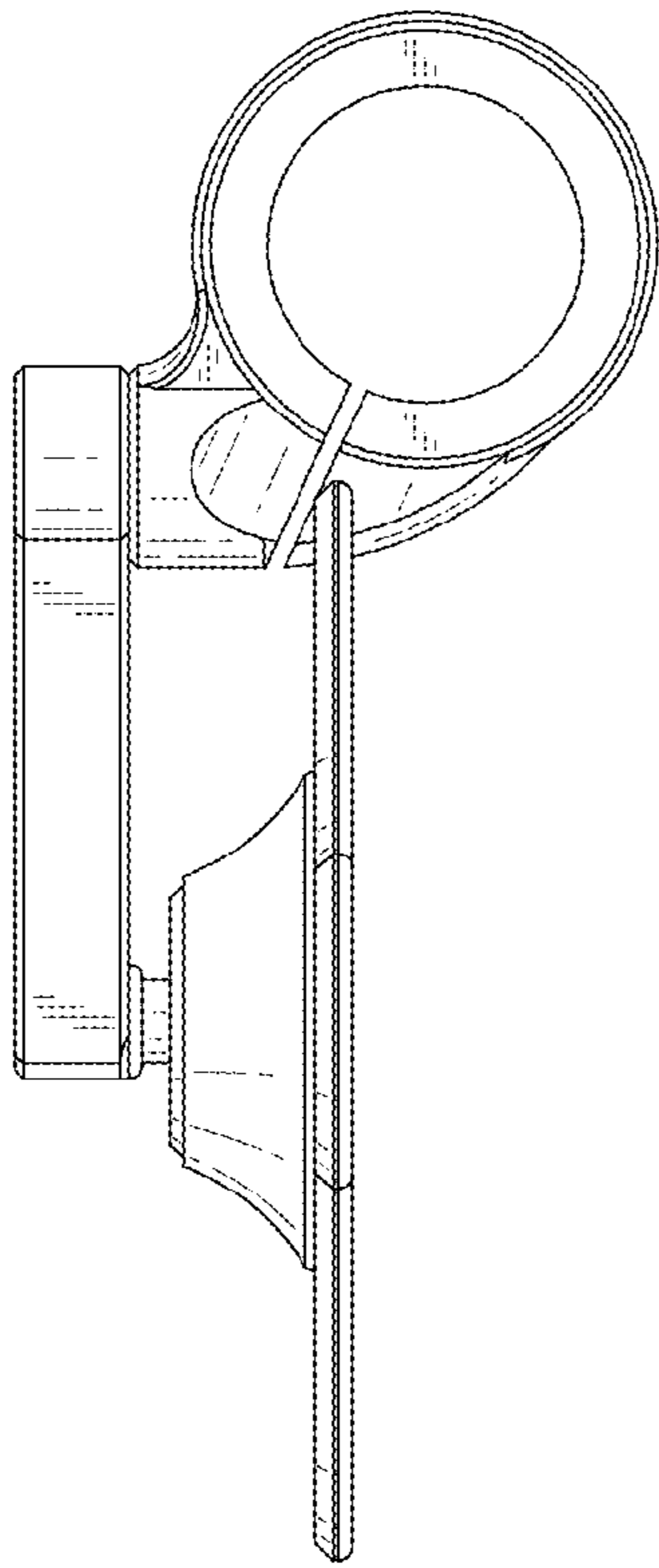


FIG. 5

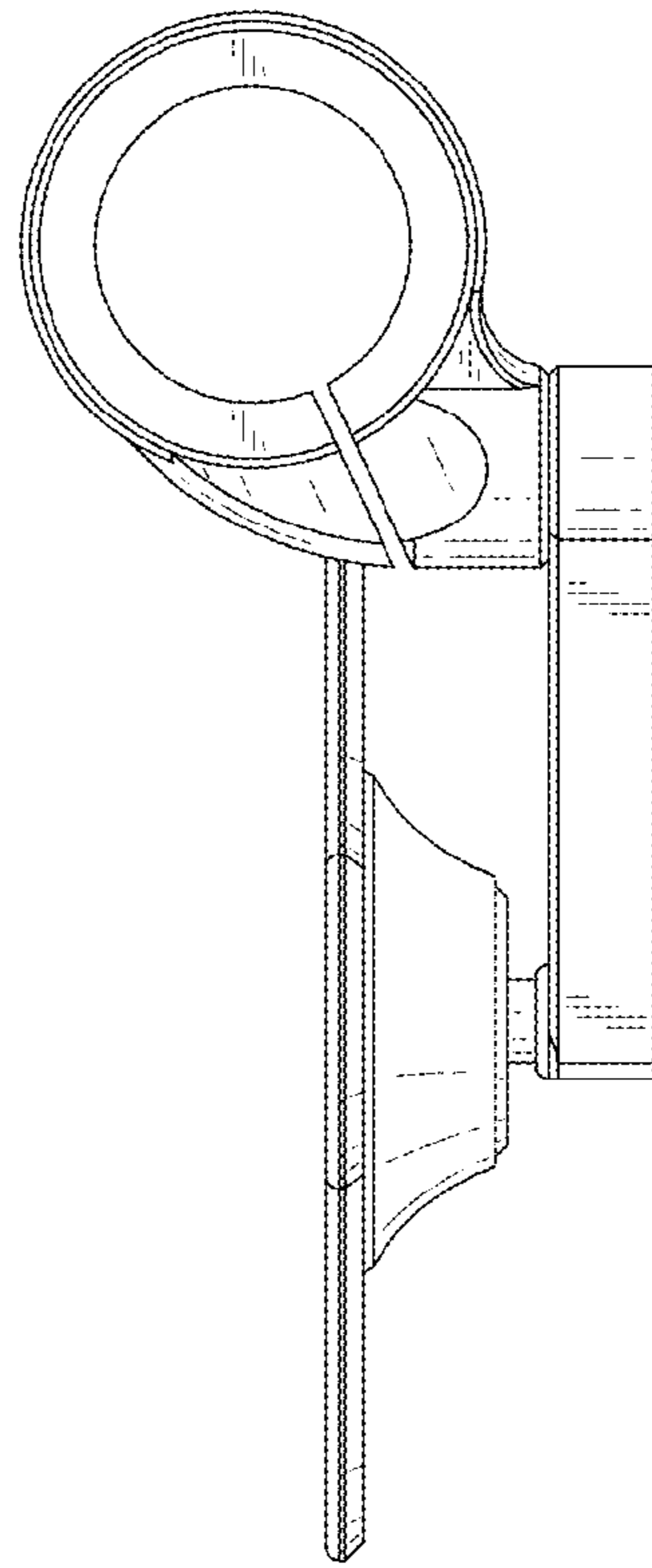


FIG. 6

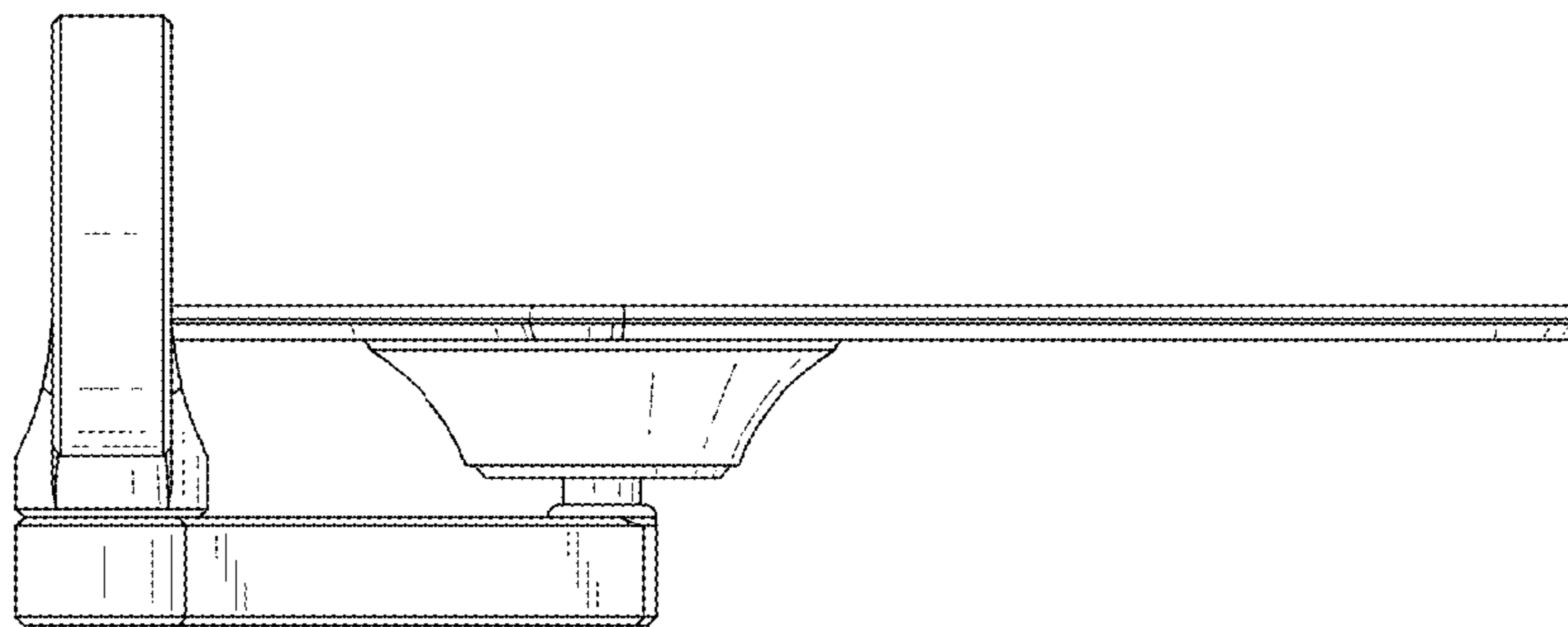


FIG. 7

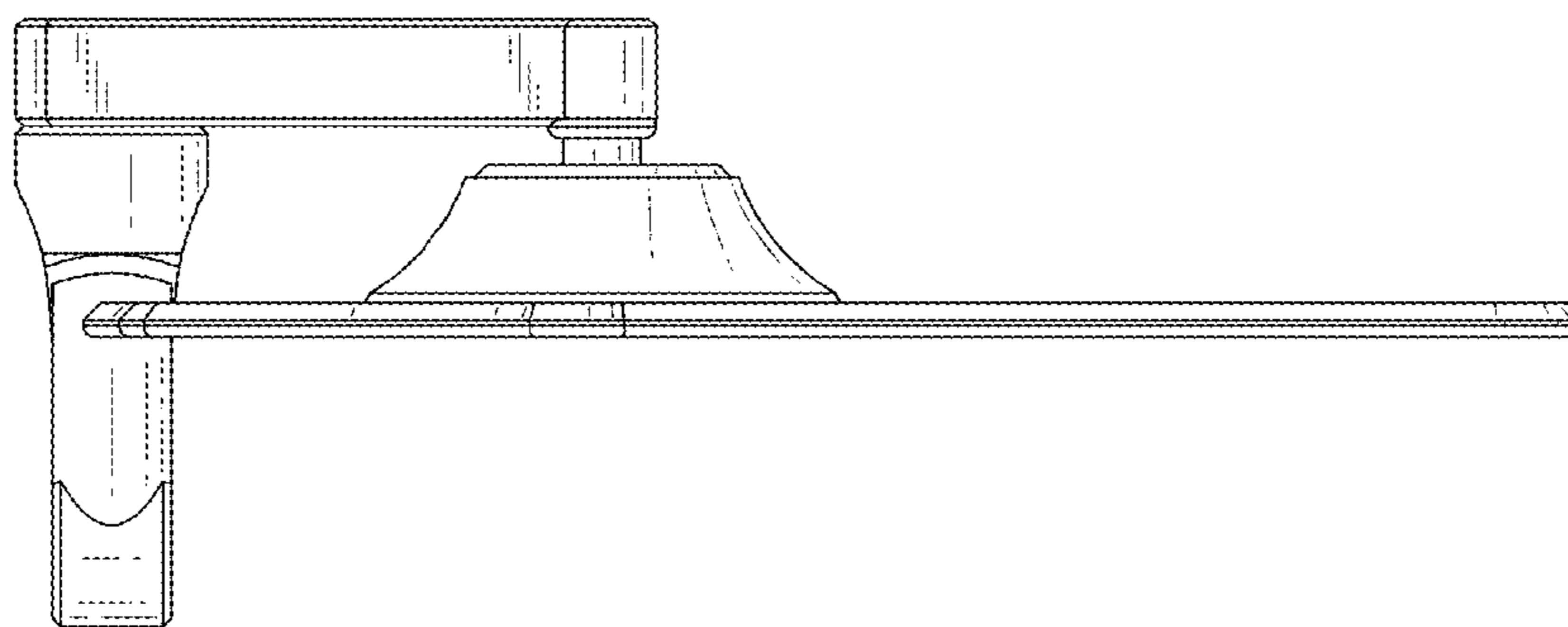


FIG. 8