



US00D906898S

(12) **United States Design Patent** (10) **Patent No.:** **US D906,898 S**
Keller (45) **Date of Patent:** **** Jan. 5, 2021**

(54) **MOTORCYCLE MIRROR**
(71) Applicant: **motogadget GmbH**, Berlin (DE)
(72) Inventor: **Garrit Keller**, Berlin (DE)
(73) Assignee: **MOTOGADGET GMBH**, Berlin (DE)
(**) Term: **15 Years**

D501,165 S * 1/2005 Grove D12/188
D508,883 S * 8/2005 Falconer D12/189
D647,444 S * 10/2011 Manukyan D12/187
D690,244 S * 9/2013 Suesse D12/187
D716,208 S * 10/2014 Rigolio D12/187
D716,209 S * 10/2014 Rigolio D12/187
D751,829 S * 3/2016 Yang D6/309
D754,446 S * 4/2016 Yang D6/310
D782,948 S * 4/2017 Wu D12/187
D835,016 S * 12/2018 Suesse D12/189

(Continued)

(21) Appl. No.: **29/707,002**
(22) Filed: **Sep. 25, 2019**

Primary Examiner — Michelle E. Wilson
Assistant Examiner — Clese Moore, Jr.
(74) *Attorney, Agent, or Firm* — Ware, Fressola, Maguire & Barber LLP

(30) **Foreign Application Priority Data**

Mar. 26, 2019 (EM) 006336160

(51) **LOC (13) Cl.** **12-11**
(52) **U.S. Cl.**
USPC **D12/114**; D12/187
(58) **Field of Classification Search**
USPC D12/114, 187–189; D6/300–303, 309
CPC B60R 1/066; B60R 1/006; B60R 1/02;
B60R 1/12; B62J 2099/0033; B62J 29/00
See application file for complete search history.

(57) **CLAIM**

I claim the ornamental design of the motorcycle mirror, as shown and described herein.

DESCRIPTION

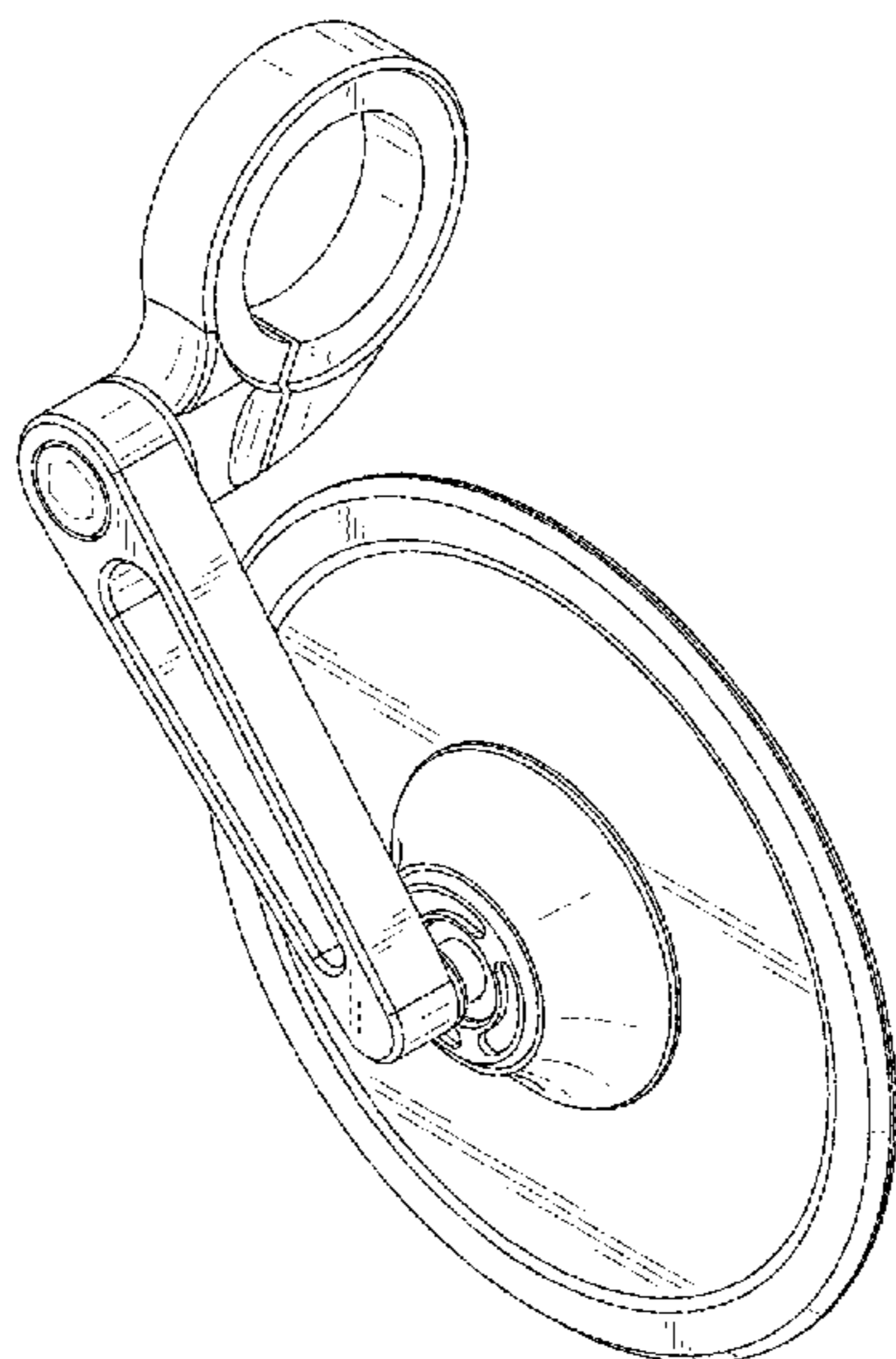
FIG. 1 shows a back perspective view of a motorcycle mirror, according to the present invention;
FIG. 2 shows a front perspective view of a motorcycle mirror shown in FIG. 1, according to the present invention;
FIG. 3 shows a back view of the motorcycle mirror shown in FIG. 1;
FIG. 4 shows a front view of the motorcycle mirror shown in FIG. 2;
FIG. 5 shows a right side view of the motorcycle mirror shown in FIG. 3;
FIG. 6 shows a left side view of the motorcycle mirror shown in FIG. 3;
FIG. 7 shows a top view of the motorcycle mirror shown in FIG. 3; and,
FIG. 8 shows a bottom view of the motorcycle mirror shown in FIG. 3.

(56) **References Cited**

U.S. PATENT DOCUMENTS

2,854,893 A * 10/1958 Henshall B60R 1/06
248/475.1
D263,948 S * 4/1982 Niggemann D12/189
D285,914 S * 9/1986 Vitaloni D12/189
D378,159 S * 2/1997 Mulkey D12/189
D393,823 S * 4/1998 Phillips D12/189
D395,266 S * 6/1998 Phillips D12/189
D405,039 S * 2/1999 Kiser D12/189
D418,224 S * 12/1999 Preusse D12/189
D425,841 S * 5/2000 Turner D12/189
D426,182 S * 6/2000 Brown D12/189
D474,432 S * 5/2003 Good D12/188
6,712,413 B1 * 3/2004 Flowerday B60R 1/06
248/476
D492,230 S * 6/2004 Berger D12/187

1 Claim, 3 Drawing Sheets



(56)

References Cited

U.S. PATENT DOCUMENTS

D839,788 S *	2/2019	Keller	D12/114
2011/0031370 A1 *	2/2011	Carnevali	B62J 29/00
			248/483
2011/0058269 A1 *	3/2011	Su	A61B 1/247
			359/882

* cited by examiner

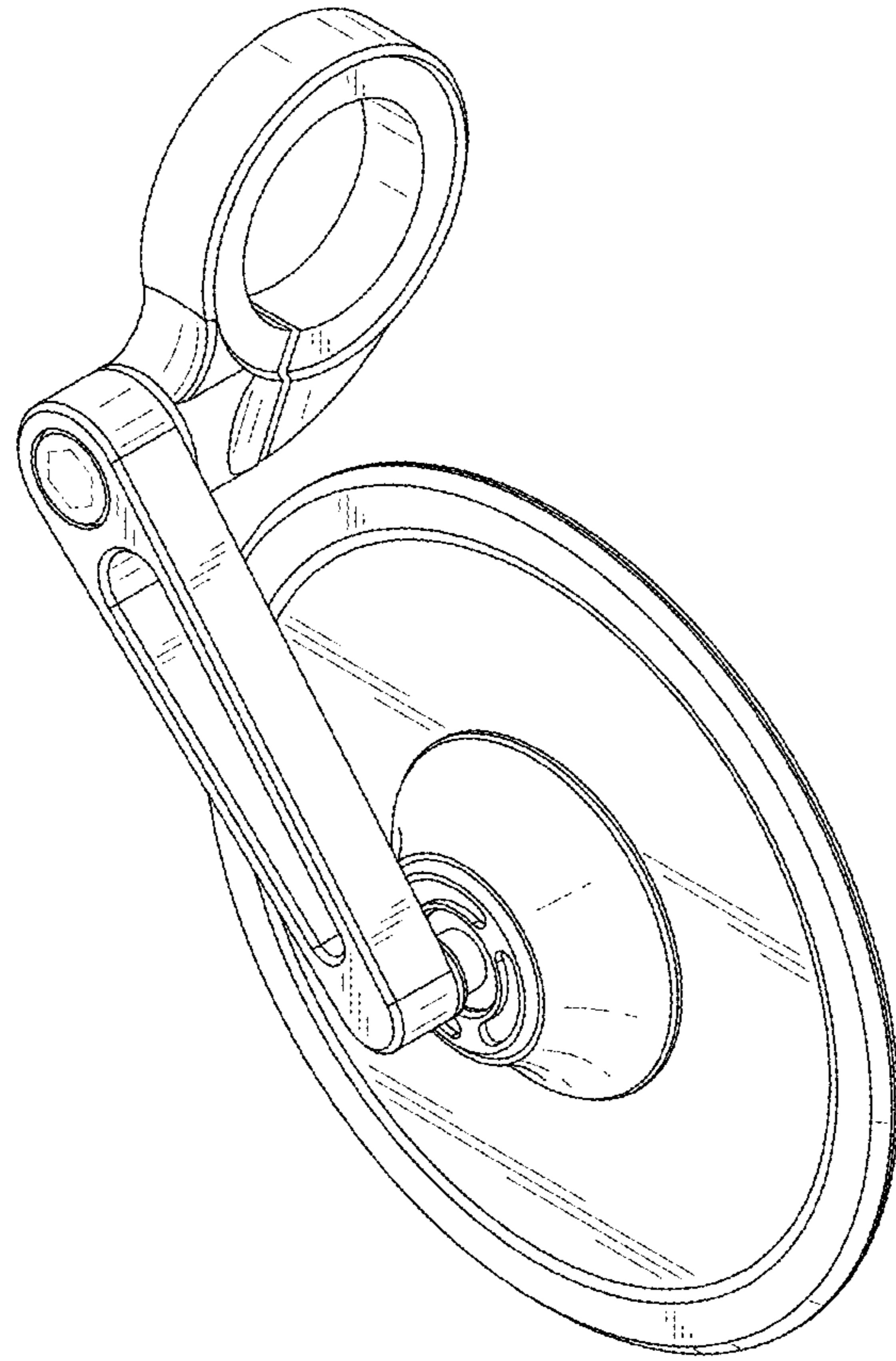


FIG. 1

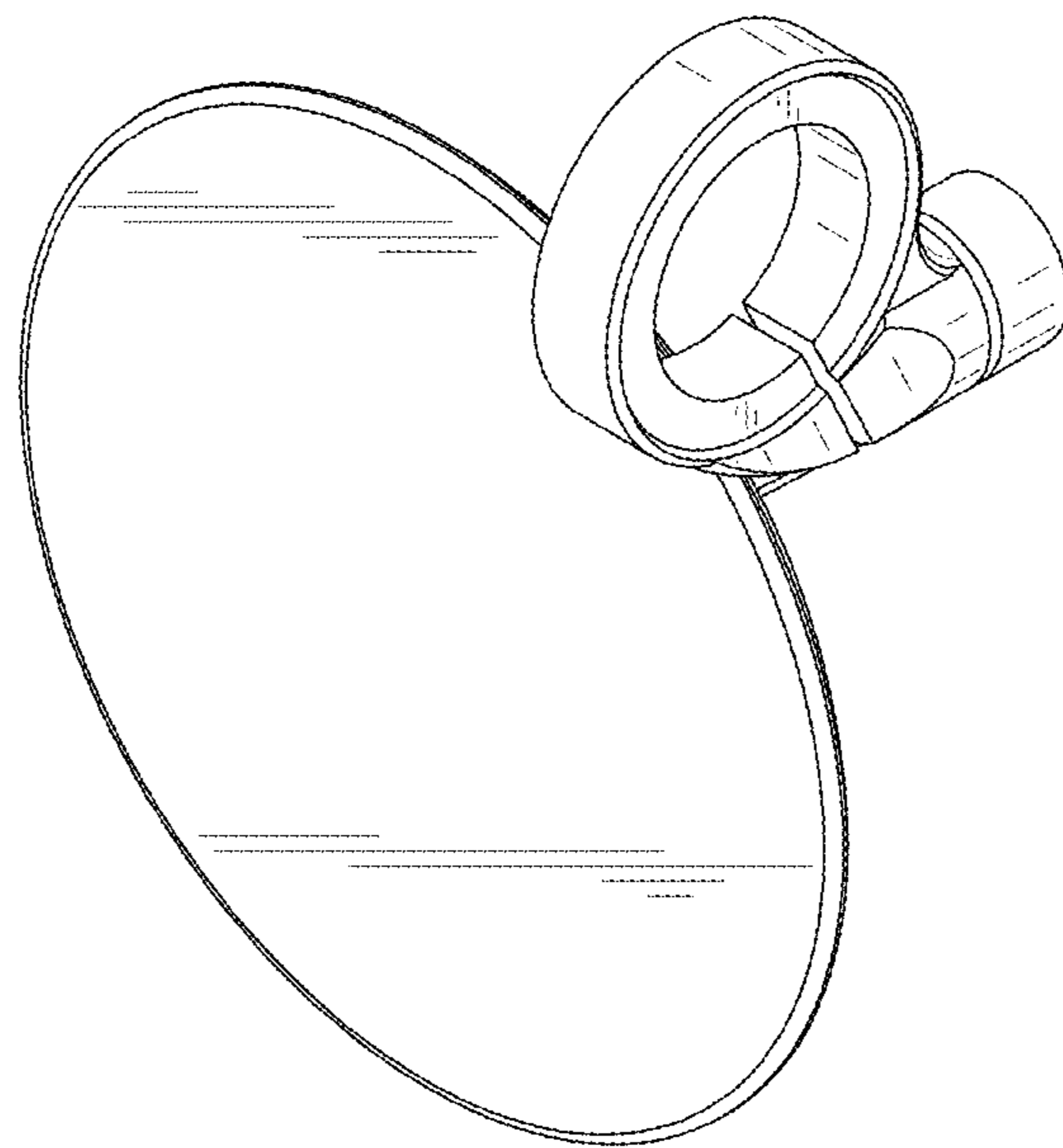


FIG. 2

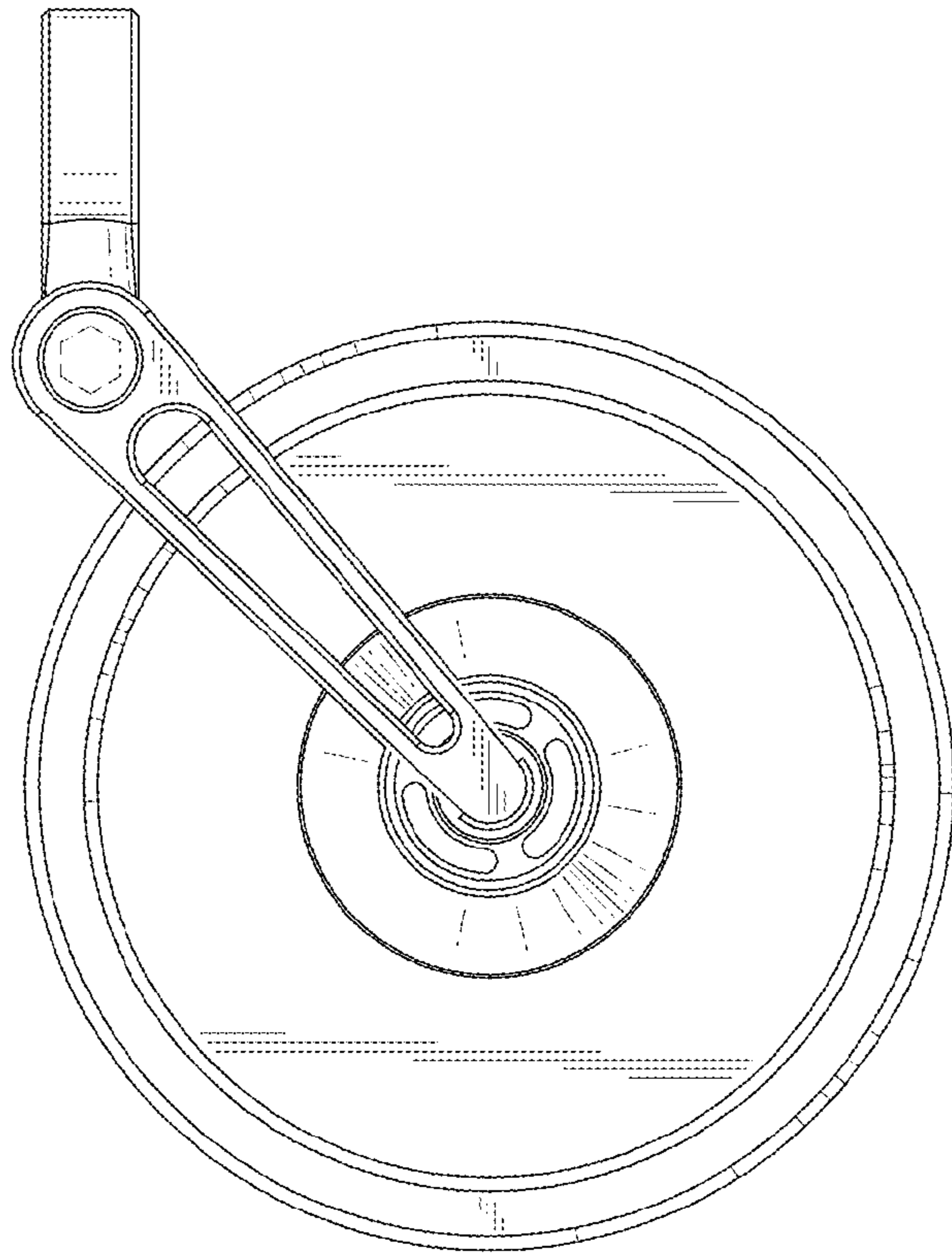


FIG. 3

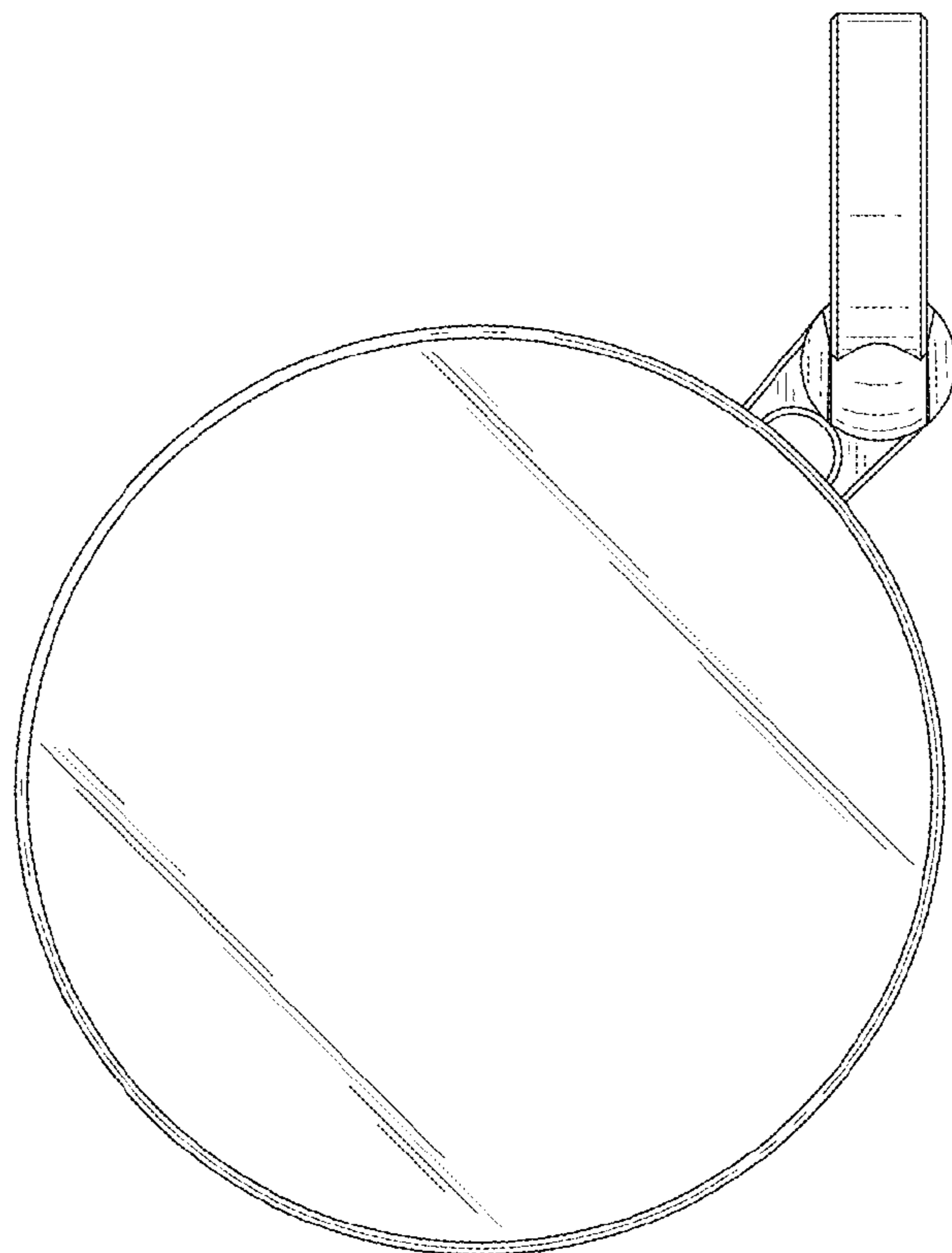


FIG. 4

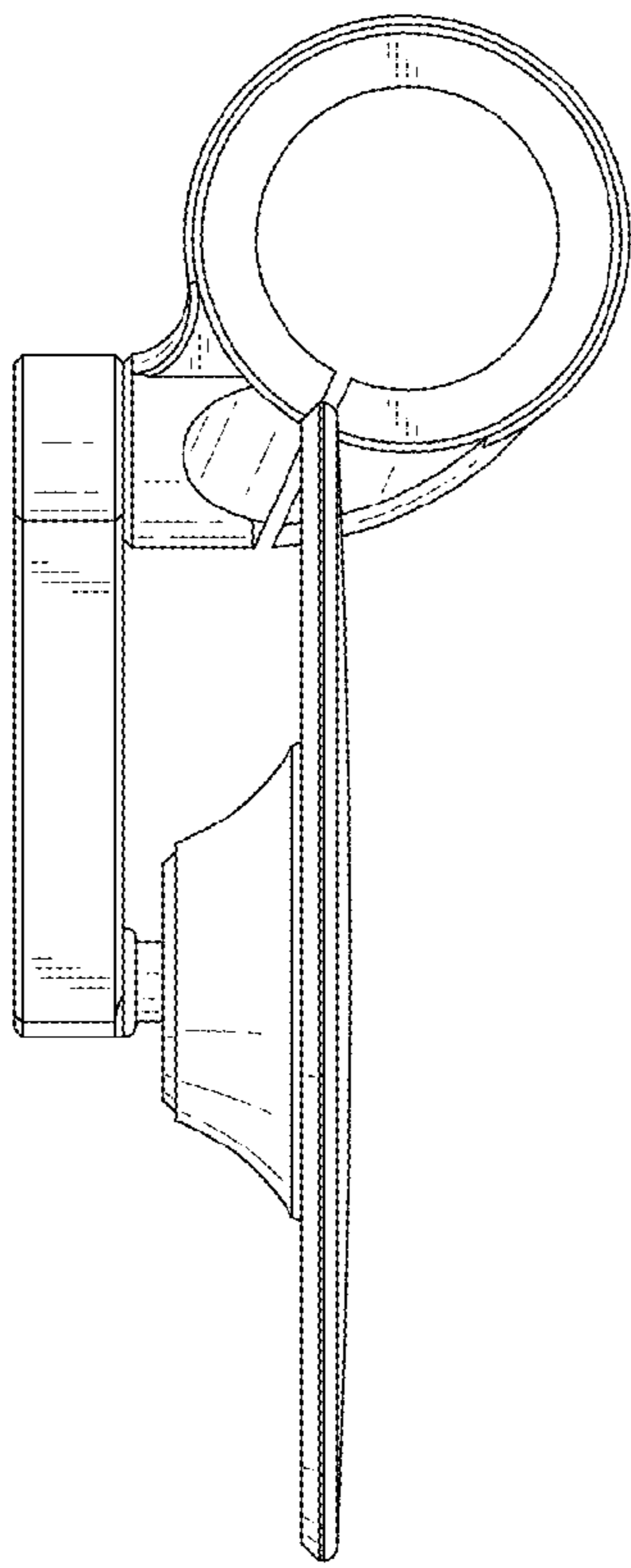


FIG. 5

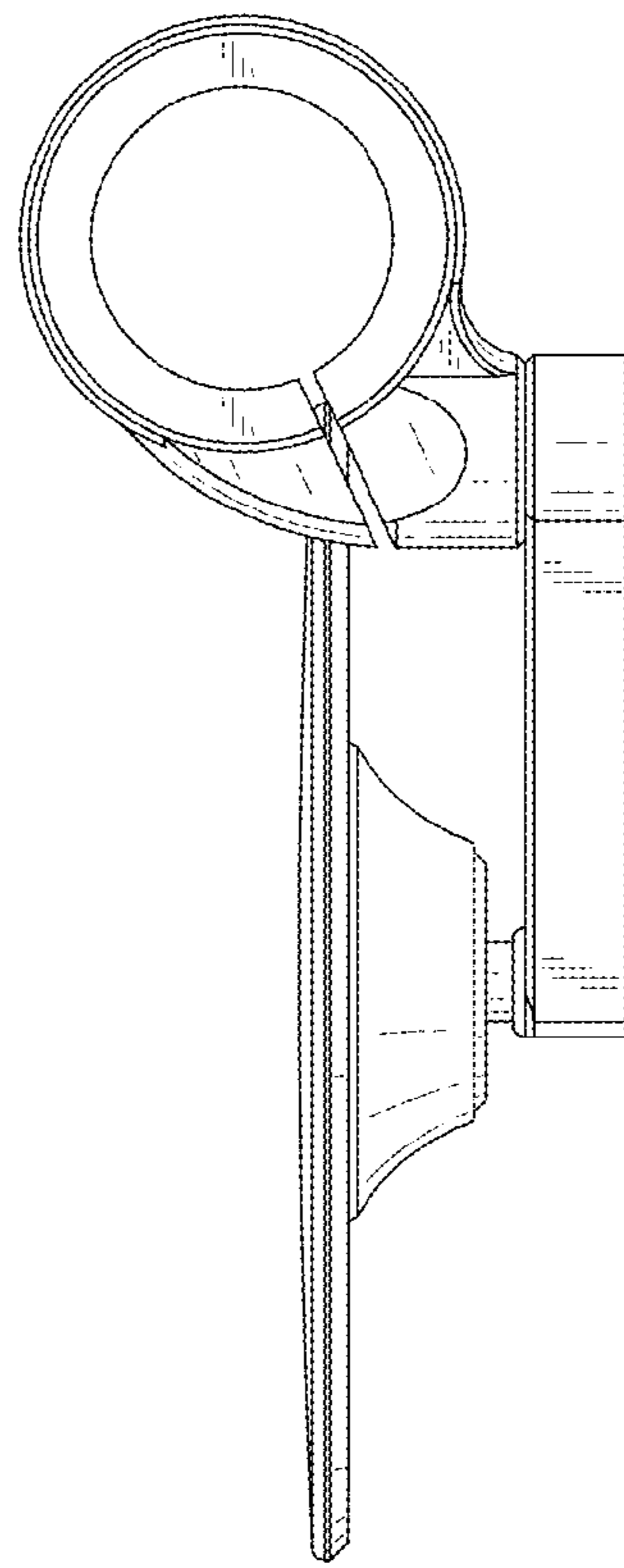


FIG. 6

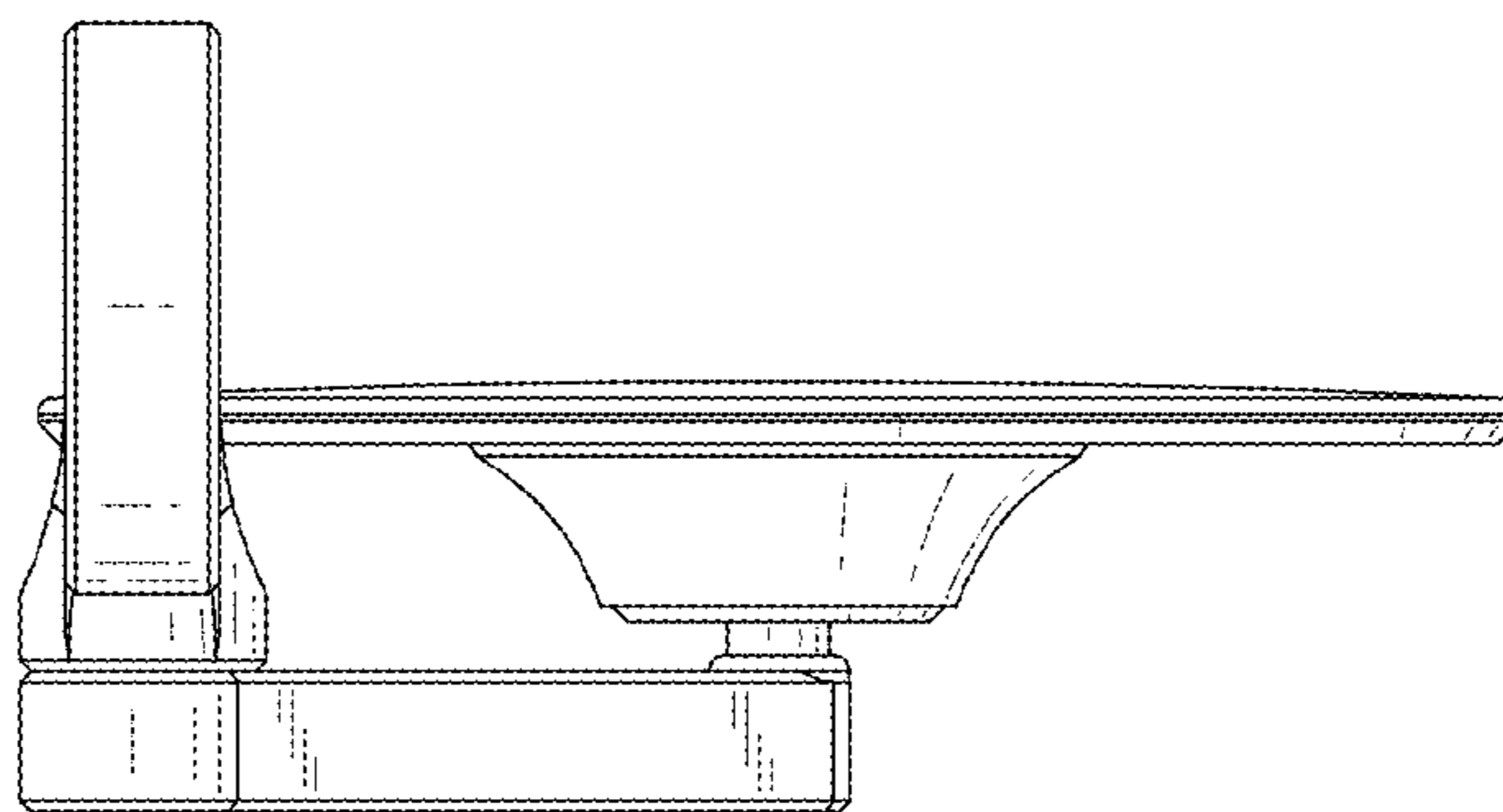


FIG. 7

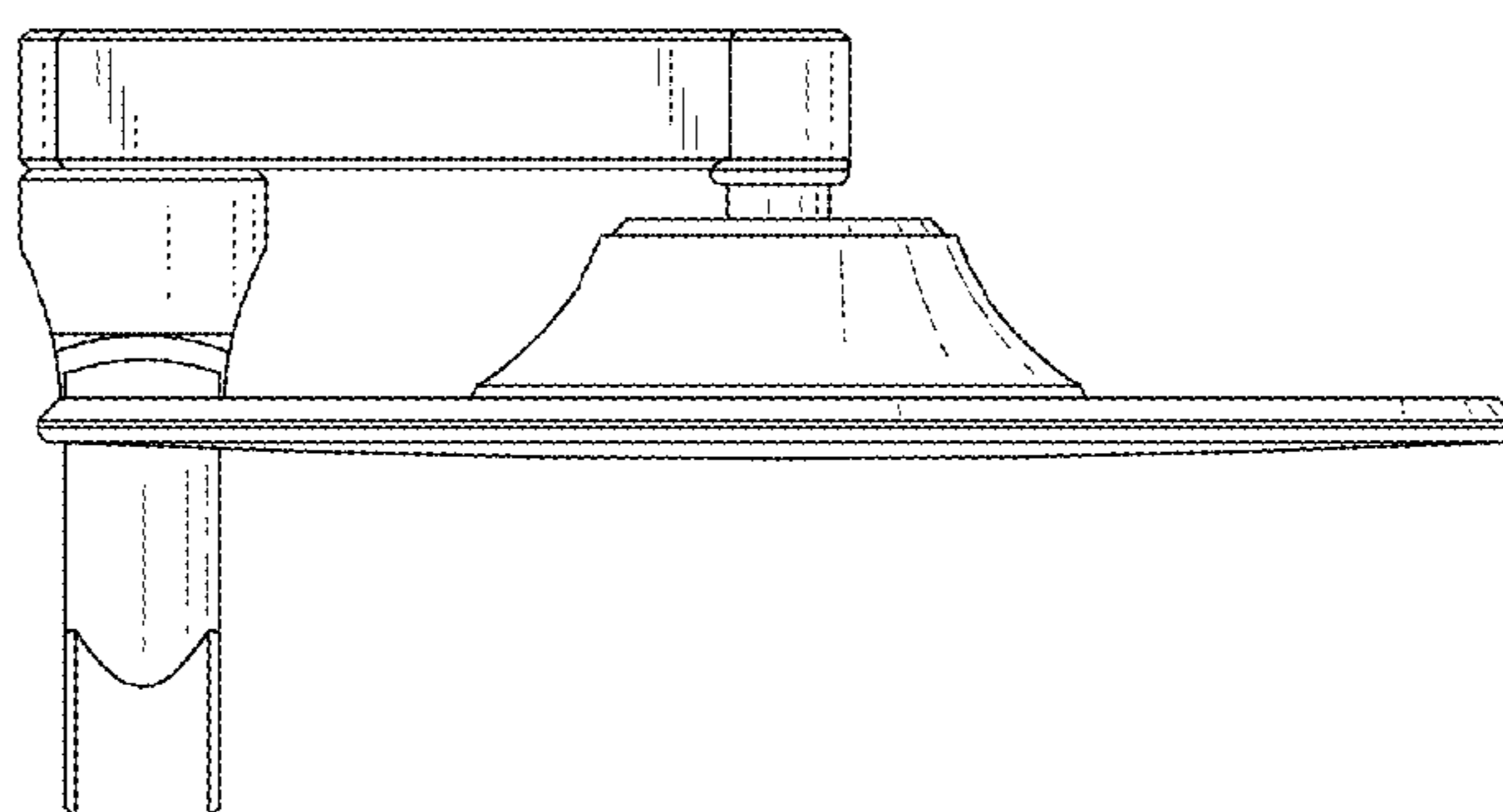


FIG. 8