



US00D906893S

(12) **United States Design Patent**
Lin et al.

(10) **Patent No.: US D906,893 S**
(45) **Date of Patent: ** Jan. 5, 2021**

- (54) **BICYCLE FRAME**
- (71) Applicant: **Gogoro Inc.**, Wanchai (HK)
- (72) Inventors: **Hsun-Hsueh Lin**, Taoyuan (TW);
Ting-Ping Ku, Taoyuan (TW); **Meng Yuan Wu**, Taoyuan (TW)
- (73) Assignee: **Gogoro Inc.**, Wanchai (HK)
- (**) Term: **15 Years**
- (21) Appl. No.: **29/692,434**
- (22) Filed: **May 24, 2019**
- (51) **LOC (13) Cl.** **12-11**
- (52) **U.S. Cl.**
USPC **D12/111**
- (58) **Field of Classification Search**
USPC D12/111, 117; D21/412, 414, 419,
D21/423-428
CPC B62K 3/00; B62K 3/02; B62K 3/06
See application file for complete search history.

9,611,003 B1 * 4/2017 Yu B62M 6/90
D785,509 S * 5/2017 Juhlin D12/111
D801,875 S * 11/2017 Pfeiffer D12/111

(Continued)

OTHER PUBLICATIONS

Micah Toll. "Gogoro unveils 26 lb Eeyo 1 electric bike, shows off innovative new Snnartwheel." *electrek.*, May 28, 2020 [online], [retrieved on Sep. 20, 2020]. Retrieved from the Internet <URL: <https://electrek.co/2020/05/28/gogoro-eeyo-1-electric-bicycle-smartwheel-launch/>>.*

Primary Examiner — Darlington Ly

(74) *Attorney, Agent, or Firm* — Banner & Witcoff, Ltd.

(57) **CLAIM**

The ornamental design for a bicycle frame, as shown and described.

DESCRIPTION

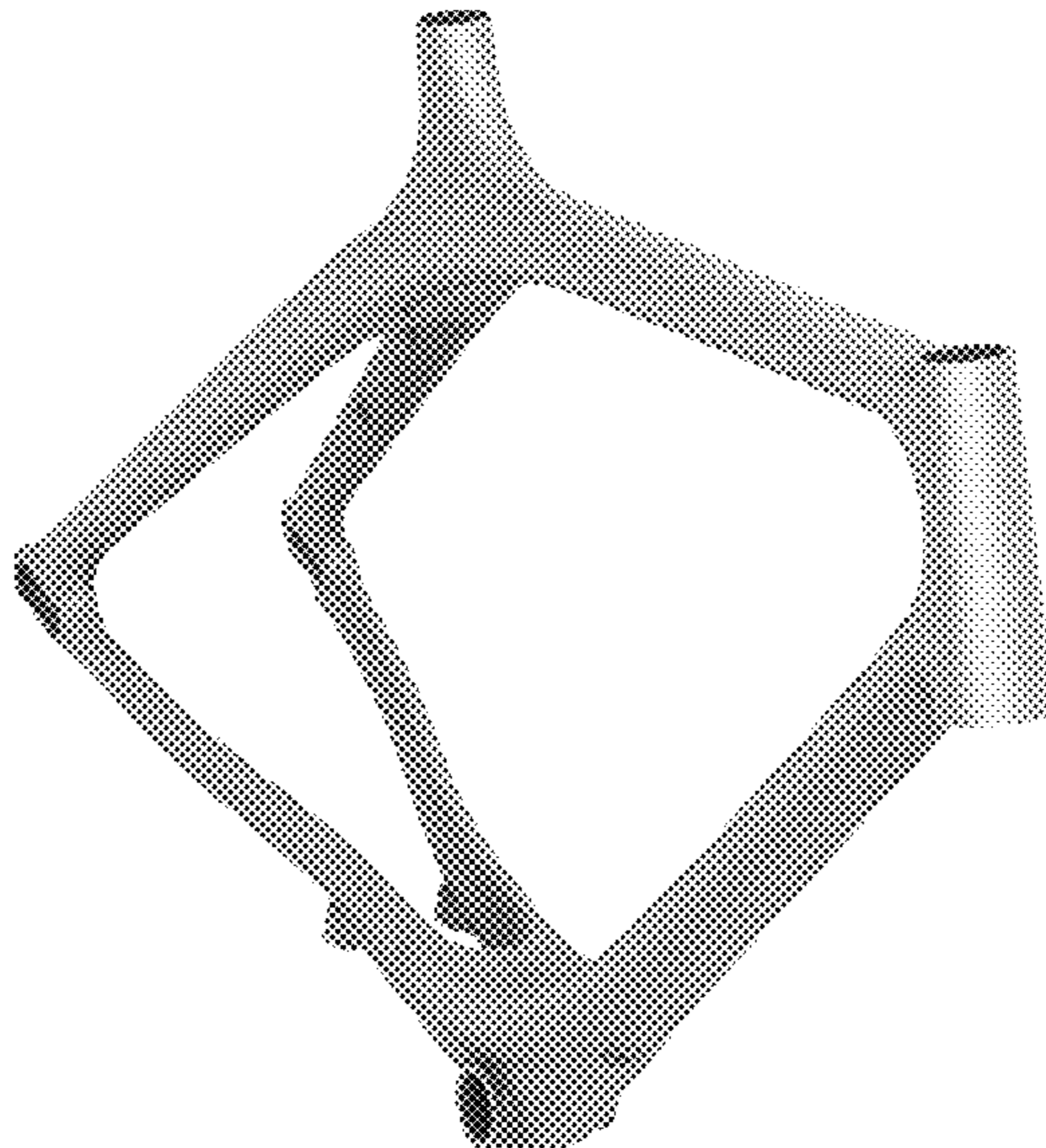
FIG. 1 is a perspective view of a first embodiment for a bicycle frame showing our new design;
 FIG. 2 is a front elevational view thereof;
 FIG. 3 is a rear elevational view thereof;
 FIG. 4 is a left side elevational view thereof;
 FIG. 5 is a right side elevational view thereof;
 FIG. 6 is a top plan view thereof;
 FIG. 7 is a bottom plan view thereof;
 FIG. 8 is a front perspective view thereof;
 FIG. 9 is a perspective view of a second embodiment for a bicycle frame showing our new design;
 FIG. 10 is a front elevational view thereof;
 FIG. 11 is a rear elevational view thereof;
 FIG. 12 is a left side elevational view thereof;
 FIG. 13 is a right side elevational view thereof;
 FIG. 14 is a top plan view thereof;
 FIG. 15 is a bottom plan view thereof; and,
 FIG. 16 is a front perspective view thereof.
 The broken lines and the grayed-out regions represent features which form no part of the claimed design.

(56) **References Cited**

U.S. PATENT DOCUMENTS

D507,768 S *	7/2005	Tomlinson	D12/111
D542,189 S *	5/2007	Ellsworth	D12/111
D604,205 S *	11/2009	Cattaneo	D12/111
D635,894 S *	4/2011	Argote Vivar	D12/111
D637,527 S *	5/2011	Choi	D12/111
D667,347 S *	9/2012	Simko	D12/111
D688,599 S *	8/2013	Silva	D12/111
D689,407 S *	9/2013	Kim	D12/111
D689,408 S *	9/2013	Kim	D12/111
D720,657 S *	1/2015	Kahler, Jr.	D12/111
D722,285 S *	2/2015	Silva	D12/111
D734,218 S *	7/2015	D'Aluisio	D12/111
D734,692 S *	7/2015	D'Aluisio	D12/111
D735,089 S *	7/2015	Gauthier	D12/111
D742,284 S *	11/2015	Strickland	D12/111
D774,970 S *	12/2016	D'Aluisio	D12/111

1 Claim, 16 Drawing Sheets



(56)

References Cited

U.S. PATENT DOCUMENTS

D802,487 S * 11/2017 Petrov D12/111
D811,275 S * 2/2018 Hendey D12/111
D842,765 S * 3/2019 Deltour D12/111
2014/0265406 A1* 9/2014 Huber B62K 19/36
296/29
2016/0236745 A1* 8/2016 Groendal B62K 19/02
2018/0065704 A1* 3/2018 Choi B62M 9/16

* cited by examiner

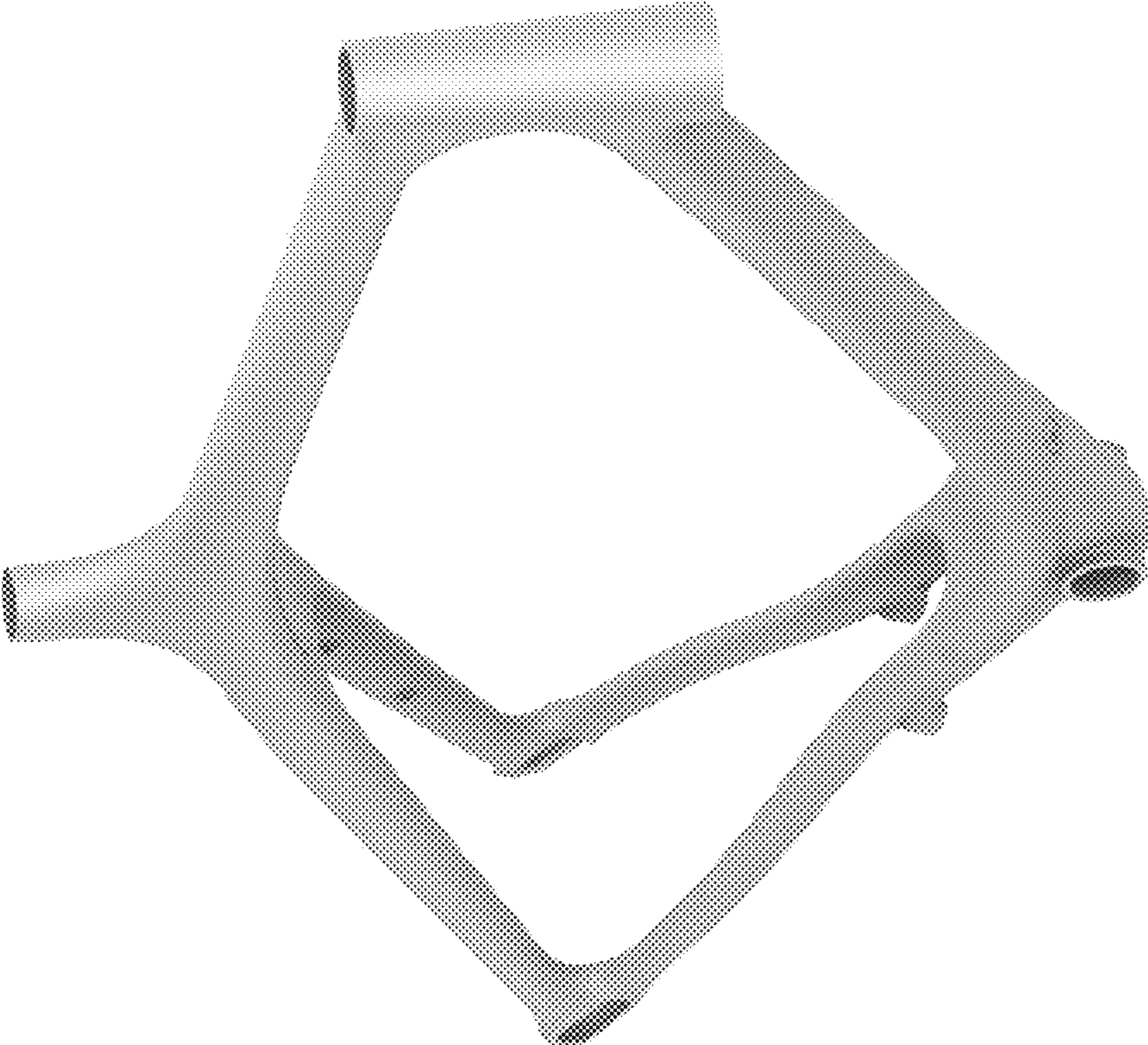


Fig. 1

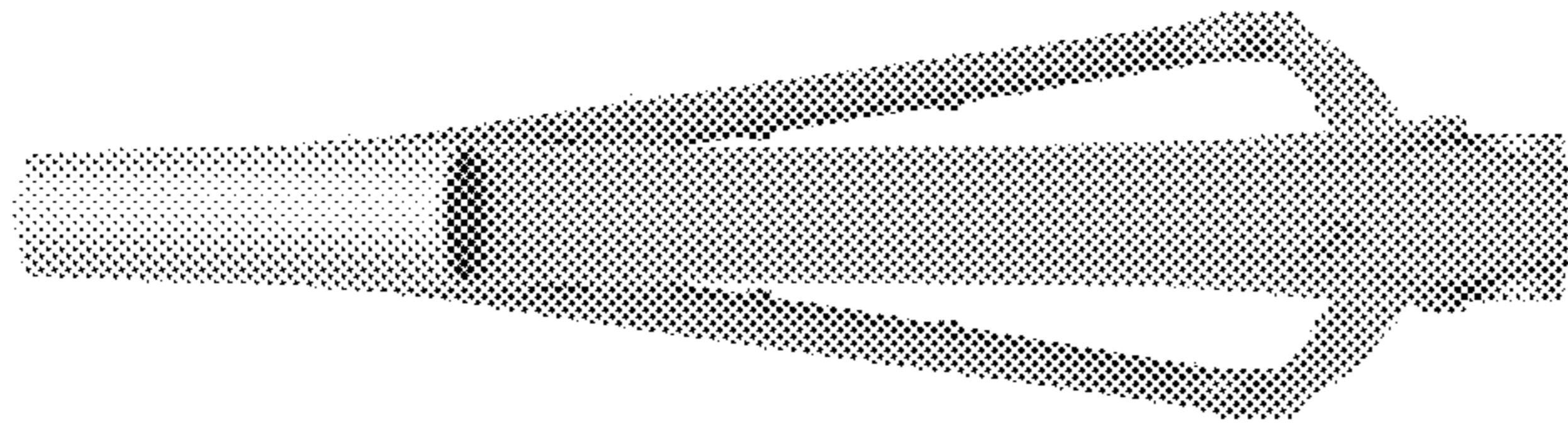


Fig. 2

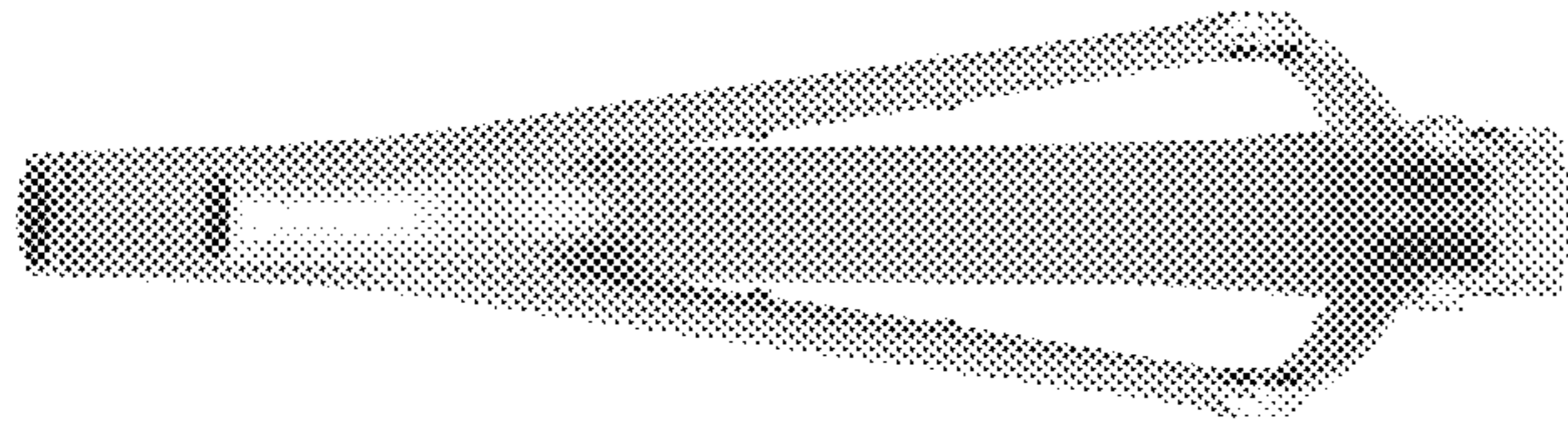


Fig. 3

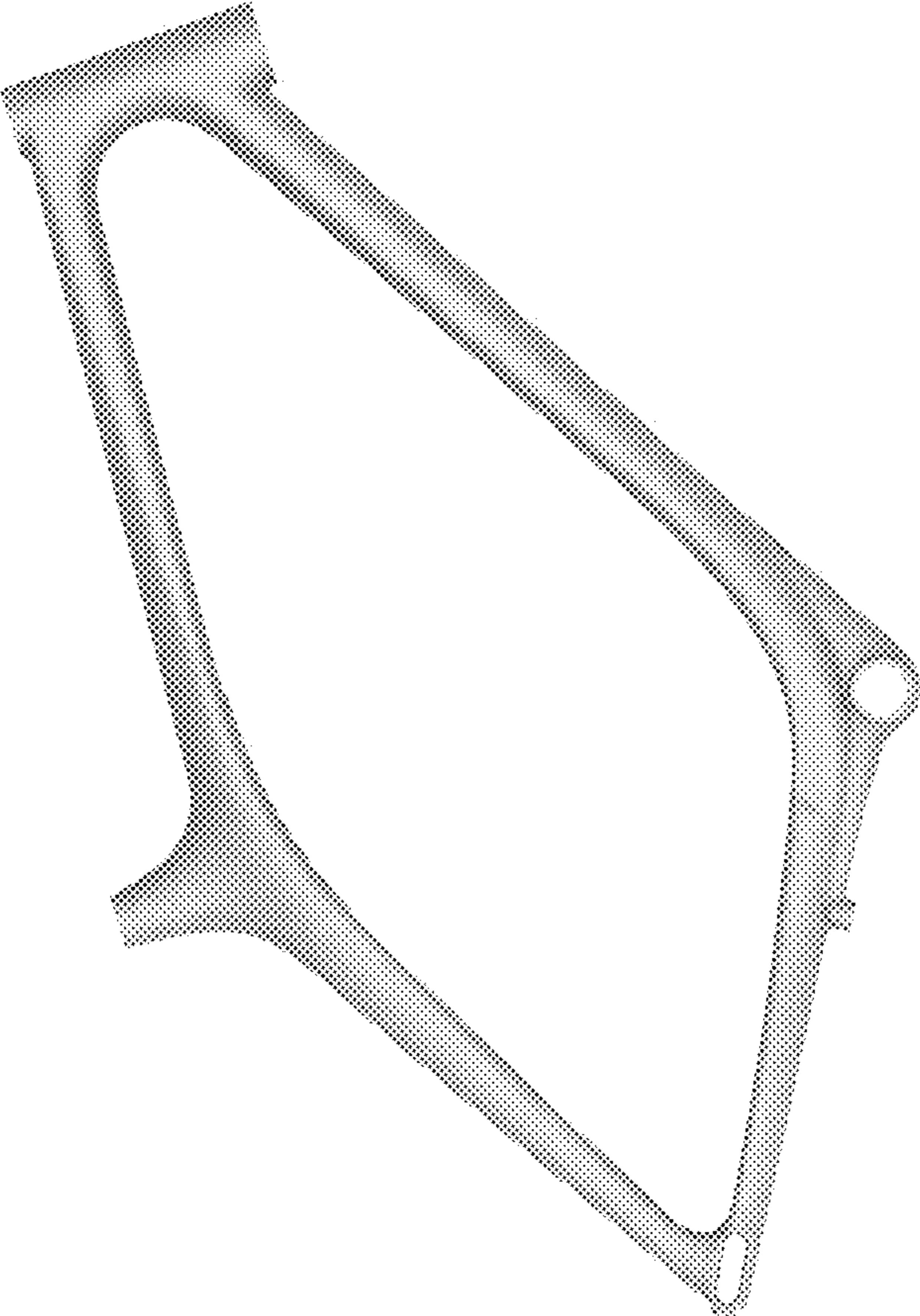


Fig. 4

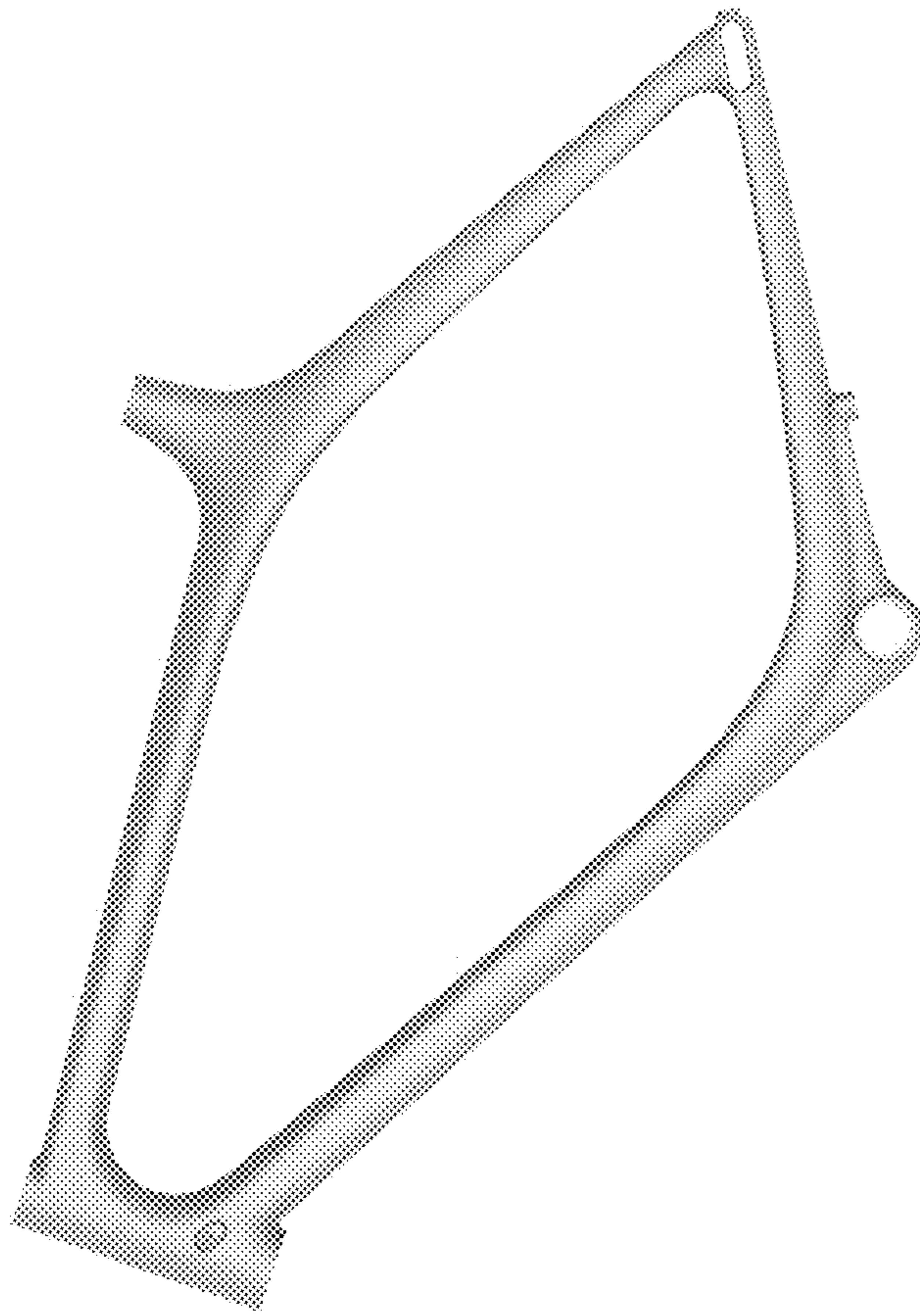


Fig. 5

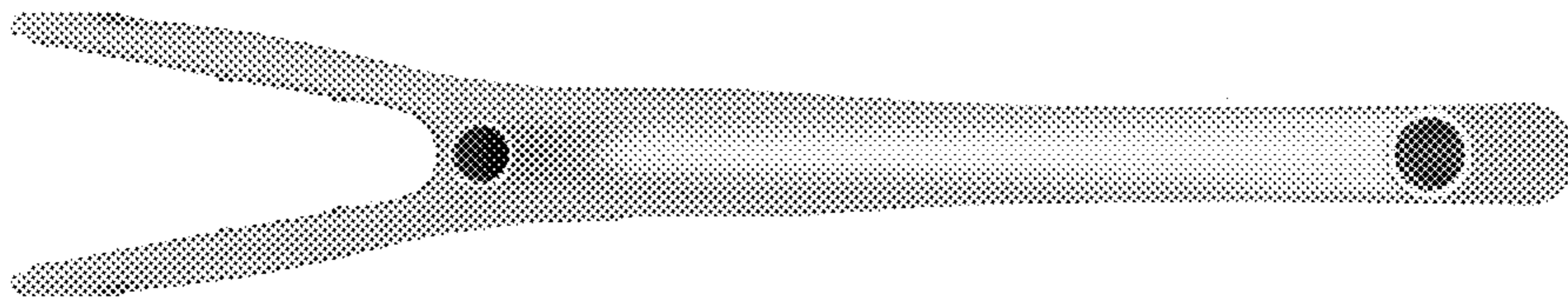


Fig. 6

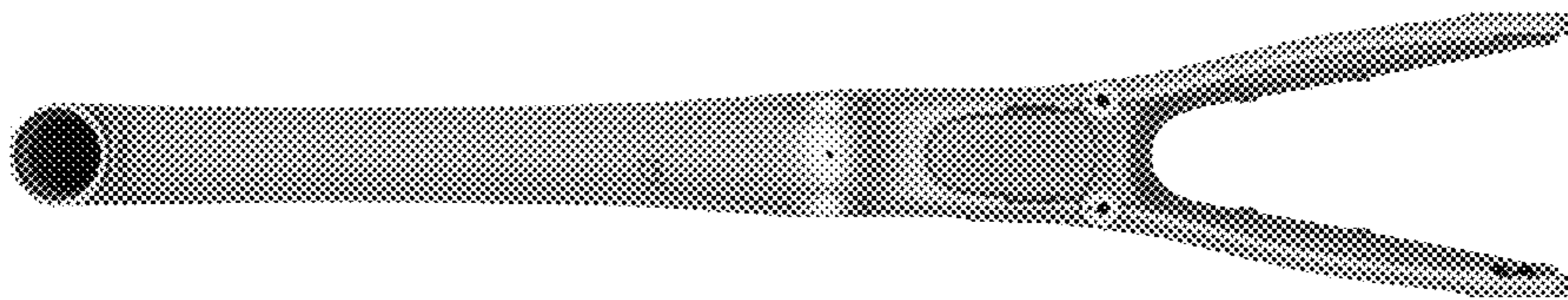


Fig. 7



Fig. 8

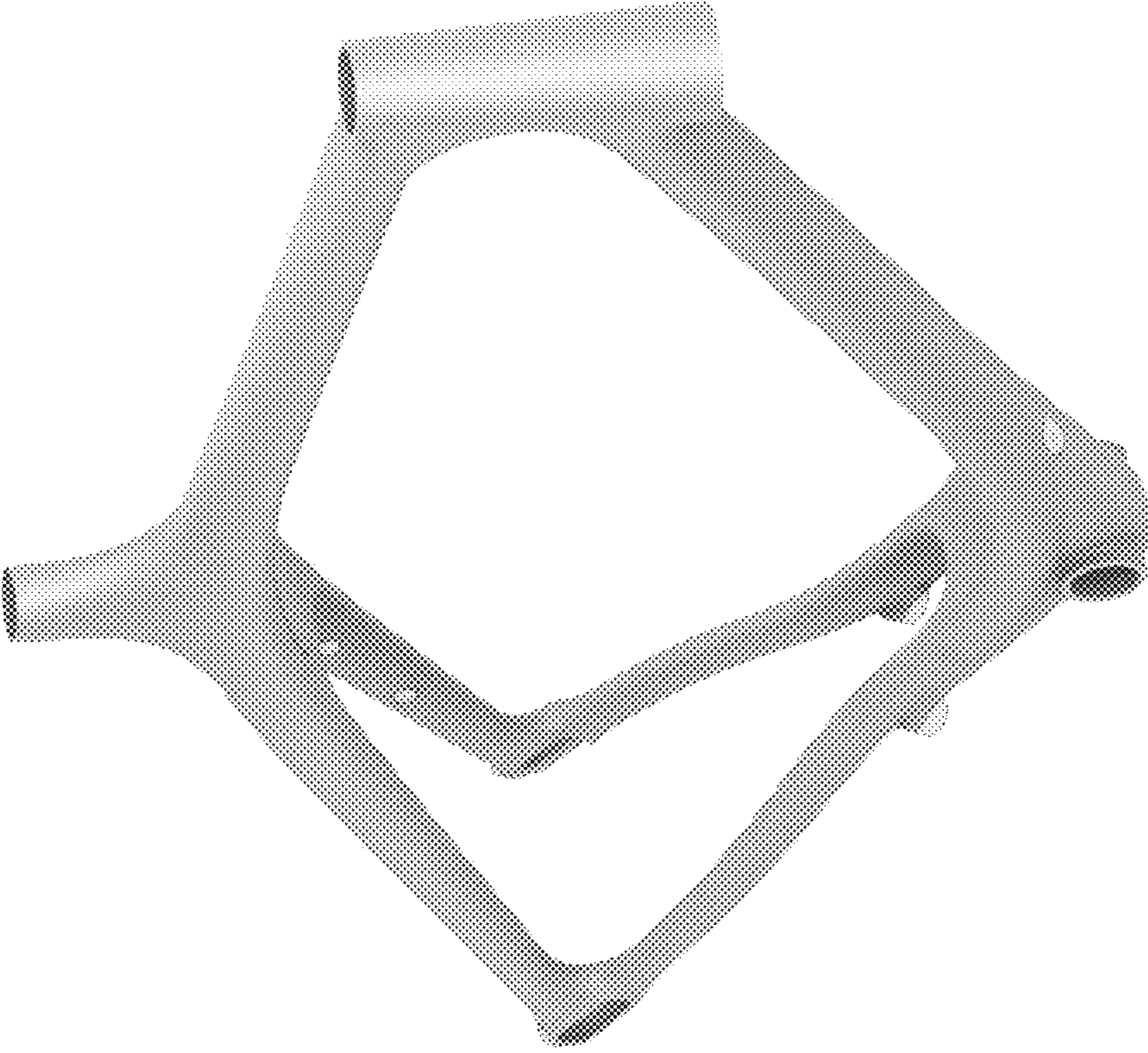


Fig. 9

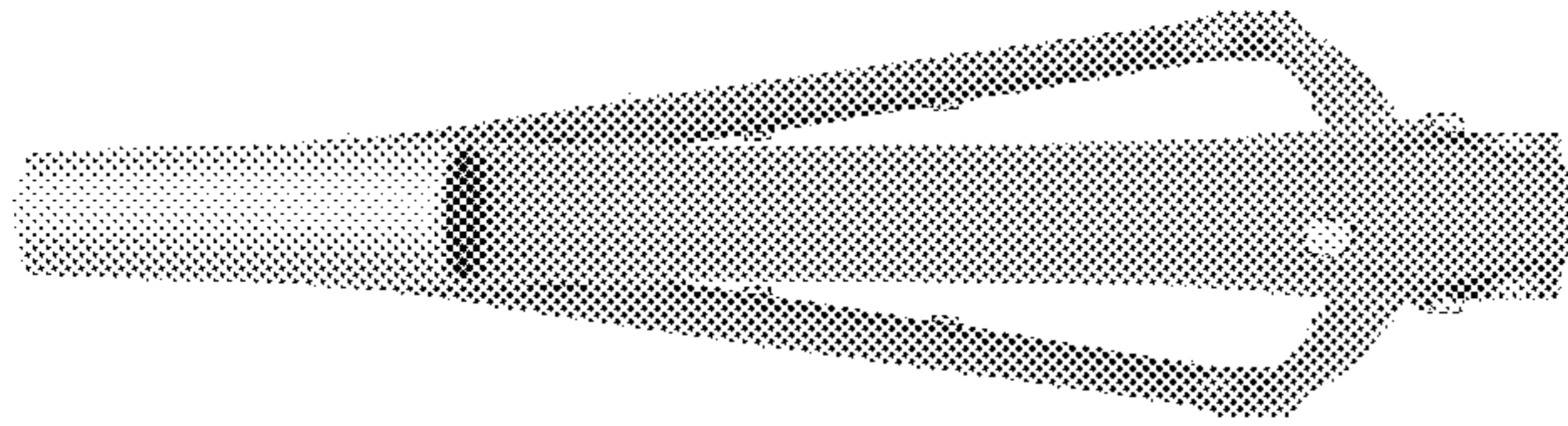


Fig. 10

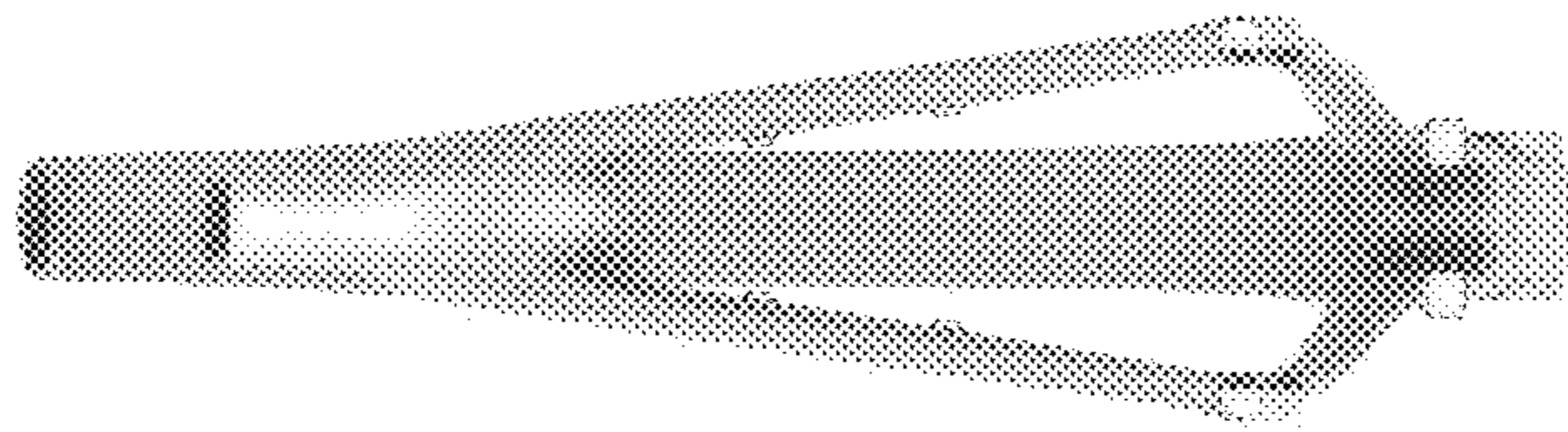


Fig. 11

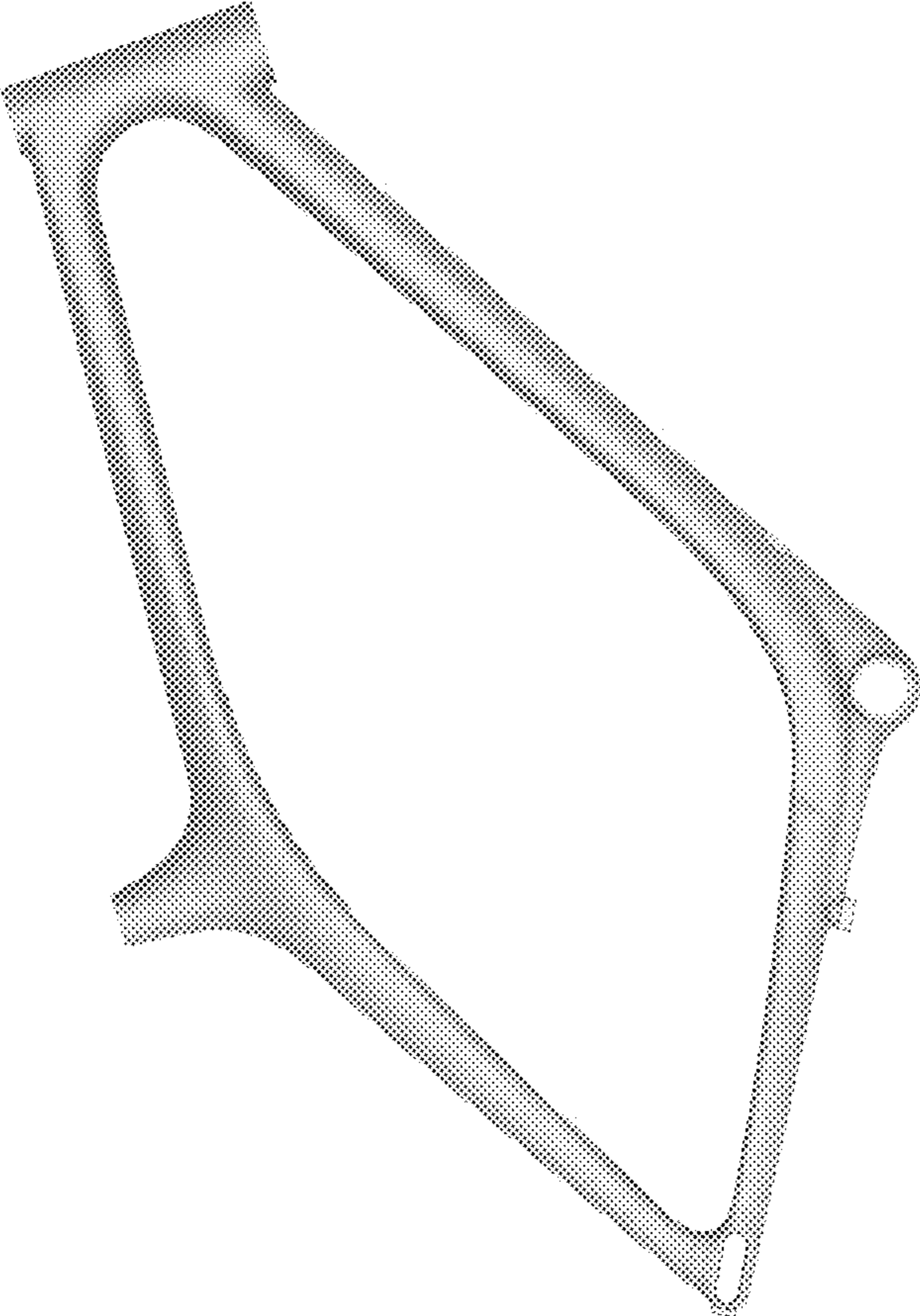


Fig. 12

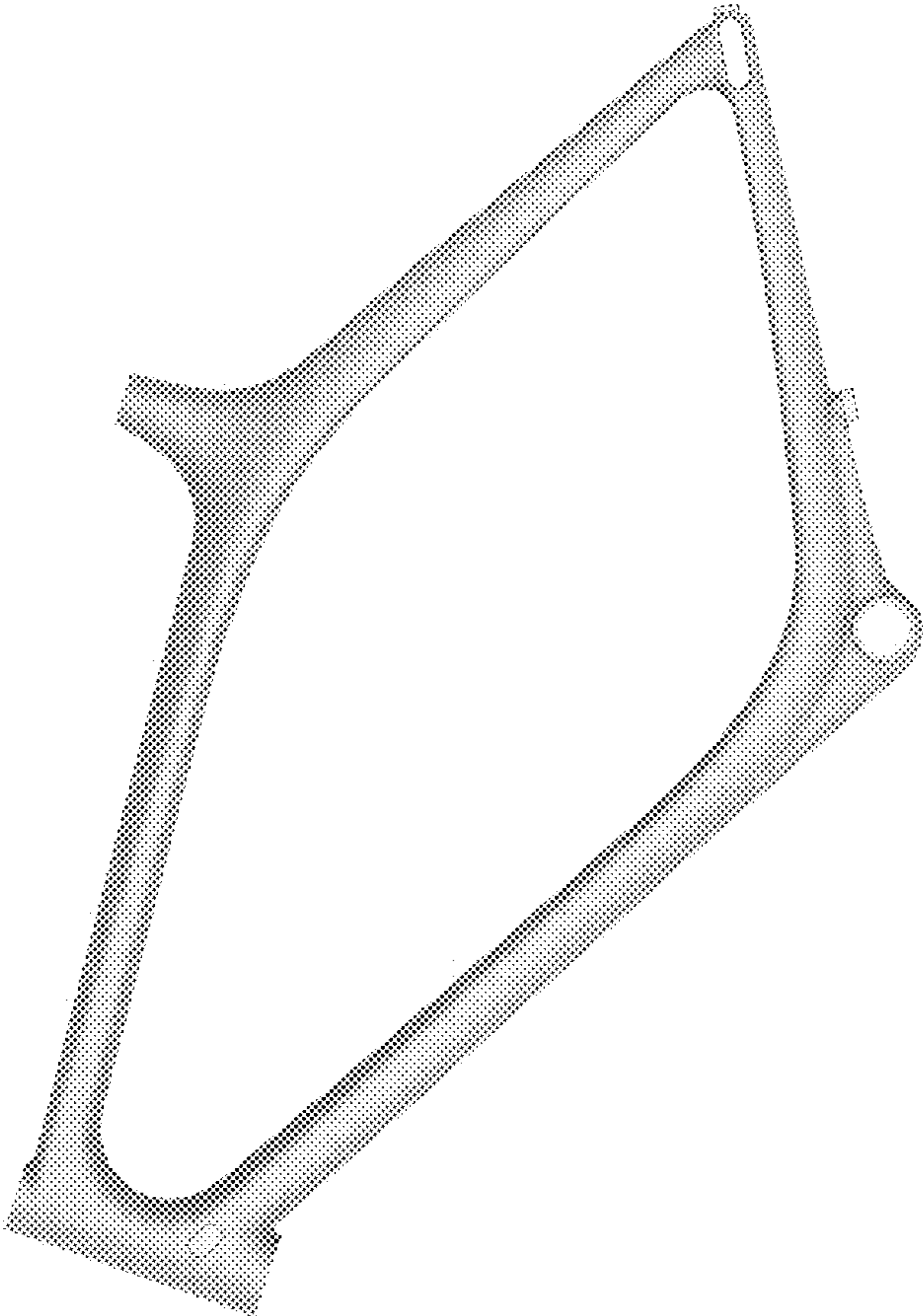


Fig. 13

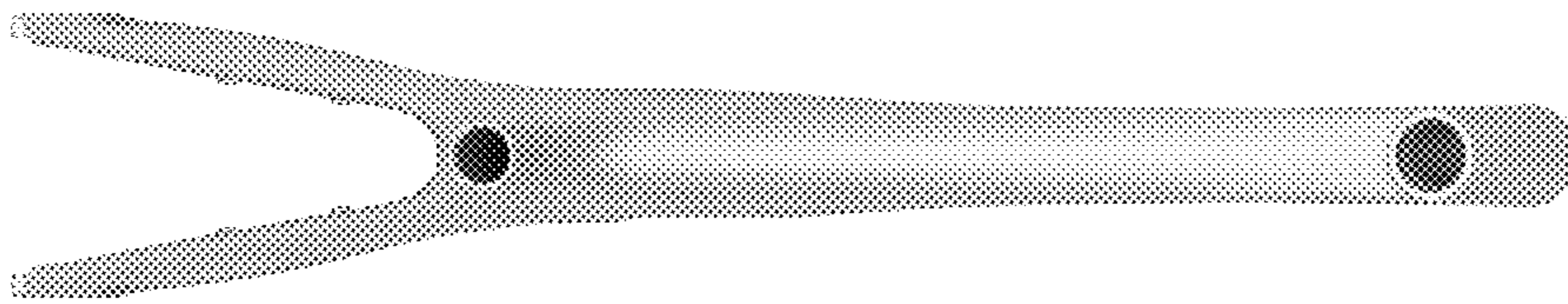


Fig. 14

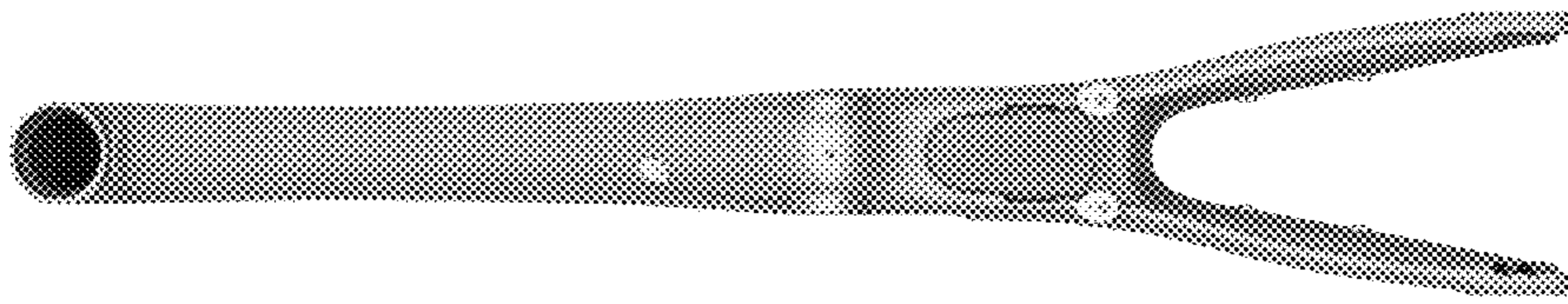


Fig. 15



Fig. 16