



US00D906891S

(12) **United States Design Patent** (10) **Patent No.:** **US D906,891 S**
McFarland (45) **Date of Patent:** **** Jan. 5, 2021**

(54) **FRAME FOR A HIGH-PERFORMANCE
BALANCE BICYCLE**

FOREIGN PATENT DOCUMENTS

(71) Applicant: **Strider Sports International, Inc.**,
Rapid City, SD (US)

CN 201730269482 * 6/2017
CN 201730523611 * 10/2017

(72) Inventor: **Ryan McFarland**, Rapid City, SD (US)

OTHER PUBLICATIONS

(73) Assignee: **Strider Sports Internatonal, Inc.**,
Rapid City, SD (US)

Youtube, Balance Bike: Strider 12 PRO, posted Oct. 12, 2016,
[online], [visited Mar. 11, 2020]. Internet, <URL: <https://www.youtube.com/watch?v=ZIH3Z4v45t4>> (Year: 2016).*
Amazon, HOMCOM Kids Trike, posted Jul. 18, 2018, [online],
[visited Mar. 11, 2020]. Internet, <URL: https://www.amazon.co.uk/HOMCOM-Toddler-Bicycle-Tricycle-Balance/dp/B07FP9P5YS/ref=sr_1_80?keywords=BALANCE+BIKE&qid=1583940574&sr=8-80> (Year: 2018).*

(**) Term: **15 Years**

(21) Appl. No.: **29/659,872**

(22) Filed: **Aug. 13, 2018**

* cited by examiner

(51) **LOC (13) Cl.** **12-11**

(52) **U.S. Cl.**
USPC **D12/111**

(58) **Field of Classification Search**
USPC D12/111, 107, 114, 117, 126, 127, 159;
D21/419, 424, 427, 432, 663, 664, 666,
D21/697, 399

Primary Examiner — Sheryl Lane

Assistant Examiner — Samantha N Wood

(74) *Attorney, Agent, or Firm* — Suiter Swantz pc llo

CPC . B62K 3/00; B62K 3/005; B62K 3/02; B62K
3/04; B62K 11/00; B62K 11/02; B62K
11/10; B62K 11/14; B62K 21/12; B62K
21/16; B62K 21/26; B62K 21/02; B62K
21/04; B62K 21/06; B62K 9/02; B62K
15/006; B62K 2201/04; B62K 19/02;
B62K 19/08; B62K 19/16; B62K 25/04;
B62K 25/08; B62K 25/16; B62K 25/30

See application file for complete search history.

(56) **References Cited**

U.S. PATENT DOCUMENTS

5,054,802 A * 10/1991 Smith B62K 19/06
280/279
D625,932 S * 10/2010 Jessie, Jr. D6/354
D629,049 S 12/2010 McFarland
D666,946 S * 9/2012 Uimonen D12/111
D695,847 S * 12/2013 Liu D12/111
D725,553 S * 3/2015 Lawson D12/111
D735,619 S * 8/2015 Lawson D12/111
D776,014 S * 1/2017 Silva D12/111

(57) **CLAIM**

The ornamental design for a frame for a high-performance balance bicycle, as shown and described.

DESCRIPTION

FIG. 1 is a perspective view of a frame for a high-performance balance bicycle.

FIG. 2 is a first side view thereof;

FIG. 3 is a second side view thereof;

FIG. 4 is a bottom view thereof;

FIG. 5 is a top view thereof;

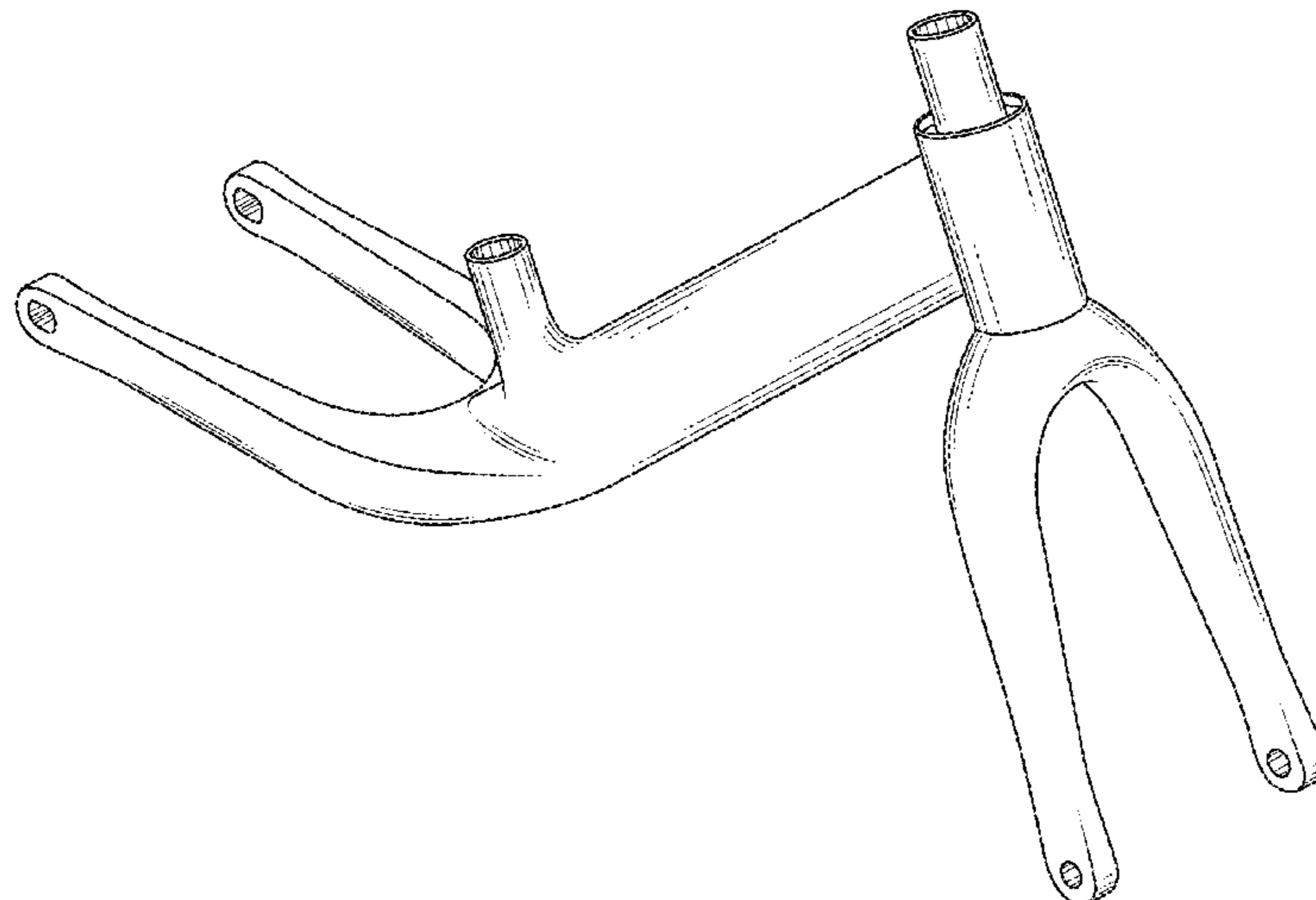
FIG. 6 is a rear view thereof;

FIG. 7 is a front view thereof; and,

FIG. 8 is a perspective view thereof shown in an exemplary environment.

The broken lines are included for the purpose of illustrating the environment structure and form no part of the claimed design.

1 Claim, 8 Drawing Sheets



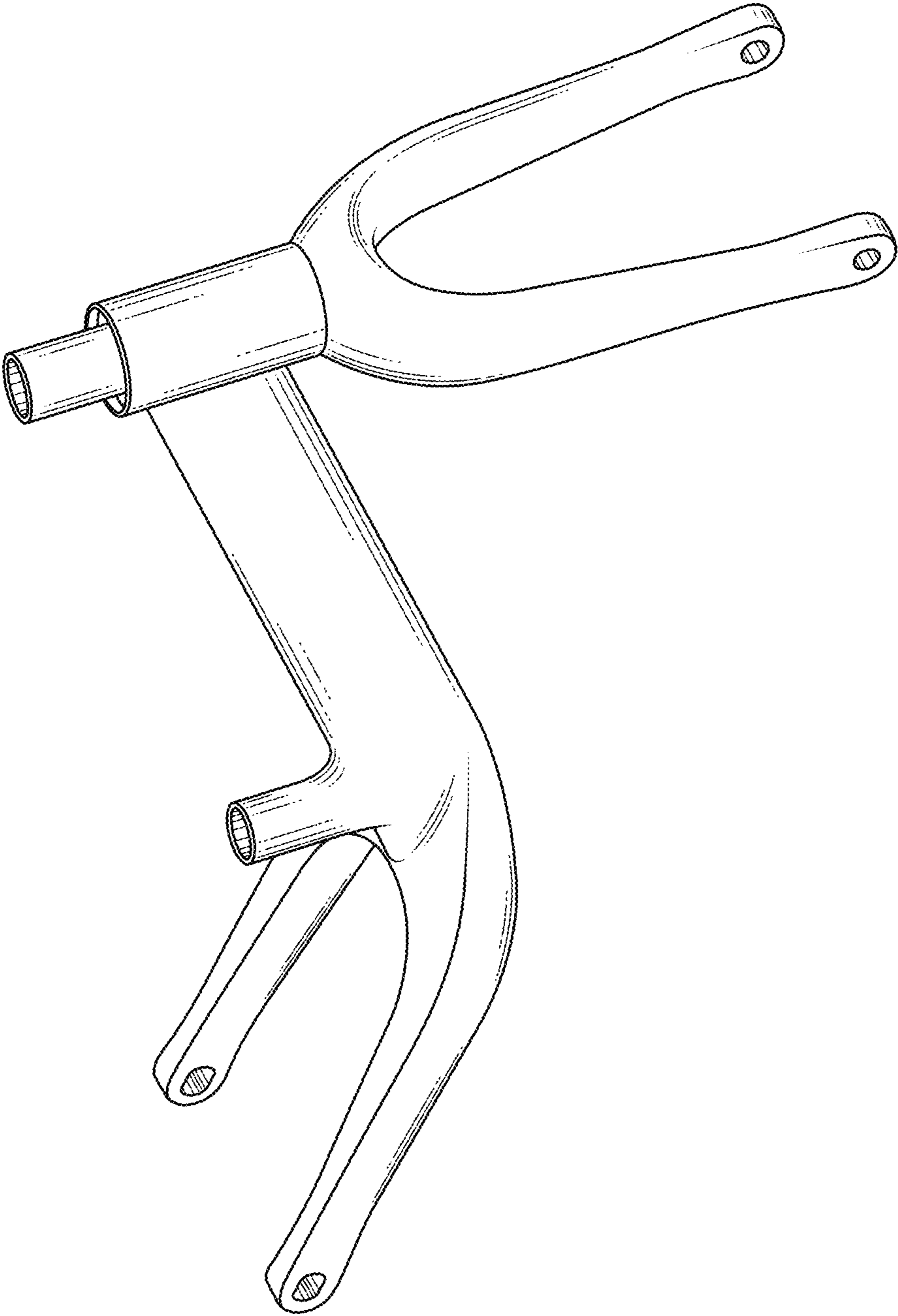


FIG.1

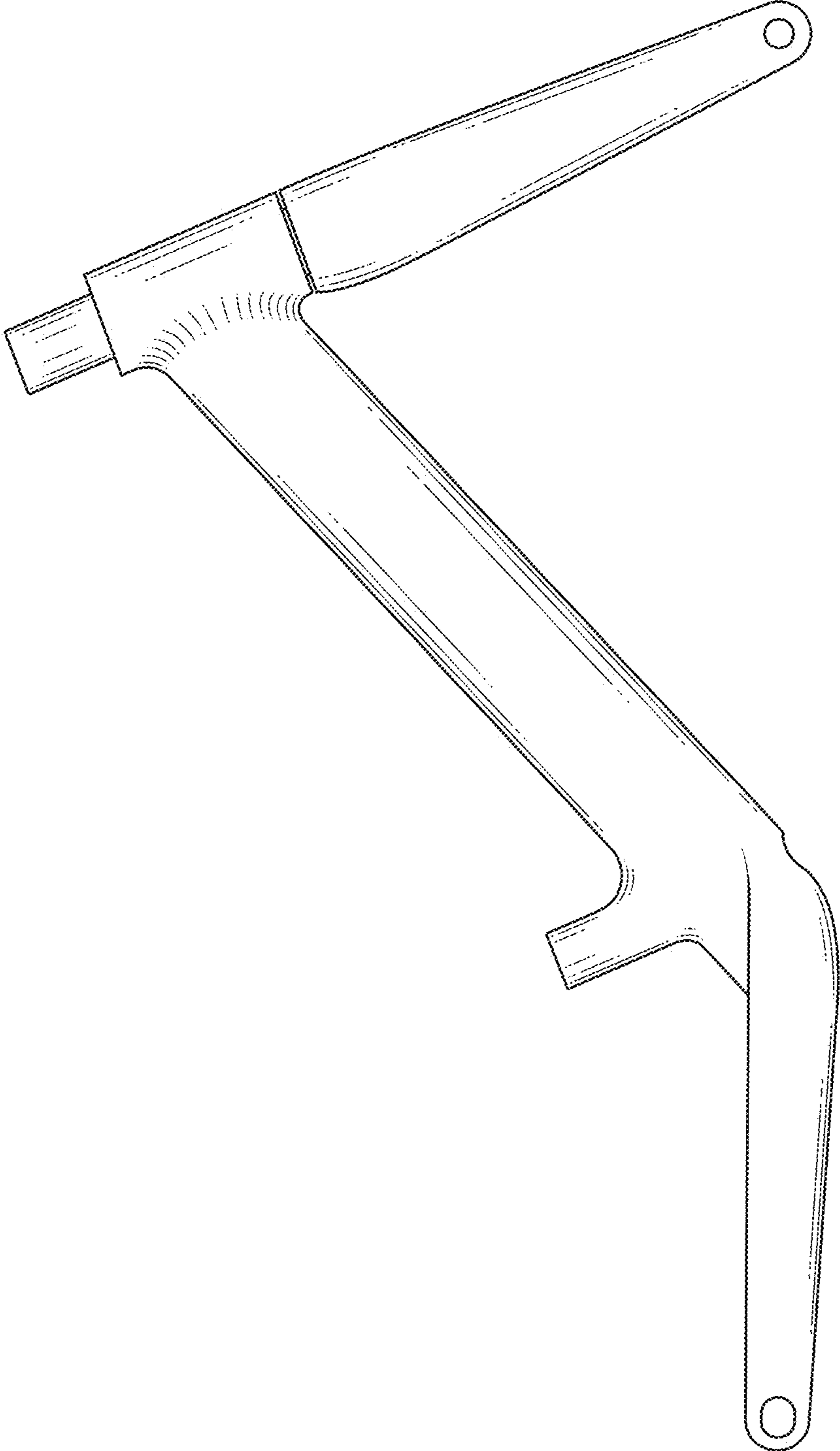


FIG.2

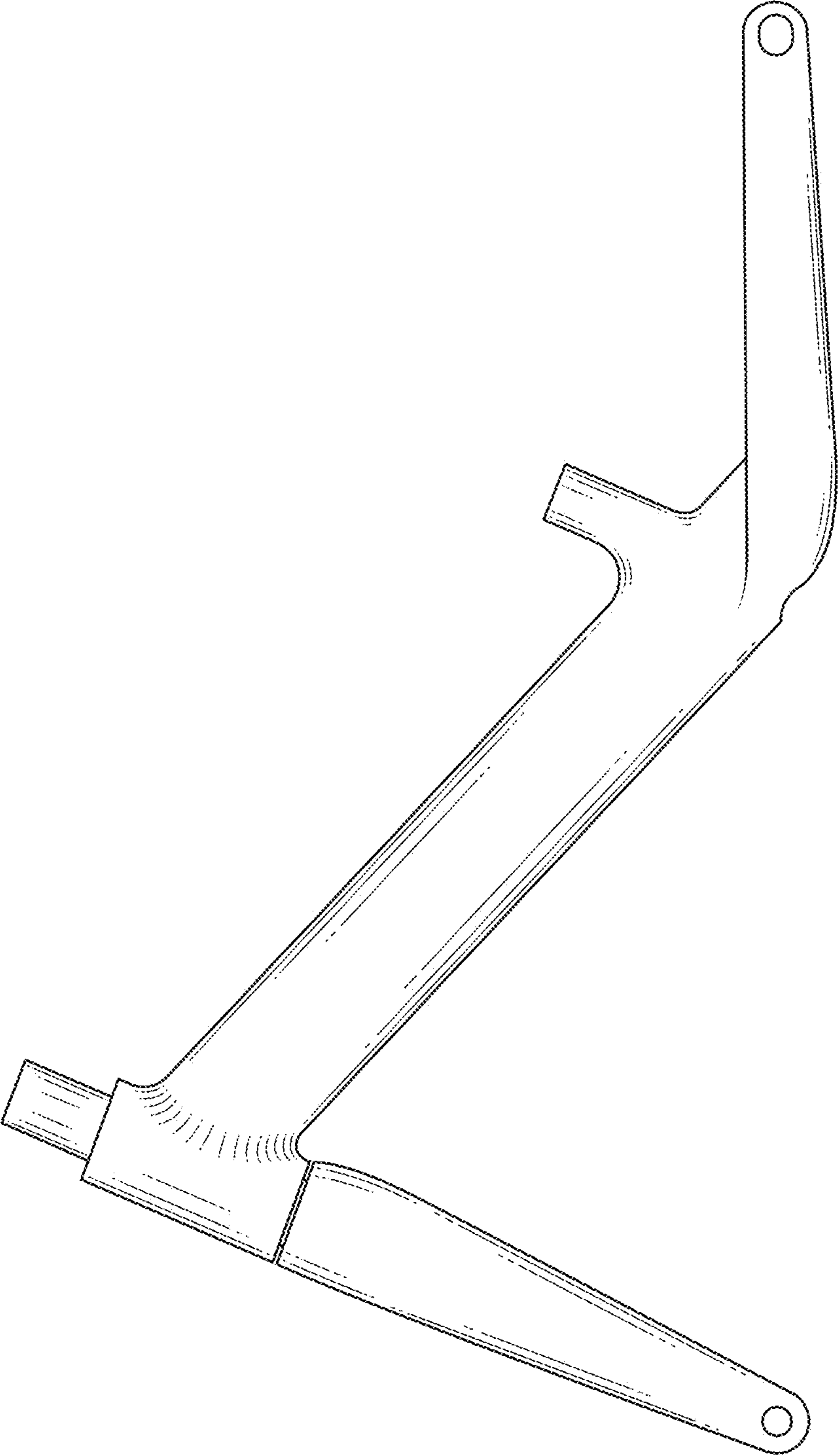


FIG. 3

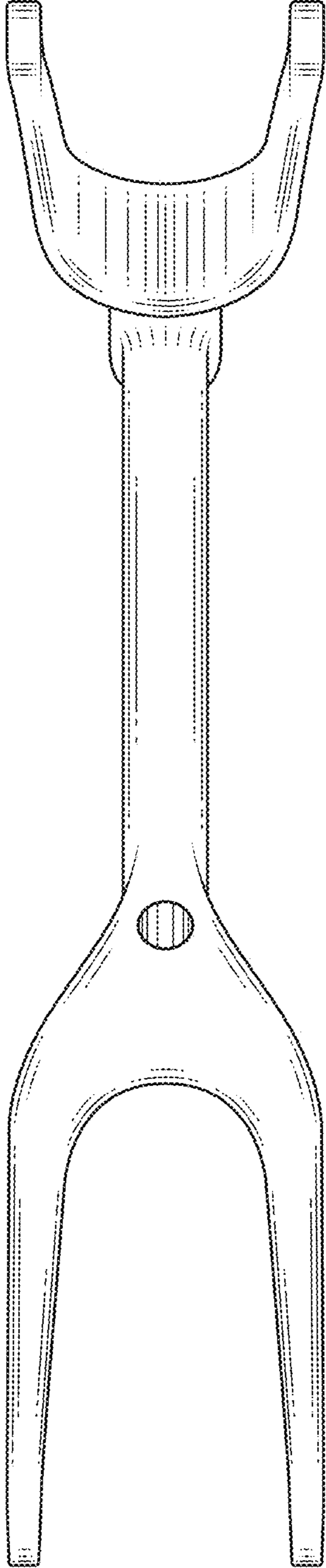


FIG.4

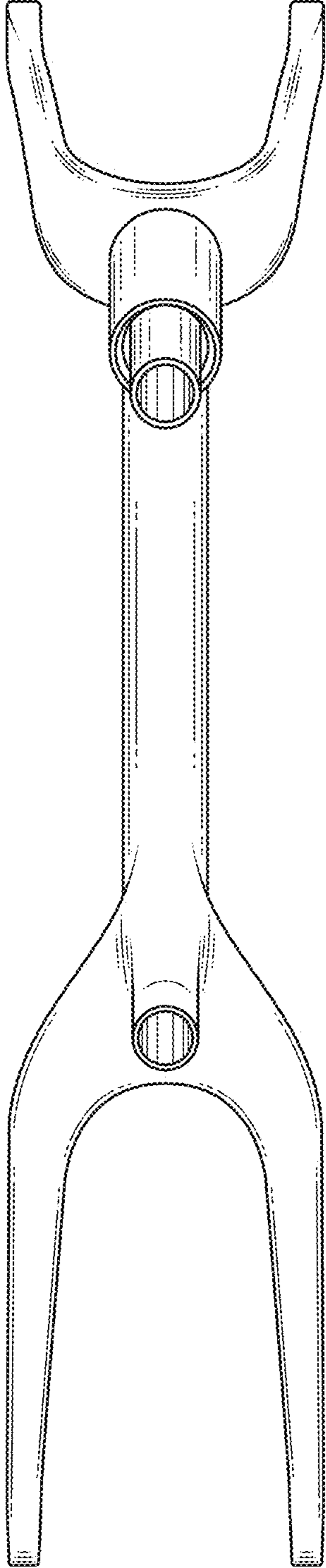


FIG. 5

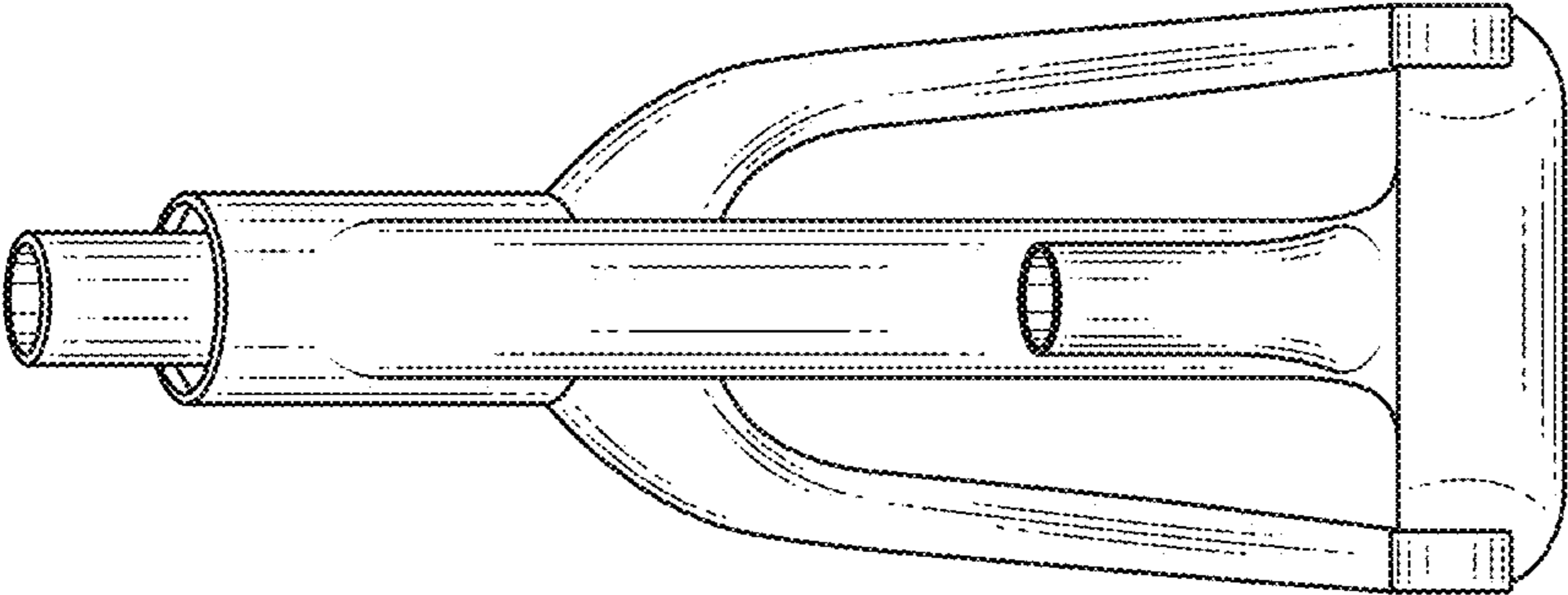


FIG. 6

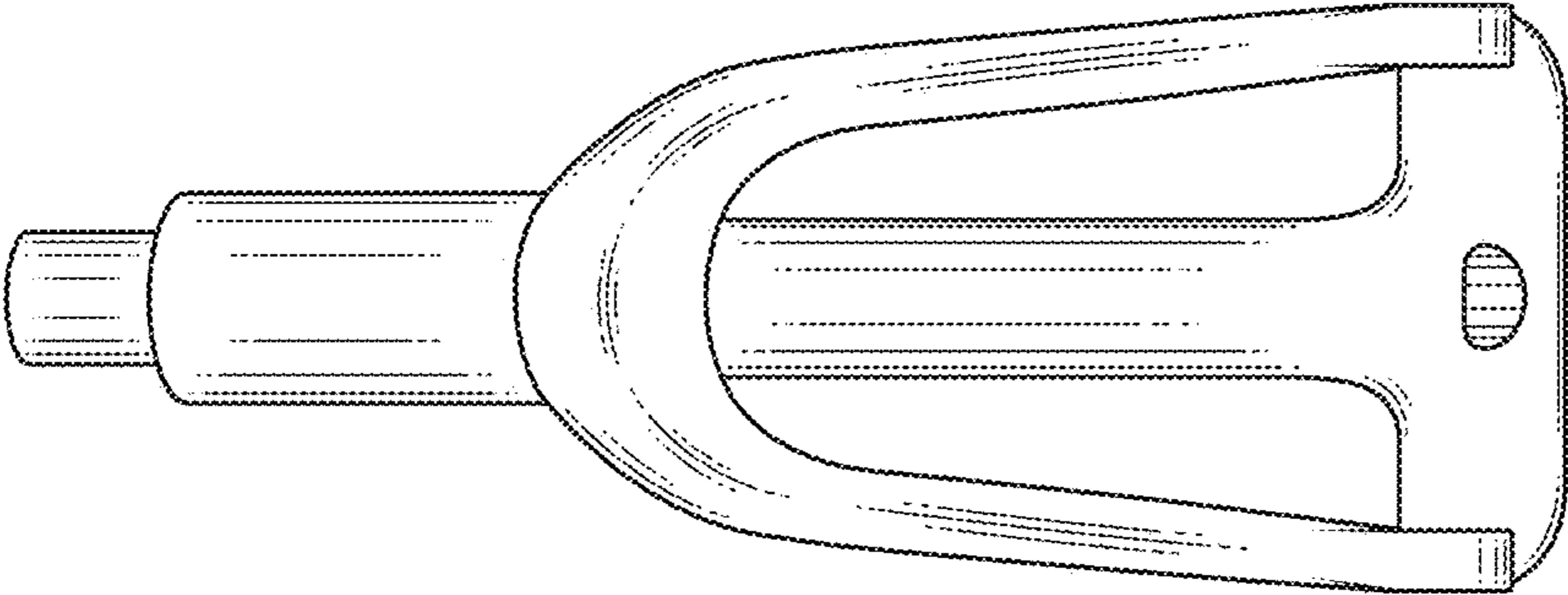


FIG. 7

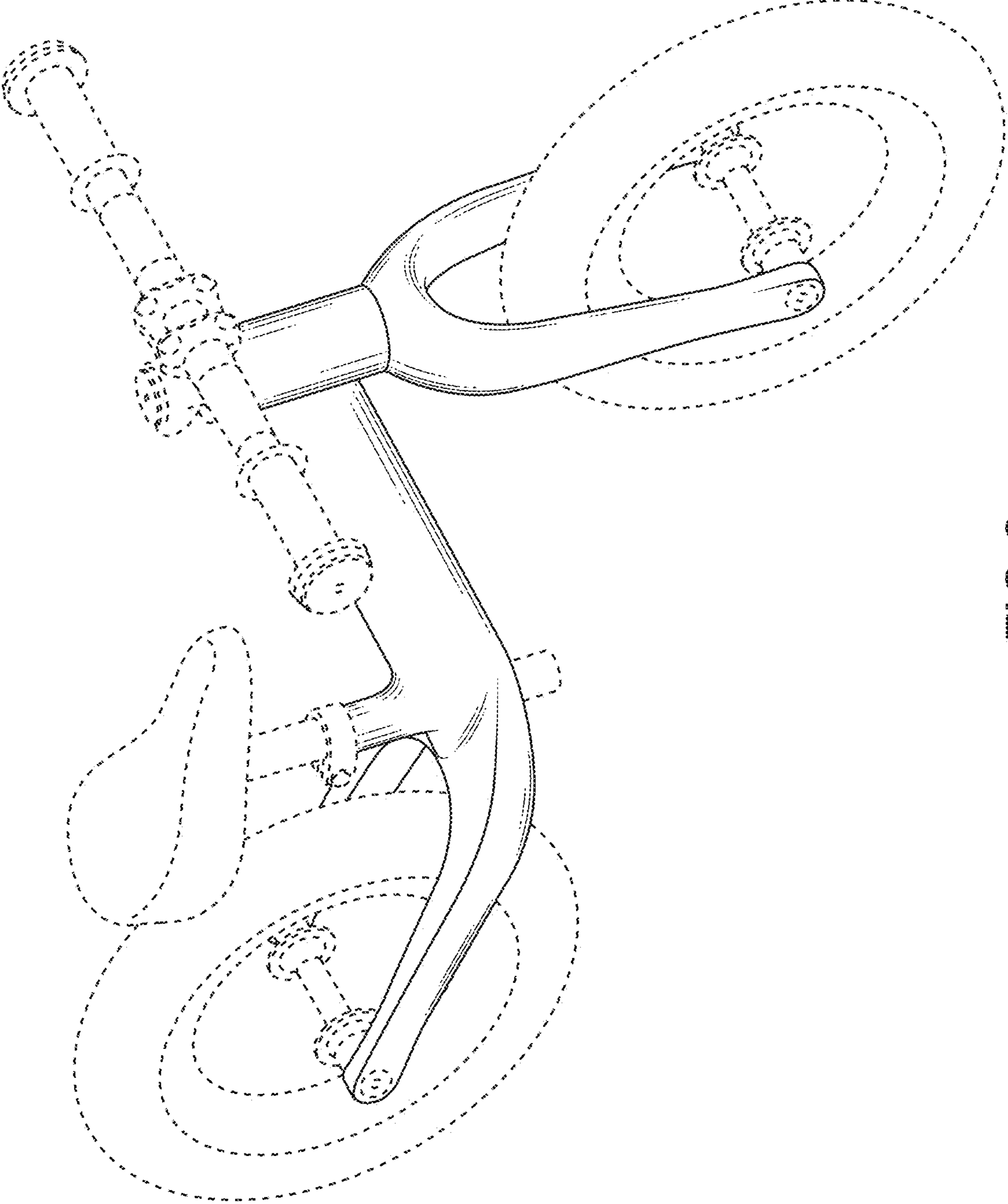


FIG. 8