



US00D906881S

(12) **United States Design Patent**
Chen et al.

(10) **Patent No.:** **US D906,881 S**
(45) **Date of Patent:** **** Jan. 5, 2021**

(54) **AERIAL VEHICLE**

(71) Applicant: **SZ DJI Technology Co., Ltd.**,
Shenzhen (CN)

(72) Inventors: **Shaojie Chen**, Shenzhen (CN); **Yumian Deng**, Shenzhen (CN)

(73) Assignee: **SZ DJI Technology Co., Ltd.**,
Shenzhen (CN)

(**) Term: **15 Years**

(21) Appl. No.: **29/669,041**

(22) Filed: **Nov. 5, 2018**

Related U.S. Application Data

(63) Continuation of application No. 29/592,589, filed on Jan. 31, 2017, now Pat. No. Des. 852,673, which is a continuation of application No. 29/555,483, filed on Feb. 22, 2016, now Pat. No. Des. 814,970.

(51) **LOC (13) Cl.** **12-07**

(52) **U.S. Cl.**
USPC **D12/16.1; D21/441**

(58) **Field of Classification Search**
USPC D12/16.1, 319, 323, 326, 335, 345, 327, D12/328, 329, 330, 343, 331, 344; D21/441, 453, 436, 438, 440, 442, 443, D21/446, 447, 448, 449, 450, 451
CPC B64C 39/024; B64C 39/00; B64C 27/08; B64C 2201/024; B64C 2201/00; B64C 2201/021; B64C 2201/12; B64C 2201/123; B64C 2201/146; B64C 1/00; B64C 3/10; B64C 11/16; B64C 2203/00
See application file for complete search history.

(56) **References Cited**

U.S. PATENT DOCUMENTS

D648,808 S 11/2011 Seydoux et al.
D695,674 S 12/2013 Nolan et al.

D710,452 S 8/2014 Barajas et al.
D710,454 S 8/2014 Barajas et al.
D741,779 S 10/2015 Hsiao et al.
9,296,477 B1 3/2016 Coburn

(Continued)

FOREIGN PATENT DOCUMENTS

CN 302790451 S 4/2014
CN 302814372 S 5/2014

(Continued)

OTHER PUBLICATIONS

Mavic, posted at DJI.com, posted on© 2017, site visited Apr. 11, 2017, <<http://www.dji.com/mavic>>.

(Continued)

Primary Examiner — Dana K Weiland

Assistant Examiner — Messina L Smith

(74) *Attorney, Agent, or Firm* — Sterne, Kessler, Goldstein & Fox P.L.L.C.

(57) **CLAIM**

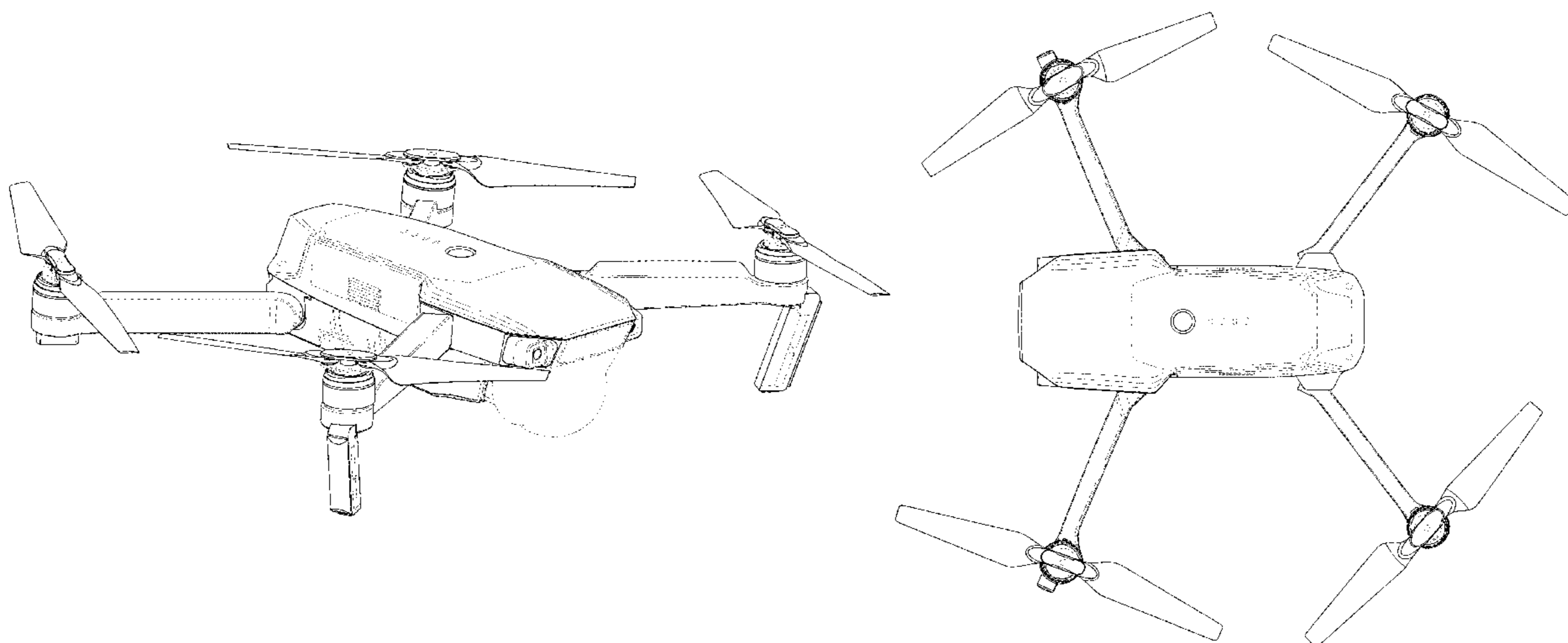
The ornamental design for an aerial vehicle, as shown and described.

DESCRIPTION

FIG. 1 is a top front perspective view of an aerial vehicle showing the claimed design;
FIG. 2 is a front view thereof;
FIG. 3 is a rear view thereof;
FIG. 4 is a left side view thereof;
FIG. 5 is a right side view thereof;
FIG. 6 is a top view thereof; and,
FIG. 7 is a bottom view thereof.

The dashed broken lines in the figures show portions of the aerial vehicle that form no part of the claimed design.
The shade lines in the figures show contour and not surface ornamentation.

1 Claim, 7 Drawing Sheets



(56)

References Cited

U.S. PATENT DOCUMENTS

D768,539 S 10/2016 Lee
 D768,789 S 10/2016 Fargeau et al.
 D772,991 S 11/2016 Caubel et al.
 D777,263 S 1/2017 Lavagen et al.
 D782,365 S 3/2017 Hung
 9,663,236 B1 5/2017 Shiosaki et al.
 D793,486 S 8/2017 Lee et al.
 D795,741 S 8/2017 Li
 D795,742 S 8/2017 Li
 D795,743 S 8/2017 Li
 D797,602 S 9/2017 Li
 D803,328 S 11/2017 Lee
 D805,431 S 12/2017 Li
 D808,301 S 1/2018 Goldy
 9,896,195 B2 2/2018 Ou
 D813,724 S 3/2018 Hu
 D814,970 S 4/2018 Chen et al.
 D814,973 S 4/2018 Li
 D816,582 S 5/2018 Liang et al.
 D818,872 S 5/2018 Ho
 D818,874 S 5/2018 Tian et al.
 D819,749 S 6/2018 Caubel et al.
 10,037,028 B2 7/2018 Loianno et al.
 D825,379 S 8/2018 Gury et al.
 D825,381 S 8/2018 Meugnier et al.
 D827,723 S 9/2018 Barajas et al.
 D827,724 S 9/2018 Barajas et al.
 D828,222 S 9/2018 Yu
 D830,946 S 10/2018 Matus
 D843,267 S * 3/2019 Gao D12/16.1
 D849,154 S 5/2019 Zhao
 D850,978 S 6/2019 Gao
 10,317,915 B2 6/2019 Tankersley
 D852,673 S 7/2019 Chen et al.
 D853,279 S 7/2019 Gan
 D853,312 S 7/2019 Gao
 D854,448 S 7/2019 Chen et al.
 10,336,451 B2 7/2019 Saika et al.
 D855,705 S 8/2019 Zhao
 D856,848 S 8/2019 Kim et al.
 D857,105 S 8/2019 Zhang
 10,377,484 B2 8/2019 Taylor et al.
 D858,352 S 9/2019 Gan
 D860,047 S 9/2019 Gan
 D860,048 S 9/2019 Caubel et al.
 10,418,853 B2 9/2019 Yang et al.
 D861,573 S 10/2019 He et al.
 D862,285 S 10/2019 Tompkin
 D862,359 S 10/2019 Chen et al.
 D862,360 S 10/2019 Liang et al.
 D864,022 S 10/2019 Gan
 D864,083 S 10/2019 Zhou
 D866,396 S 11/2019 Chen et al.
 D867,470 S 11/2019 Haley
 10,491,272 B2 11/2019 Gasnier et al.
 D869,375 S 12/2019 Kim et al.
 D870,638 S 12/2019 Kuanliang et al.
 10,507,671 B1 12/2019 Wang et al.
 D872,004 S 1/2020 Nunes
 D873,175 S 1/2020 Li
 D874,338 S 2/2020 Zhao
 10,551,833 B2 2/2020 Kim et al.
 D881,067 S * 4/2020 Zhou D12/16.1
 D882,460 S * 4/2020 Chen D12/16.1
 D883,140 S * 5/2020 Chen D12/16.1
 D884,554 S * 5/2020 Chen D12/16.1
 10,661,891 B2 * 5/2020 Baek B64C 27/48
 10,683,089 B2 * 6/2020 Matus B64C 39/024
 2010/0224721 A1 9/2010 Wood et al.
 2015/0336670 A1 11/2015 Zhang
 2016/0001879 A1 * 1/2016 Johannesson B64C 27/50
 416/142
 2016/0062364 A1 3/2016 Foinet et al.
 2016/0122017 A1 5/2016 Welker et al.
 2016/0236777 A1 8/2016 Tang

2016/0313732 A1 10/2016 Seydoux et al.
 2016/0313742 A1 10/2016 Wang
 2017/0001721 A1 1/2017 Saika et al.
 2017/0015418 A1 * 1/2017 Matus B64C 39/024
 2017/0078552 A1 3/2017 Pochon et al.
 2017/0178618 A1 * 6/2017 Beckman B64C 11/20
 2017/0183074 A1 6/2017 Hutson et al.
 2018/0002023 A1 * 1/2018 Tian B64C 39/024
 2018/0016022 A1 1/2018 Ljung
 2018/0032087 A1 2/2018 Liné
 2018/0050799 A1 2/2018 Erhart et al.
 2018/0093781 A1 4/2018 Mallinson
 2018/0095468 A1 4/2018 Yang et al.
 2018/0111685 A1 4/2018 Tian et al.
 2018/0129913 A1 5/2018 Vauchier et al.
 2018/0143636 A1 5/2018 Pinto
 2018/0149947 A1 5/2018 Kim
 2018/0183496 A1 6/2018 Gasnier et al.
 2018/0208301 A1 7/2018 Ye
 2019/0039719 A1 * 2/2019 Baek B64C 39/024
 2019/0130889 A1 5/2019 Matus, Jr. et al.
 2019/0135432 A1 5/2019 Matus
 2019/0144100 A1 5/2019 Samir
 2019/0161178 A1 5/2019 Lin et al.
 2019/0185169 A1 6/2019 Xu et al.
 2019/0210720 A1 7/2019 Beckman et al.
 2019/0217939 A1 7/2019 Xiong et al.
 2019/0241259 A1 8/2019 Tsutsumi et al.
 2019/0248486 A1 8/2019 Chen et al.
 2019/0256203 A1 8/2019 Park
 2019/0258139 A1 8/2019 Overall et al.
 2019/0263530 A1 8/2019 Pike
 2019/0303990 A1 10/2019 Quinn
 2019/0315235 A1 10/2019 Kung
 2019/0322342 A1 10/2019 Dabbous et al.
 2019/0324447 A1 10/2019 Ryan
 2019/0337618 A1 11/2019 Zhou et al.
 2019/0344679 A1 11/2019 Miller et al.
 2019/0344889 A1 11/2019 Saika et al.
 2019/0346562 A1 11/2019 Peng et al.
 2019/0367167 A1 12/2019 Luo et al.
 2019/0375510 A1 12/2019 Qiu et al.
 2020/0001990 A1 1/2020 Jiang et al.
 2020/0023964 A1 1/2020 Valente et al.
 2020/0023995 A1 1/2020 Song et al.
 2020/0031471 A1 1/2020 Datta Gupta et al.
 2020/0041623 A1 2/2020 Keyetieu et al.
 2020/0041996 A1 2/2020 Bachrach et al.
 2020/0043184 A1 2/2020 Zhang
 2020/0044463 A1 2/2020 Kim et al.
 2020/0062393 A1 * 2/2020 Yoon G05D 1/101
 2020/0102061 A1 * 4/2020 Cai B64C 1/00
 2020/0108914 A1 * 4/2020 Yoo G05D 1/0808
 2020/0148350 A1 * 5/2020 Nong B64D 47/08
 2020/0156789 A1 * 5/2020 Xiao B64C 1/06
 2020/0164957 A1 * 5/2020 Xu B64C 1/30
 2020/0165008 A1 * 5/2020 Krauss B64F 1/007
 2020/0184706 A1 * 6/2020 Speasl H04L 9/14
 2020/0184829 A1 * 6/2020 Jager G08G 5/0021

FOREIGN PATENT DOCUMENTS

CN 302948755 S 9/2014
 CN 303142773 S 3/2015
 CN 303189591 S 4/2015
 CN 303197220 S 5/2015
 CN 303255986 S 6/2015
 CN 303274617 S 7/2015
 CN 303357300 S 9/2015
 CN 303386206 S 9/2015
 CN 303403033 S 10/2015
 CN 303414891 S 10/2015
 CN 303478219 S 12/2015
 CN 303491327 S 12/2015
 CN 303562865 S 1/2016
 CN 303562867 S 1/2016
 CN 205971800 U 2/2017
 CN 205998124 U 3/2017
 JP D1498091 5/2014

(56)

References Cited

FOREIGN PATENT DOCUMENTS

JP	D1538530	11/2015
KR	30-0819718	10/2015
WO	WO 2010-036419 A2	4/2010
WO	WO D088991-0002	1/2016

OTHER PUBLICATIONS

DJI Mavic Pro review, posted on CNET.com, posted on Nov. 12, 2016, site visited Apr. 11, 2017, <<https://www.cnet.com/products/dji-mavic-pro/review/>>.

The DJI Mavic Is Here!, posted at Topfivedrones.com, posted on Sep. 29, 2016, <<http://topfivedrones.com/the-dji-mavic-is-here/>>.

* cited by examiner

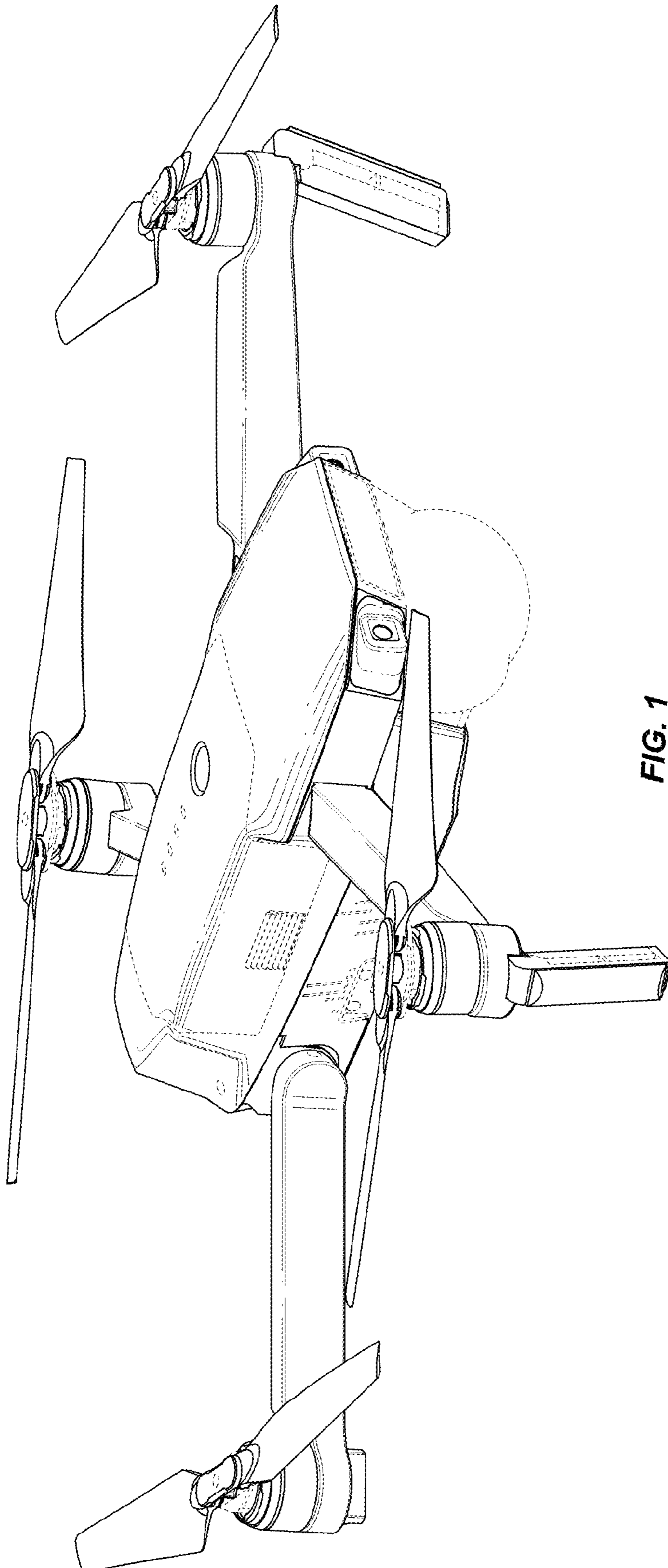


FIG. 1

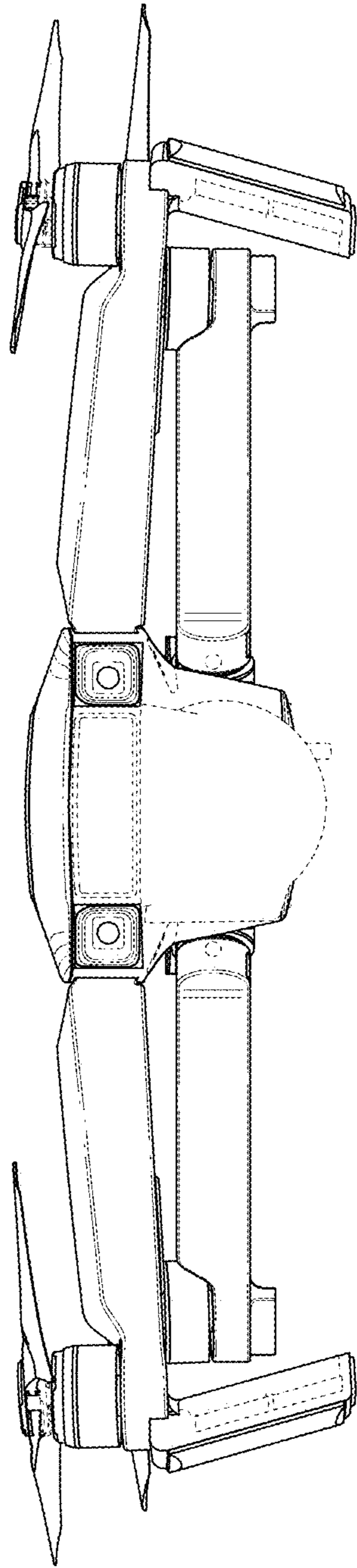


FIG. 2

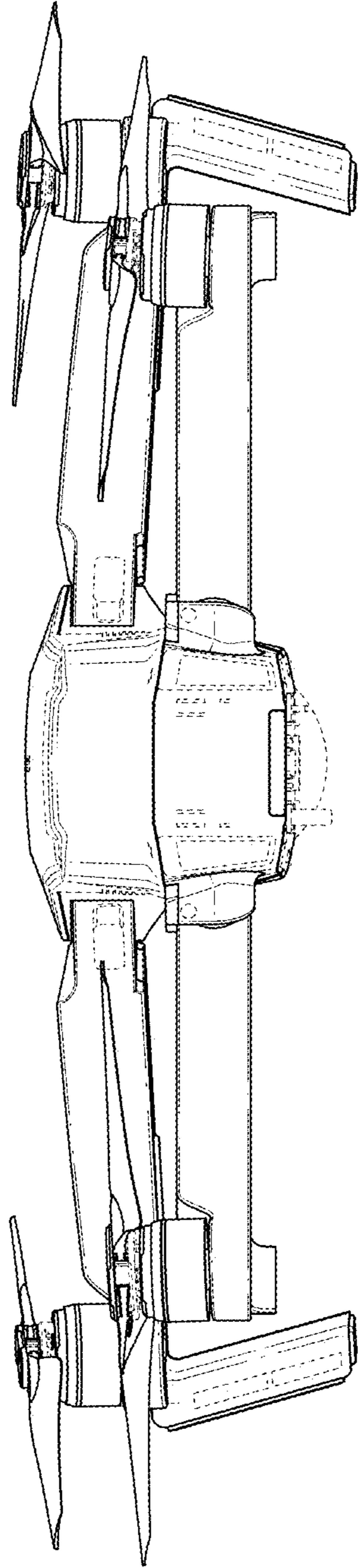


FIG. 3

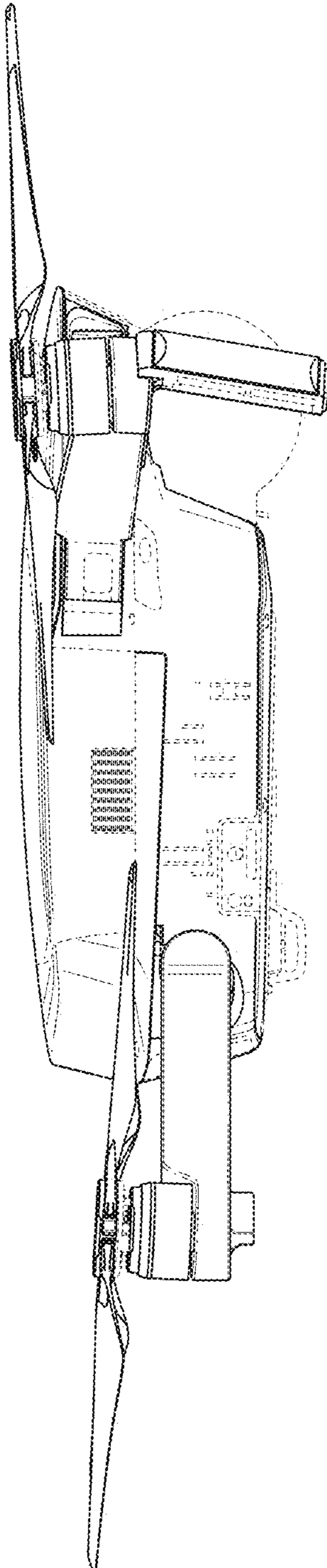


FIG. 4

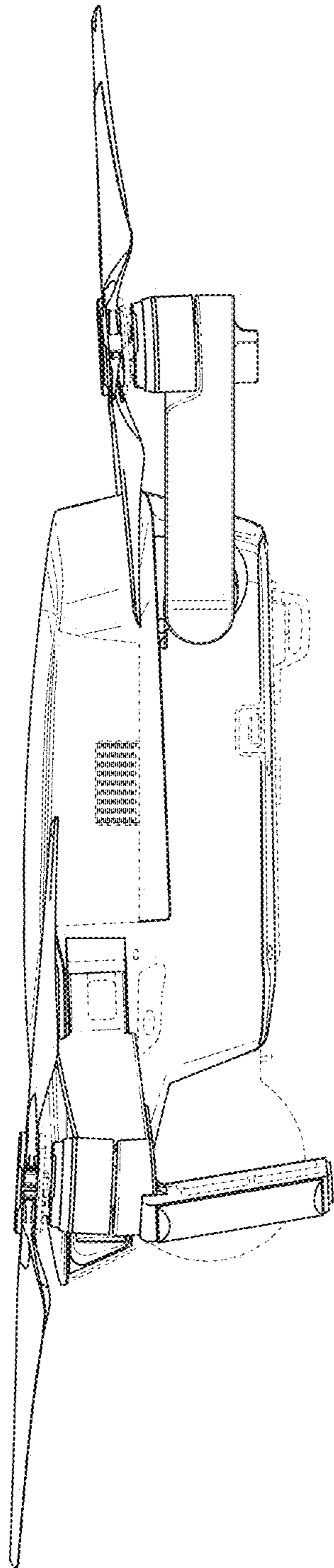


FIG. 5

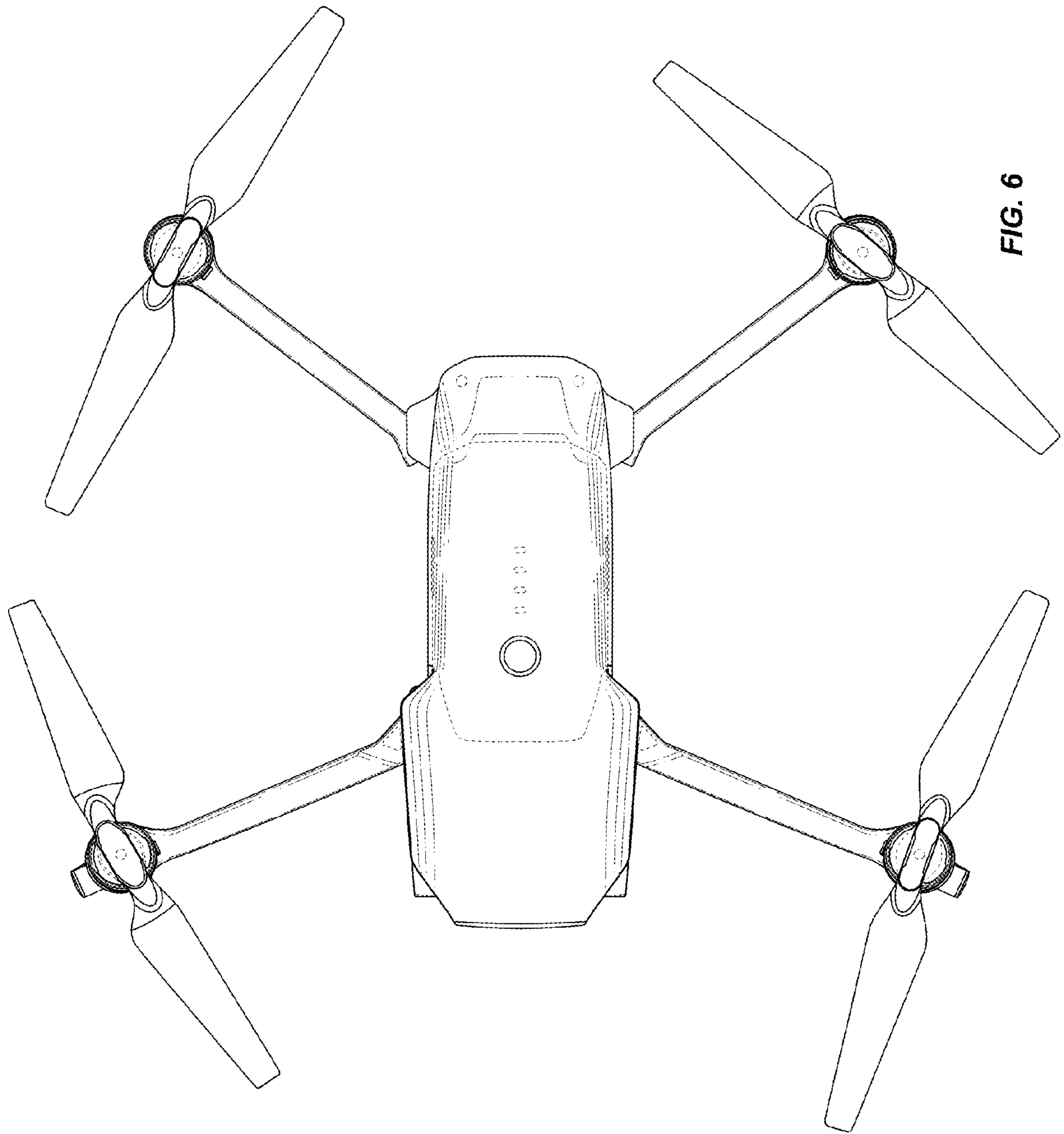


FIG. 6

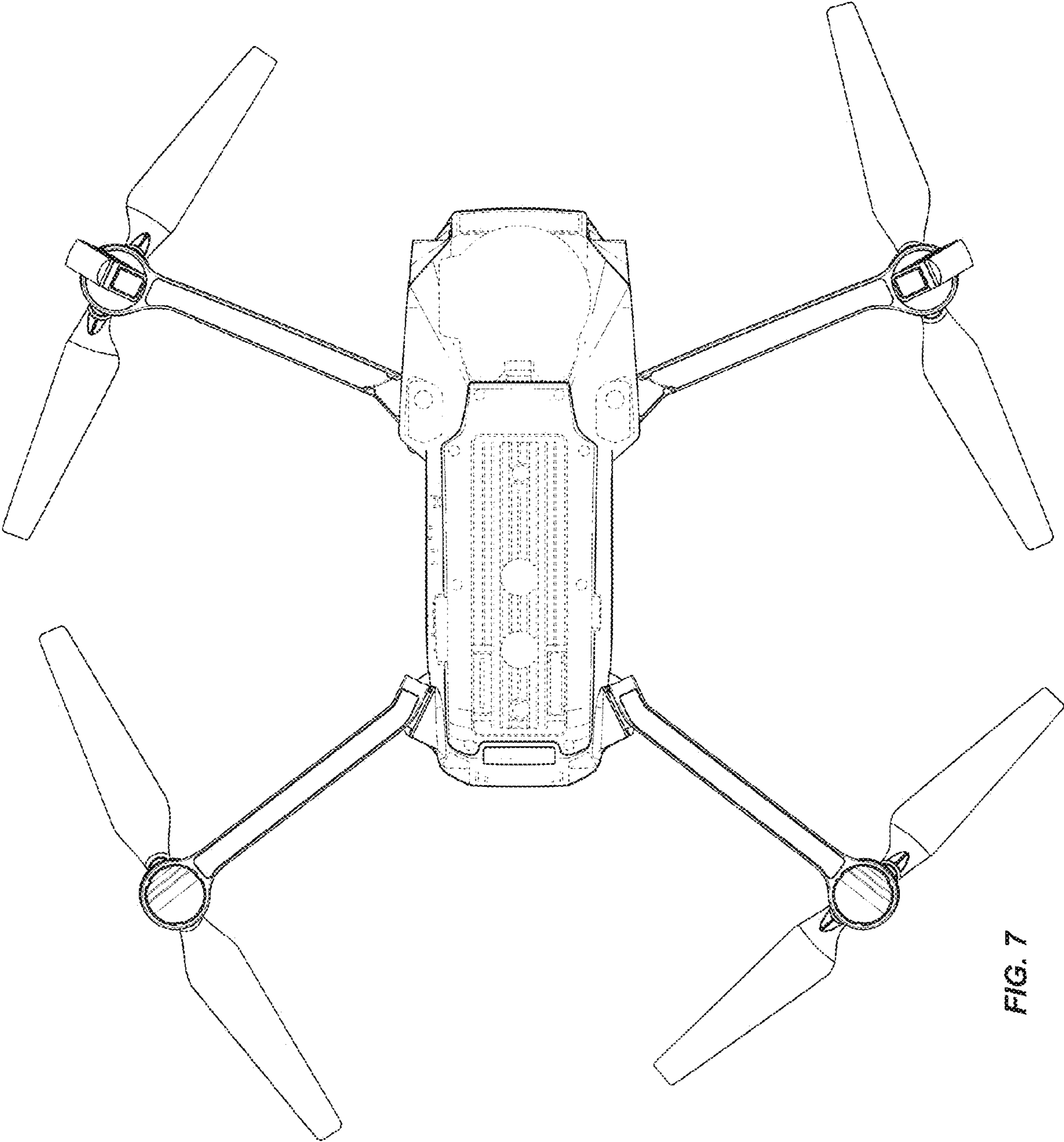


FIG. 7