



US00D906878S

(12) **United States Design Patent** (10) **Patent No.:** **US D906,878 S**
Lu (45) **Date of Patent:** **** Jan. 5, 2021**

(54) **PAIR OF ZIPPER TEETH**
(71) Applicant: **Linsong Lu, Yixing (CN)**
(72) Inventor: **Linsong Lu, Yixing (CN)**
(73) Assignee: **Yixing Delin Garments Technology Co., Ltd.**
(**) Term: **15 Years**
(21) Appl. No.: **29/688,393**
(22) Filed: **Apr. 21, 2019**
(51) **LOC (13) Cl.** **02-07**
(52) **U.S. Cl.**
USPC **D11/221**
(58) **Field of Classification Search**
USPC D11/200, 201, 221; D2/607, 732
CPC A44B 19/00; A44B 19/10; A44B 19/26;
A44B 19/262; A44B 19/32; A44B 19/24;
A44B 19/308; A44B 19/36; A44B 19/42;
A44B 19/34; A44B 19/04; A44B 19/60;
A44B 19/06; A44B 19/403; A44B 19/02;
A44B 19/08; A44B 19/12
See application file for complete search history.

(56) **References Cited**
U.S. PATENT DOCUMENTS
3,259,476 A * 7/1966 Hair A44B 19/403
428/571
3,885,275 A * 5/1975 Hasegawa A44B 19/34
24/414
4,055,882 A * 11/1977 Yoshida A44B 19/06
29/410
D728,421 S * 5/2015 Ishii D11/221
D741,747 S * 10/2015 Ng D11/221

D741,748 S * 10/2015 Ng D11/221
D741,749 S * 10/2015 Ng D11/221
D823,160 S * 7/2018 Zhang D11/221
D828,783 S * 9/2018 Hung D11/221
2005/0183246 A1* 8/2005 Ozaki B21D 53/50
24/403
2008/0313867 A1* 12/2008 Morioka A44B 19/06
24/403
2012/0036685 A1* 2/2012 Wang A44B 19/06
24/399
2016/0015133 A1* 1/2016 Chung A44B 19/403
24/411

FOREIGN PATENT DOCUMENTS

EM 006377073-0001 * 4/2019
* cited by examiner

Primary Examiner — Michelle E. Wilson
Assistant Examiner — Tracey J Bell

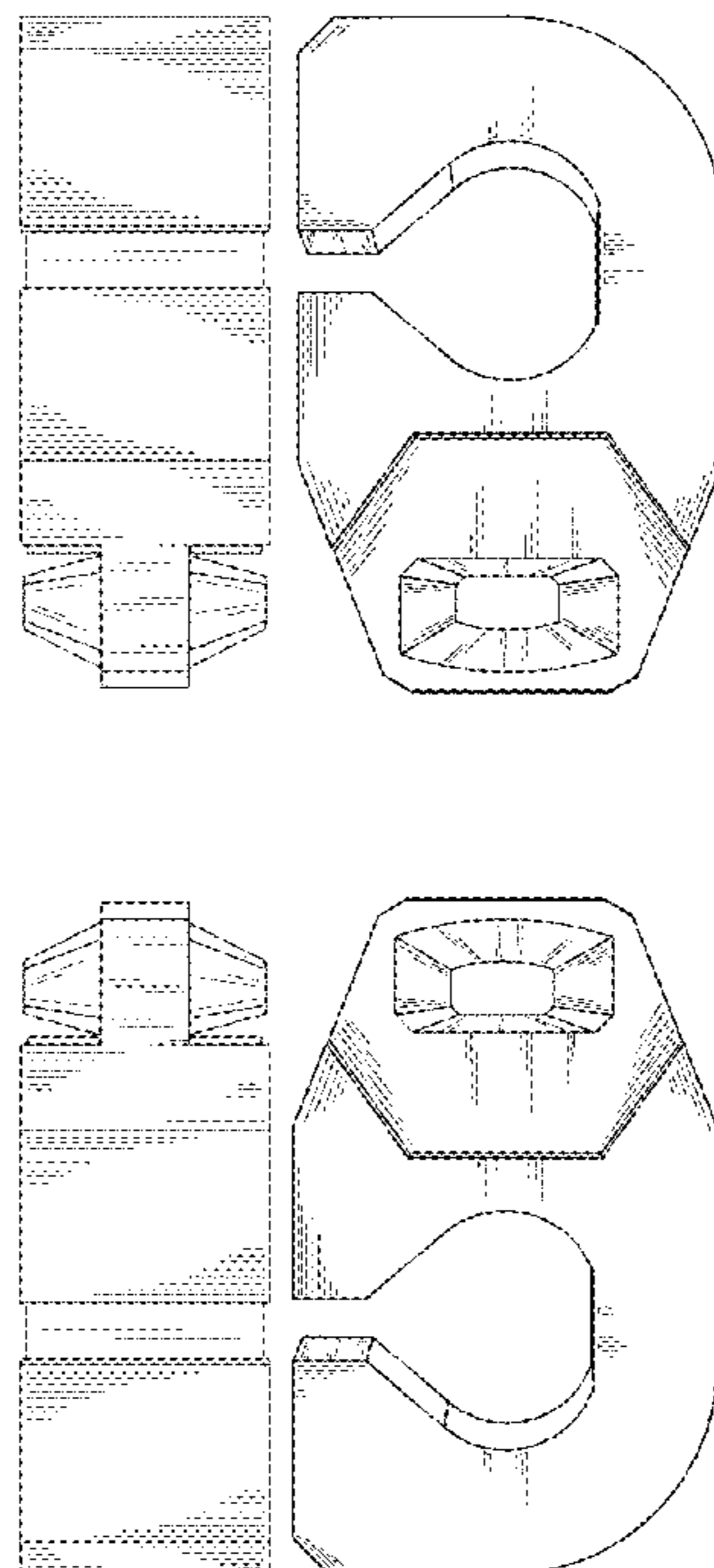
(57) **CLAIM**

The ornamental design for a pair of zipper teeth, as shown and described.

DESCRIPTION

FIG. 1 is a front, top and left side perspective view of a pair of zipper teeth showing my new design;
FIG. 2 is a rear and top perspective view thereof;
FIG. 3 is a front, top and right side perspective view thereof;
FIG. 4 is a front elevation view thereof;
FIG. 5 is a rear elevation view thereof;
FIG. 6 is a top plan view thereof, the bottom being a mirror image;
FIG. 7 is a left side elevation view thereof; and,
FIG. 8 is a right side elevation view thereof.

1 Claim, 8 Drawing Sheets



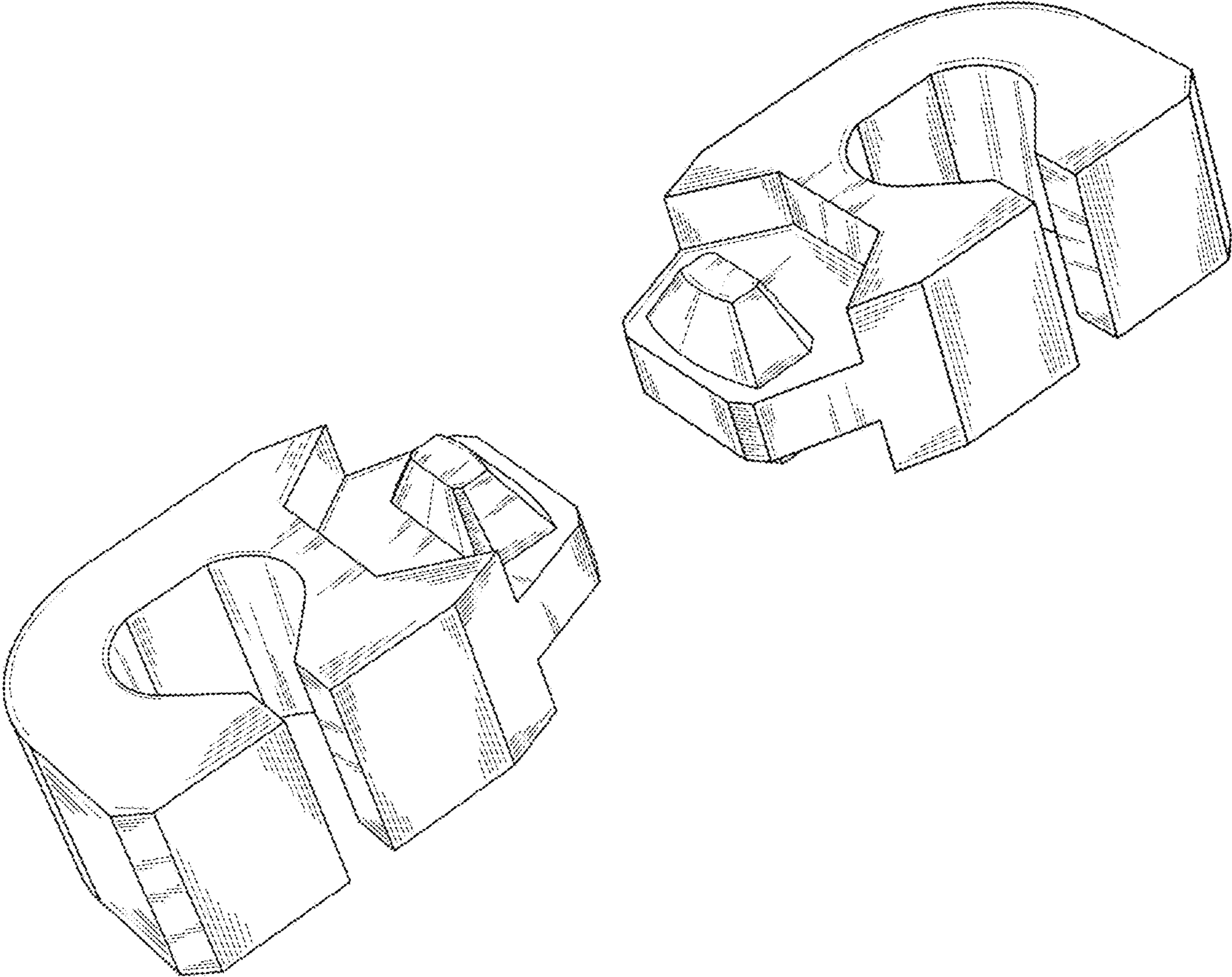


FIG.1

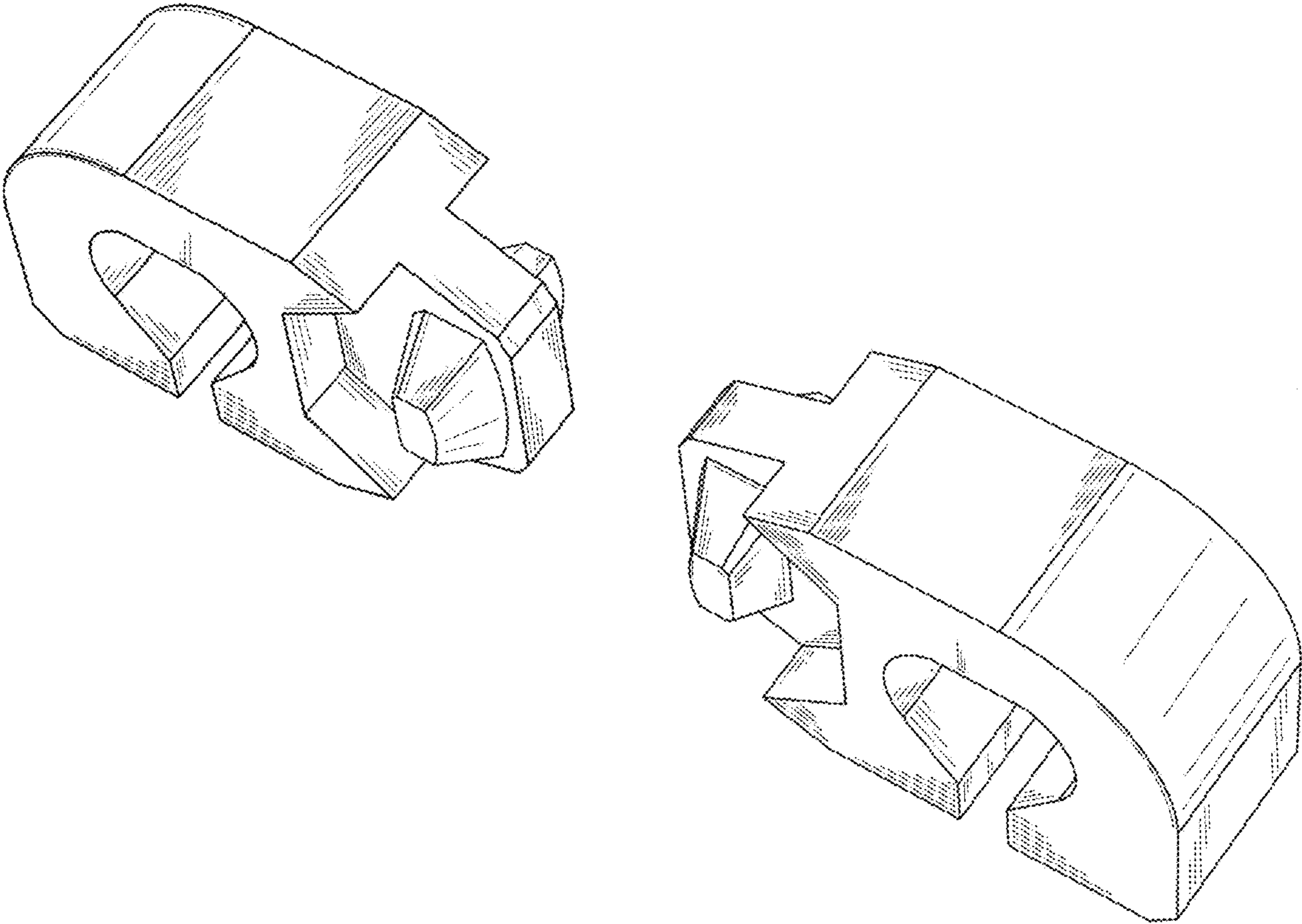


FIG.2

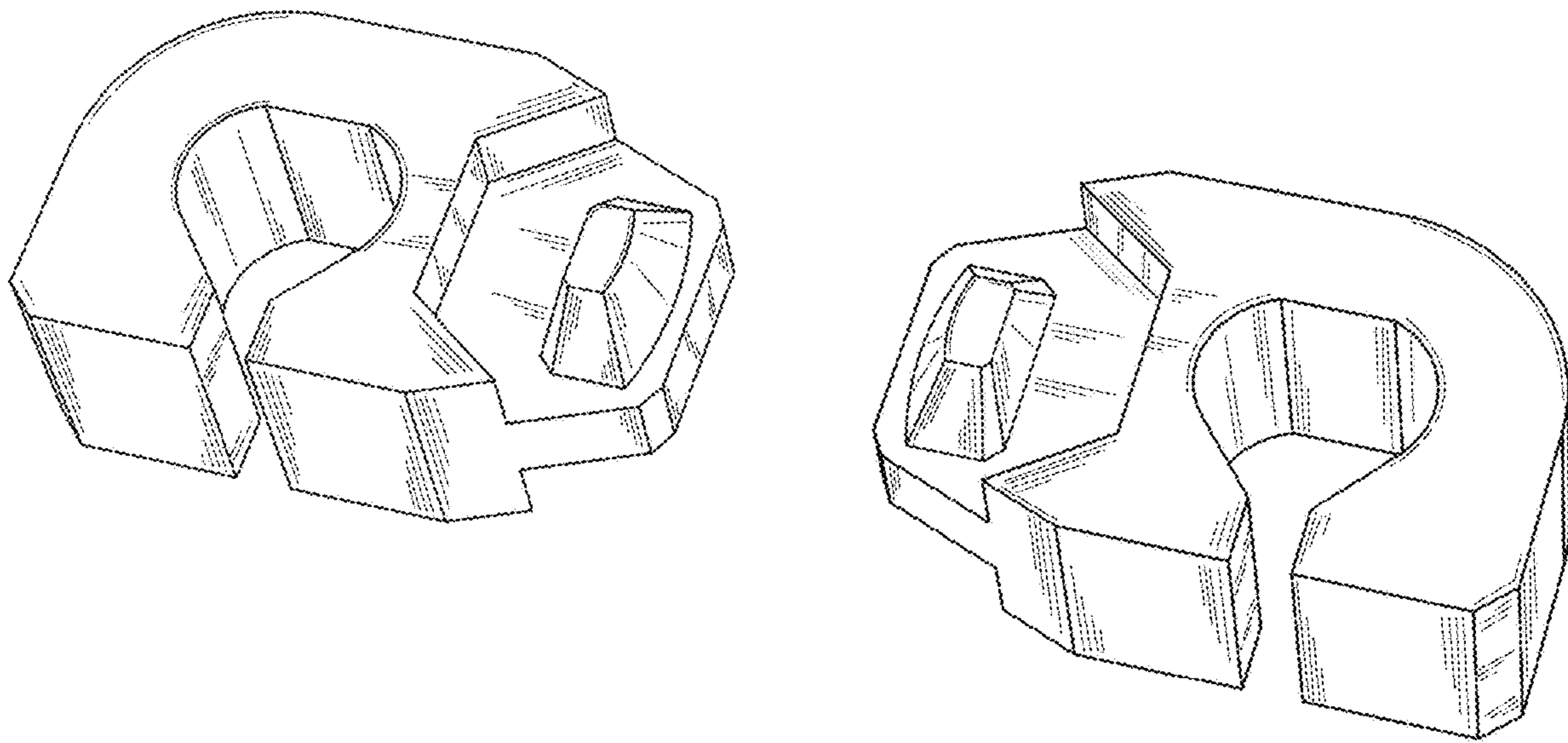


FIG.3

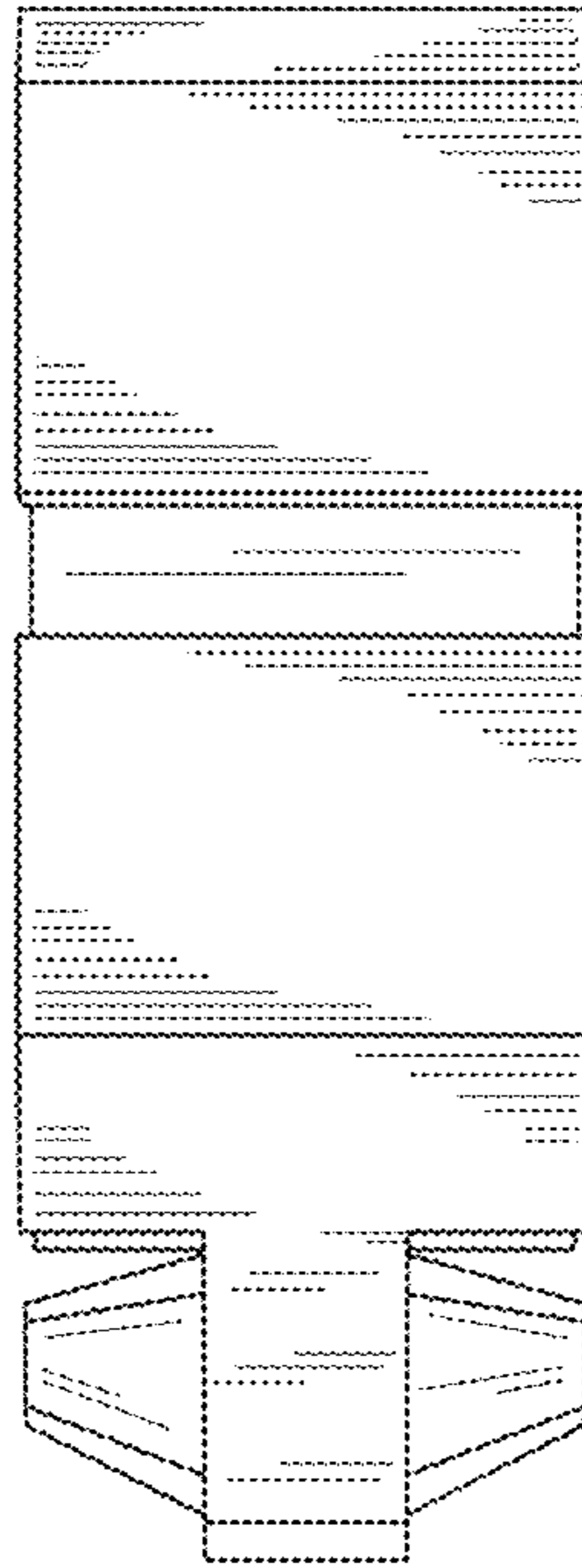


FIG.4

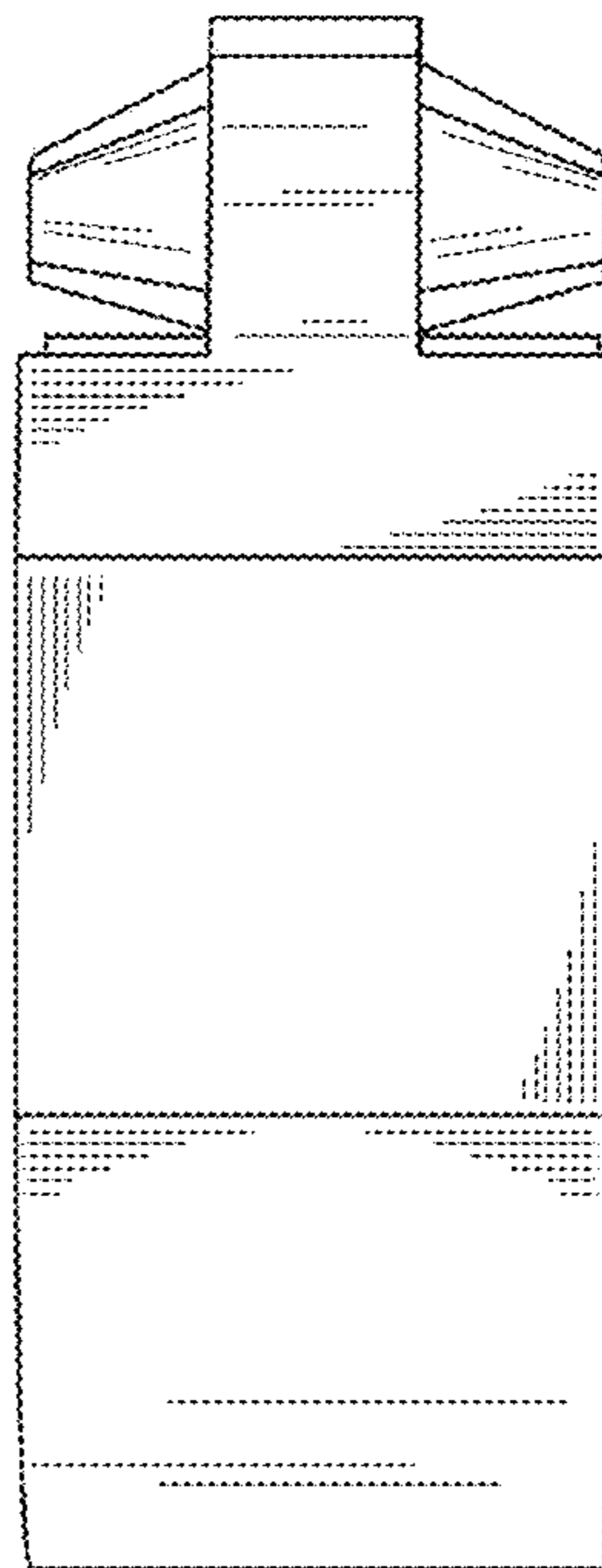
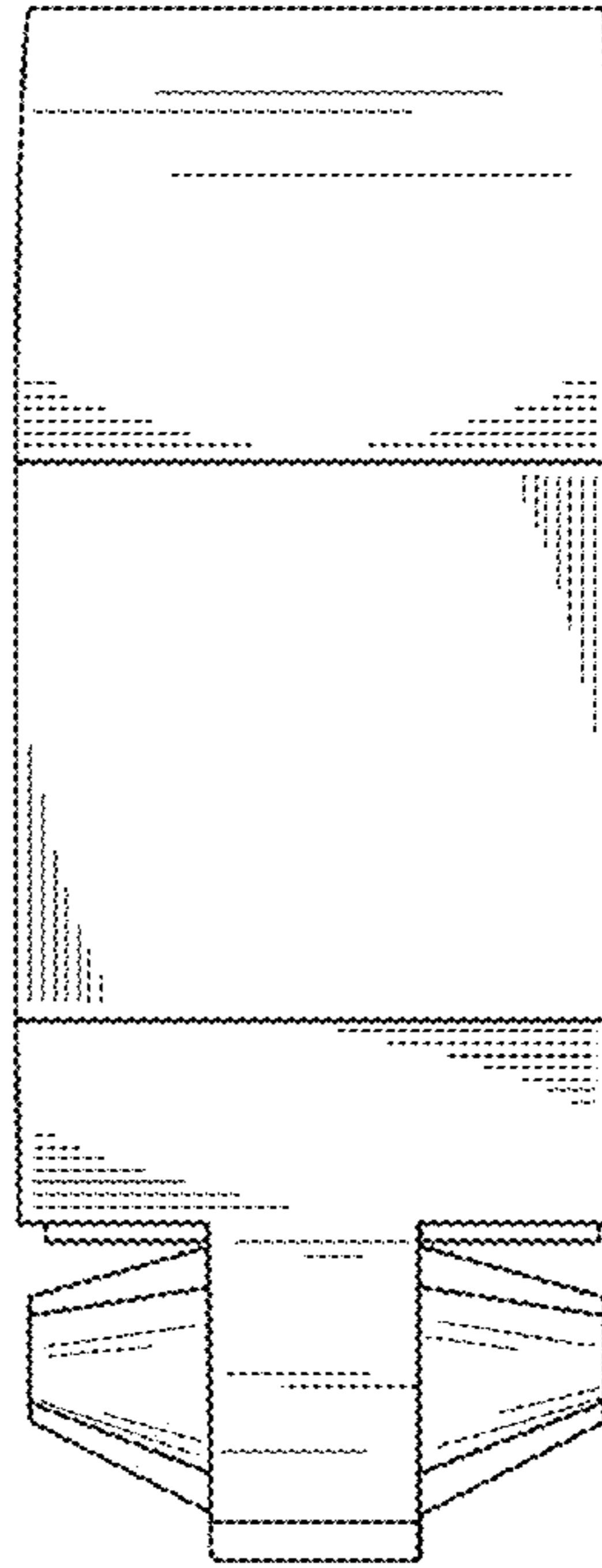


FIG.5

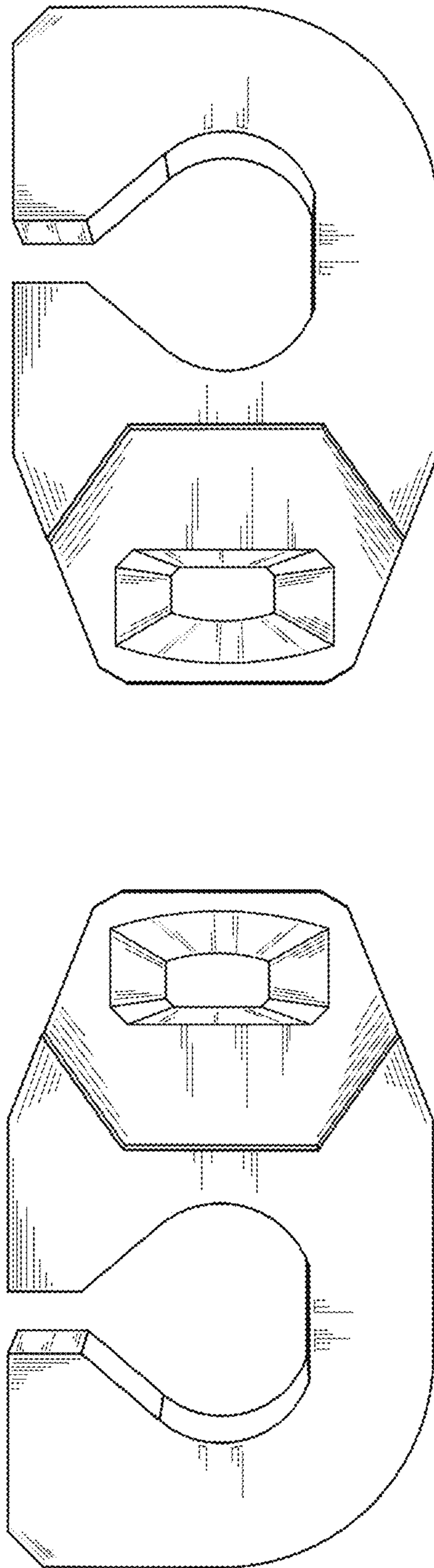


FIG.6

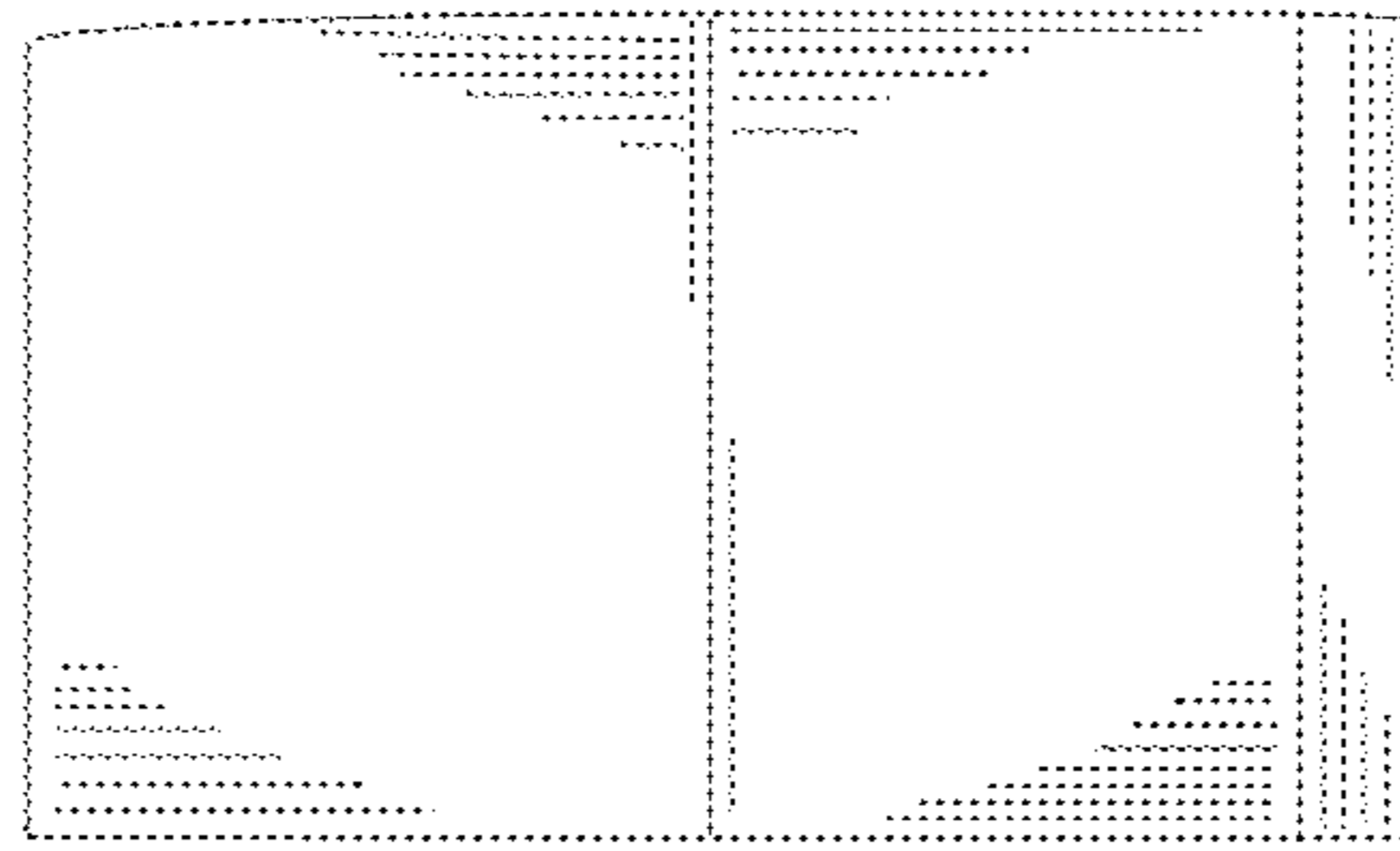


FIG.7

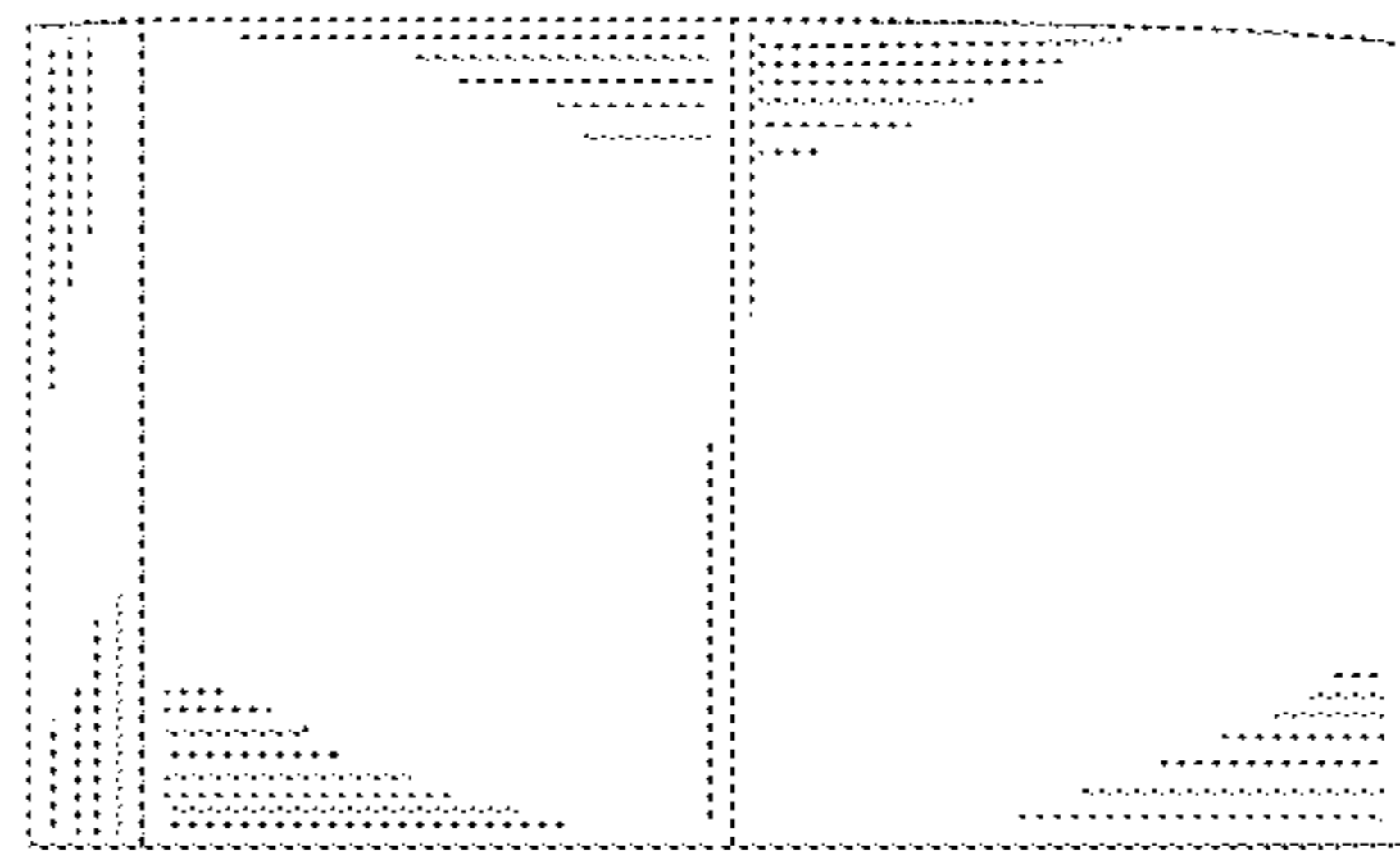


FIG. 8