



US00D906876S

(12) **United States Design Patent** (10) **Patent No.:** **US D906,876 S**  
**Roecker et al.** (45) **Date of Patent:** **\*\* Jan. 5, 2021**

(54) **PLANT TRAY**

(71) Applicant: **Pipp Mobile Storage Systems, Inc.**,  
Walker, MI (US)

(72) Inventors: **Zachary Roecker**, Denver, CO (US);  
**Delos A. Rockwell**, Lowell, MI (US)

(73) Assignee: **Pipp Mobile Storage Systems, Inc.**,  
Walker, MI (US)

(\*\*) Term: **15 Years**

(21) Appl. No.: **29/663,556**

(22) Filed: **Sep. 17, 2018**

(56) **References Cited**

U.S. PATENT DOCUMENTS

1,360,669	A	11/1920	Nielsen	
1,947,055	A *	2/1934	Moorman	A23G 3/0268
				206/511
2,134,647	A *	10/1938	Savage	A01G 20/30
				47/65.9
2,524,246	A	10/1950	Young	
3,024,569	A	3/1962	Nearing et al.	
3,314,192	A	4/1967	Park	
D218,352	S *	8/1970	Hoch	D7/554.3
3,608,240	A	9/1971	Gunn	
D228,606	S *	10/1973	Blount	D7/552.2
D242,266	S *	11/1976	Beh	D11/156
D244,115	S	4/1977	Dilyard	
4,052,816	A	10/1977	Perez	
D274,205	S *	6/1984	Kates	D6/705

(Continued)

FOREIGN PATENT DOCUMENTS

DE	2850764	5/1980
WO	2013/120140	8/2013

(Continued)

*Primary Examiner* — Elizabeth A. Albert

(74) *Attorney, Agent, or Firm* — Gardner, Linn, Burkhart & Ondersma LLP

(57) **CLAIM**

The ornamental design for a plant tray, as shown and described.

**DESCRIPTION**

FIG. 1 is a front perspective view of a plant tray showing our new design;  
FIG. 2 is a bottom front perspective view thereof;  
FIG. 3 is a front elevation thereof;  
FIG. 4 is a left side elevation thereof; and,  
FIG. 5 is a right side elevation thereof.  
In the drawings, the broken lines depict unclaimed subject matter only and form no part of the claimed design.

**Related U.S. Application Data**

(63) Continuation of application No. PCT/IB2018/054857, filed on Jun. 29, 2018.

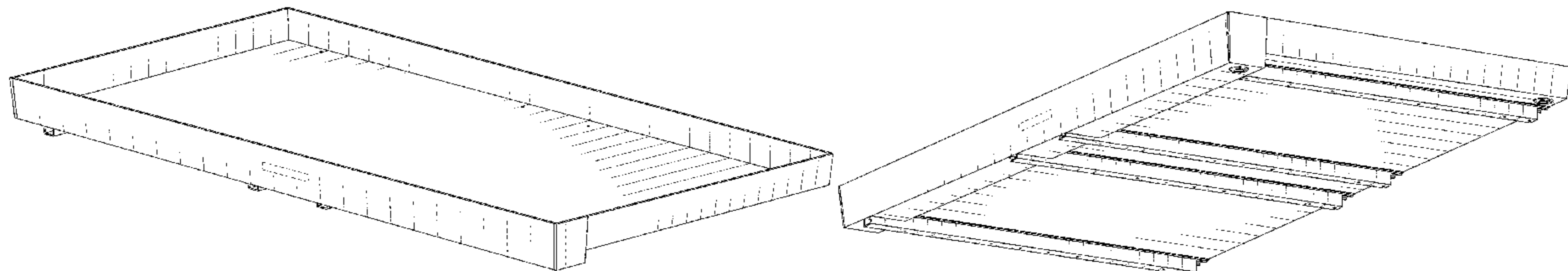
(51) **LOC (13) Cl.** ..... **11-02**

(52) **U.S. Cl.**  
USPC ..... **D11/155**

(58) **Field of Classification Search**  
USPC ..... D11/143–156, 164; D3/304, 307, 315;  
D6/691.6, 692.4, 403–405, 556–558;  
D7/509, 554.3; D34/5  
CPC . A47G 7/02; A47G 7/04; A47G 7/041; A47G  
7/042; A47G 7/044; A47G 7/045; A47G  
7/047; A47G 7/06; A47G 7/063; A47G  
7/08; A47G 2007/048; A01G 2009/003;  
A01G 9/02; A01G 9/021; A01G 9/022;  
A01G 9/026; A01G 9/028; A01G 9/029;  
A01G 9/0293; A01G 9/0299; A01G  
9/033; A01G 9/04; A01G 9/045; A01G  
9/047

See application file for complete search history.

**1 Claim, 2 Drawing Sheets**



(56)

References Cited

U.S. PATENT DOCUMENTS

5,016,772 A \* 5/1991 Wilk ..... B65D 21/086  
 220/495.01  
 D340,339 S \* 10/1993 Kean ..... D12/425  
 5,252,108 A 10/1993 Banks  
 D347,360 S \* 5/1994 Wheeler ..... D19/113  
 5,337,517 A 8/1994 Karthaus et al.  
 5,409,510 A 4/1995 Houweling  
 5,425,198 A 6/1995 Coy  
 D366,170 S \* 1/1996 Temple ..... D19/92  
 5,533,954 A 7/1996 Zogg  
 D377,294 S \* 1/1997 Brady ..... D30/161  
 5,673,511 A 10/1997 Holtkamp, Jr.  
 D409,449 S \* 5/1999 Cornelissen ..... D7/543  
 5,974,733 A 11/1999 Gyory  
 6,138,403 A 10/2000 Bartlett, Jr.  
 D433,662 S \* 11/2000 Fanshaw ..... D12/407  
 6,243,985 B1 6/2001 Miller  
 6,401,994 B1 6/2002 Kircher et al.  
 D465,349 S 11/2002 Sharpton, III  
 6,601,342 B2 8/2003 Dummen  
 6,622,423 B1 \* 9/2003 Riccardi ..... A01G 18/60  
 47/1.1  
 7,082,718 B2 8/2006 Dummen  
 7,093,391 B2 8/2006 Eakin  
 7,156,243 B2 1/2007 Henning et al.  
 7,228,987 B2 6/2007 Cross  
 D577,223 S \* 9/2008 Durmon, Jr. .... D6/406.5  
 D578,811 S \* 10/2008 Gervasi ..... D6/705  
 7,891,507 B2 2/2011 Shetler  
 D666,122 S \* 8/2012 Colless ..... D11/143  
 8,555,547 B2 10/2013 Hashimoto et al.  
 D698,182 S 1/2014 Schall  
 8,720,110 B2 5/2014 Hayes et al.  
 D724,357 S 3/2015 Lim

8,984,808 B2 3/2015 Daniels et al.  
 9,004,298 B2 4/2015 Sichelto  
 9,017,552 B2 4/2015 Peters, Jr. et al.  
 9,032,664 B2 5/2015 Yusibov et al.  
 D732,323 S 6/2015 Ho et al.  
 D734,958 S 7/2015 Gosling et al.  
 D755,564 S \* 5/2016 Lee ..... D7/409  
 D762,402 S 8/2016 Hsu  
 D764,205 S 8/2016 Macari et al.  
 D767,340 S \* 9/2016 Lau ..... D7/554.3  
 9,468,156 B2 10/2016 Sichelto  
 9,468,294 B2 10/2016 Fu  
 D785,605 S \* 5/2017 Hochman ..... D14/239  
 9,639,124 B2 \* 5/2017 Wang ..... G06F 1/187  
 9,743,593 B1 \* 8/2017 Lawson ..... E04H 13/003  
 9,844,188 B2 12/2017 Legerton  
 9,854,750 B2 1/2018 Brusatore  
 D823,622 S \* 7/2018 Nilsson ..... D6/704  
 2003/0159344 A1 8/2003 Vandewiele et al.  
 2003/0188476 A1 \* 10/2003 Riccardi ..... A01G 18/60  
 47/1.1  
 2004/0222178 A1 11/2004 Sparkowski  
 2006/0162246 A1 7/2006 Okabe et al.  
 2006/0168886 A1 8/2006 McNulty et al.  
 2009/0235583 A1 9/2009 Colless et al.  
 2009/0266775 A1 10/2009 Vanderhoek et al.  
 2010/0175319 A1 7/2010 Meeks  
 2012/0011768 A1 1/2012 Martinez  
 2012/0317879 A1 12/2012 Morgan et al.  
 2015/0135588 A1 5/2015 Gergek  
 2017/0359964 A1 12/2017 Persico

FOREIGN PATENT DOCUMENTS

WO 2015/027267 3/2015  
 WO 2016/014843 1/2016

\* cited by examiner

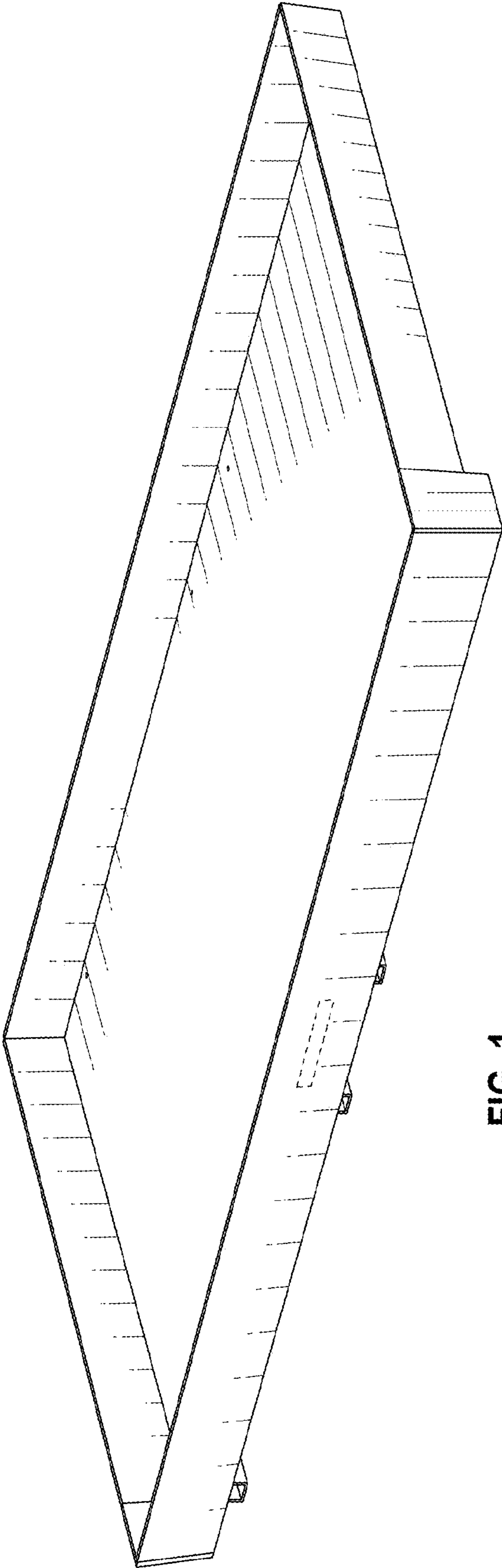


FIG. 1

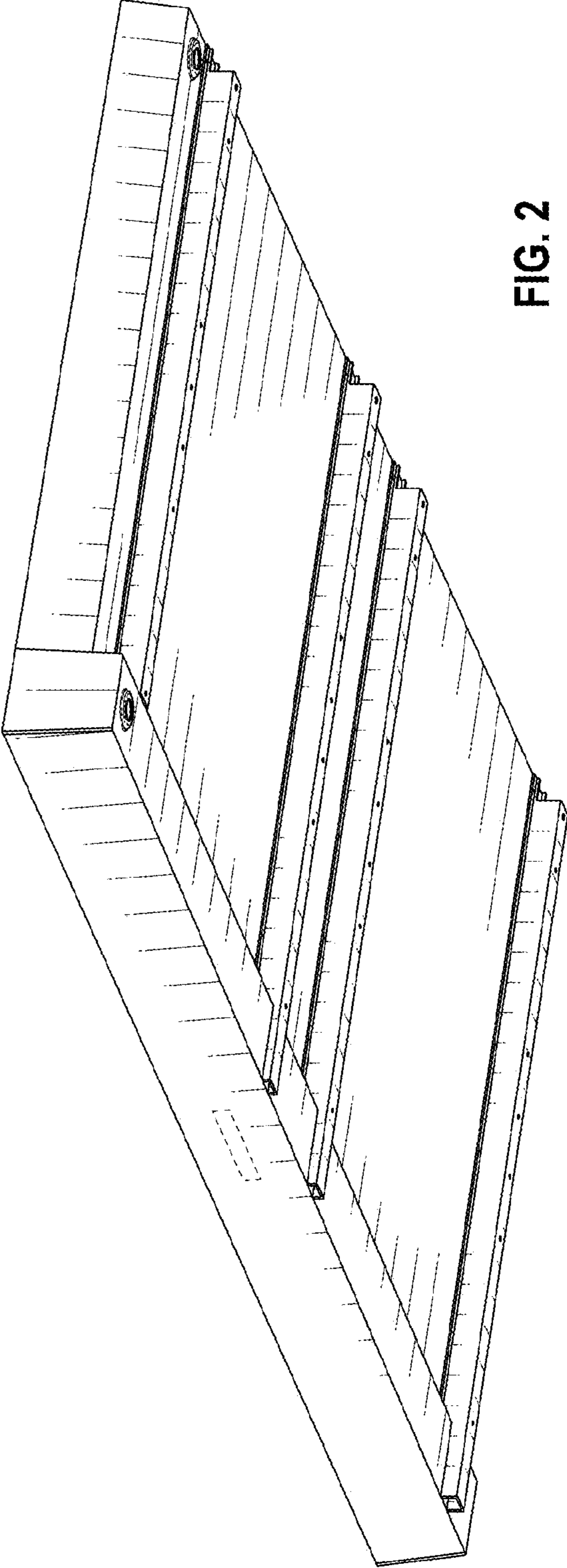


FIG. 2

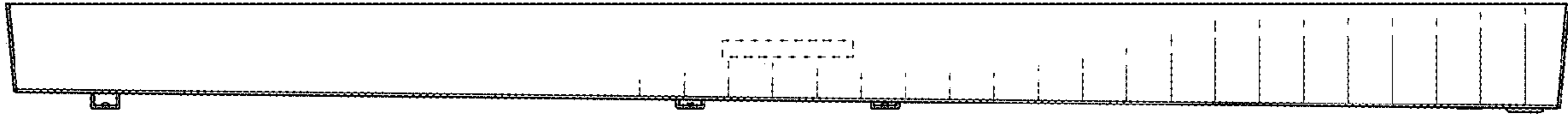


FIG. 3

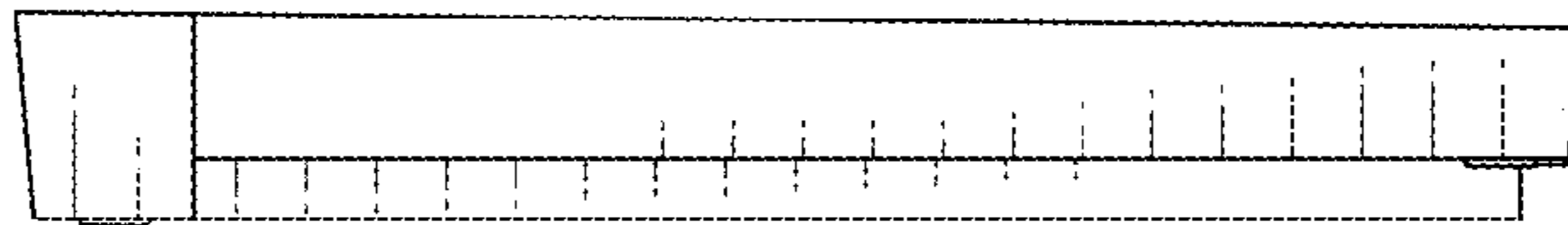


FIG. 4

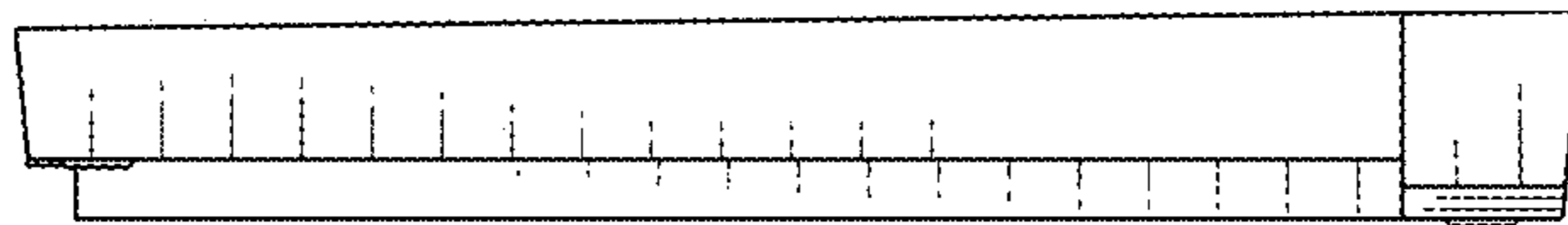


FIG. 5