



US00D906875S

(12) **United States Design Patent**  
**Ryan et al.**

(10) **Patent No.:** **US D906,875 S**  
(45) **Date of Patent:** **\*\* Jan. 5, 2021**

(54) **PLANTER**

(71) Applicant: **Classic Home & Garden, LLC**,  
Monroe, CT (US)

(72) Inventors: **Fred Joseph Ryan**, Trumbull, CT (US);  
**Jason Anthony Yanes**, Coral Gables,  
FL (US)

(73) Assignee: **CLASSIC HOME & GARDEN, LLC**,  
Monroe, CT (US)

(\*\*) Term: **15 Years**

(21) Appl. No.: **29/701,130**

(22) Filed: **Aug. 8, 2019**

(51) **LOC (13) Cl.** ..... **11-02**

(52) **U.S. Cl.**  
USPC ..... **D11/152**

(58) **Field of Classification Search**  
USPC ..... D11/143–156, 164; D3/304, 306, 312;  
D6/403, 404, 405, 556, 557, 558; D8/1;  
D7/584, 587, 604, 606  
CPC . A01G 9/00; A01G 9/02; A01G 9/021; A01G  
9/022; A01G 9/027; A01G 9/029; A01G  
9/085; A01G 9/122; A01G 31/02; A01G  
31/06; A01G 5/04; A47G 7/00; A47G  
7/02; A47G 7/03; A47G 7/06; A47G 7/08  
See application file for complete search history.

(56) **References Cited**

**U.S. PATENT DOCUMENTS**

- 244,883 A \* 7/1881 Gantt ..... G01F 19/002  
73/426
- 396,459 A \* 1/1889 Bertrand ..... A01G 9/02  
47/66.1
- 1,932,748 A \* 10/1933 Peck ..... A01G 9/02  
47/66.1
- D93,847 S \* 11/1934 Preddy ..... D1/106

- D234,489 S \* 3/1975 Shaw ..... D23/410
- D249,444 S \* 9/1978 Forsberg ..... D7/604
- 4,227,343 A \* 10/1980 Espy ..... A01G 9/00  
185/27
- 4,635,394 A \* 1/1987 Brown ..... A01G 9/02  
47/39
- 4,912,875 A \* 4/1990 Tardif ..... A01G 9/04  
47/67
- 6,098,338 A \* 8/2000 Tilton ..... A01G 9/02  
428/15
- 6,173,530 B1 \* 1/2001 Holt ..... A47F 3/142  
217/88
- 6,536,361 B1 \* 3/2003 Wu ..... A01G 9/033  
111/114
- D485,208 S \* 1/2004 Fan ..... D11/143
- D490,745 S \* 6/2004 Fan ..... D11/143
- D491,487 S \* 6/2004 Buss ..... D11/152
- D684,891 S \* 6/2013 Team ..... D11/149

(Continued)

*Primary Examiner* — Elizabeth A. Albert

(74) *Attorney, Agent, or Firm* — Tutunjian & Bitetto, P.C.

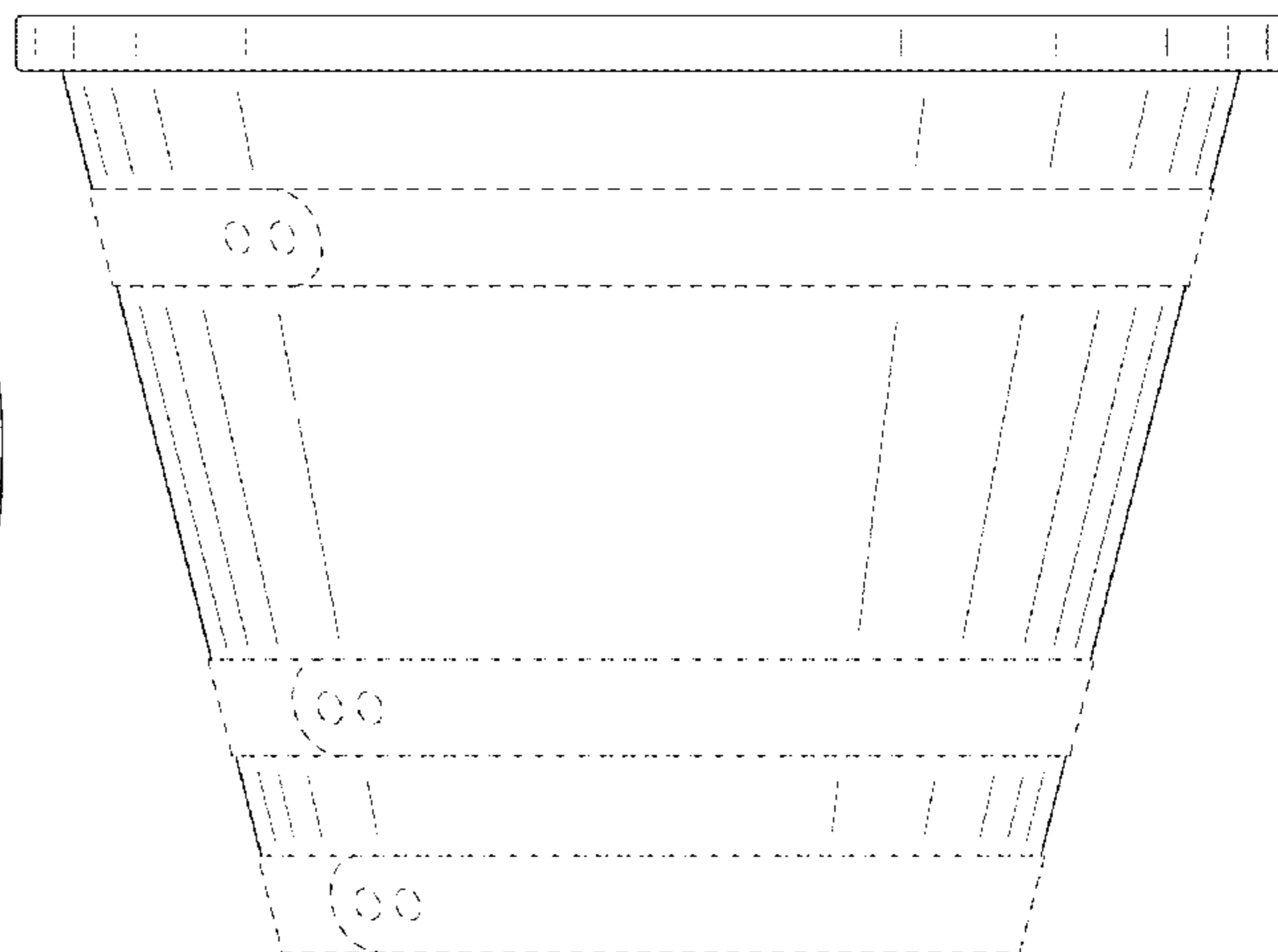
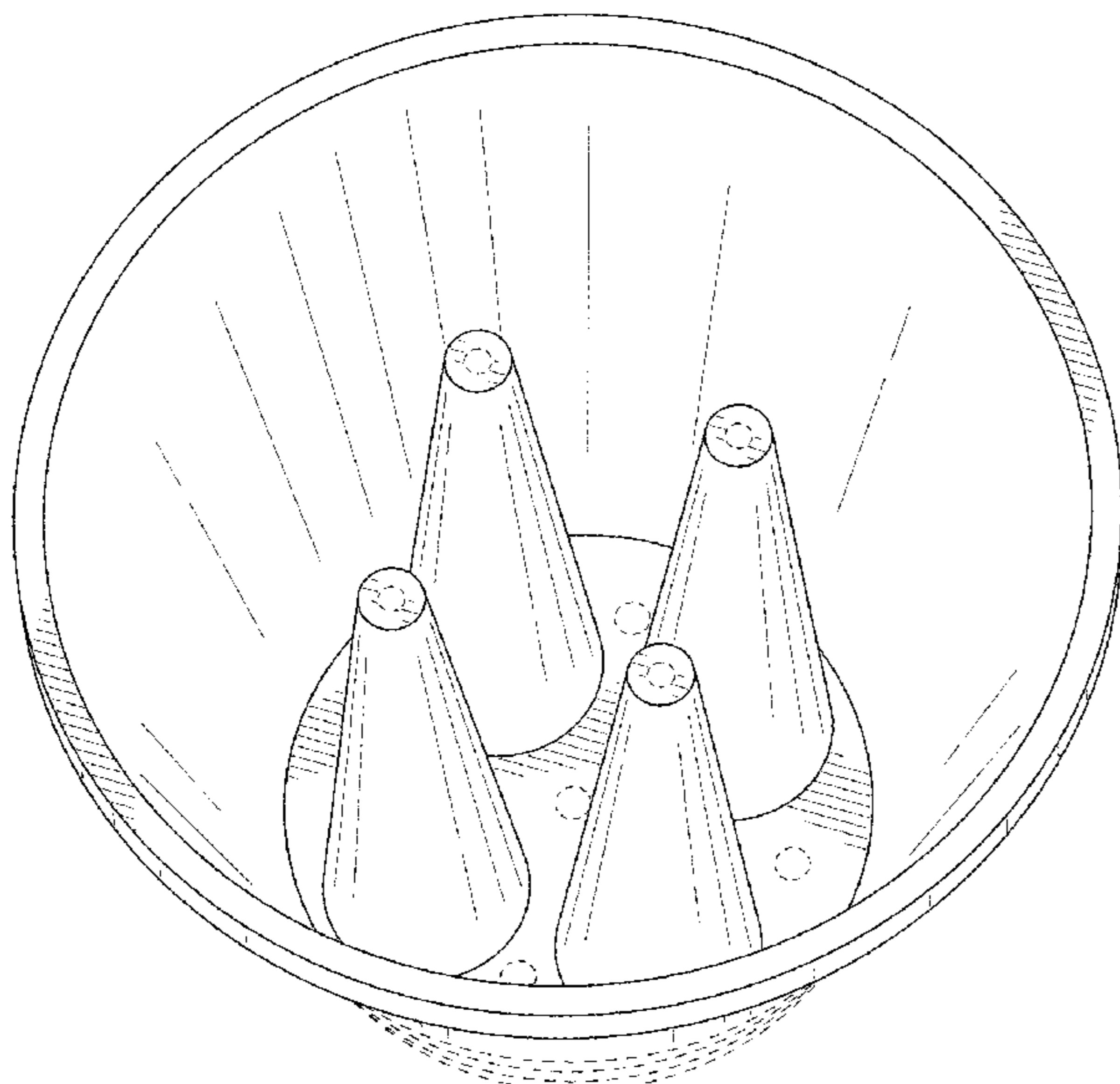
(57) **CLAIM**

The ornamental design for a planter, as shown and described.

**DESCRIPTION**

FIG. 1 is a side perspective view of the planter showing our new design;  
 FIG. 2 is a top perspective view thereof;  
 FIG. 3 is a bottom perspective view thereof;  
 FIG. 4 is a front view thereof;  
 FIG. 5 is a right side view thereof;  
 FIG. 6 is a left side view thereof;  
 FIG. 7 is a rear view thereof;  
 FIG. 8 is a top view thereof; and,  
 FIG. 9 is a bottom view thereof.  
 The broken lines are included to show portions of the planter that form no part of the claimed design.

**1 Claim, 9 Drawing Sheets**



(56)

**References Cited**

U.S. PATENT DOCUMENTS

9,038,312 B2 \* 5/2015 Harbaugh ..... A01G 9/042  
47/66.1  
D765,232 S \* 8/2016 Horsfield ..... D23/343  
D796,379 S \* 9/2017 Takaoka ..... D11/152  
D819,490 S \* 6/2018 Ryan ..... D11/153  
10,085,387 B2 \* 10/2018 Takaoka ..... A01G 9/042  
D840,264 S \* 2/2019 Ryan ..... D11/155  
D864,786 S \* 10/2019 Ryan ..... D11/149  
D869,987 S \* 12/2019 Ryan ..... D11/149  
10,602,685 B2 \* 3/2020 Eckert ..... A01G 27/06

\* cited by examiner

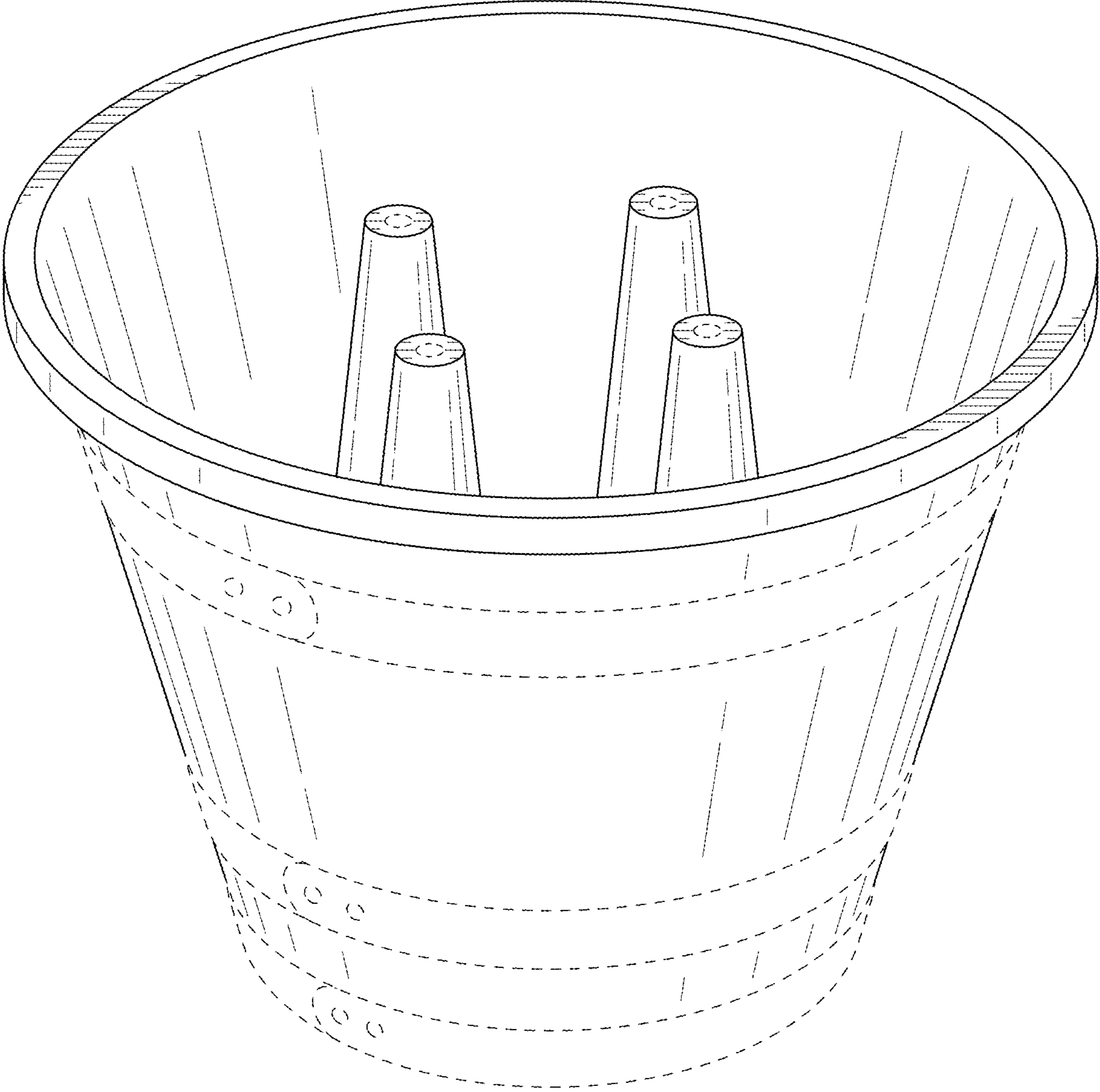


FIG. 1

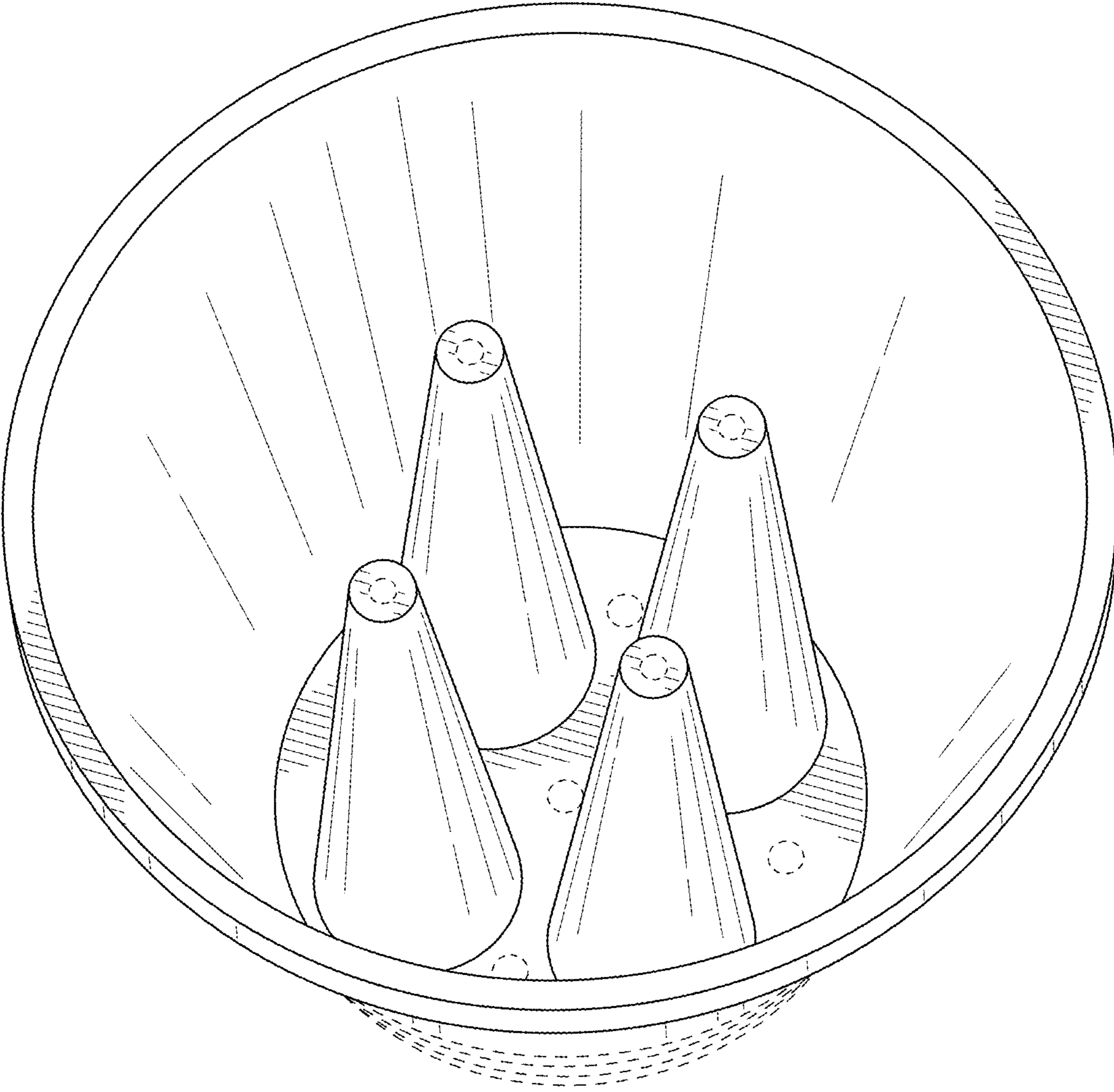


FIG. 2



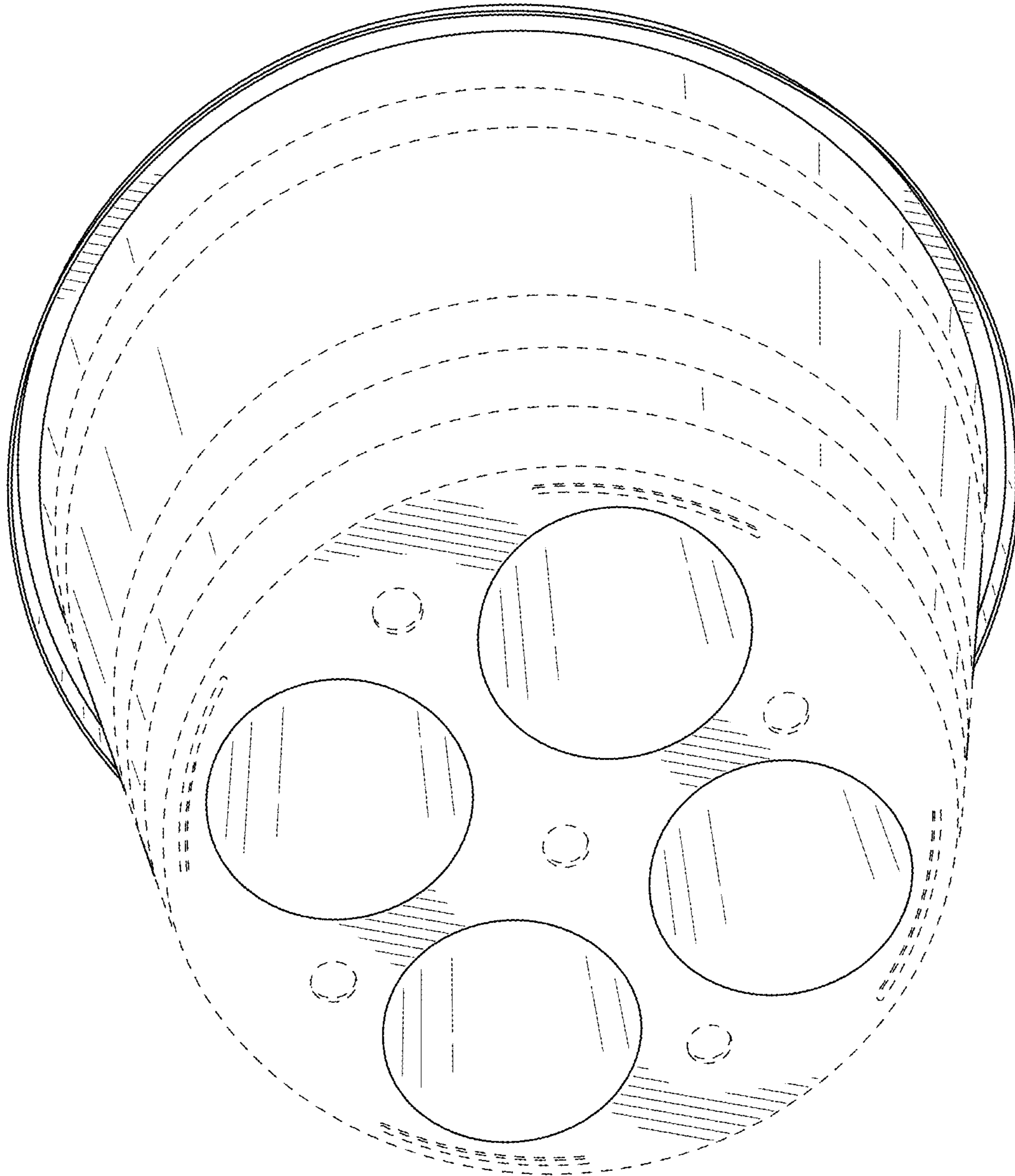


FIG. 3

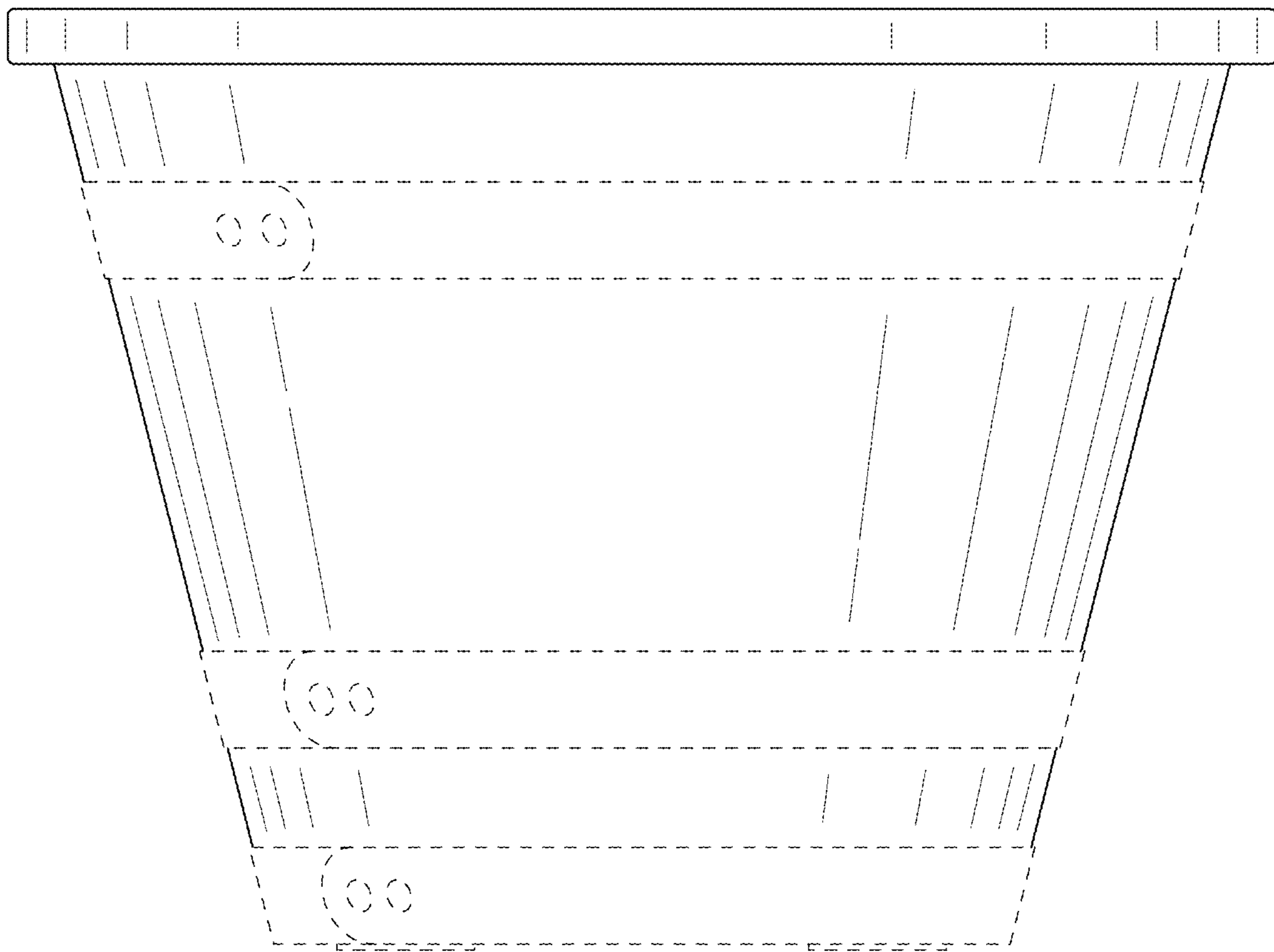
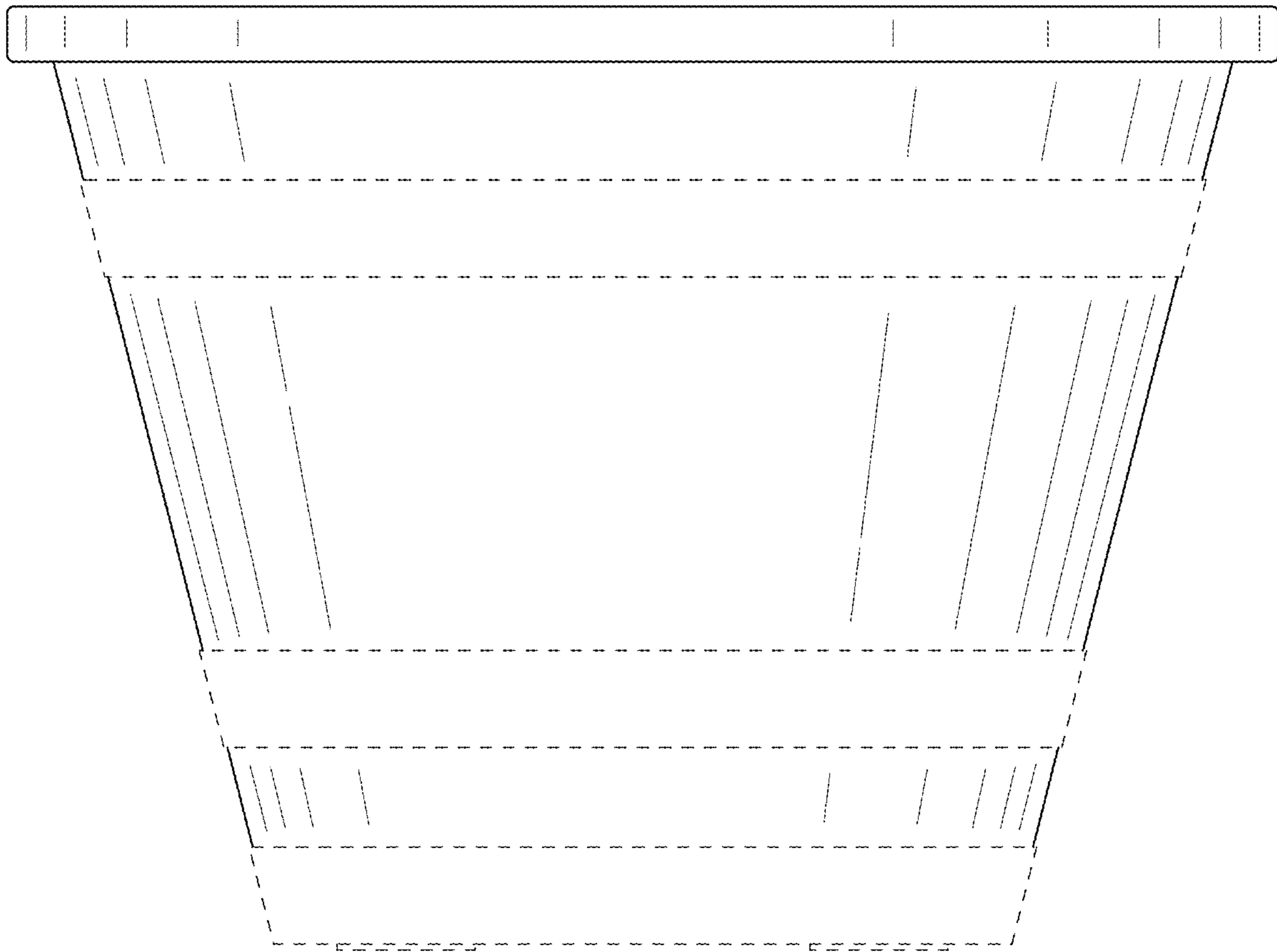


FIG. 4



**FIG. 5**

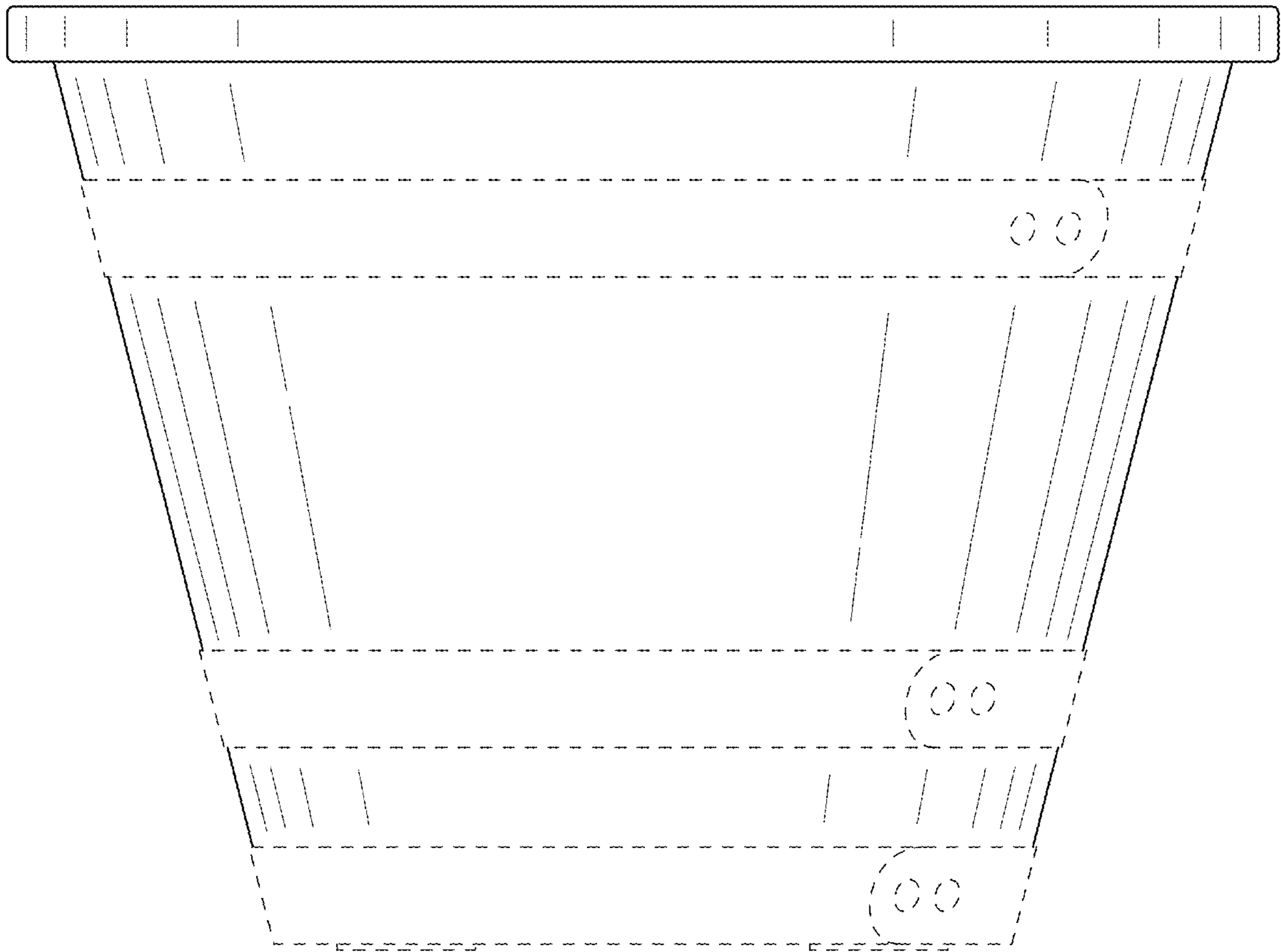
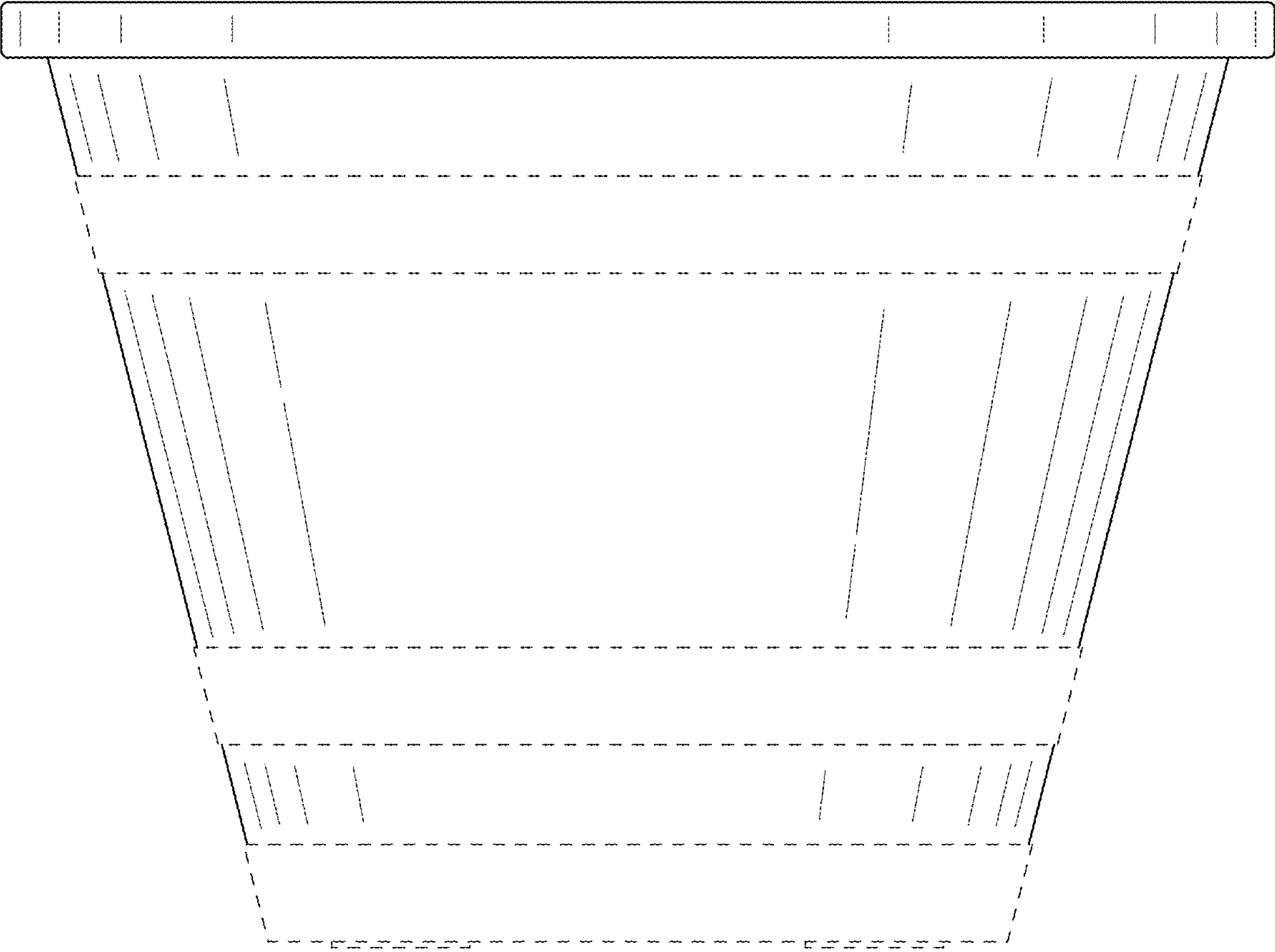


FIG. 6





**FIG. 7**

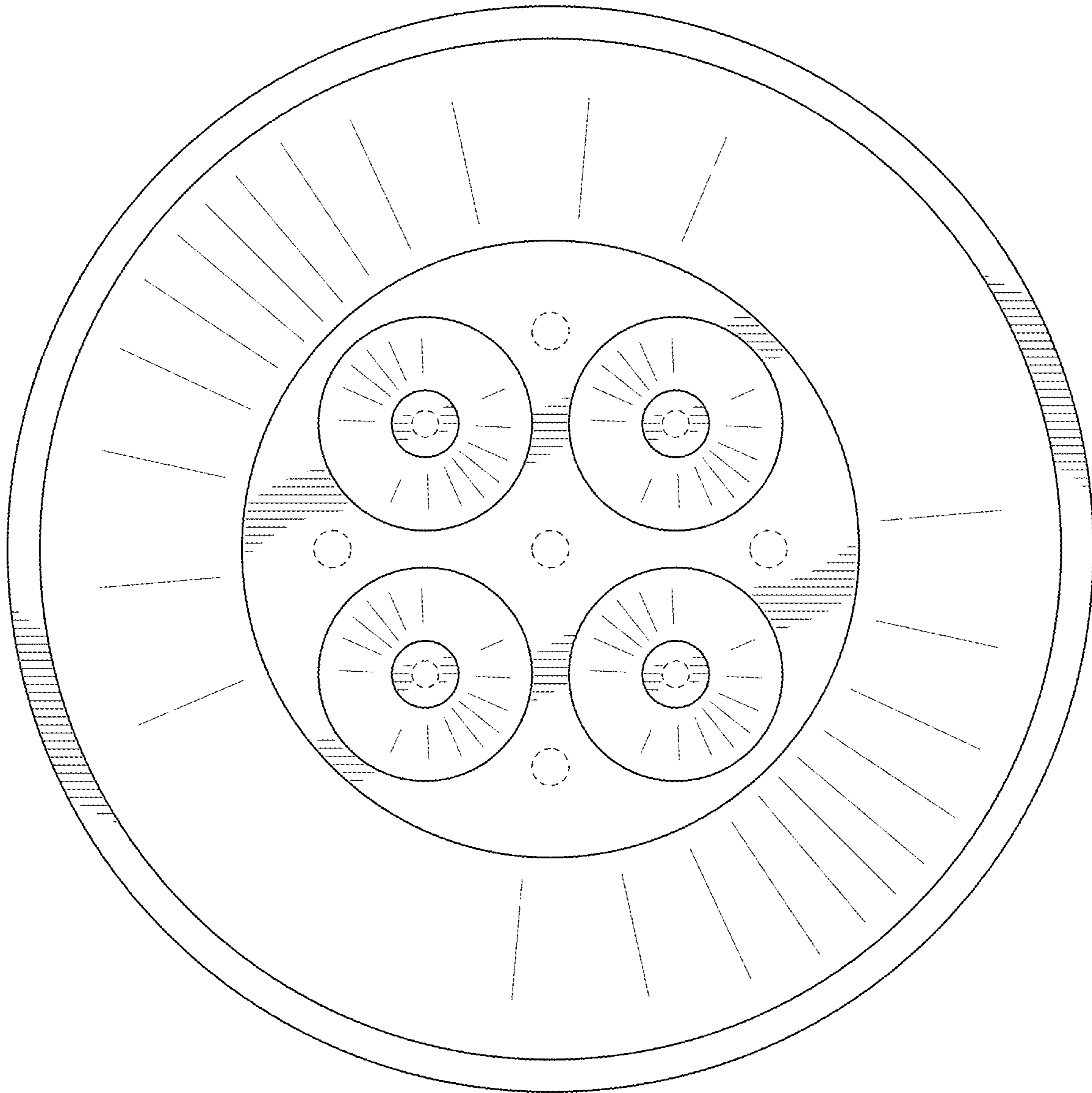


FIG. 8

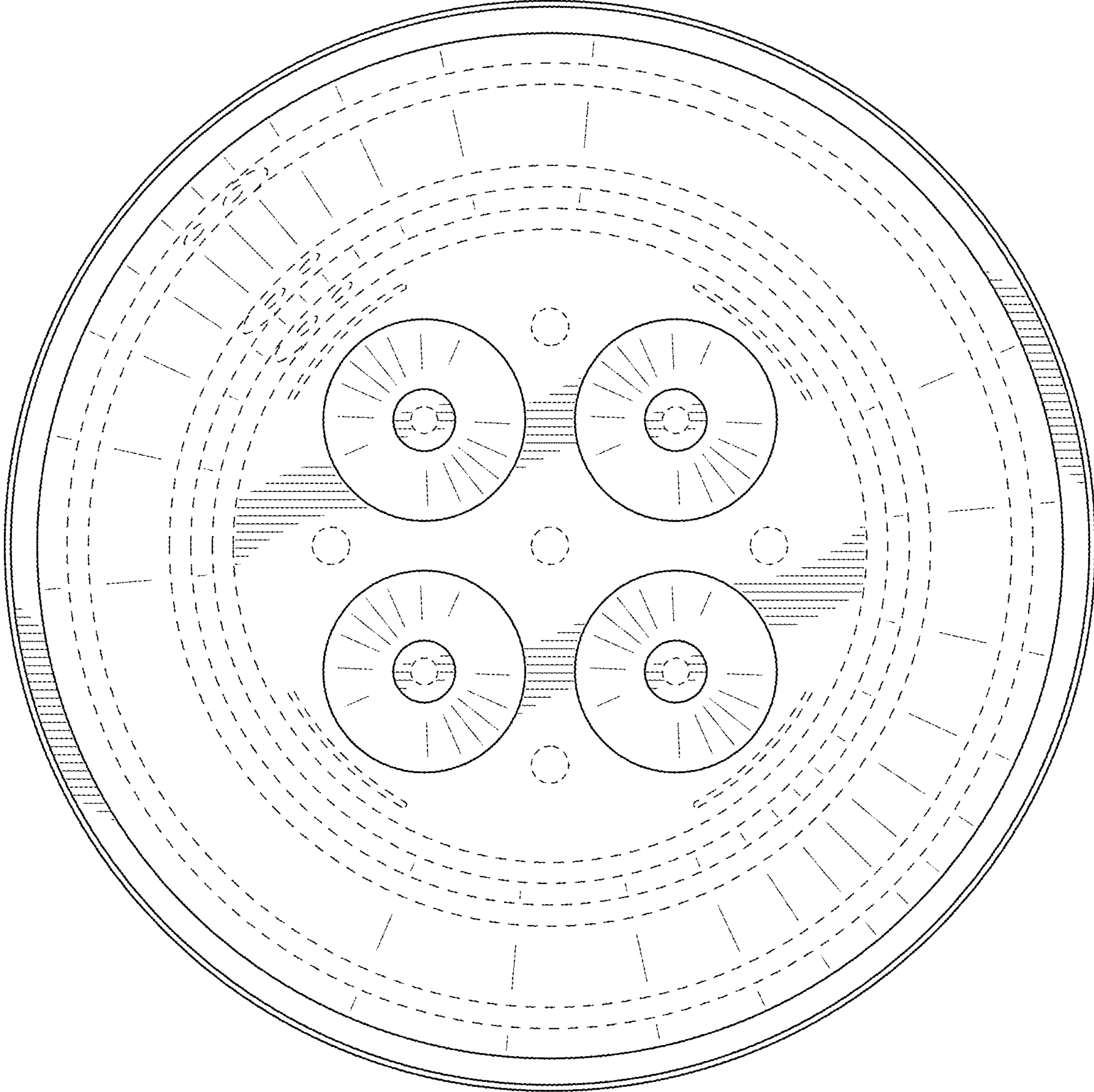


FIG. 9