

US00D906874S

(12) **United States Design Patent**
Current

(10) **Patent No.:** **US D906,874 S**
(45) **Date of Patent:** **** Jan. 5, 2021**

- (54) **FLOWER STEM CLIP**
- (71) Applicant: **Jemma Holdings, LLC**, Jersey City, NJ (US)
- (72) Inventor: **James Current**, Jersey City, NJ (US)
- (73) Assignee: **Jemma Holdings, LLC**, Jersey City, NJ (US)
- (**) Term: **15 Years**
- (21) Appl. No.: **29/700,980**
- (22) Filed: **Aug. 7, 2019**
- (51) **LOC (13) Cl.** **11-02**
- (52) **U.S. Cl.**
USPC **D11/146**
- (58) **Field of Classification Search**
USPC D11/143–156, 164; D3/304, 306, 312; D6/403, 404, 405, 556, 557, 558; D8/1, D8/388, 394; D7/584, 587, 604, 606
CPC . A01G 9/00; A01G 9/02; A01G 9/021; A01G 9/022; A01G 9/027; A01G 9/029; A01G 9/085; A01G 9/122; A01G 31/02; A01G 31/06; A01G 5/04; A47G 7/00; A47G 7/02; A47G 7/03; A47G 7/06; A47G 7/08
See application file for complete search history.

- (56) **References Cited**
U.S. PATENT DOCUMENTS
D39,432 S * 7/1908 Whipple D7/565
D61,571 S * 10/1922 Haines D1/115
3,177,617 A * 4/1965 Koistinen A01G 5/04
47/41.11
3,494,072 A * 2/1970 Olson A01G 17/08
47/44
D263,939 S * 4/1982 Katcher D11/143
D270,133 S * 8/1983 Craig D8/1

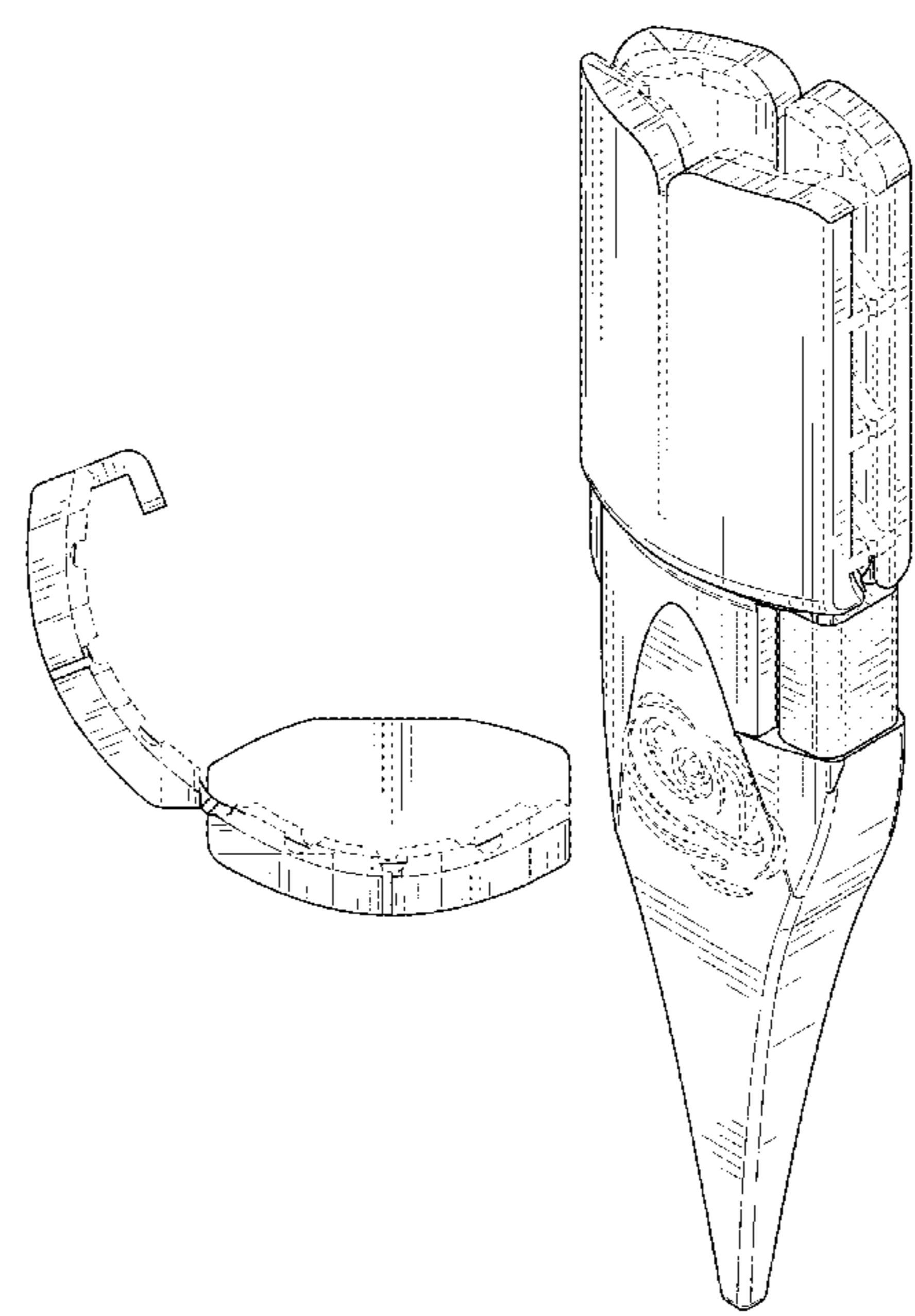
- D314,493 S * 2/1991 Keane D20/22
- D329,575 S * 9/1992 Eberhart D8/1
- D341,755 S * 11/1993 Zeman D23/217
- D361,094 S * 8/1995 Calkins D20/26
- D361,461 S * 8/1995 Linzenbold D6/556
- D365,041 S * 12/1995 Dollinger D11/146
- 5,546,697 A * 8/1996 Lymberis A01G 5/04
47/41.15
- D378,439 S * 3/1997 Gary D21/840
- D400,782 S * 11/1998 Nakamura D8/395
- D446,156 S * 8/2001 Davenport D11/152
- 7,393,116 B1 * 7/2008 Holmes F21S 2/00
362/122
- D578,642 S * 10/2008 White D24/128
- D720,611 S * 1/2015 Hewitt D8/388
- D874,890 S * 2/2020 Lazarov D8/1

* cited by examiner
Primary Examiner — Elizabeth A. Albert
(74) *Attorney, Agent, or Firm* — Ascentage Patent Law, LLC; Travis Lee Johnson

(57) **CLAIM**
I claim, the ornamental design for a flower stem clip, as shown and described.

DESCRIPTION
FIG. 1 is a perspective view of a flower stem clip in an open condition;
FIG. 2 is a front view thereof;
FIG. 3 is a rear view thereof;
FIG. 4 is a left side front view thereof;
FIG. 5 is a right side front view thereof;
FIG. 6 is a top view thereof;
FIG. 7 is a bottom view thereof; and,
FIG. 8 is a perspective view of the flower stem clip in a closed condition.
The broken lines in the figures depict environmental subject matter and form no part of the claimed design.

1 Claim, 6 Drawing Sheets



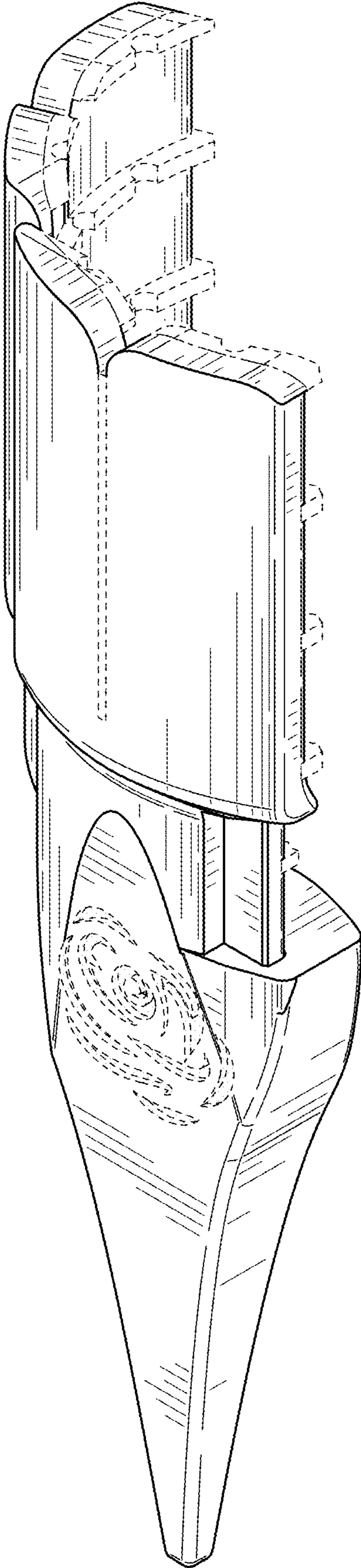


FIG. 1

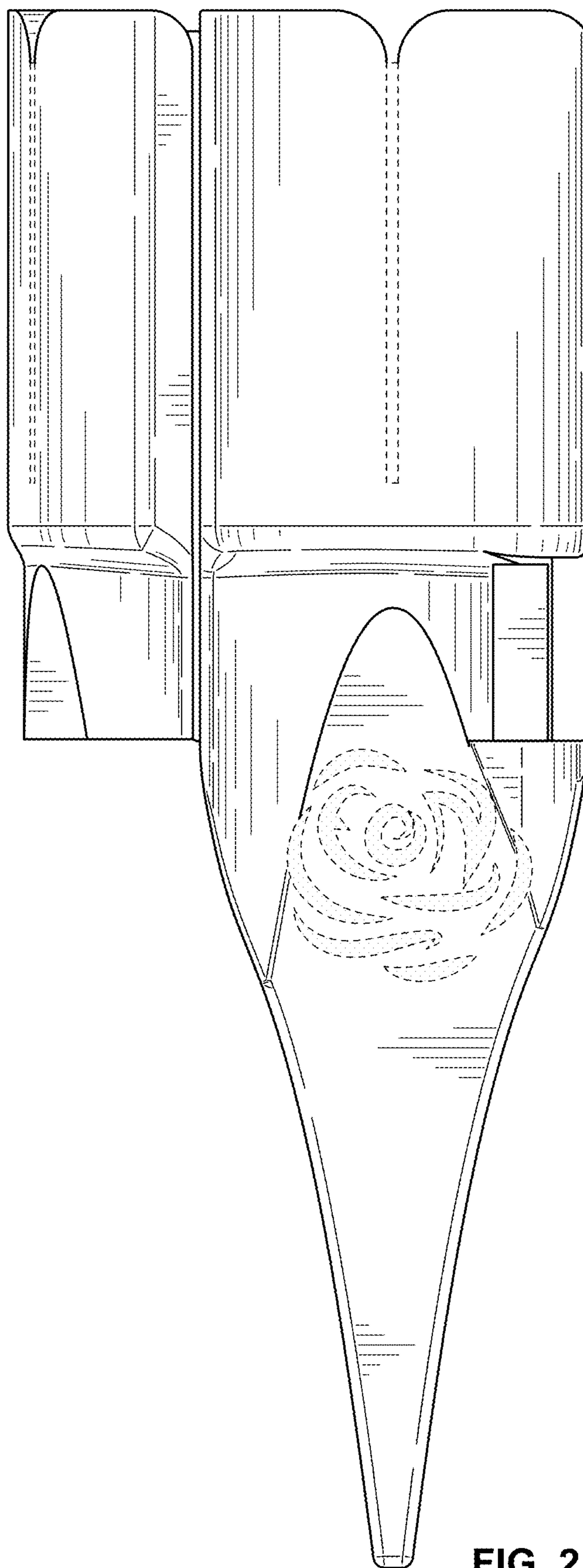


FIG. 2

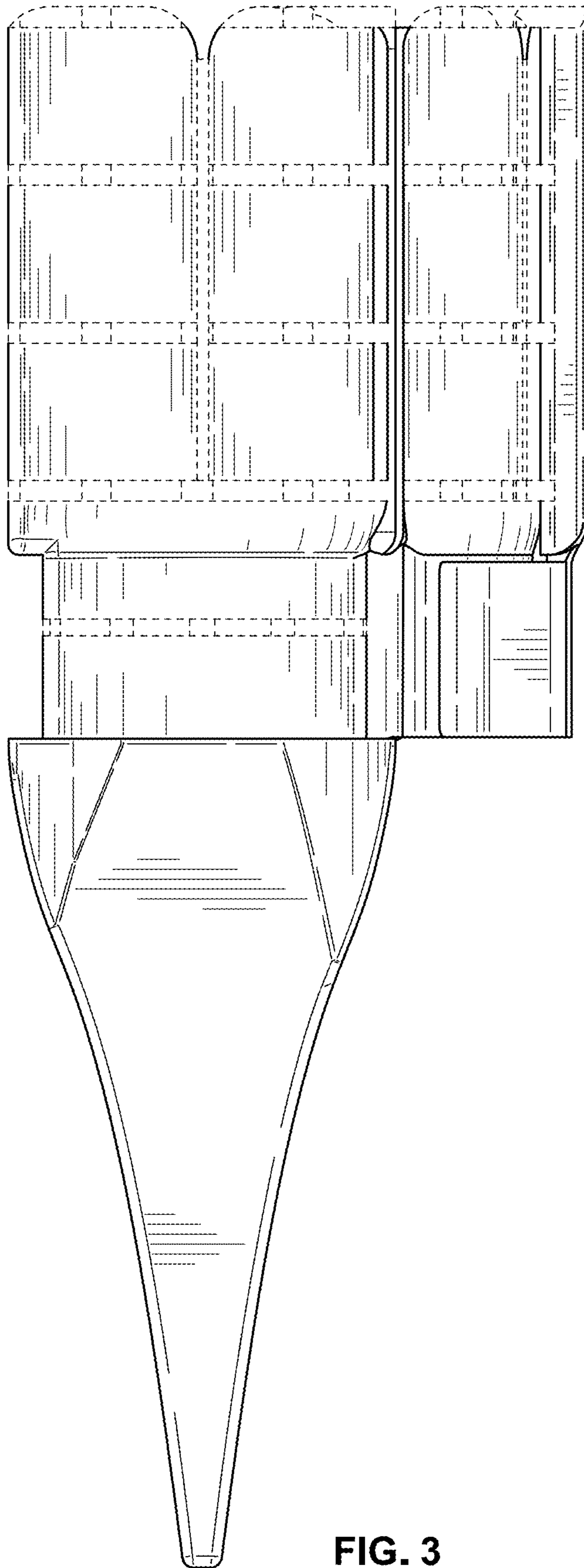


FIG. 3

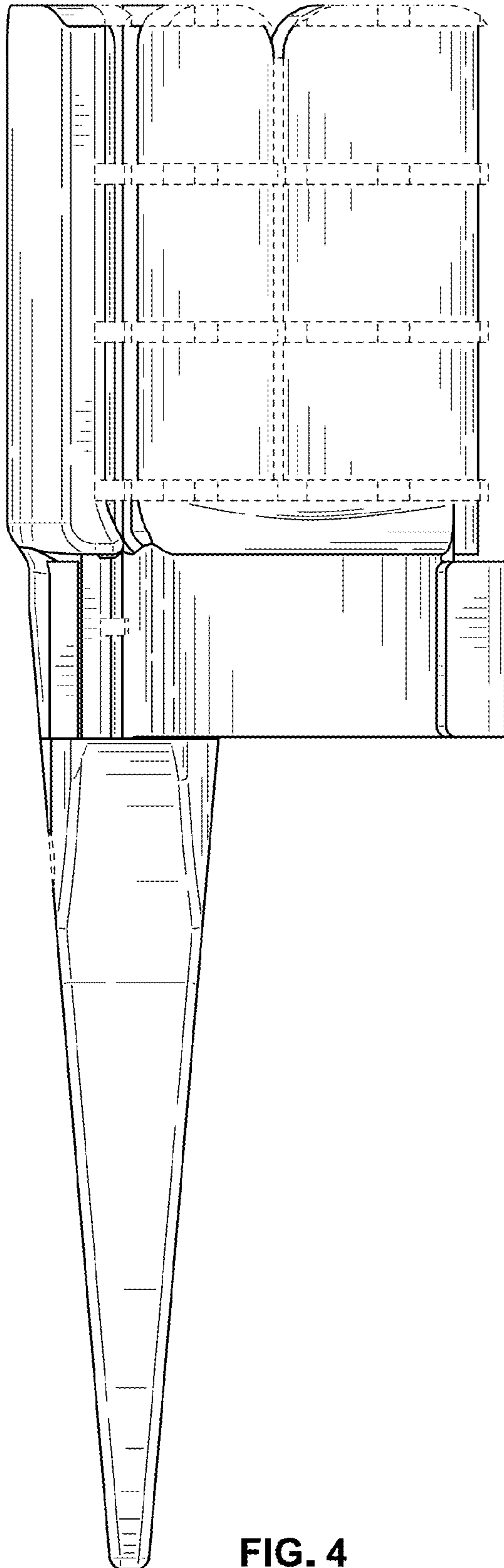


FIG. 4

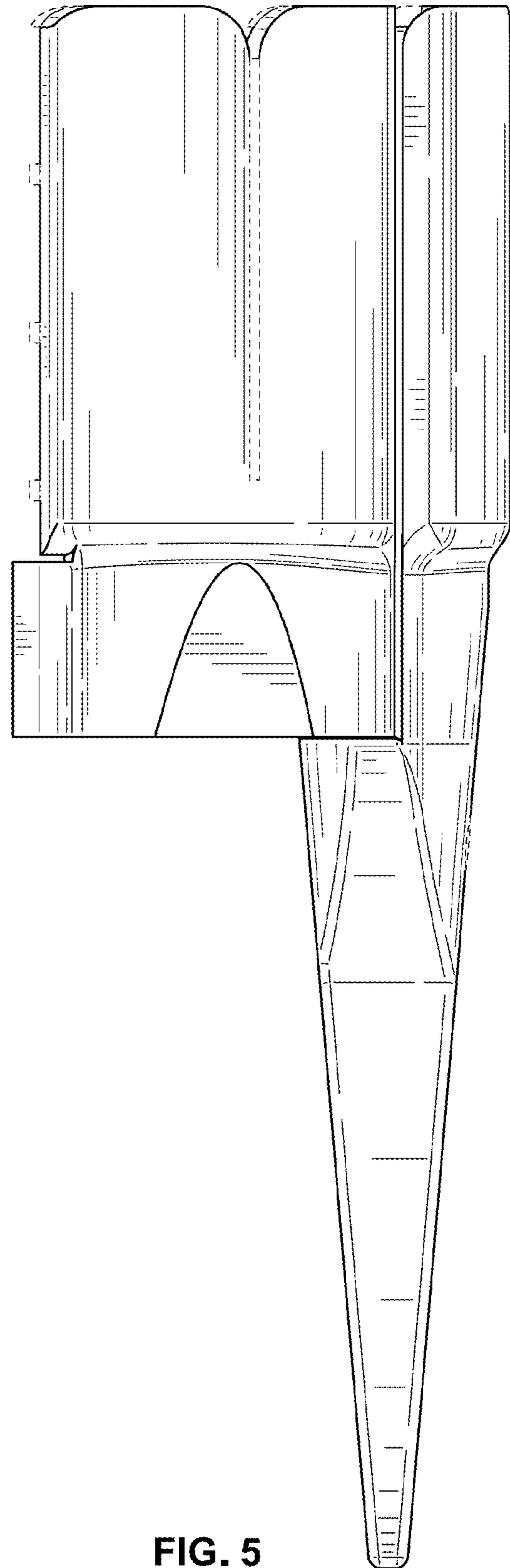


FIG. 5

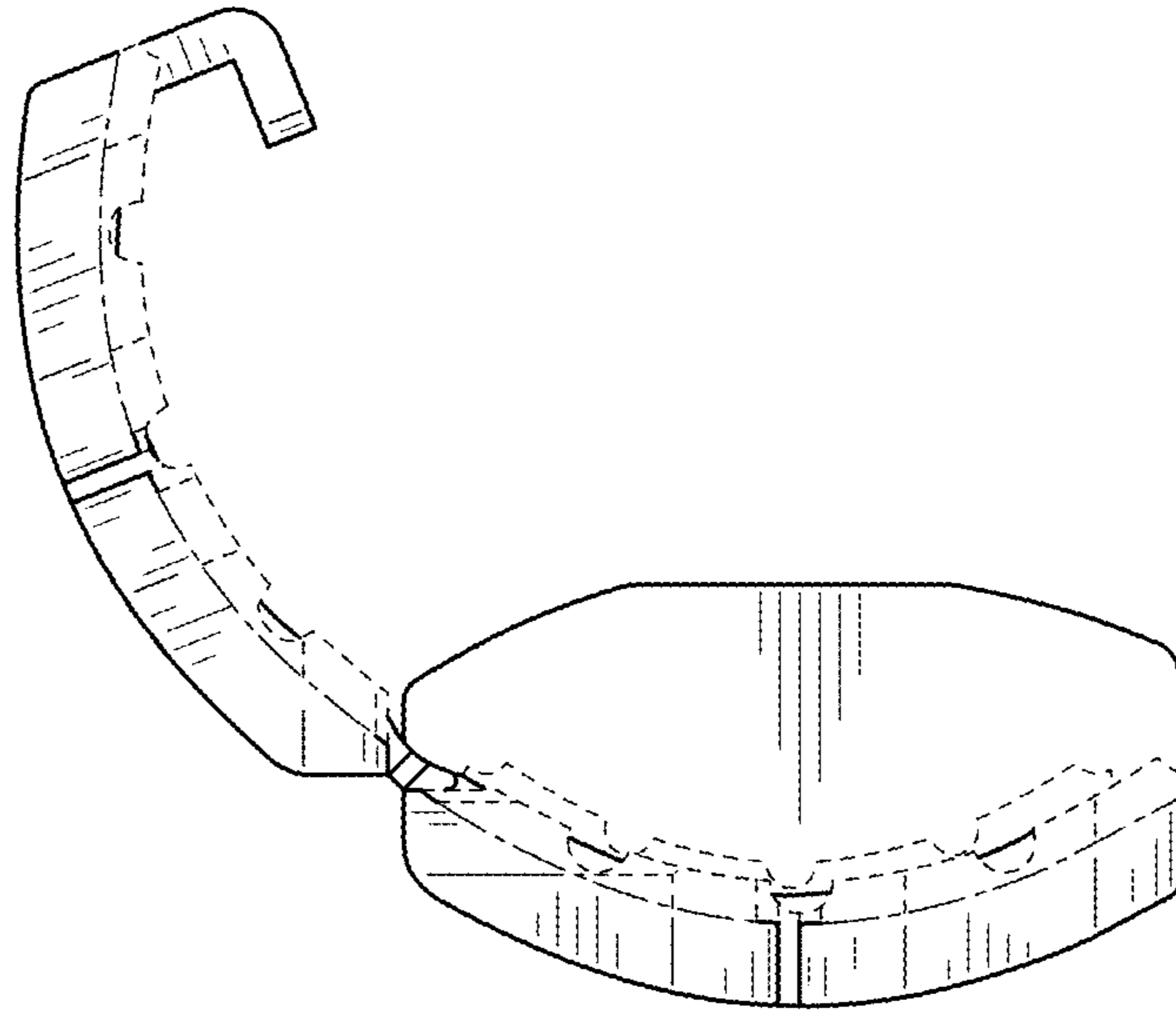


FIG. 6

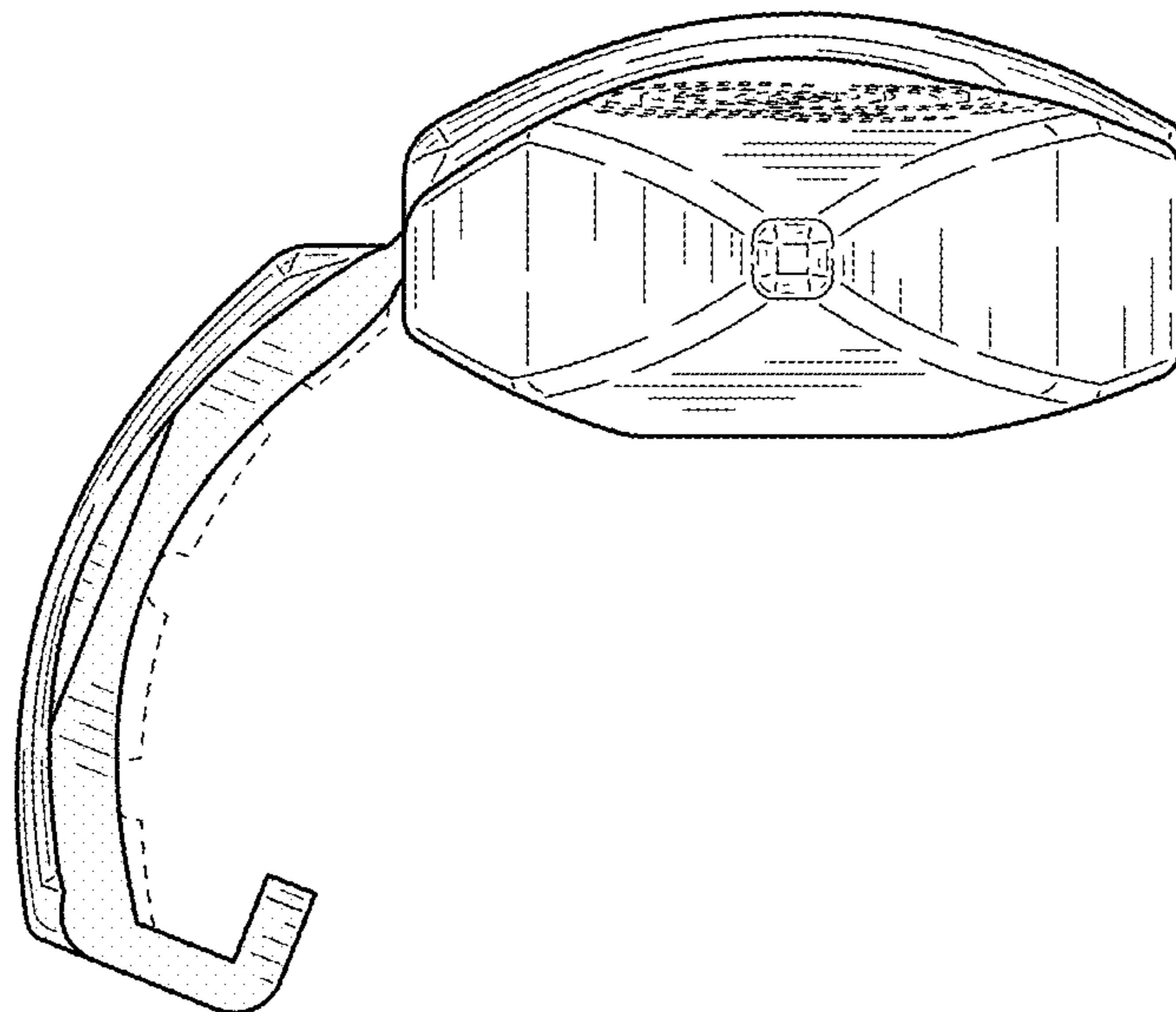


FIG. 7

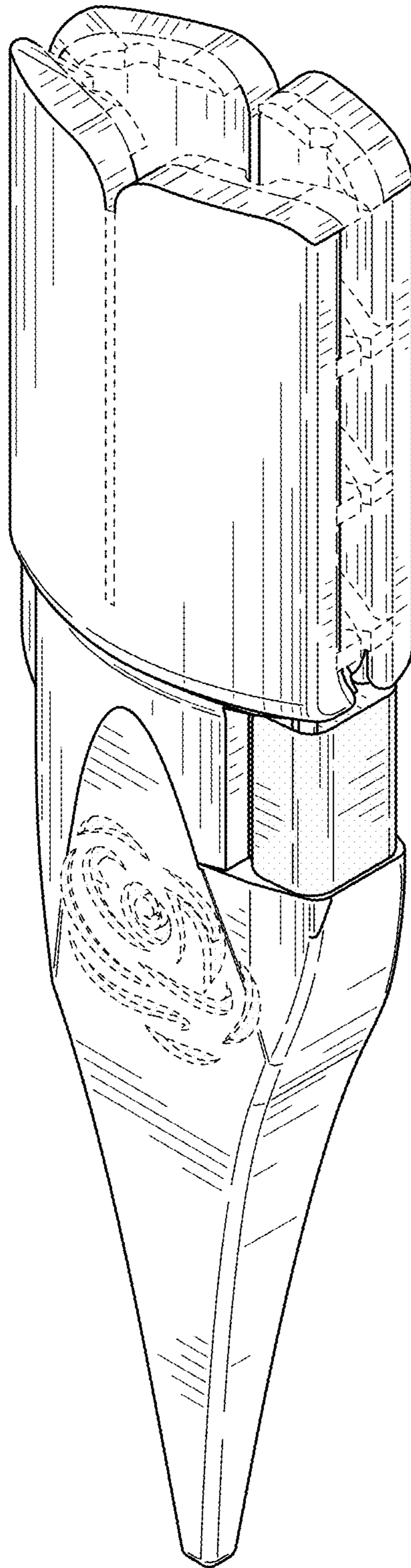


FIG. 8