



US00D906872S

(12) **United States Design Patent**  
**Giger**

(10) **Patent No.:** **US D906,872 S**

(45) **Date of Patent:** **\*\* Jan. 5, 2021**

- (54) **CLASP FOR WATCH BRACELET**
- (71) Applicant: **Richemont International SA**,  
Villars-sur-Glane (CH)
- (72) Inventor: **David Giger**, Beringen (CH)
- (73) Assignee: **Richemont International AG**,  
Villars-sur-Glane (CH)

- 4,270,201 A \* 5/1981 Pyne ..... G04B 37/1493  
368/282
- 6,944,916 B2 \* 9/2005 Kawagoe ..... A44C 5/185  
24/265 WS
- 8,789,245 B2 \* 7/2014 Leger ..... G04B 37/14  
24/71 J
- 9,491,992 B2 \* 11/2016 Kaltenrieder ..... A44C 5/24
- 9,526,305 B2 \* 12/2016 Granito ..... A44C 5/246
- 10,149,520 B2 \* 12/2018 Mace ..... A44C 5/145

\* cited by examiner

- (\*\*) Term: **15 Years**
- (21) Appl. No.: **29/698,500**

*Primary Examiner* — Zenia I Bennett  
(74) *Attorney, Agent, or Firm* — Taft Stettinius &  
Hollister LLP

- (22) Filed: **Jul. 17, 2019**

(57) **CLAIM**

(30) **Foreign Application Priority Data**

The ornamental design for a clasp for watch bracelet, as shown and described.

Jan. 21, 2019 (WO) ..... 970008833

**DESCRIPTION**

- (51) **LOC (13) Cl.** ..... **11-01**
- (52) **U.S. Cl.**  
USPC ..... **D11/94**
- (58) **Field of Classification Search**  
USPC ..... D11/1-29, 86-88, 94; D10/30, 32, 38  
CPC .. A44C 5/00; A44C 5/18; A44C 5/185; A44C  
5/20; A44C 5/14  
See application file for complete search history.

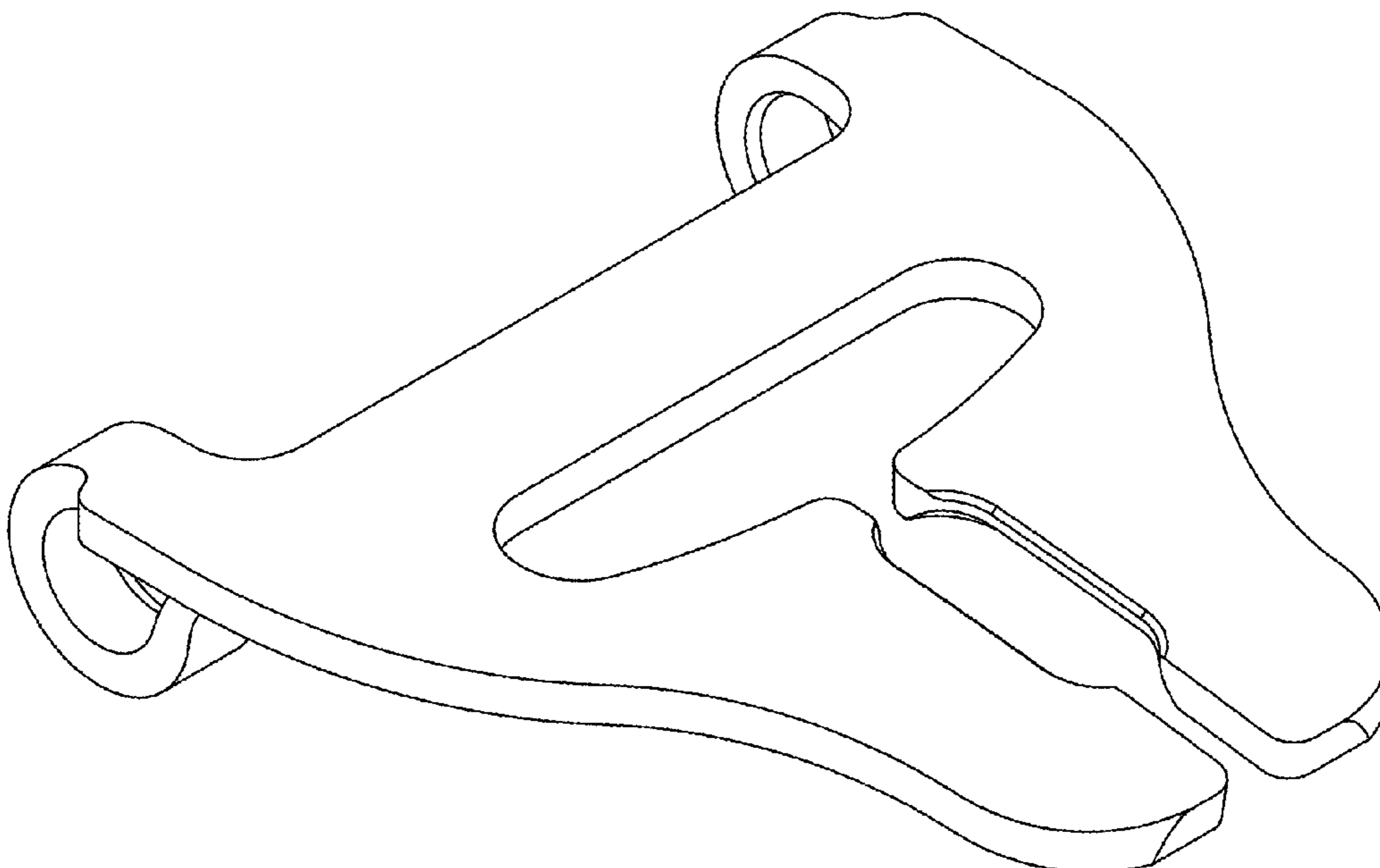
FIG. 1 is a front elevational view of a clasp for watch bracelet showing my new design;  
 FIG. 2 is a back elevational view thereof;  
 FIG. 3 is a top plan view thereof;  
 FIG. 4 is a bottom plan view thereof;  
 FIG. 5 is a right side elevational view thereof;  
 FIG. 6 is a left side elevational view thereof;  
 FIG. 7 is a front, top, right side perspective view thereof;  
 FIG. 8 is a back, top, left side perspective view thereof;  
 FIG. 9 is a back, top, left side perspective view of the clasp for watch bracelet, as shown in relation to a watch band in an exemplary operational position; and,  
 FIG. 10 is a back, bottom, right side perspective view of the clasp for watch bracelet, as shown in relation to the watch band in the exemplary operational position.  
 The broken lines in the drawing figures form no part of the claimed design.

(56) **References Cited**

U.S. PATENT DOCUMENTS

- 1,700,992 A \* 2/1929 Augenstein ..... A44C 5/14  
24/265 WS
- 1,738,767 A \* 12/1929 Felsenfeld ..... A44C 5/14  
24/600.9
- 2,896,289 A \* 7/1959 Rodriguez ..... A44C 5/14  
24/647
- 3,531,948 A \* 10/1970 Anderson ..... A44C 5/185  
63/5.1

**1 Claim, 10 Drawing Sheets**



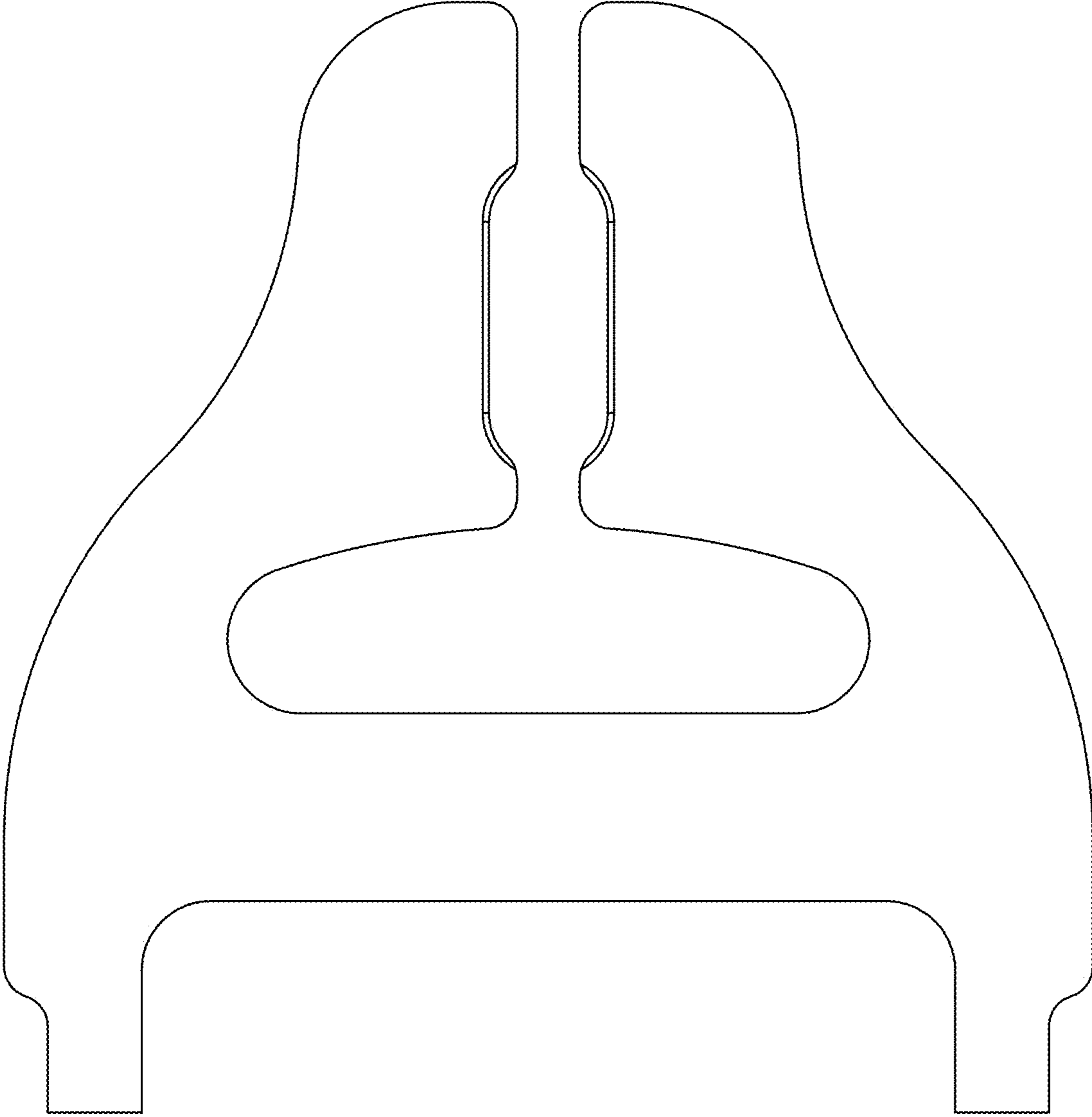


Fig. 1

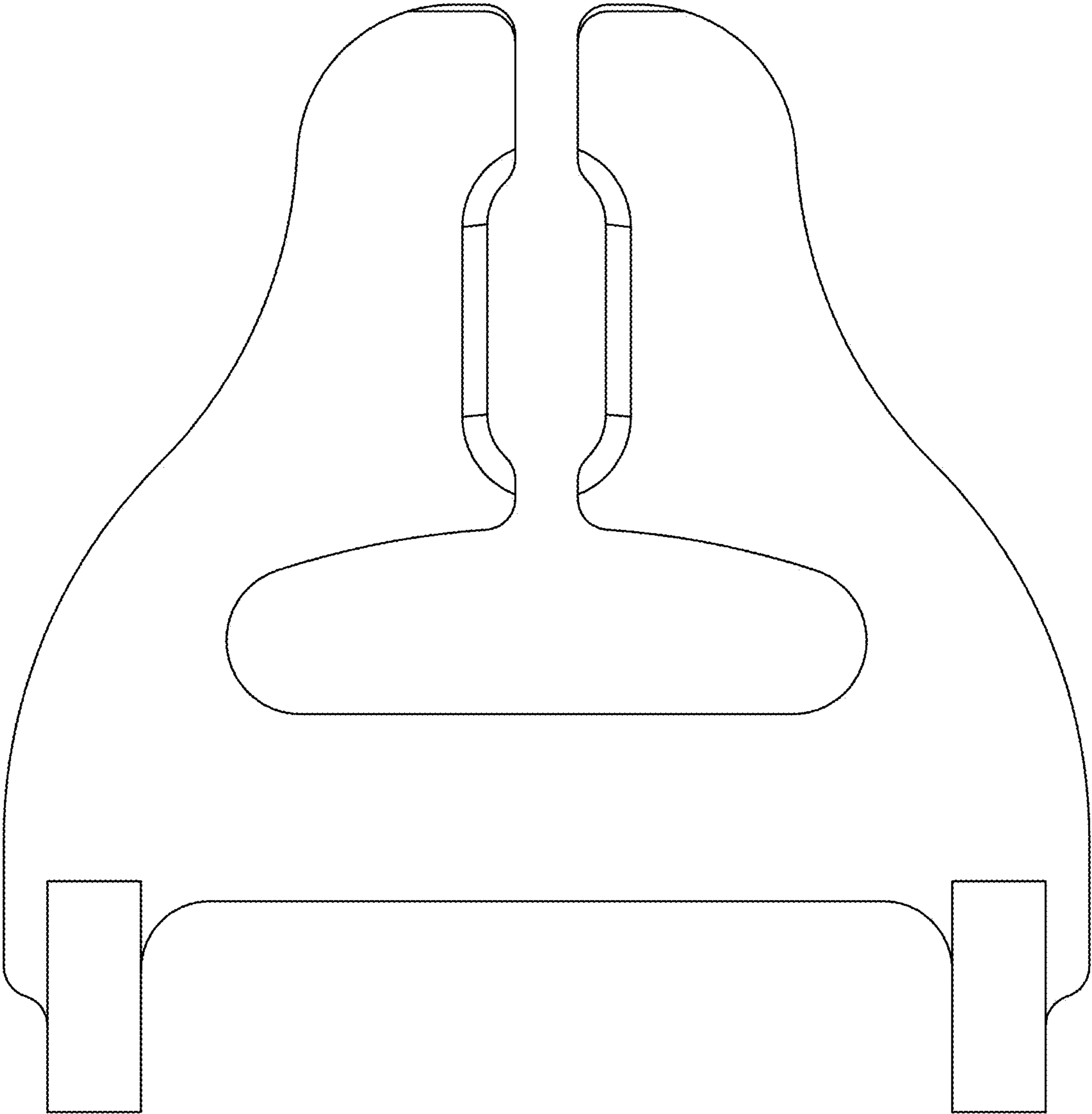


Fig. 2

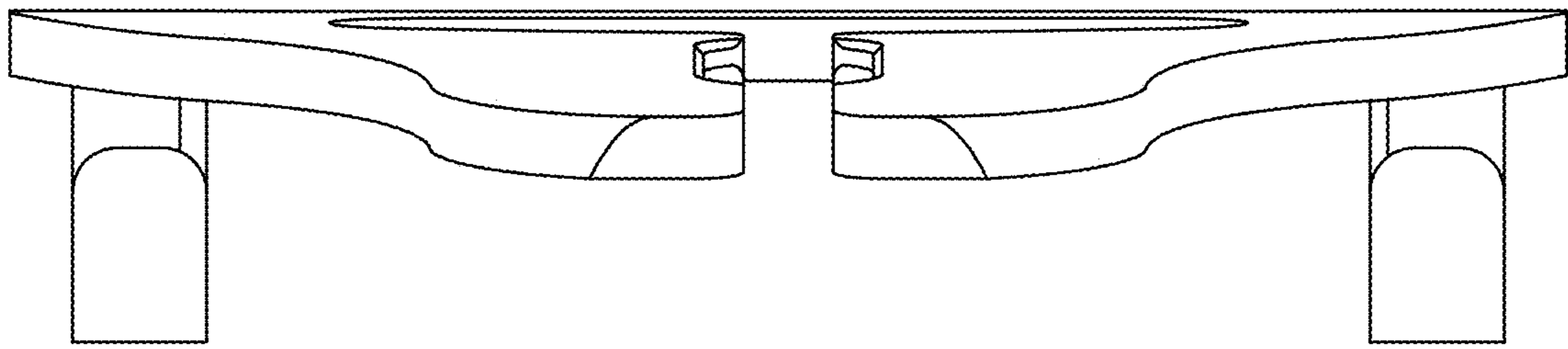


Fig. 3

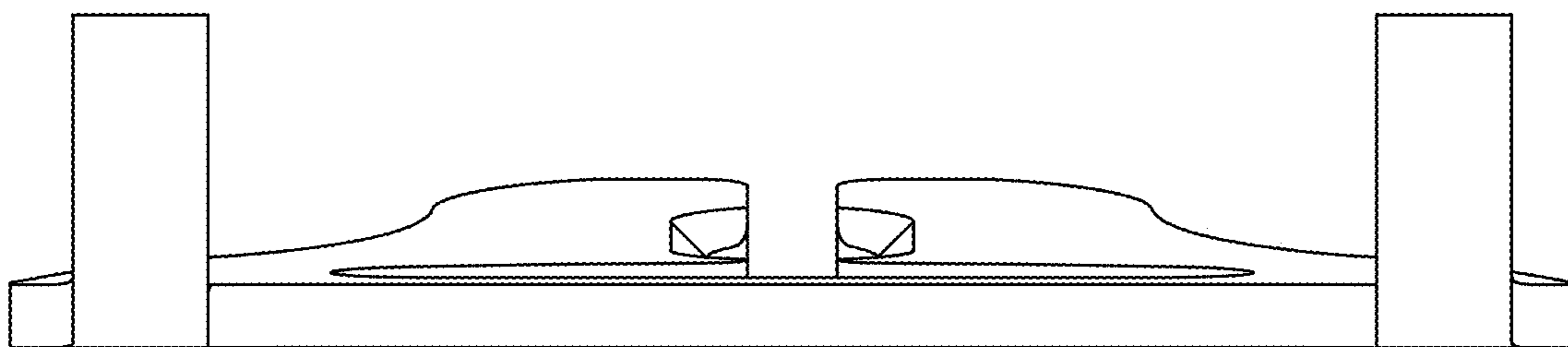


Fig. 4

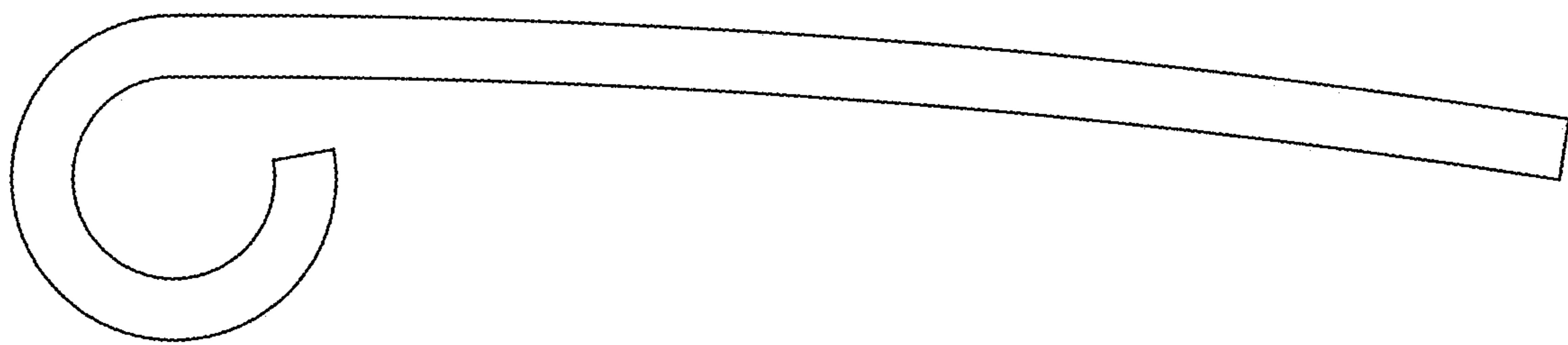


Fig. 5

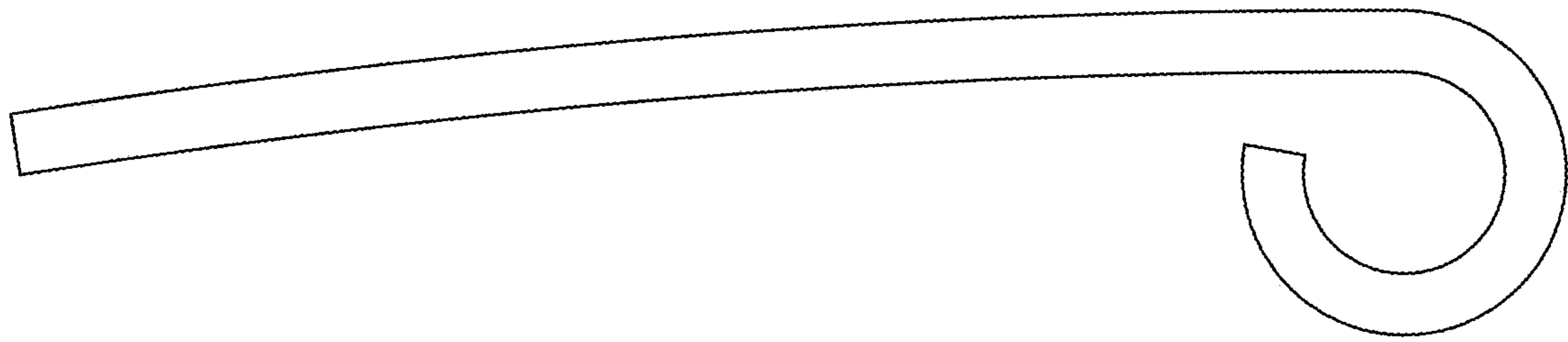


Fig. 6

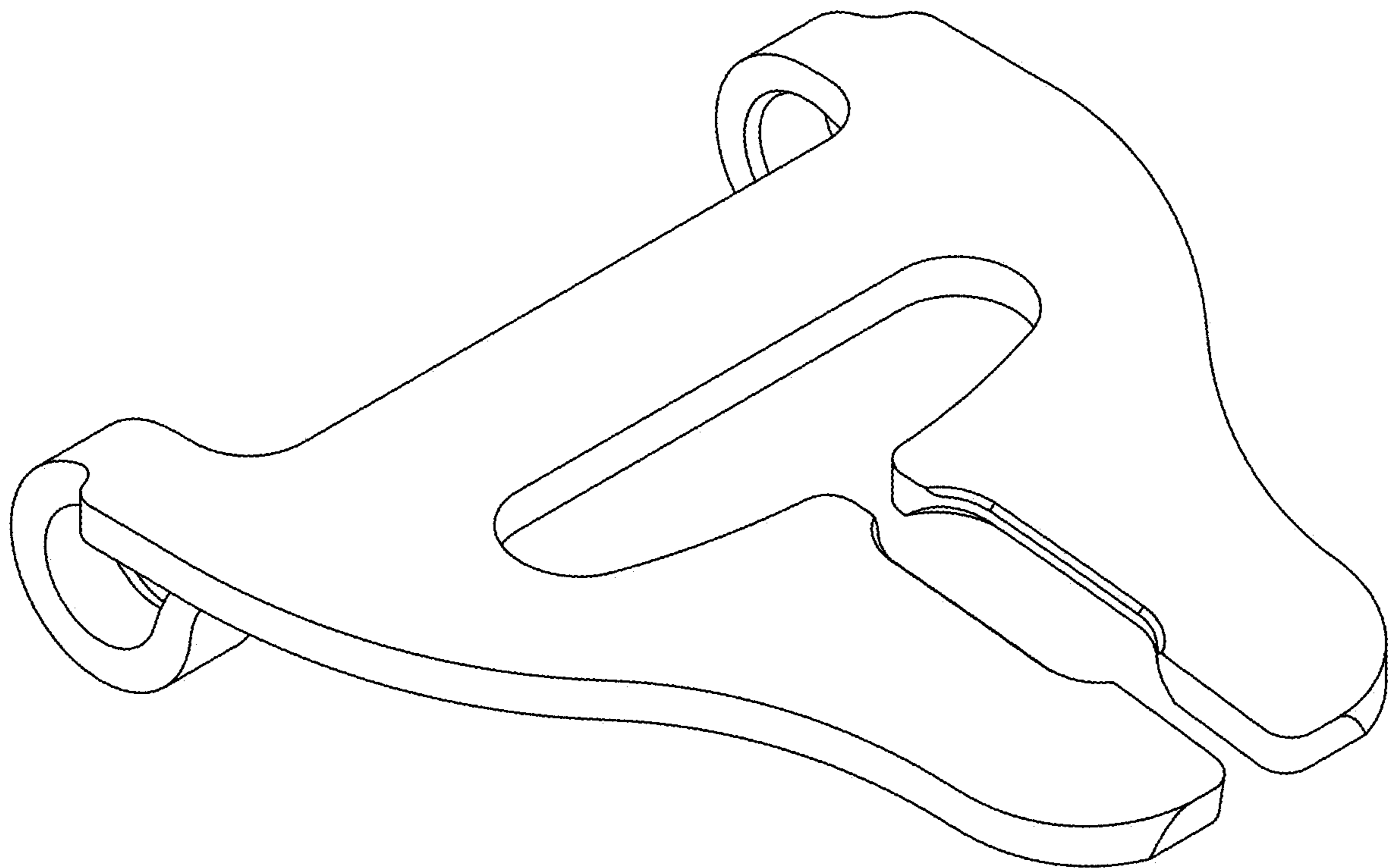


Fig. 7



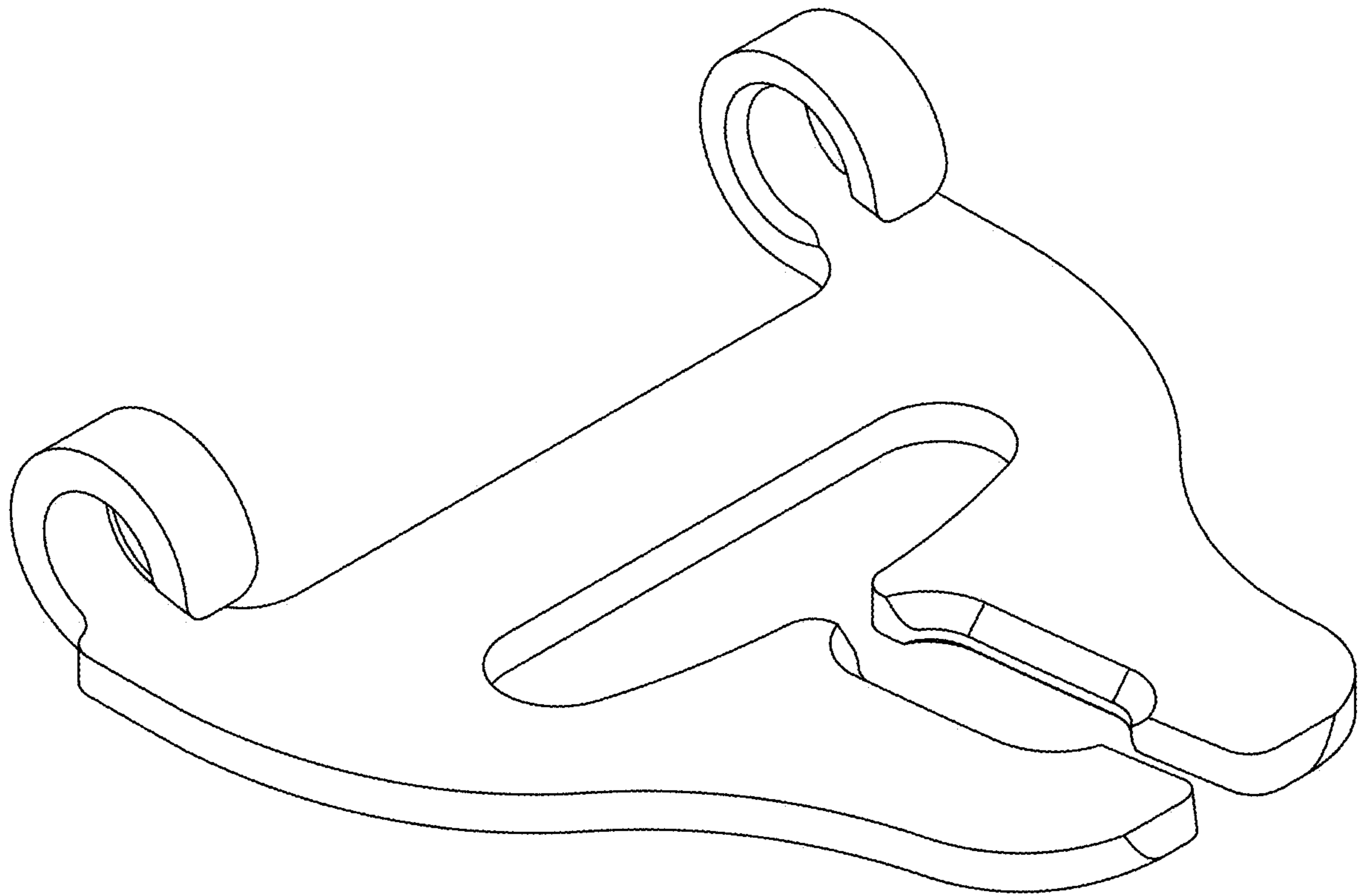


Fig. 8

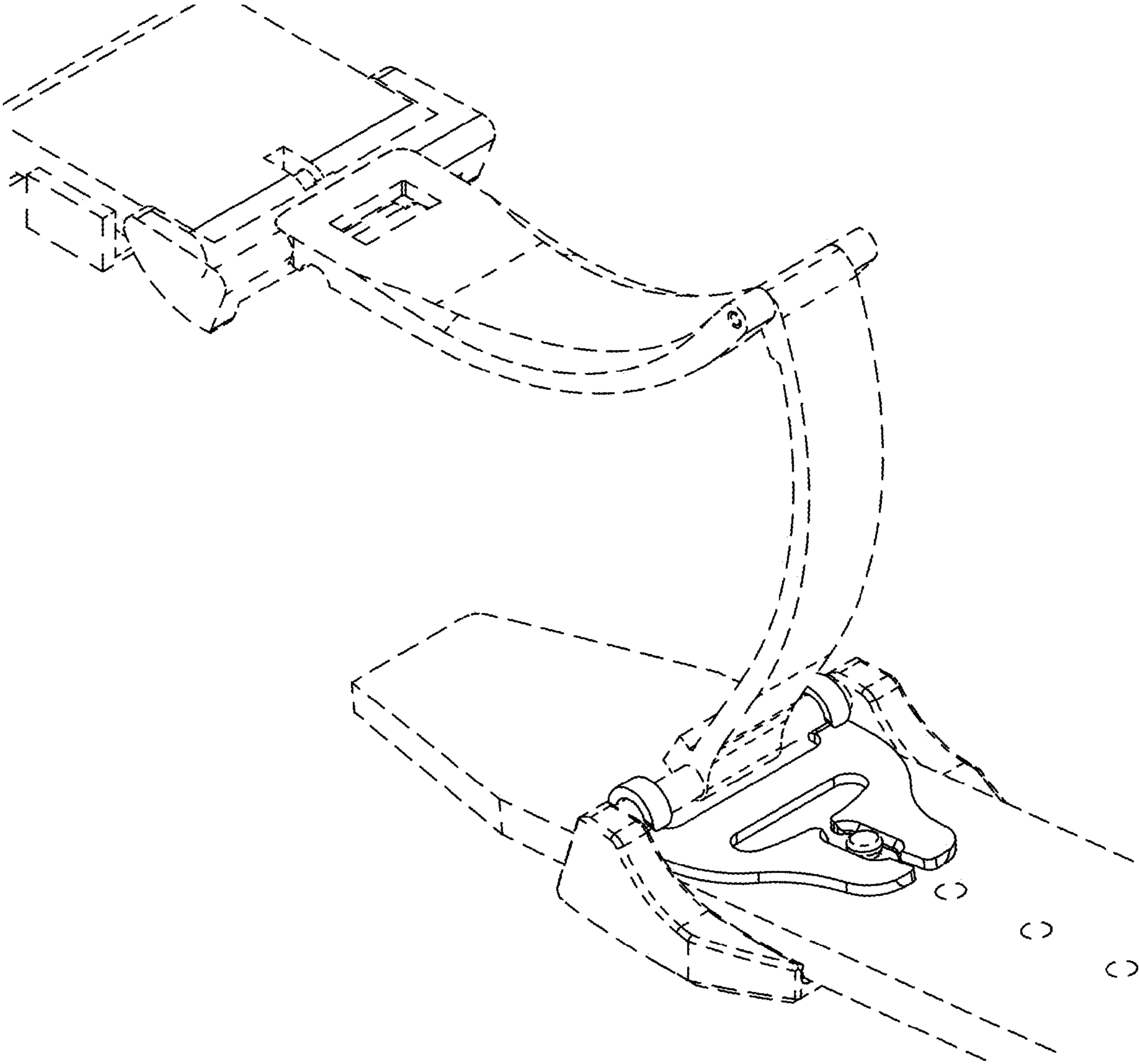


Fig. 9

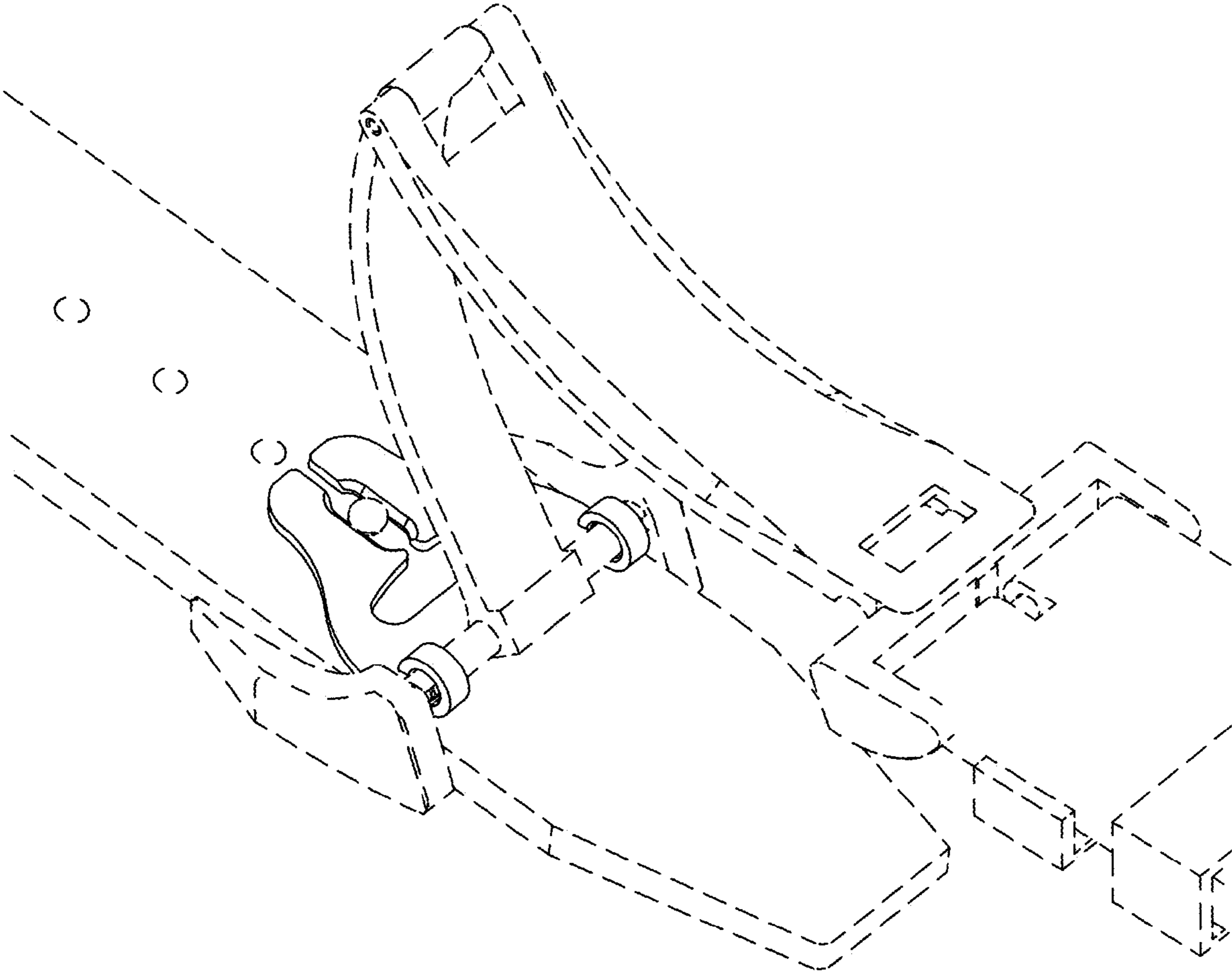


Fig. 10