



US00D906869S

(12) **United States Design Patent** (10) **Patent No.:** **US D906,869 S**  
**Yaegashi et al.** (45) **Date of Patent:** **\*\* Jan. 5, 2021**

(54) **WRIST BAND ATTACHMENT**  
(71) Applicant: **SONY CORPORATION**, Tokyo (JP)  
(72) Inventors: **Ryoko Yaegashi**, Tokyo (JP); **Minoru Shimizu**, Kanagawa (JP)

D625,294 S 10/2010 Wada  
D688,582 S 8/2013 Wilson  
D688,967 S 9/2013 Wilson  
D767,435 S 9/2016 Lee  
10,448,711 B2\* 10/2019 Kallman ..... A44C 5/14  
D869,982 S \* 12/2019 Paschke ..... D11/94  
10,524,548 B2\* 1/2020 Park ..... A44C 5/025

(73) Assignee: **SONY CORPORATION**, Tokyo (JP)

**FOREIGN PATENT DOCUMENTS**

(\*\*) Term: **15 Years**  
(21) Appl. No.: **29/672,575**  
(22) Filed: **Dec. 6, 2018**

JP D1235455 S 4/2005  
JP D1247710 S 8/2005  
KR 30-0746010 S 6/2014  
KR 30-0751906 S 7/2014  
KR 30-0867788 S 8/2016  
KR 30-0896944 S 3/2017

(30) **Foreign Application Priority Data**

\* cited by examiner

Jun. 6, 2018 (JP) ..... D2018-012492  
Jun. 6, 2018 (JP) ..... D2018-012493  
Jun. 6, 2018 (JP) ..... D2018-012494

*Primary Examiner* — Zenia I Bennett  
(74) *Attorney, Agent, or Firm* — Michael Best and Friedrich LLP

(51) **LOC (13) Cl.** ..... **11-01**  
(52) **U.S. Cl.**  
USPC ..... **D11/94**

(57) **CLAIM**

The ornamental design for a wrist band attachment, as shown and described.

(58) **Field of Classification Search**  
USPC ..... D11/1-29, 86-88, 94; D10/30, 32, 38  
CPC .. A44C 5/00; A44C 5/18; A44C 5/185; A44C 5/20; A44C 5/14  
See application file for complete search history.

**DESCRIPTION**

FIG. 1 is a perspective view of a first embodiment of a wrist band attachment showing our new design; FIG. 2 is a front elevational view thereof; FIG. 3 is a rear elevational view thereof; FIG. 4 is a right side elevational view thereof; FIG. 5 is a left side elevational view thereof; FIG. 6 is a top plan view thereof; and, FIG. 7 is a bottom plan view thereof. FIG. 8 is another perspective view thereof wherein the end piece of the attachment is in a turned position. The broken lines illustrating the unclaimed portions of the wrist band attachment form no part of the claimed design. The dot-dash broken lines defining the boundaries of the claimed design form no part of the claimed design.

(56) **References Cited**

**1 Claim, 5 Drawing Sheets**

**U.S. PATENT DOCUMENTS**

3,612,365 A \* 10/1971 Dintsman ..... G04B 37/1493  
24/265 WS  
3,675,284 A \* 7/1972 Rieth ..... A44C 5/14  
24/265 B  
3,678,544 A \* 7/1972 Bert ..... G04B 37/1486  
24/265 B  
D446,511 S 8/2001 Kannno et al.  
D475,359 S 6/2003 Hirose  
D500,484 S 1/2005 Deguchi  
D516,443 S 3/2006 Gotou et al.  
D583,365 S 12/2008 Suk et al.

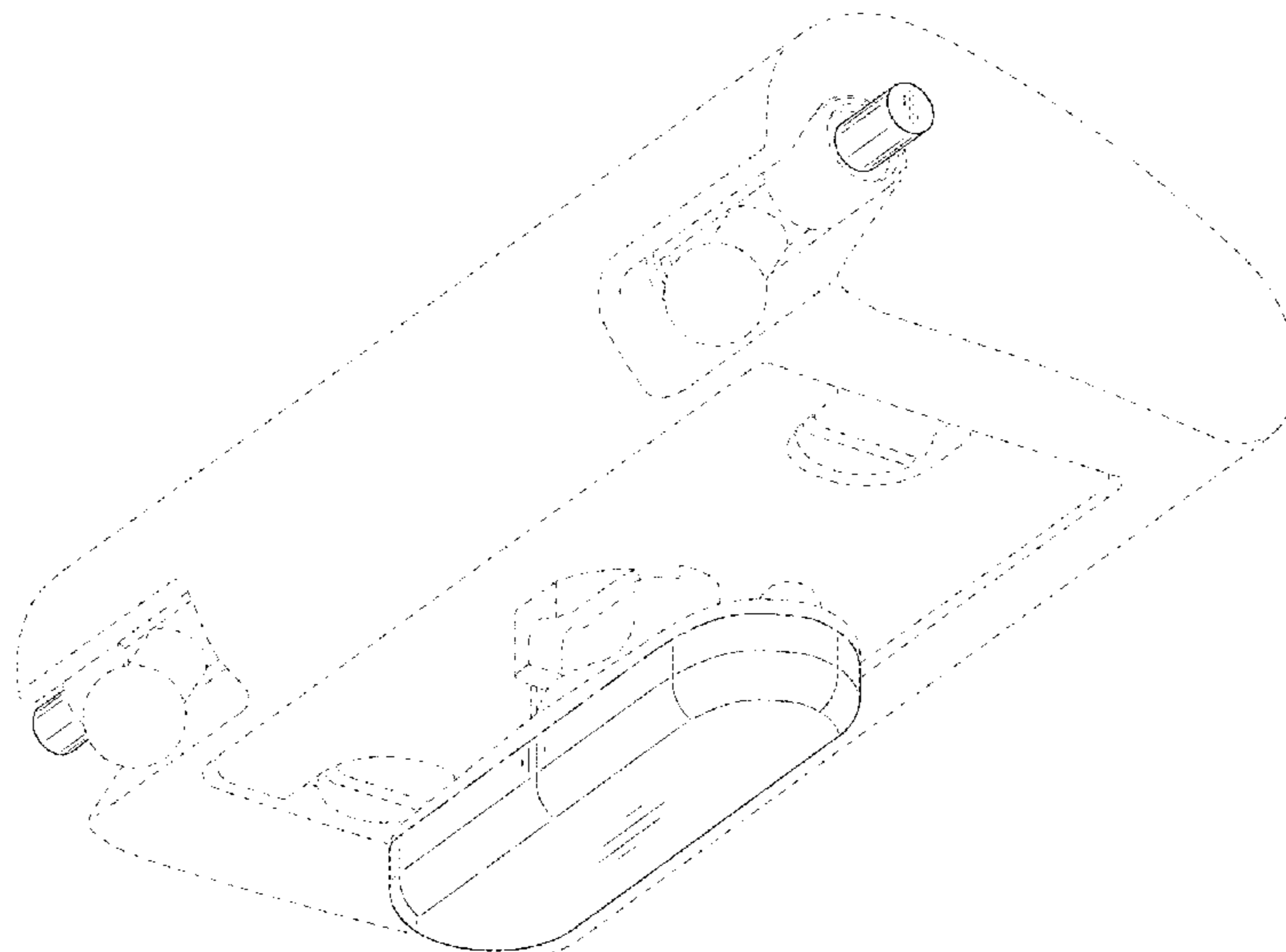


Fig. 1

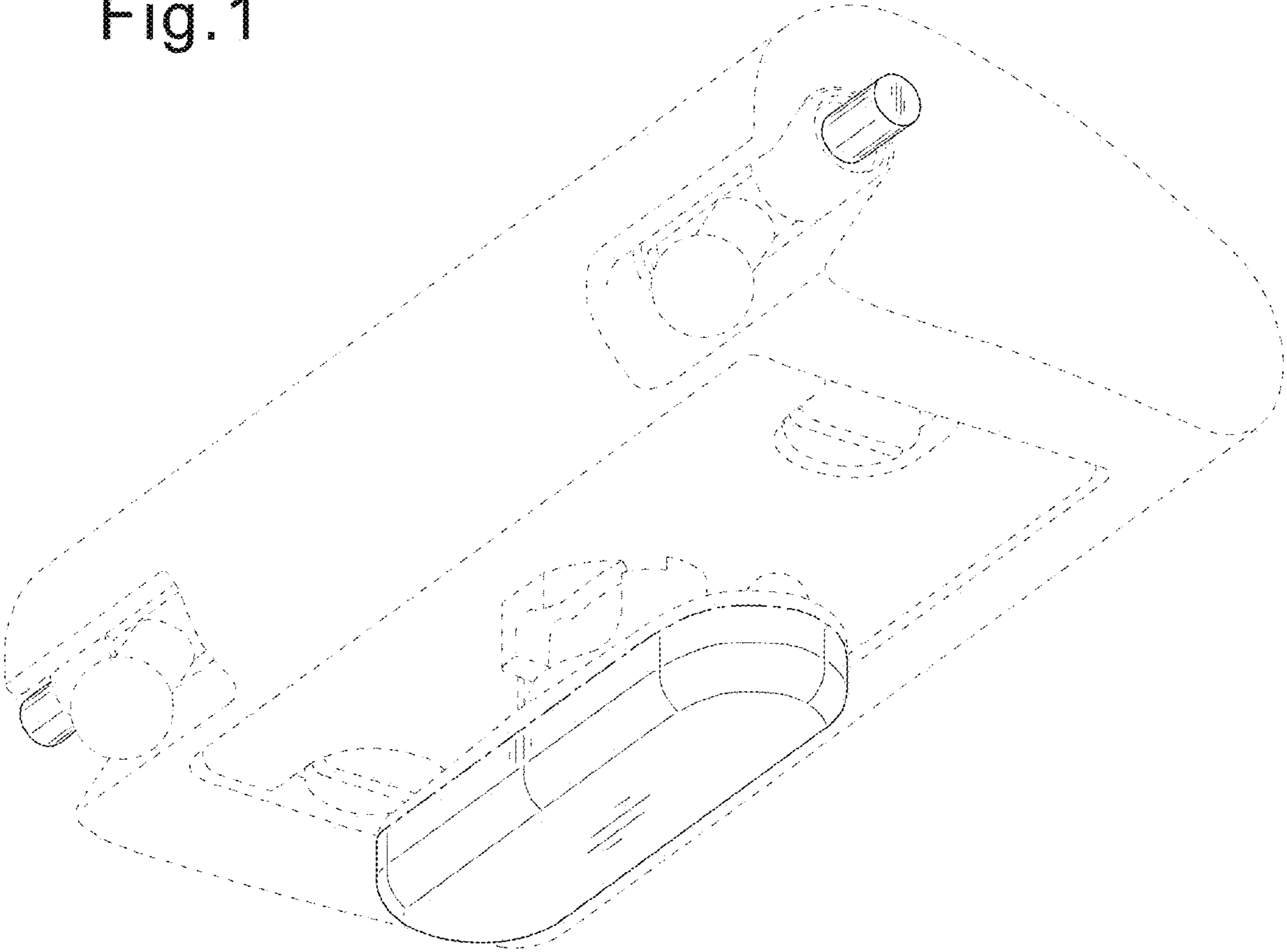


Fig.2

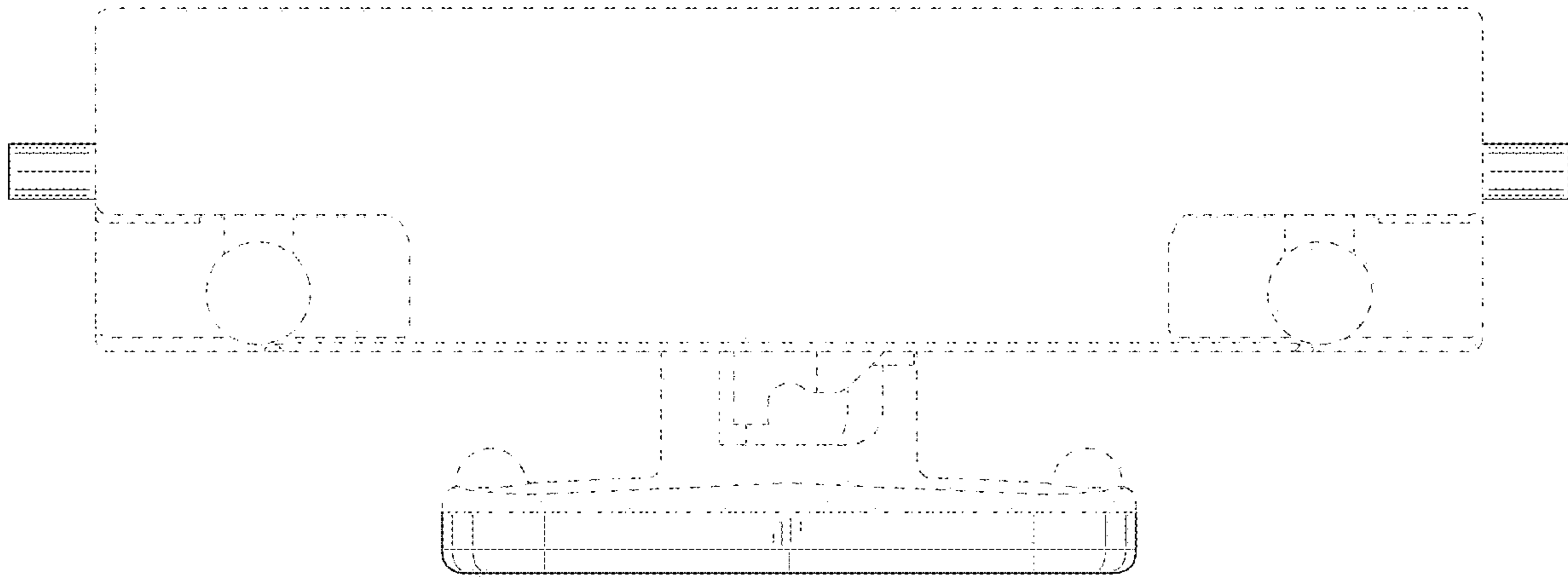


Fig.3

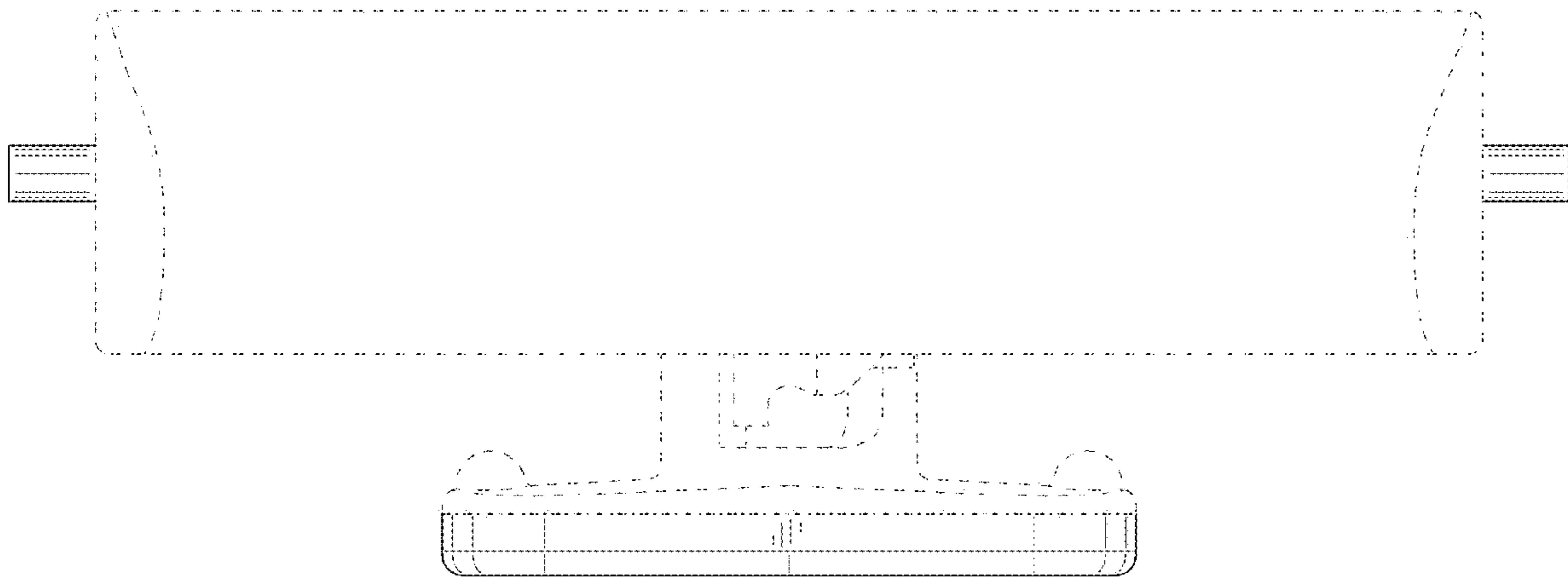


Fig.4

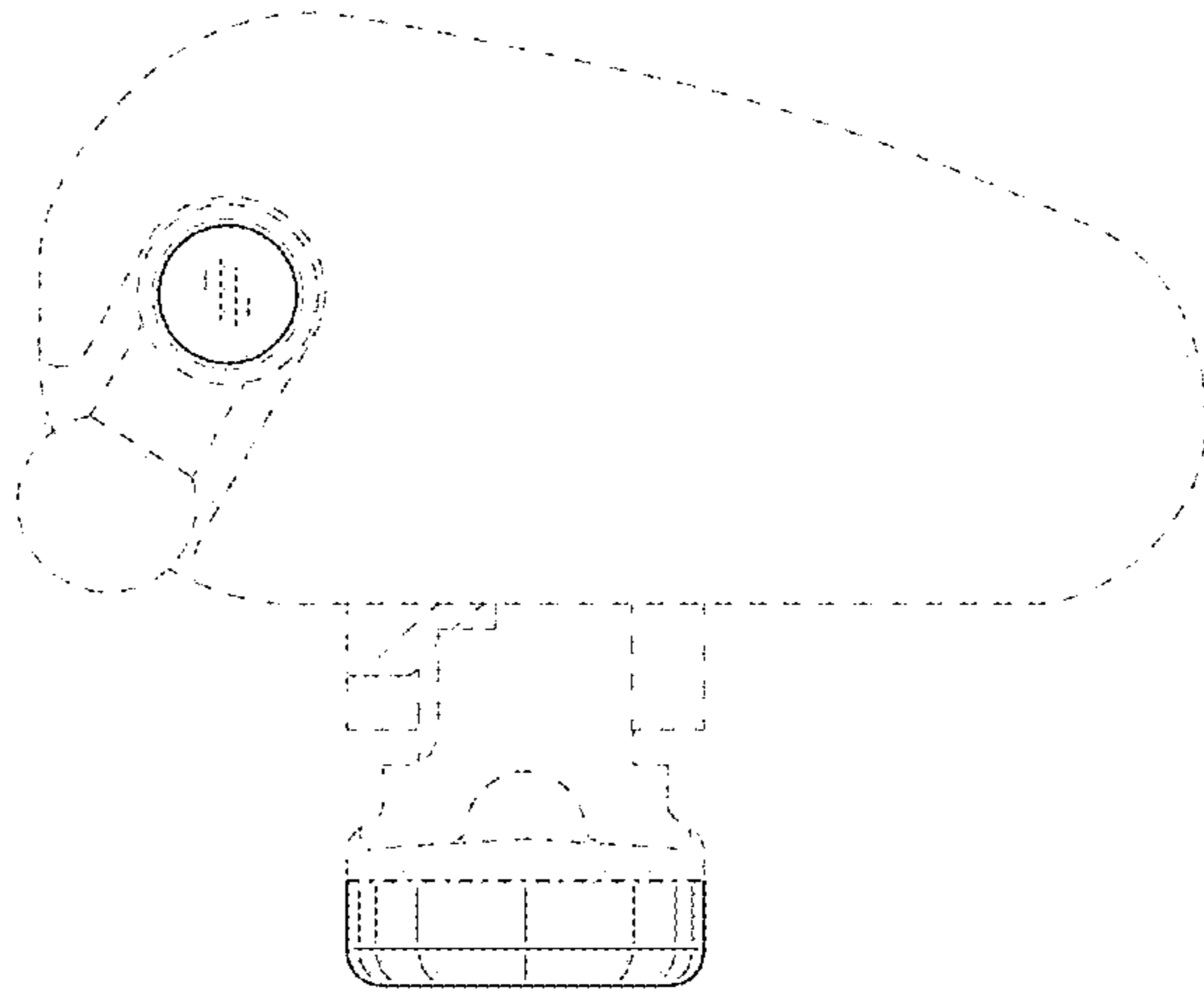


Fig.5

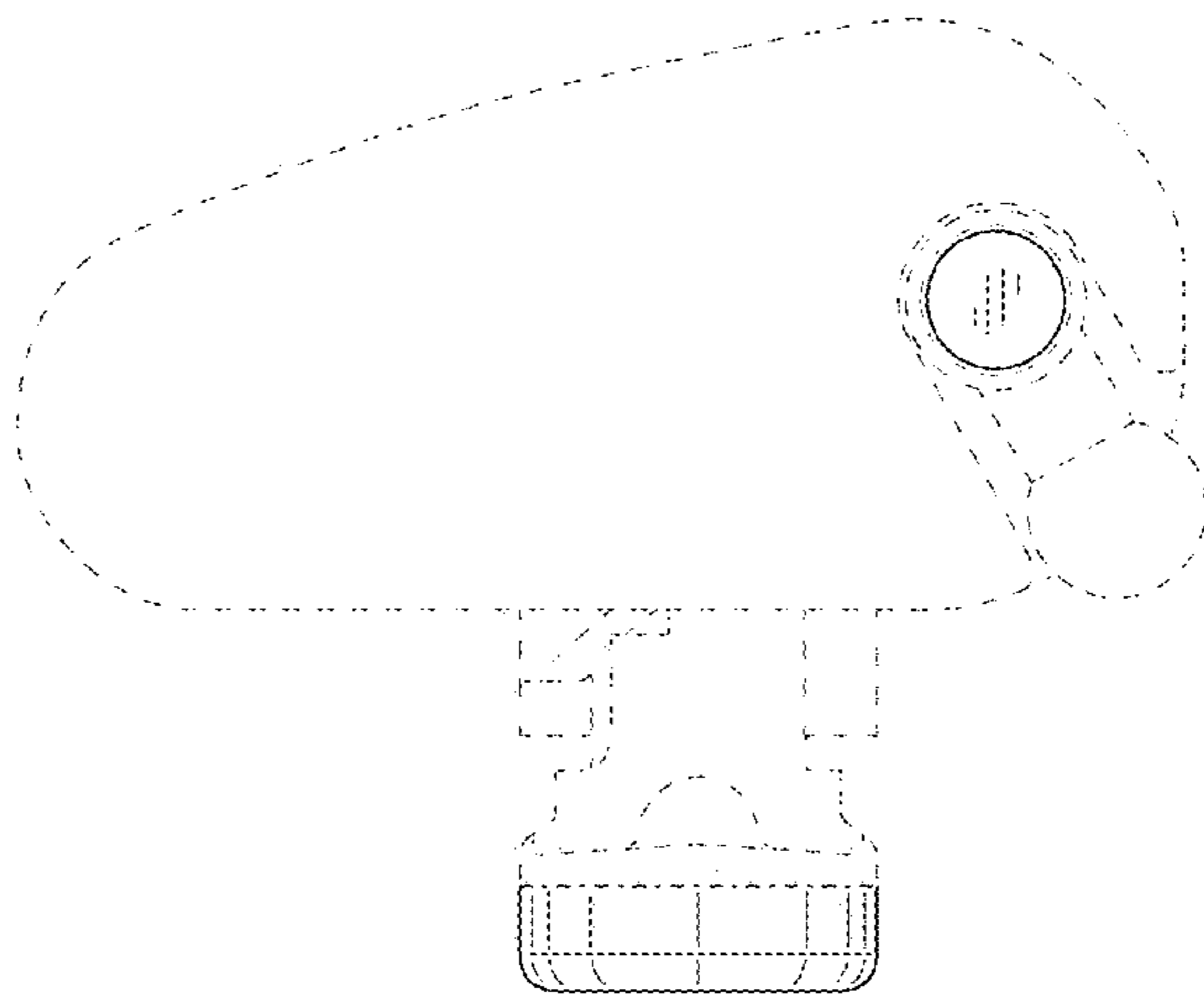


Fig.6



Fig.7

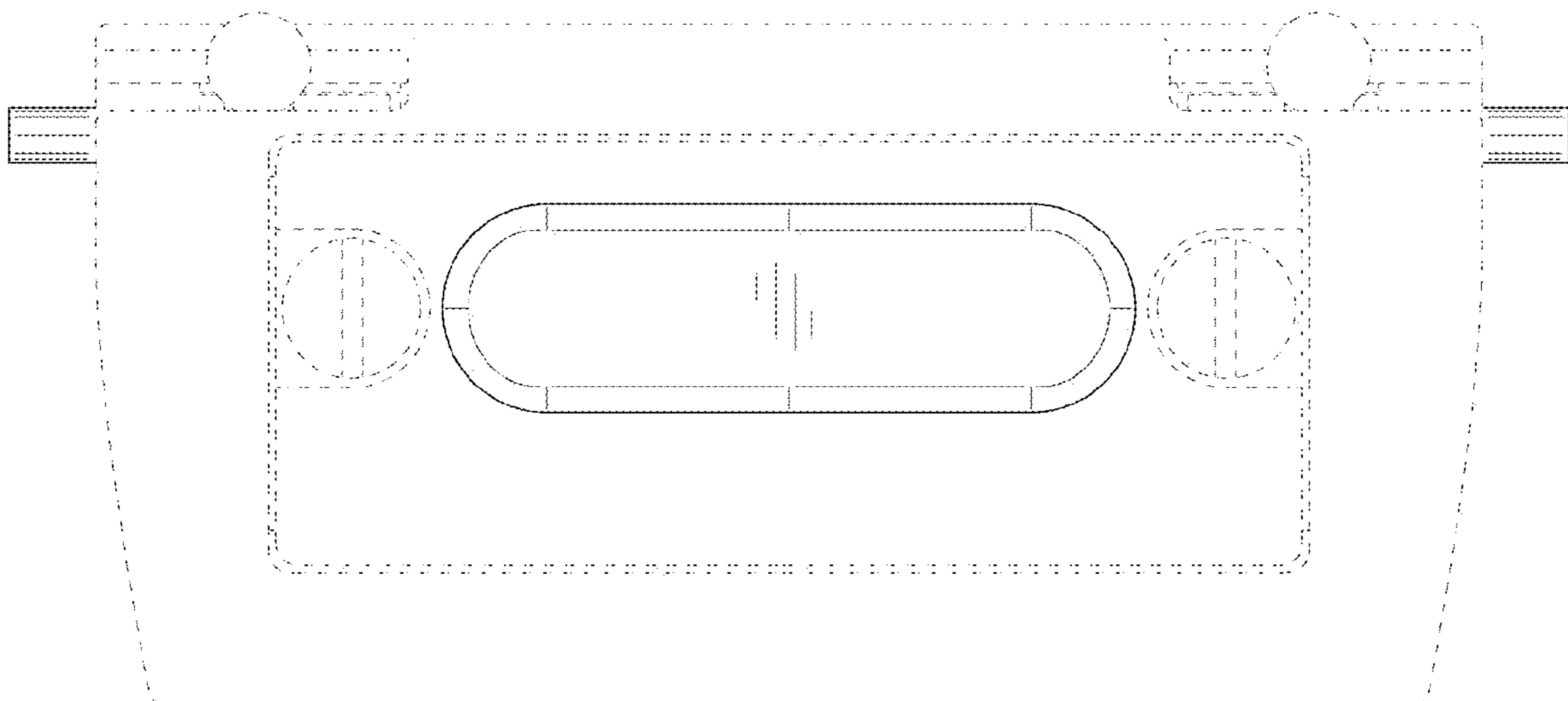


Fig.8

