



US00D906868S

(12) **United States Design Patent**
Devaney et al.

(10) **Patent No.:** **US D906,868 S**

(45) **Date of Patent:** **** Jan. 5, 2021**

(54) **WATCH BAND LINK**
(71) Applicant: **Sol-Light, LLC**, Las Vegas, NV (US)
(72) Inventors: **William F. Devaney**, Boston, MA (US);
Phillip Grandinetti, III, Carlsbad, CA (US);
Michael Massucco, Oakland, CA (US);
David Nelson, Las Vegas, NV (US)

(73) Assignee: **Sol-Light, LLC**, Las Vegas, NV (US)

(**) Term: **15 Years**

(21) Appl. No.: **29/695,173**

(22) Filed: **Jun. 17, 2019**

(51) **LOC (13) Cl.** **11-01**

(52) **U.S. Cl.**
USPC **D11/93**

(58) **Field of Classification Search**
USPC D11/1-29, 86-88, 94; D10/30, 32, 38
CPC .. A44C 5/00; A44C 5/02; A44C 5/025; A44C
5/027; A44C 5/04; A44C 5/06; A44C
5/08; A44C 5/10; A44C 5/102; A44C
5/105; A44C 5/107
See application file for complete search history.

(56) **References Cited**

U.S. PATENT DOCUMENTS

2,471,950	A *	5/1949	Gotti	A44C 5/02 59/80
3,237,395	A *	3/1966	Bennett	A44C 5/08 59/82
5,365,753	A *	11/1994	Carrola	A44C 5/027 63/4
6,272,836	B1 *	8/2001	Fat	A44C 5/107 59/80
6,298,650	B1 *	10/2001	Amundsen	A44C 5/105 59/80

6,345,492	B1 *	2/2002	Luscher	A44C 5/027 59/80
7,086,218	B1 *	8/2006	Pasach	A44C 5/10 29/896.412
2014/0086028	A1 *	3/2014	Carrion	A44C 5/025 368/282
2017/0105493	A1 *	4/2017	Bravo	A44C 5/04
2019/0254391	A1 *	8/2019	Celant	A44C 5/0053

* cited by examiner

Primary Examiner — Zenia I Bennett

(74) *Attorney, Agent, or Firm* — Banner & Witcoff, Ltd.

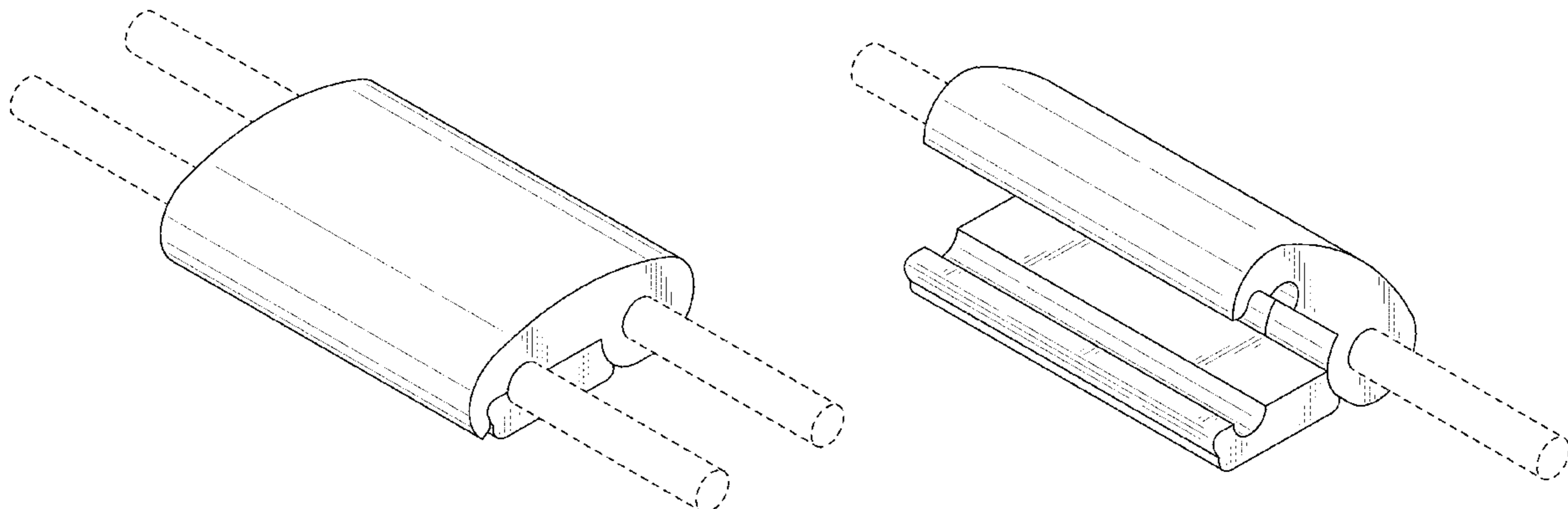
(57) **CLAIM**

The ornamental design for a watch band link, as shown and described.

DESCRIPTION

FIG. 1 is a top-front perspective view of a watch band link showing our new design in a closed state; FIG. 2 is a bottom-rear perspective view; FIG. 3 is a front view thereof; FIG. 4 is a rear view thereof; FIG. 5 is a right side view thereof; FIG. 6 is a left side view thereof; FIG. 7 is a top view thereof; FIG. 8 is a bottom view thereof; FIG. 9 is a top-front perspective view of a watch band link of FIGS. 1-8 shown in an open state; FIG. 10 is a bottom-rear perspective view; FIG. 11 is a front view thereof; FIG. 12 is a rear view thereof; FIG. 13 is a right side view thereof; FIG. 14 is a left side view thereof; FIG. 15 is a top view thereof; and, FIG. 16 is a bottom view thereof. The broken lines depict environmental features that form no part of the claimed design.

1 Claim, 12 Drawing Sheets



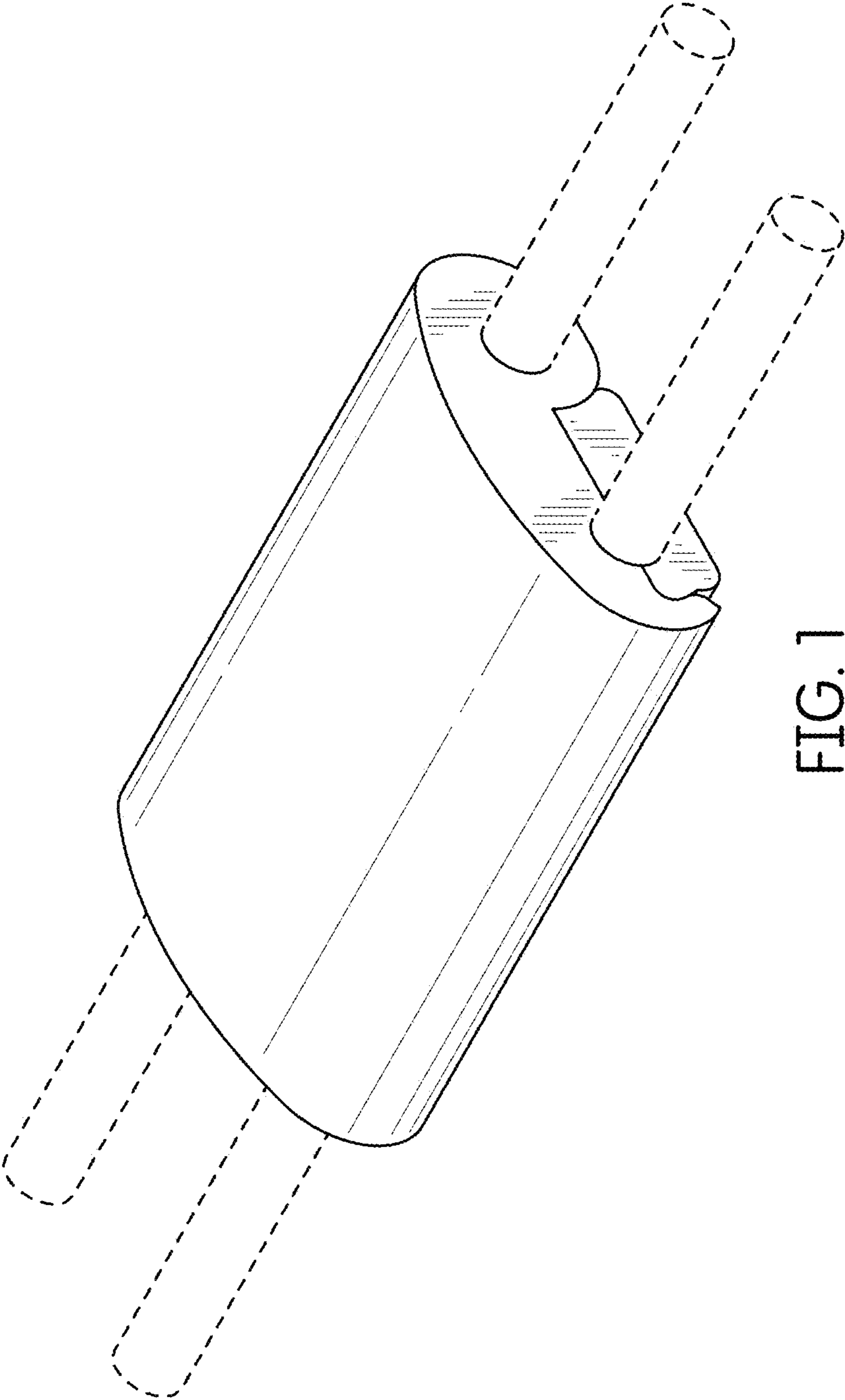


FIG. 1

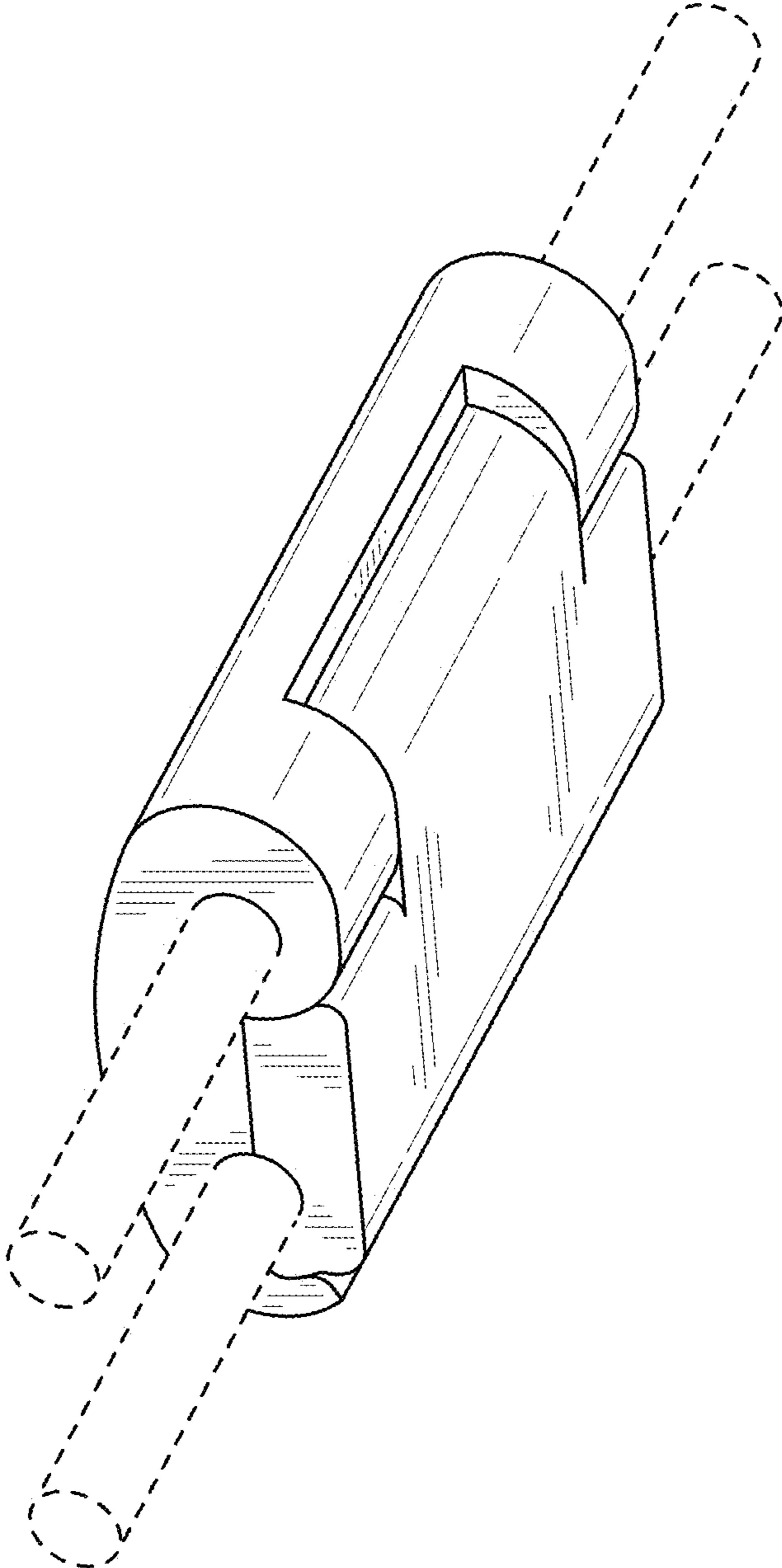


FIG. 2

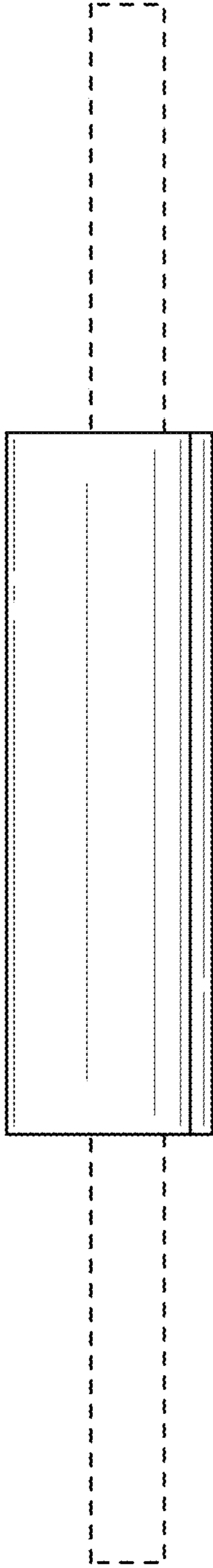


FIG. 3

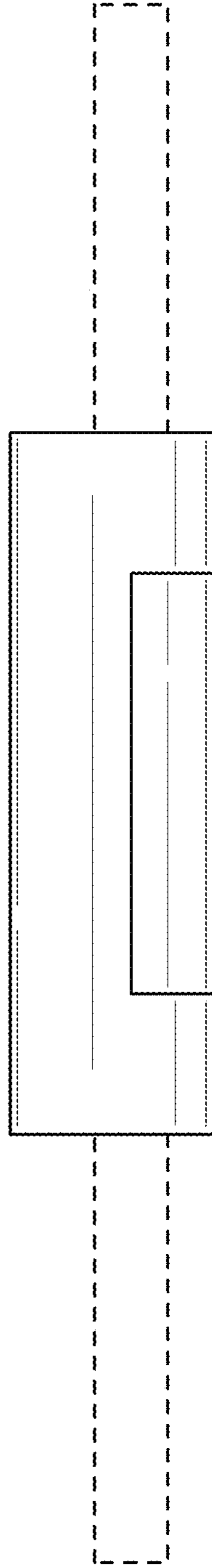


FIG. 4

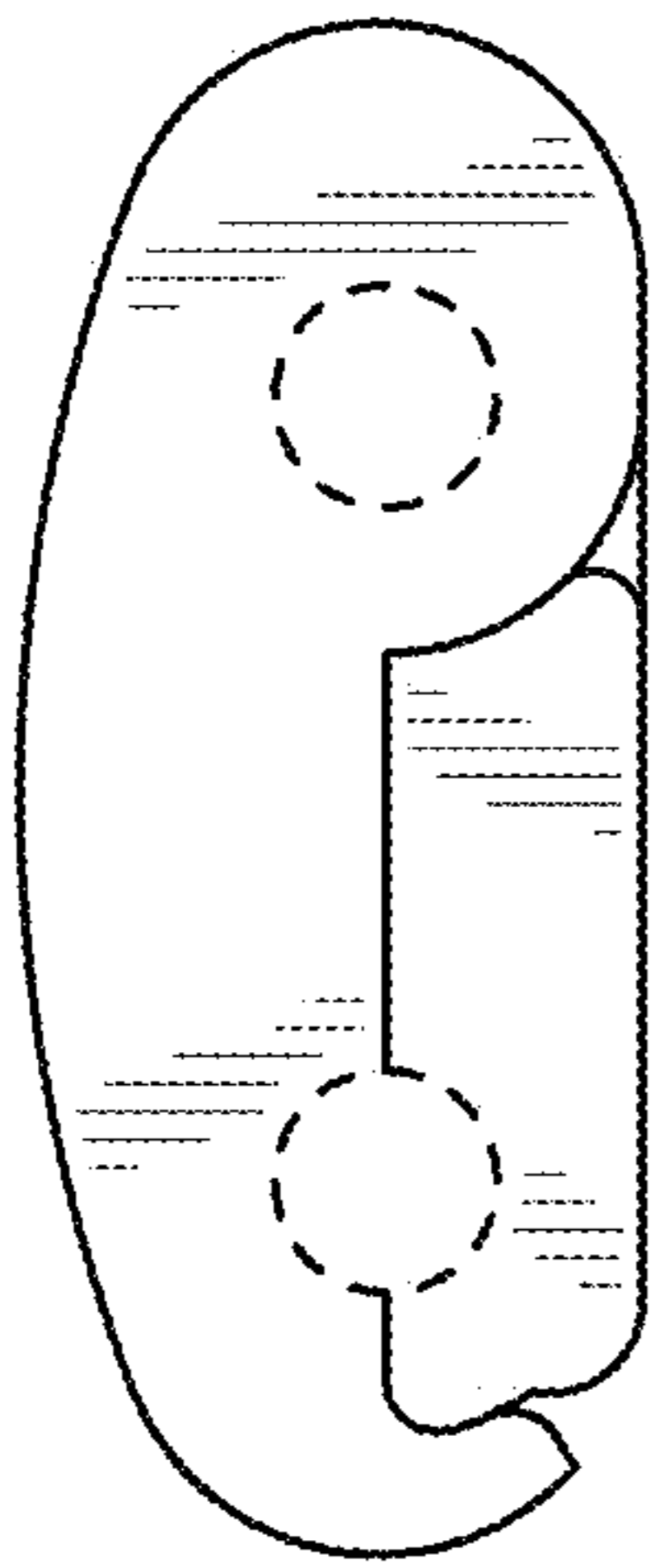


FIG. 5

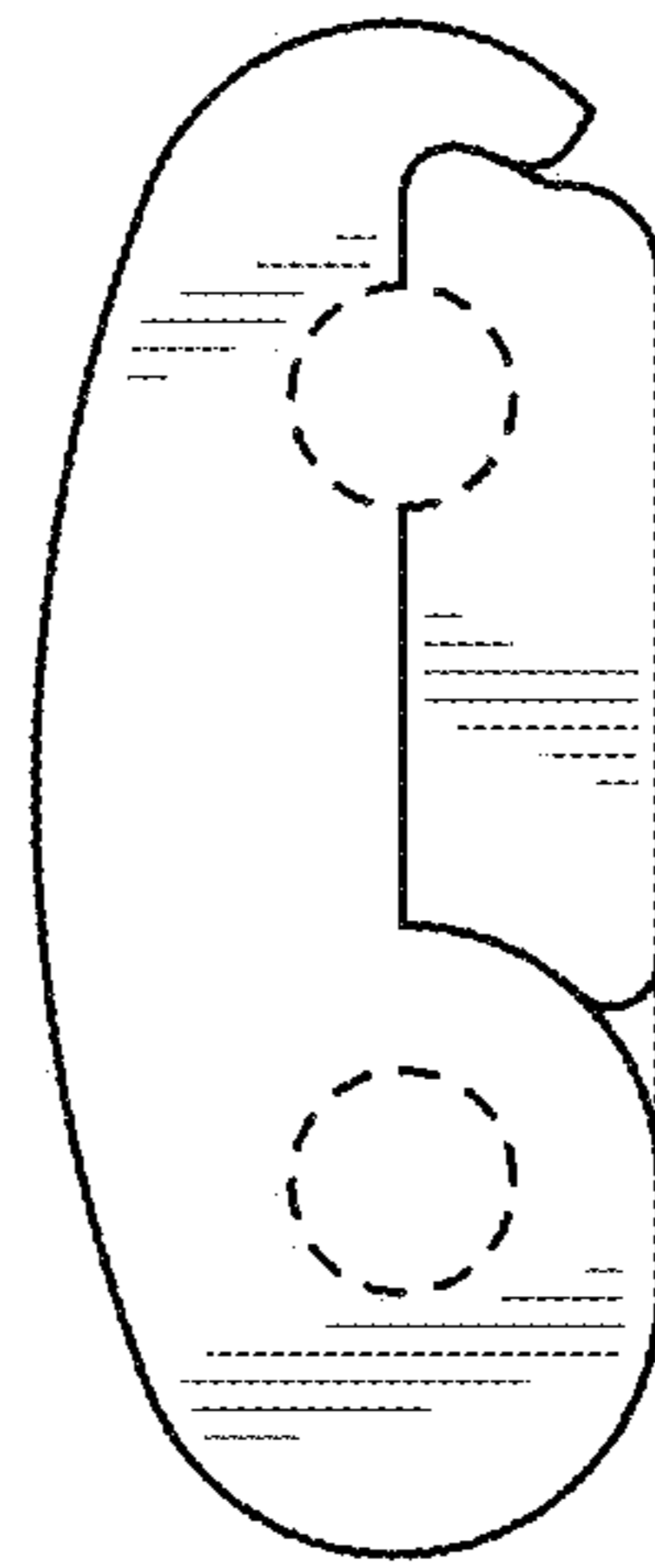


FIG. 6

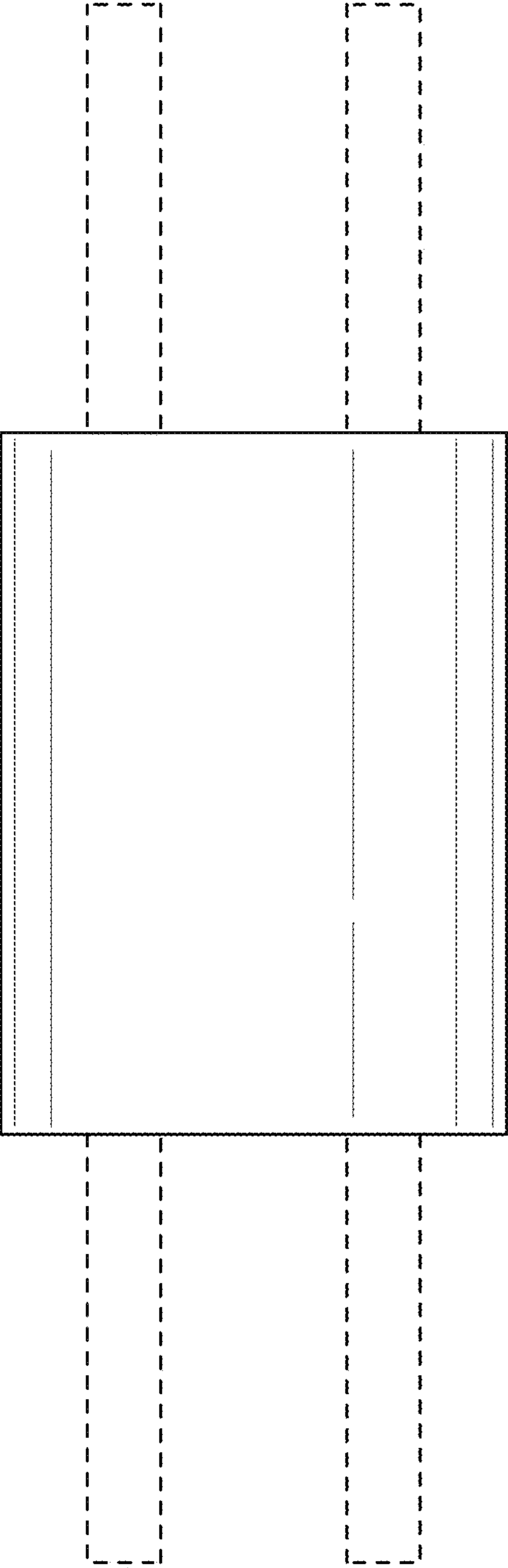


FIG. 7

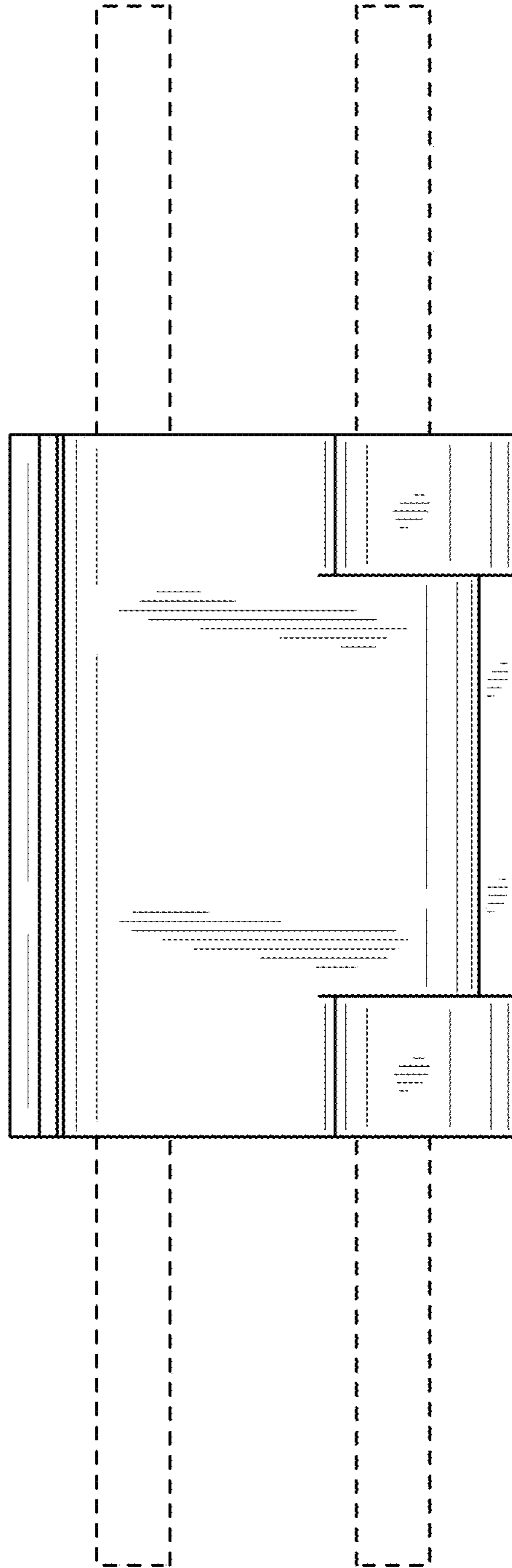


FIG. 8

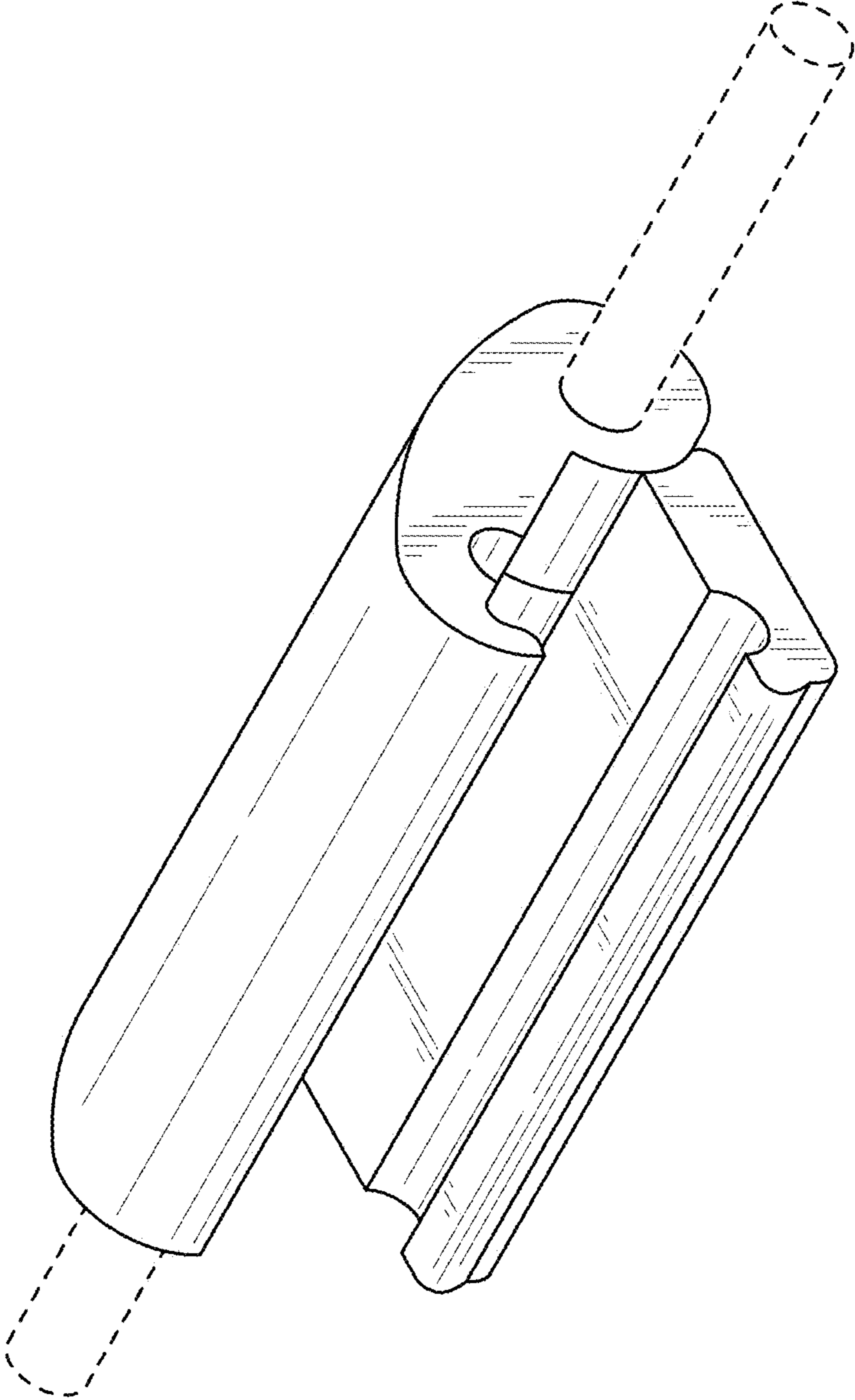


FIG. 9

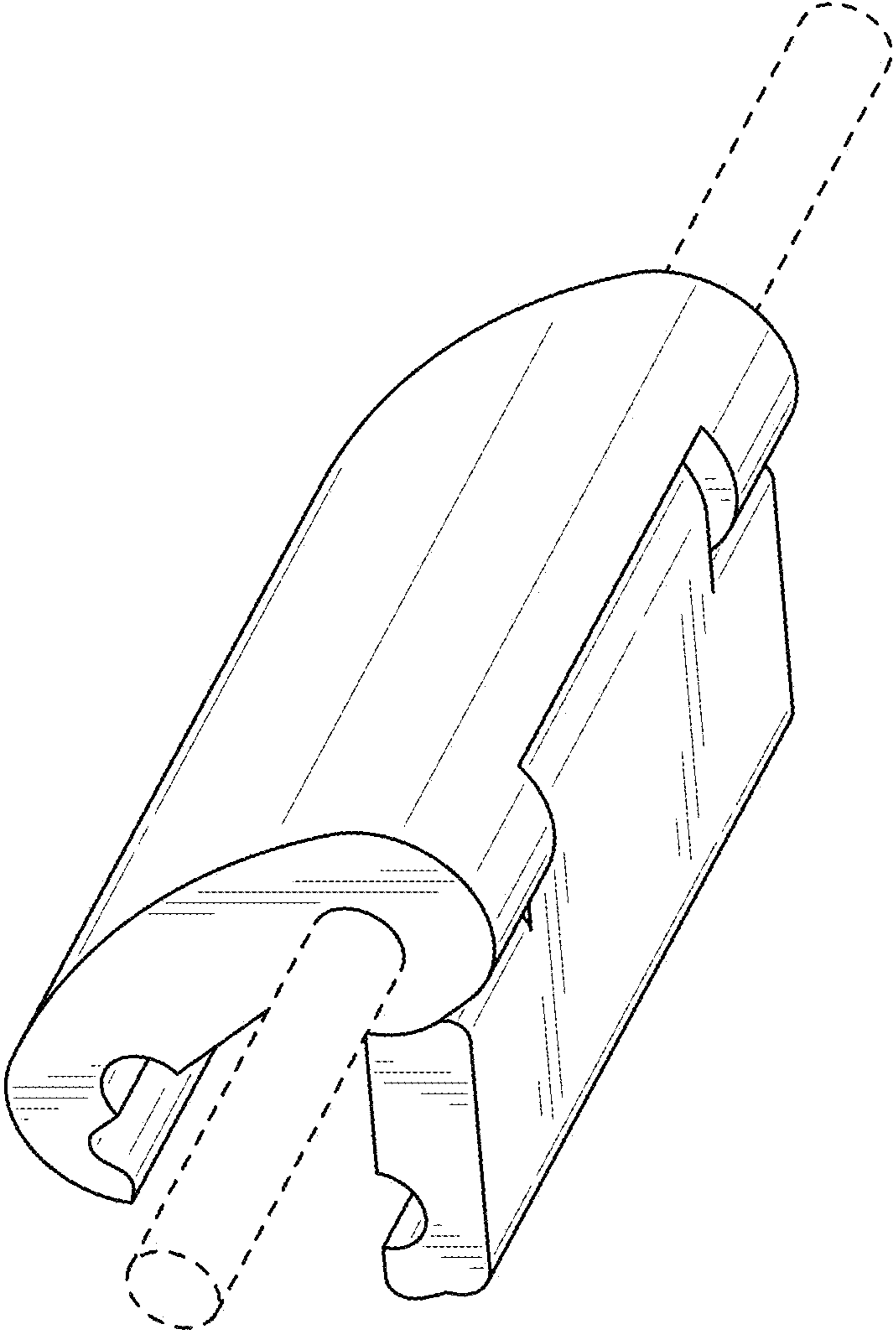


FIG. 10

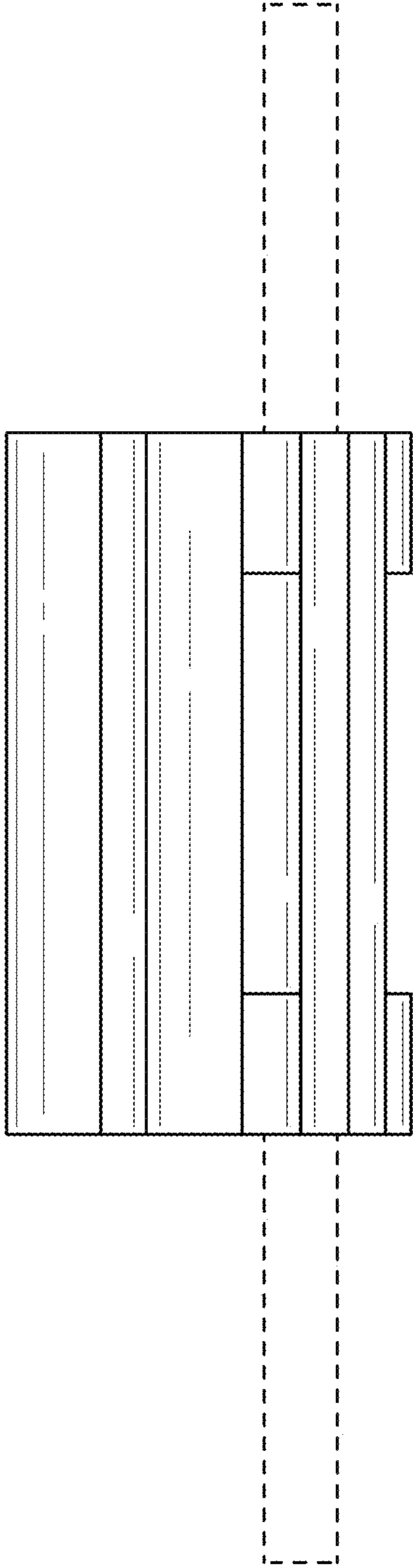


FIG. 11

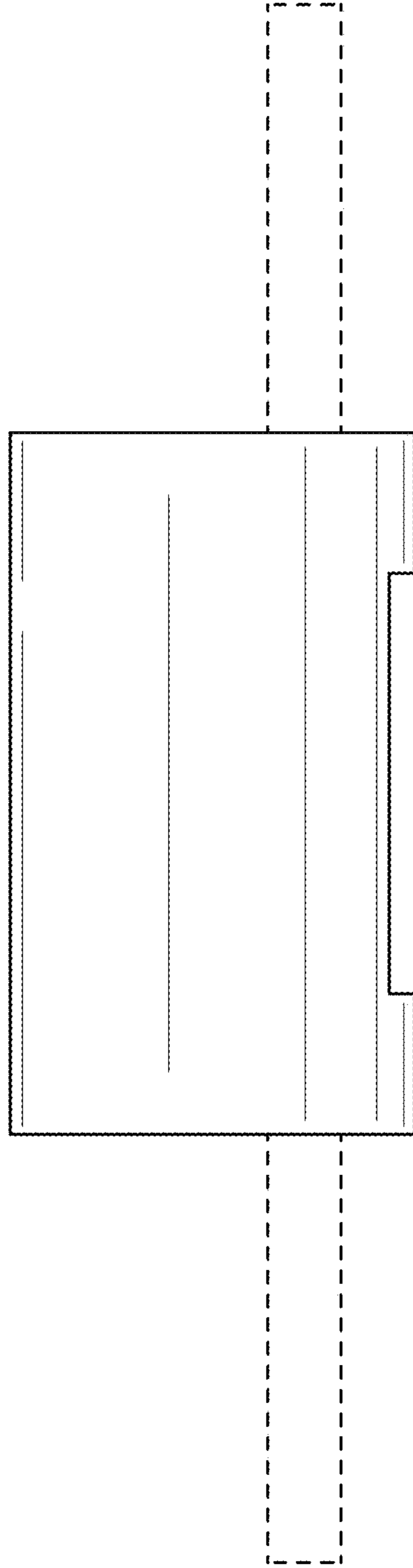


FIG. 12

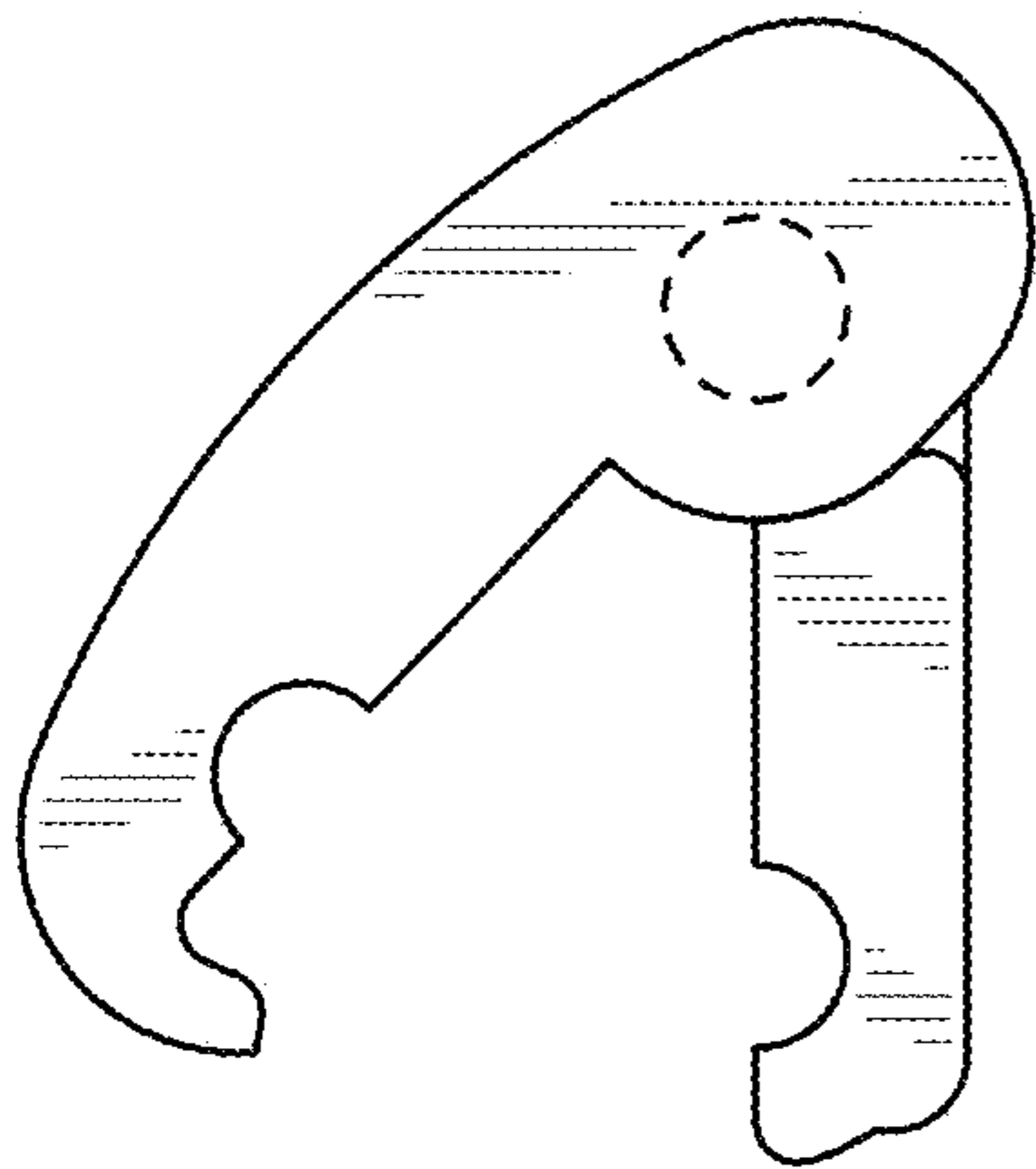


FIG. 13

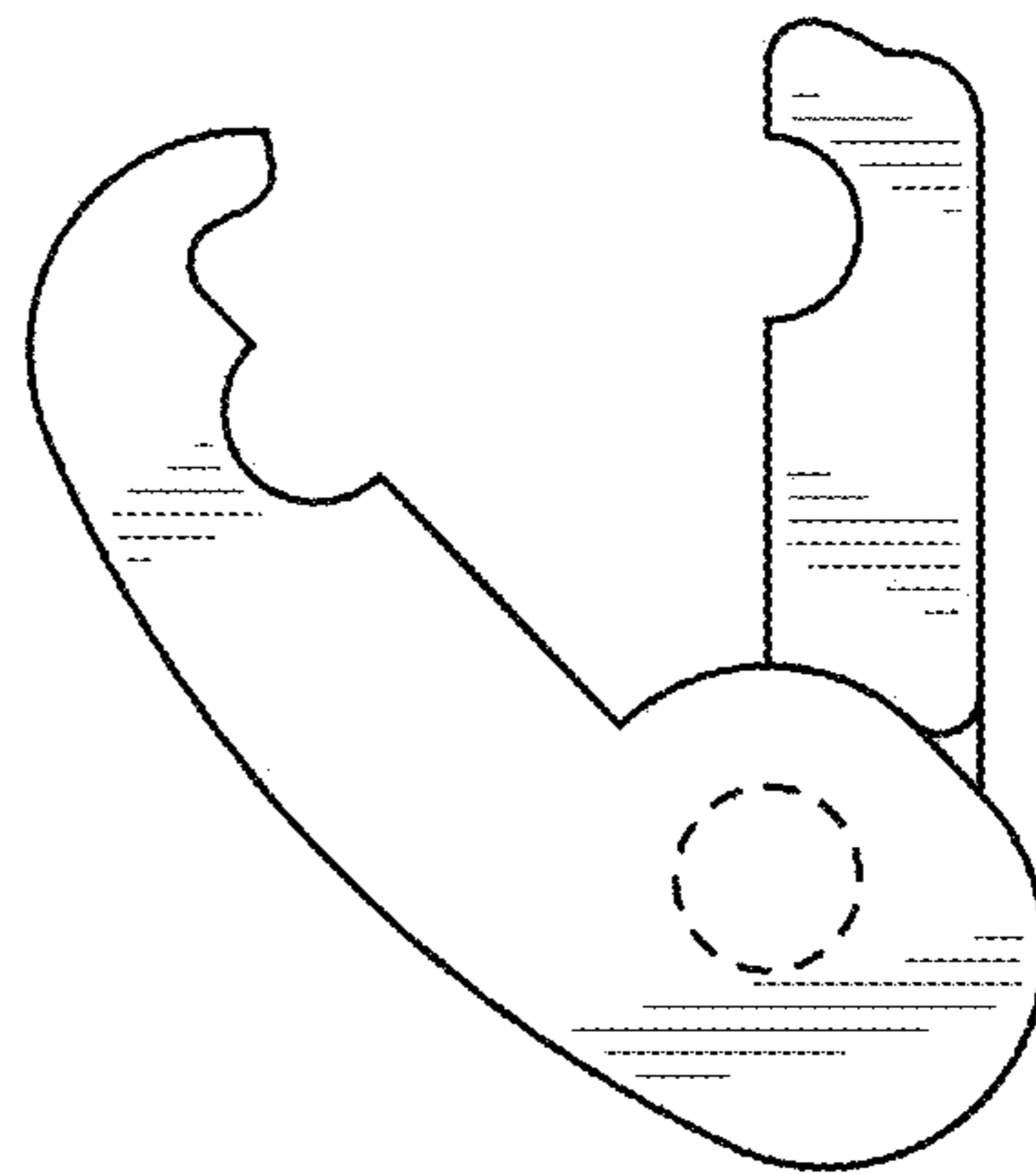


FIG. 14

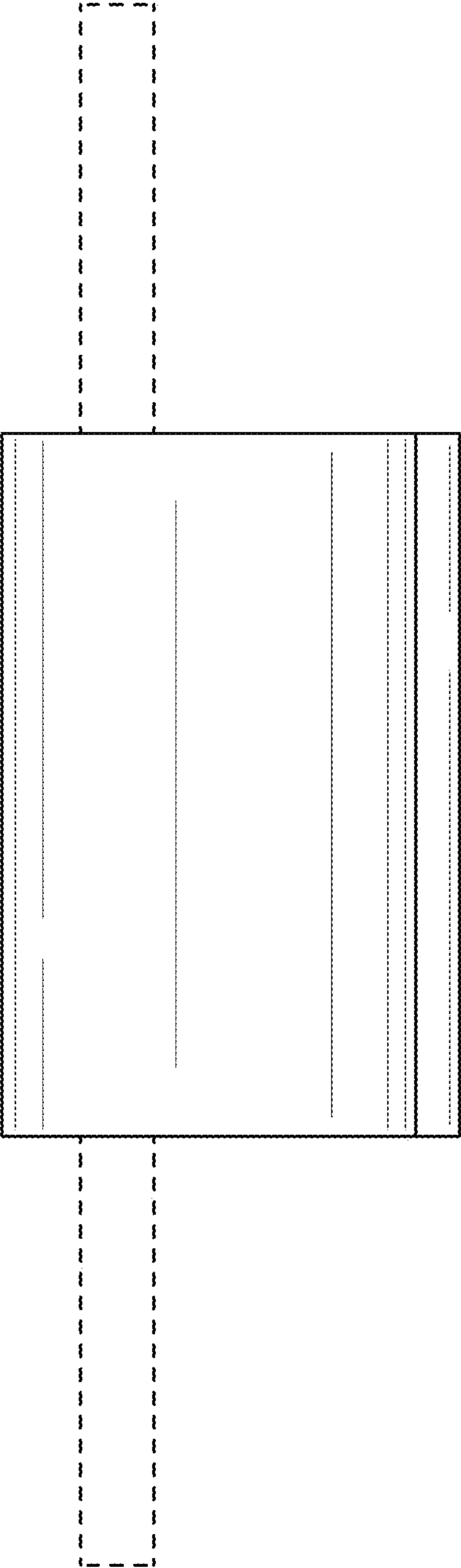


FIG. 15

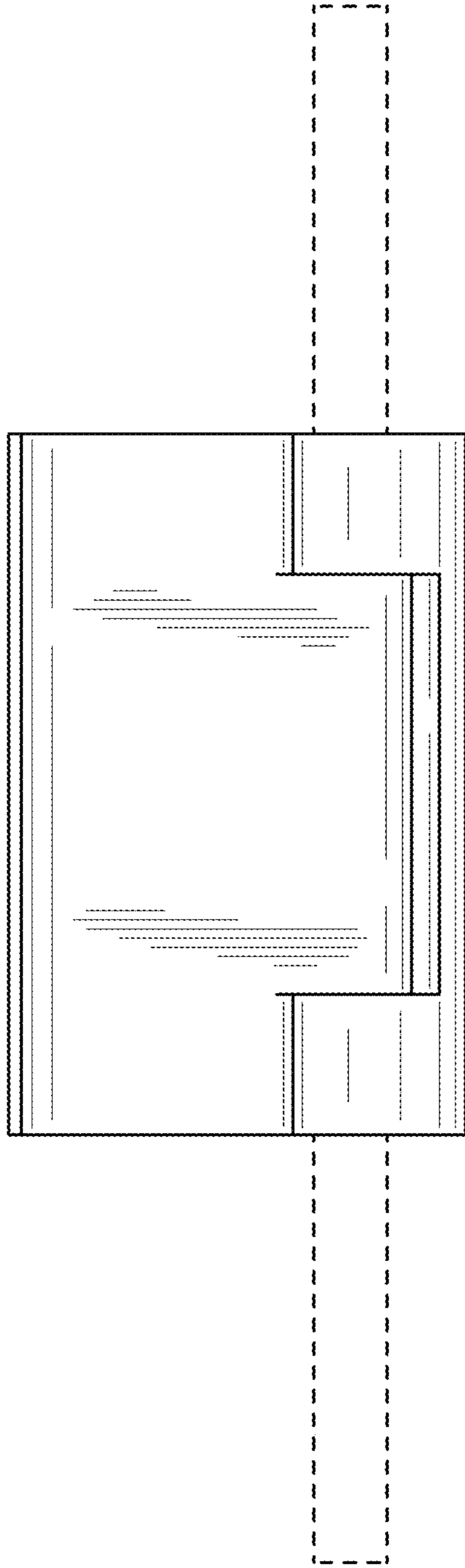


FIG. 16