



US00D906867S

(12) **United States Design Patent**
Duncan et al.

(10) **Patent No.:** **US D906,867 S**
(45) **Date of Patent:** **** Jan. 5, 2021**

- (54) **MAGNETIC JEWELRY CLASP**
- (71) Applicants: **William Stuart Duncan**, Georgetown, SC (US); **Beeman E. Burgoon, Jr.**, Georgetown, SC (US)
- (72) Inventors: **William Stuart Duncan**, Georgetown, SC (US); **Beeman E. Burgoon, Jr.**, Georgetown, SC (US)
- (**) Term: **15 Years**

6,598,271 B2	7/2003	Nire	
6,598,272 B2	7/2003	Nire	
7,007,507 B2	3/2006	Enevoldson	
7,181,939 B2 *	2/2007	Andersen	A45C 11/32 70/395
D561,636 S *	2/2008	Khubani	D11/87
7,690,088 B2 *	4/2010	Kogen	A44C 5/2076 24/303
9,101,185 B1	8/2015	Greenberg	
9,603,401 B2 *	3/2017	Pruitt	A44B 99/00
D882,452 S *	4/2020	Duncan	D11/87
D886,658 S *	6/2020	Duncan	D11/87

- (21) Appl. No.: **29/698,597**
- (22) Filed: **Jul. 18, 2019**

Related U.S. Application Data

- (63) Continuation of application No. 16/044,700, filed on Jul. 25, 2018, now Pat. No. 10,376,022.
- (51) **LOC (13) Cl.** **11-01**
- (52) **U.S. Cl.**
USPC **D11/87**
- (58) **Field of Classification Search**
USPC D11/1-29, 86-88
CPC A44C 5/00; A44C 5/002; A44C 5/2085;
A44C 5/2042; A44C 5/2071; A44C
11/32; A44B 99/00
See application file for complete search history.

(56) **References Cited**

U.S. PATENT DOCUMENTS

2,615,227 A	10/1952	Hornik	
2,648,884 A	8/1953	Loofboro	
3,008,209 A	11/1961	Kurt	
4,231,137 A	11/1980	Fujimoto	
4,901,405 A	2/1990	Grover et al.	
5,197,168 A *	3/1993	Levy	A44C 5/2076 24/303
5,664,298 A	9/1997	Nessar-Ivanovic	
5,806,346 A *	9/1998	Schlinger	A44C 5/2071 24/303

FOREIGN PATENT DOCUMENTS

DE 202014105724 U1 3/2016

* cited by examiner

Primary Examiner — Zenia I Bennett

(74) *Attorney, Agent, or Firm* — Carlson, Gaskey & Olds, P.C.

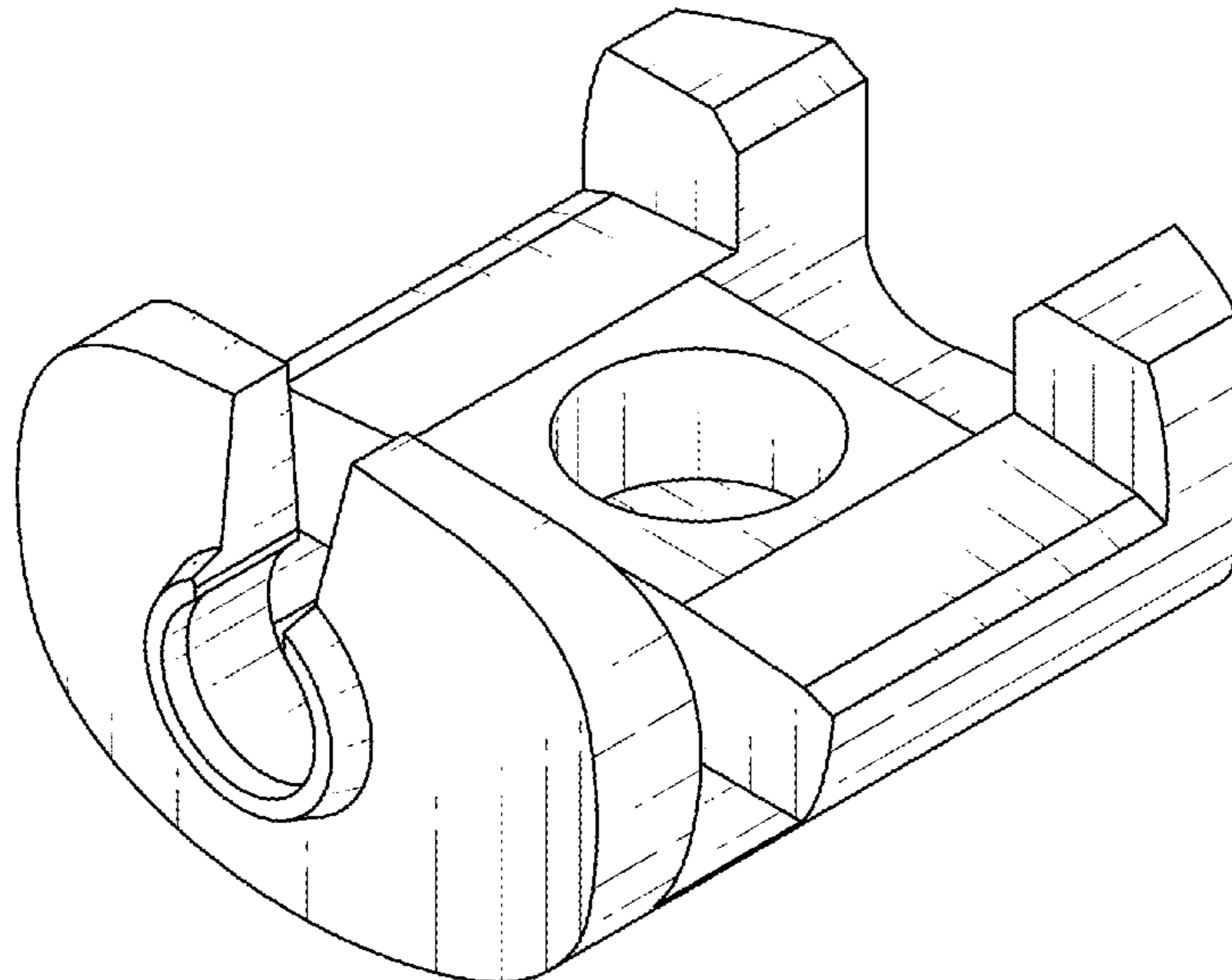
(57) **CLAIM**

We claim the ornamental design for a magnetic jewelry clasp, as shown and described.

DESCRIPTION

- FIG. 1 is a perspective view of a disclosed magnetic jewelry clasp.
- FIG. 2 is a first end view of the disclosed magnetic jewelry clasp.
- FIG. 3 is a second end view of the disclosed magnetic jewelry clasp.
- FIG. 4 is a first side view of the disclosed magnetic jewelry clasp.
- FIG. 5 is second side view the disclosed magnetic jewelry clasp.
- FIG. 6 is a top view of the disclosed magnetic jewelry clasp; and,
- FIG. 7 is a bottom of the disclosed magnetic jewelry clasp.

1 Claim, 4 Drawing Sheets



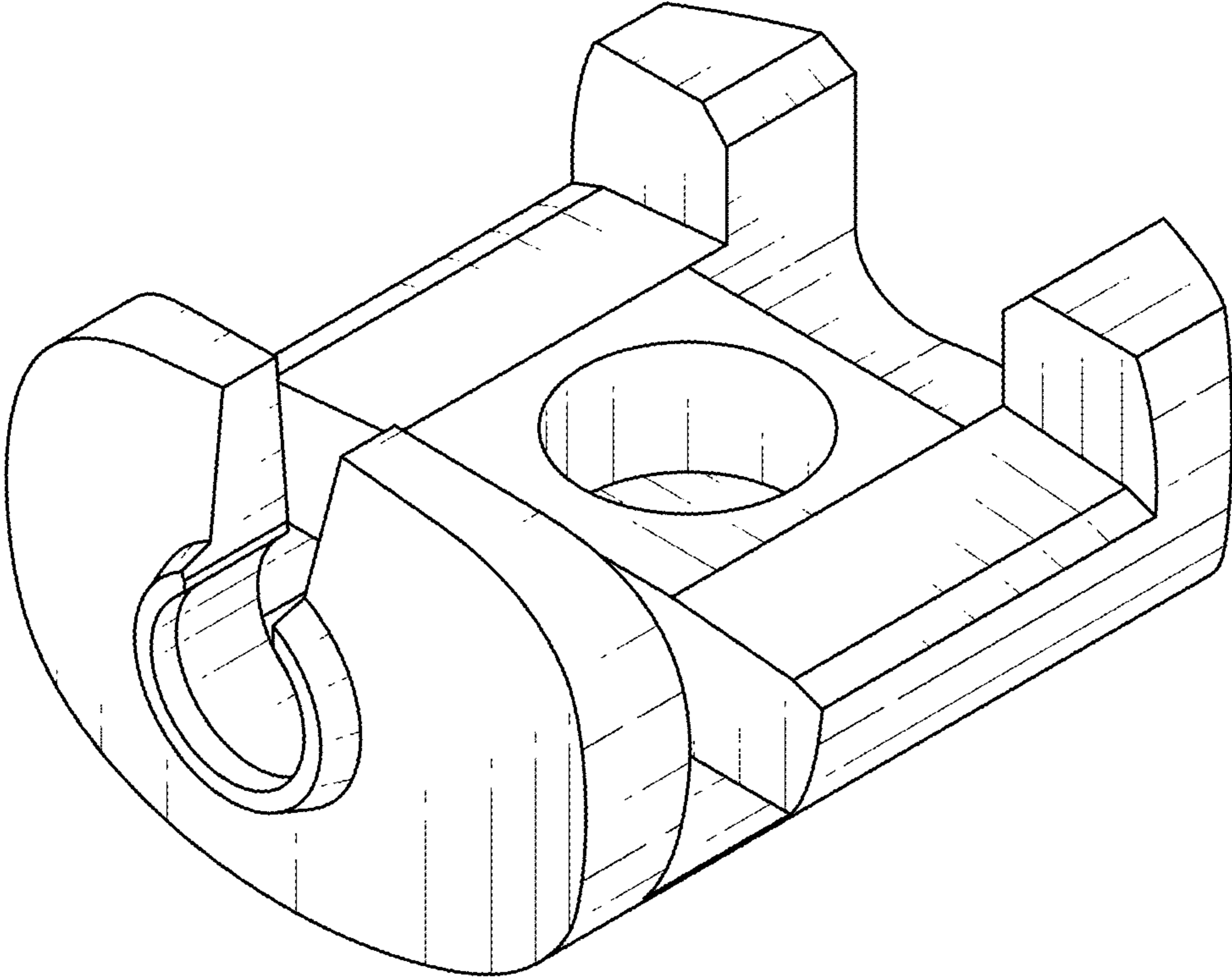


FIG. 1

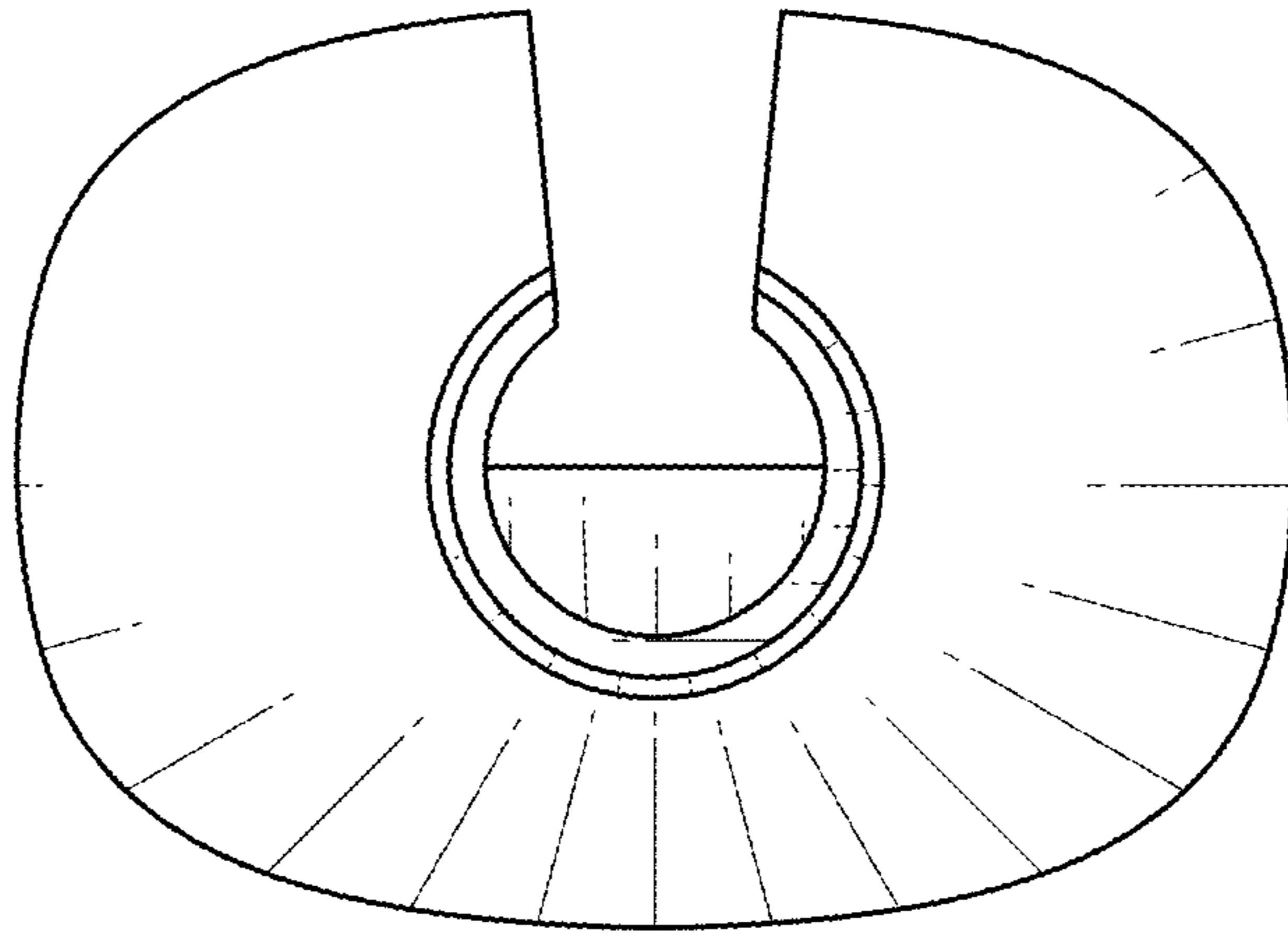


FIG. 2

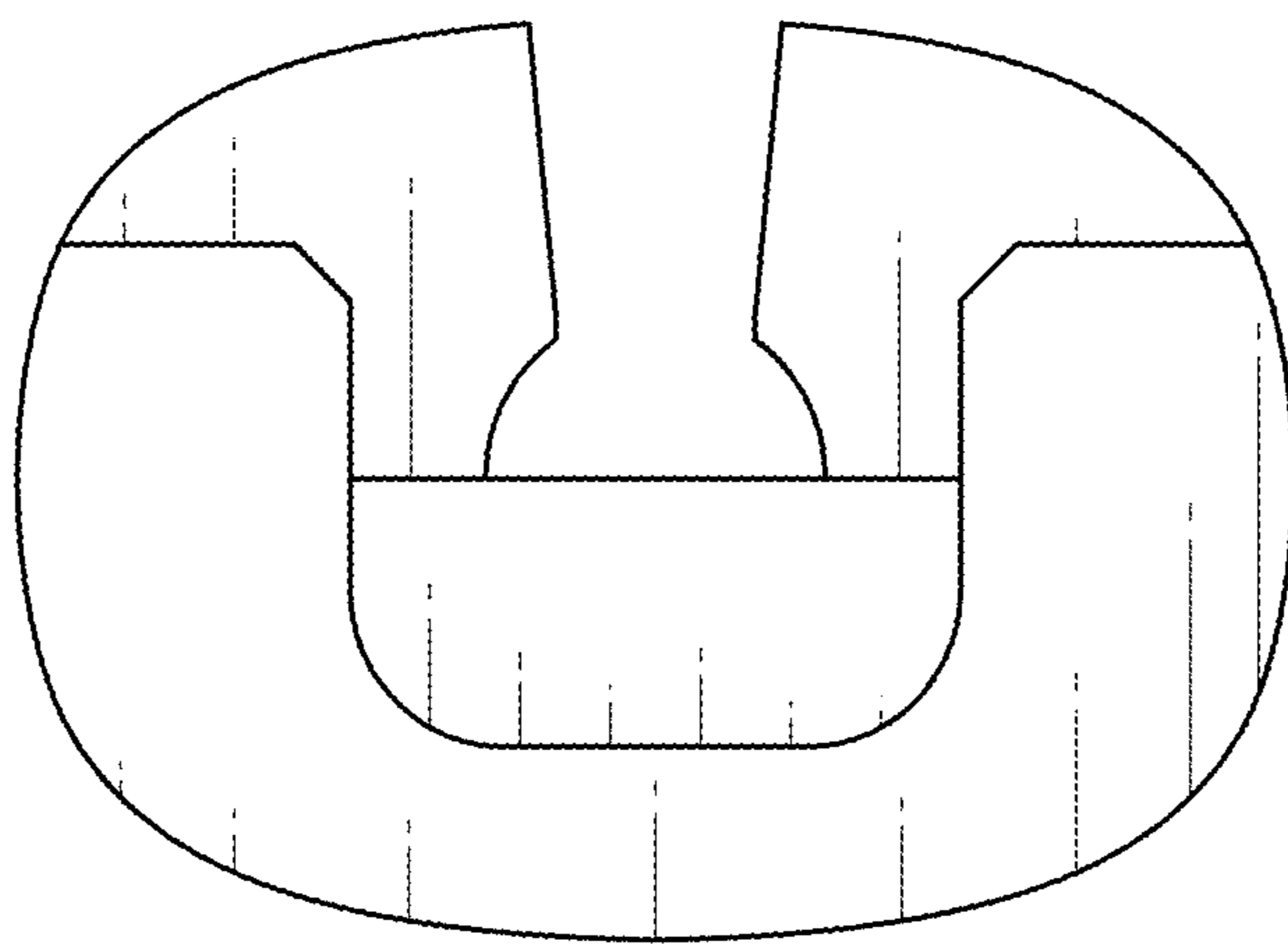


FIG. 3

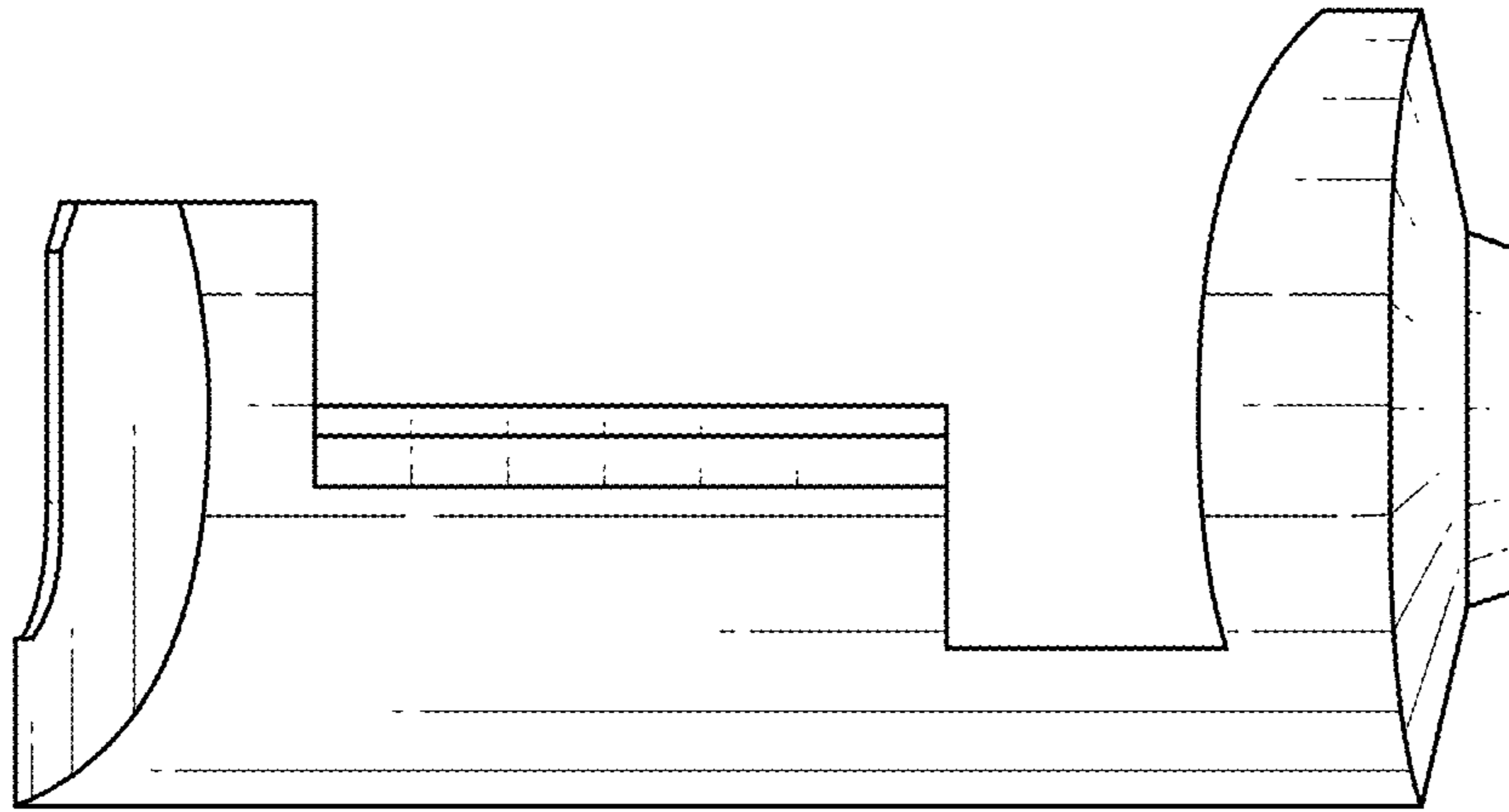


FIG. 4

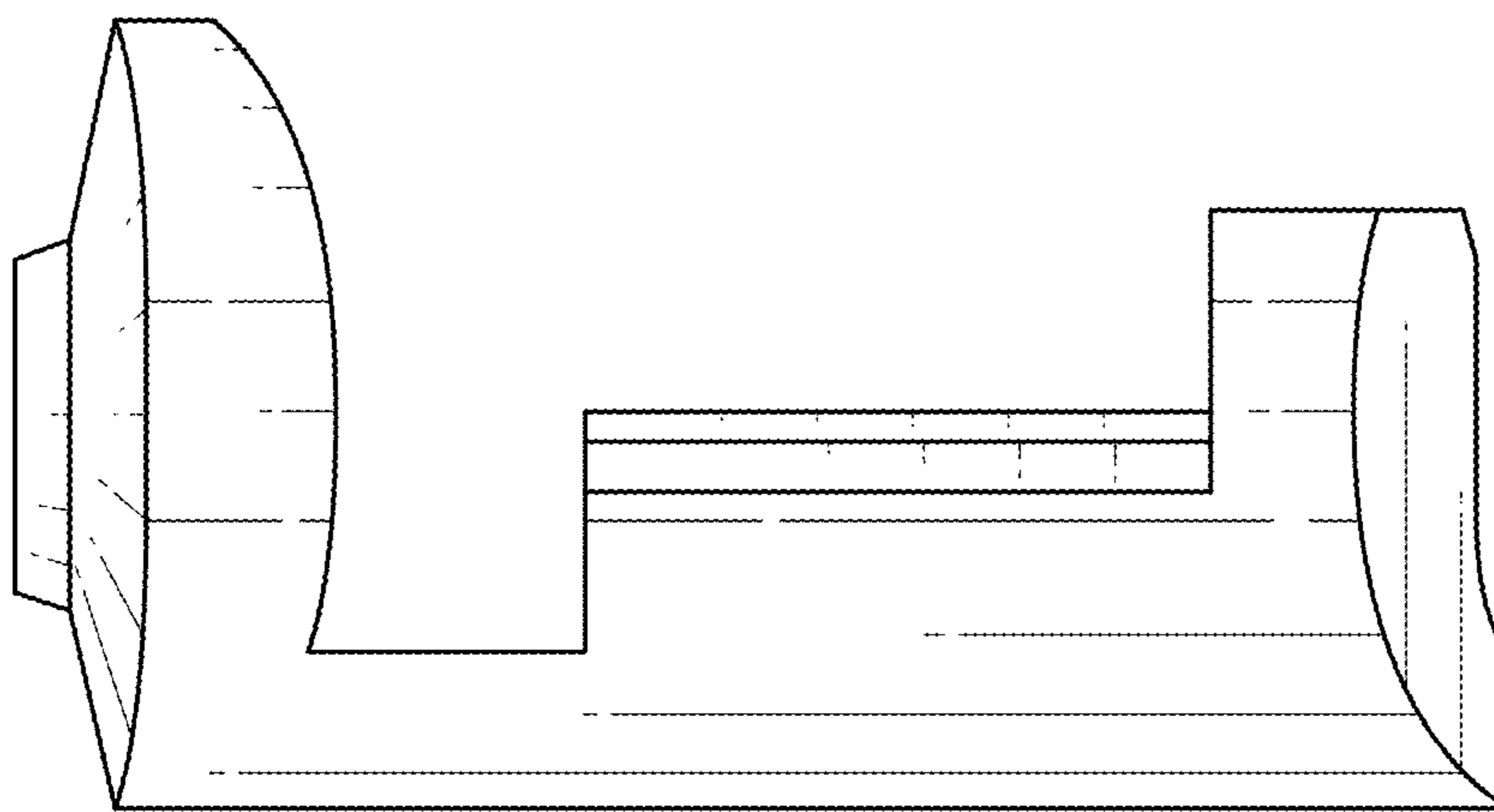


FIG. 5

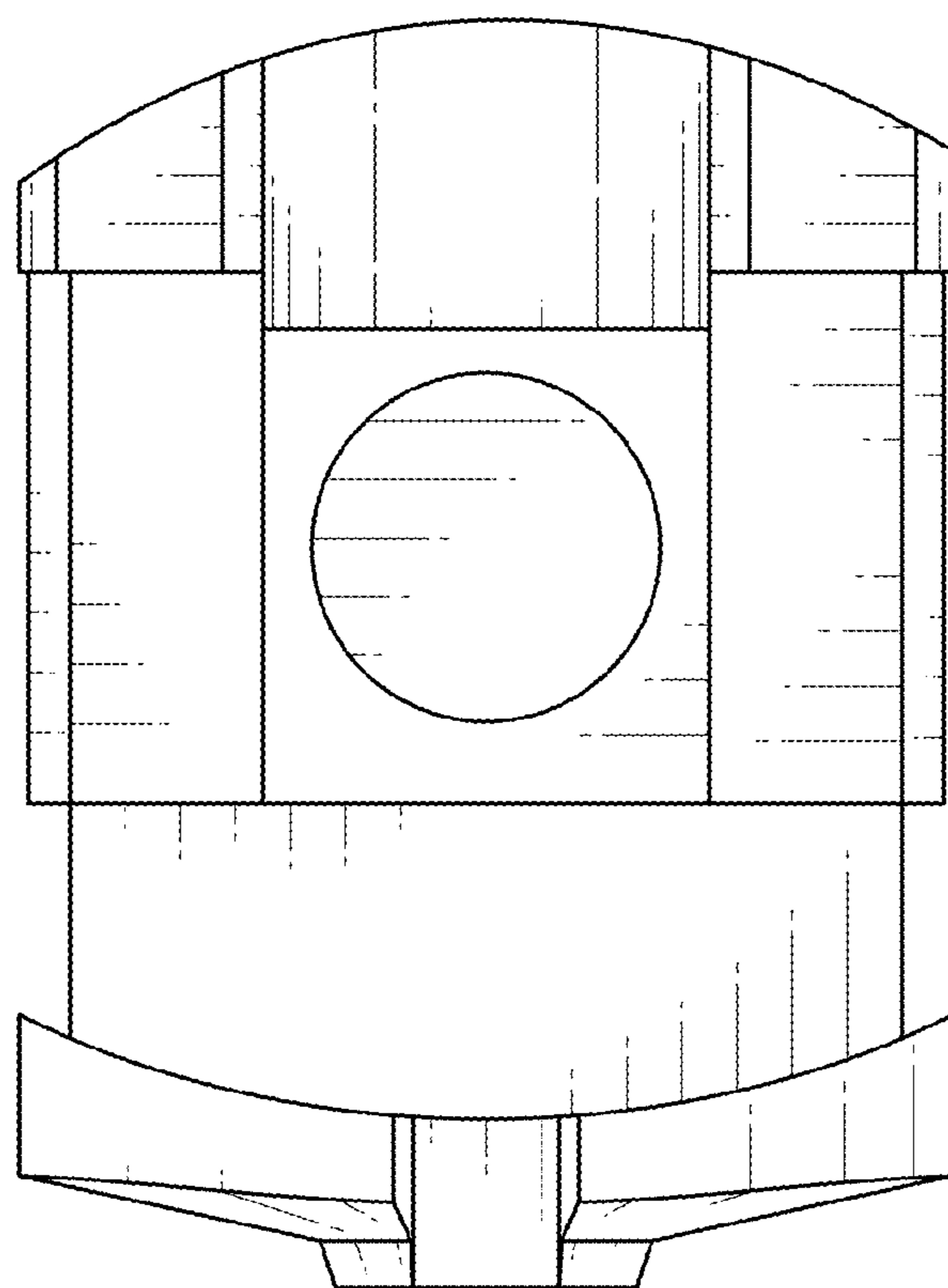


FIG. 6

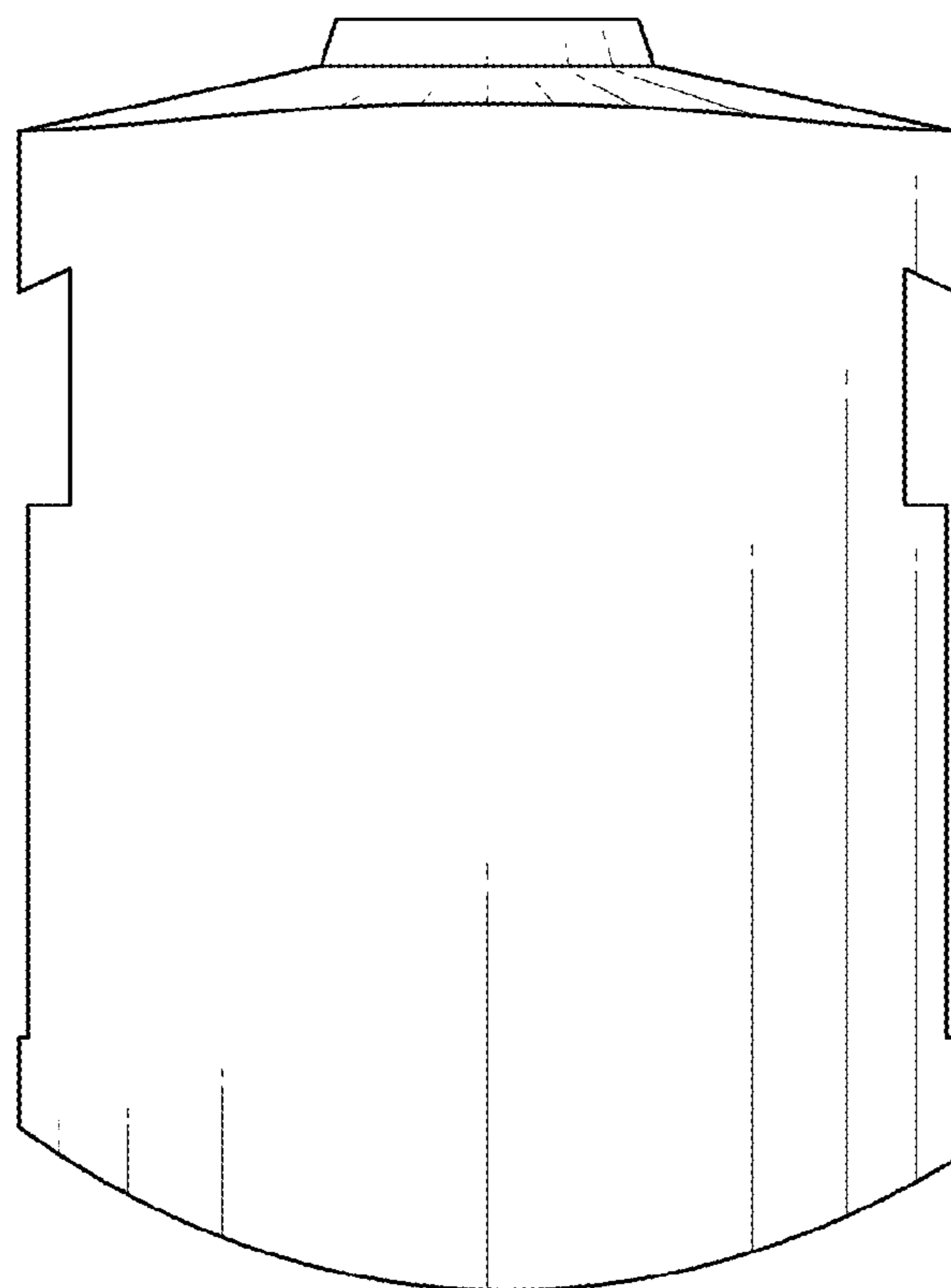


FIG. 7