



US00D906862S

(12) **United States Design Patent** (10) **Patent No.:** **US D906,862 S**
Sivriere (45) **Date of Patent:** **** Jan. 5, 2021**

(54) **EARRING**
(71) Applicant: **Richemont International SA,**
Villars-sur-Glane (CH)
(72) Inventor: **Stephanie Sivriere,** Geneva (CH)
(73) Assignee: **Richemont International SA,**
Villars-sur-Glane (CH)

5,588,309 A * 12/1996 Chioffe A44C 7/003
24/705
D814,333 S * 4/2018 Penna D11/79
D821,911 S * 7/2018 Stern D11/79
D822,531 S * 7/2018 Stern D11/40
D822,532 S * 7/2018 Stern D11/40
D824,277 S * 7/2018 Sallard D11/43
D824,278 S * 7/2018 Sallard D11/79
D852,079 S * 6/2019 Sivriere D11/33
D865,561 S * 11/2019 Sivriere D11/42

(**) Term: **15 Years**
(21) Appl. No.: **29/693,507**
(22) Filed: **Jun. 3, 2019**

OTHER PUBLICATIONS

Piaget Sunlight Earrings G38R0900, no date available, [online], [site visited Aug. 28, 2020]. Retrieved from url:https://www.piaget.conn/jewelry/piaget-sunlight/rose-gold-diamond-earrings-g38r0900 (Year: 2020).*

* cited by examiner

(30) **Foreign Application Priority Data**

Dec. 4, 2018 (WO) 970003114

(51) **LOC (13) Cl.** **11-01**
(52) **U.S. Cl.**
USPC **D11/41**

Primary Examiner — Michelle E. Wilson
Assistant Examiner — Tracey J Bell
(74) *Attorney, Agent, or Firm* — Taft Stettinius & Hollister LLP

(58) **Field of Classification Search**
USPC ... D11/1, 2, 7, 8, 16, 17, 40-45, 63, 79, 80,
D11/84, 87, 88, 91, 92, 97, 139, 68, 75,
D11/76, 77, 85, 22, 47, 86; D30/155
CPC A44C 15/005; A44C 15/001; A44C 7/00;
A44C 7/002; A44C 7/003; A44C 7/004;
A44C 7/005; A44C 7/006; A44C 7/007;
A44C 7/008; A44C 7/009; A44C 25/00;
A44C 25/001; A44C 25/002; A44C
25/004; A44C 25/007; A44C 1/00; A44C
15/00

See application file for complete search history.

(57) **CLAIM**

The ornamental design for an earring, as shown and described.

(56) **References Cited**

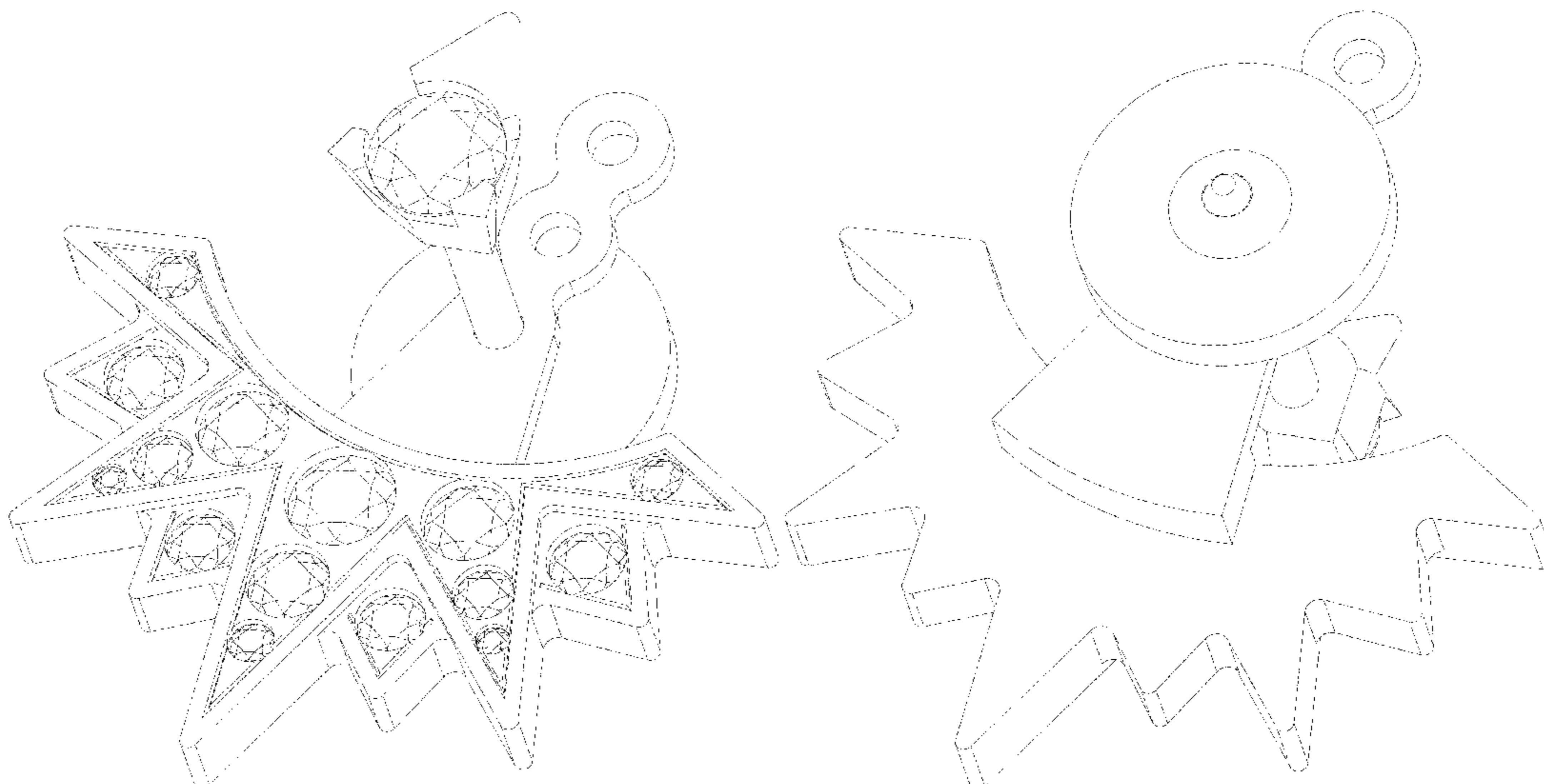
U.S. PATENT DOCUMENTS

D261,245 S * 10/1981 Epstein D11/75
D261,246 S * 10/1981 Epstein D11/75
D261,247 S * 10/1981 Epstein 63/13
4,688,400 A * 8/1987 Chioffe A44C 7/003
63/12

DESCRIPTION

FIG. 1 is a front elevational view of an earring showing my new design;
FIG. 2 is a back elevational view thereof;
FIG. 3 is a right side elevational thereof;
FIG. 4 is a left side elevational view thereof;
FIG. 5 is a bottom plan view thereof;
FIG. 6 is a top plan view thereof;
FIG. 7 is a front, bottom, right side perspective view thereof;
and,
FIG. 8 is a back, bottom, left side perspective view thereof.

1 Claim, 8 Drawing Sheets



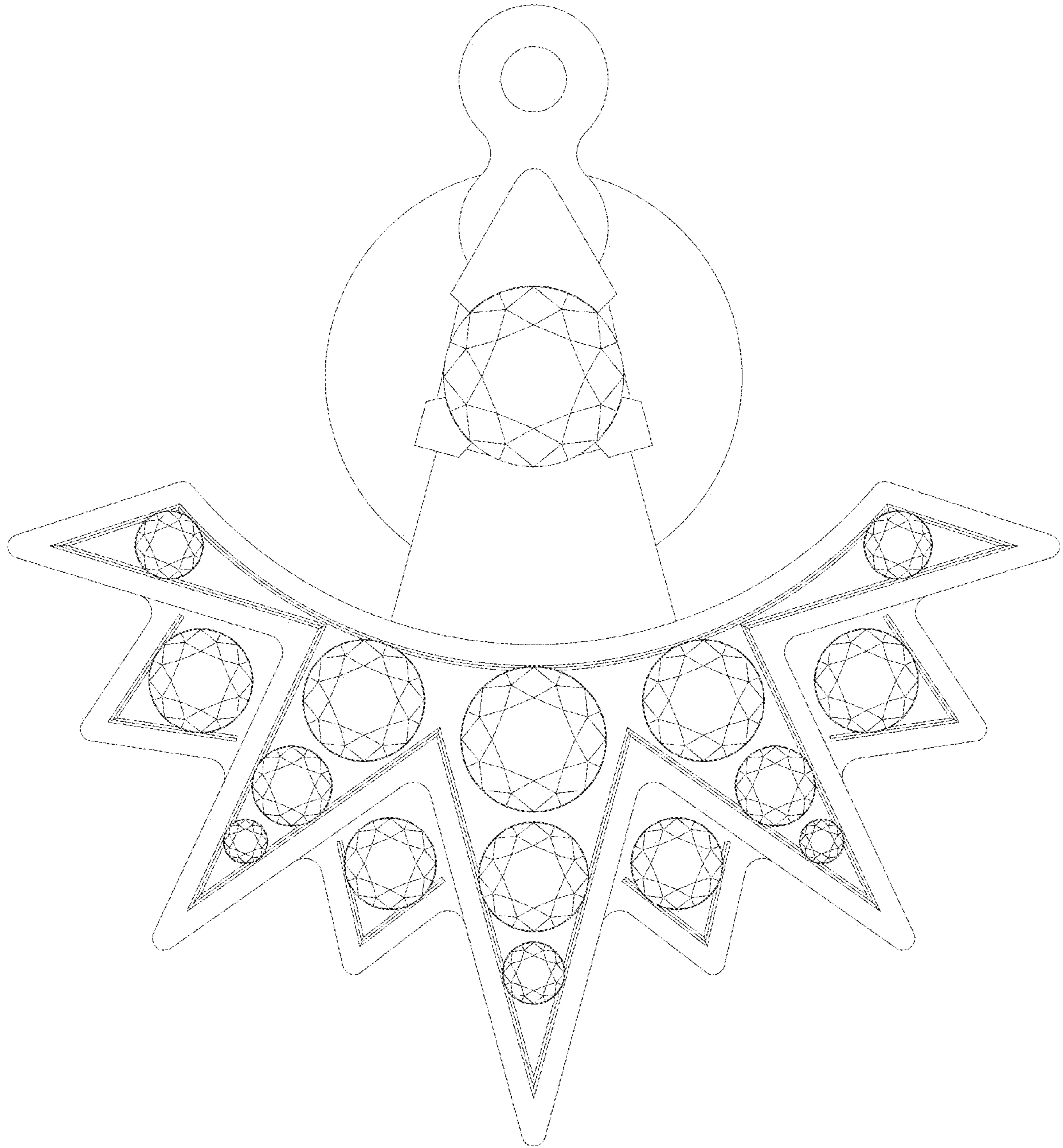


Fig. 1

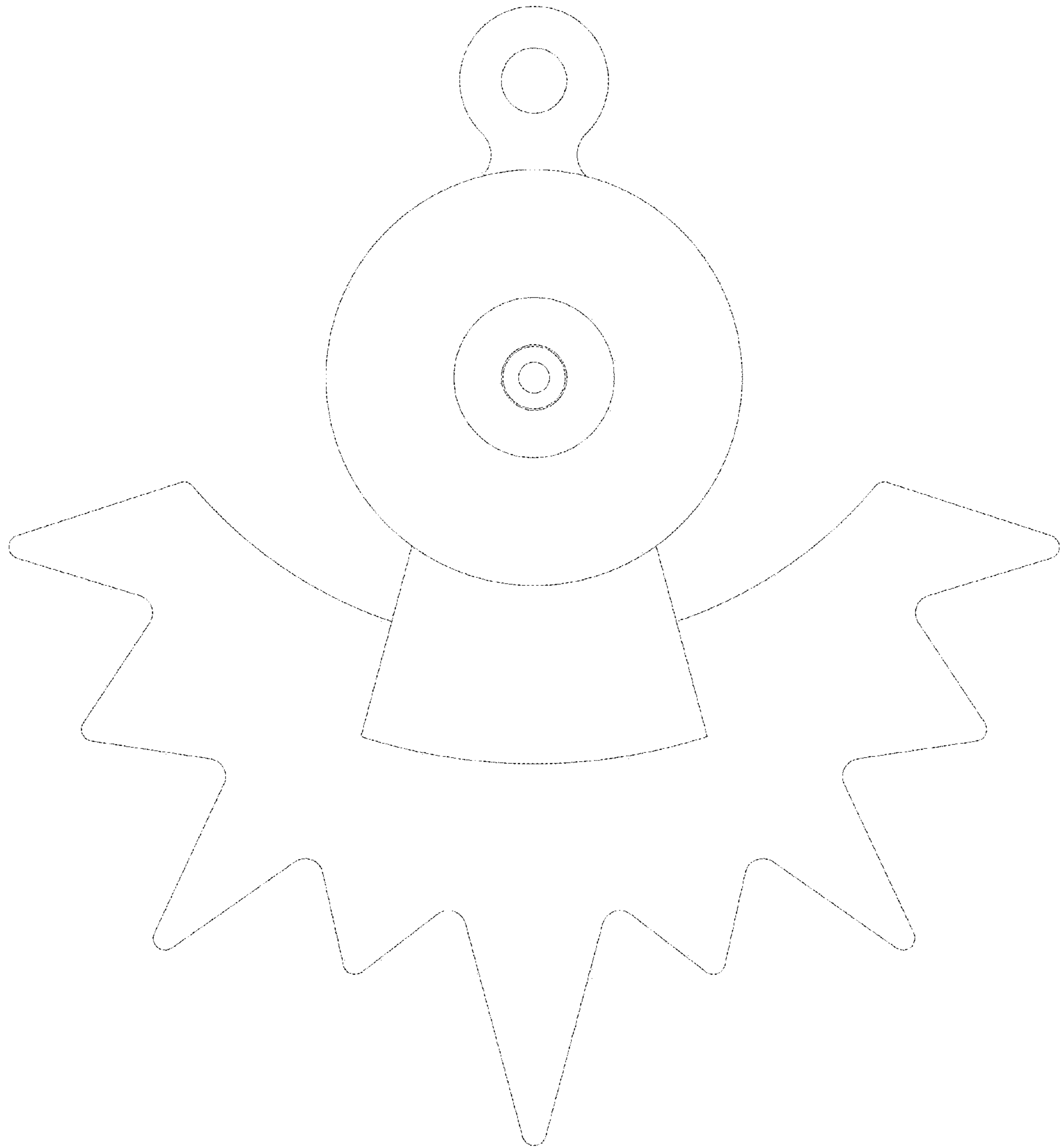


Fig. 2

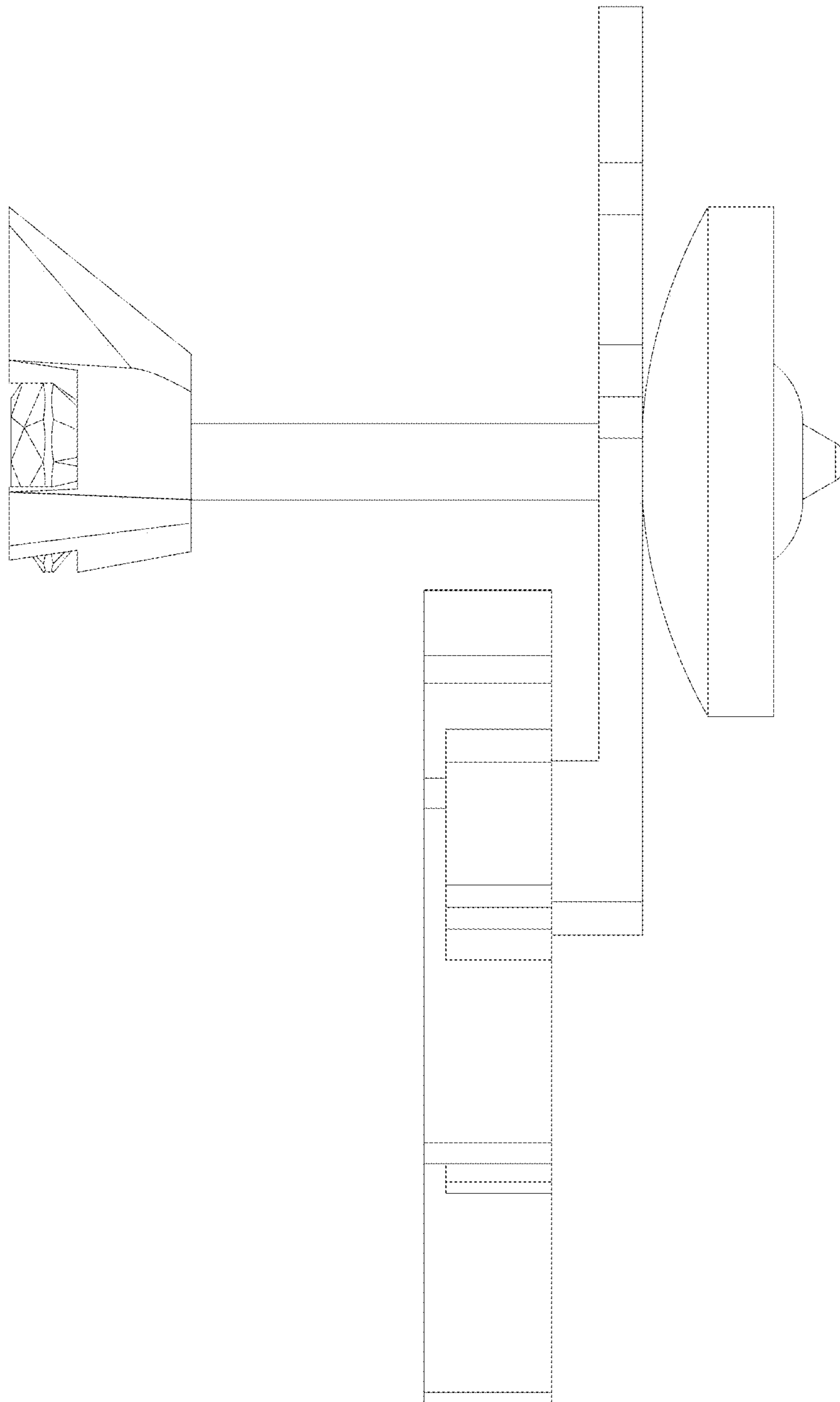


Fig. 3

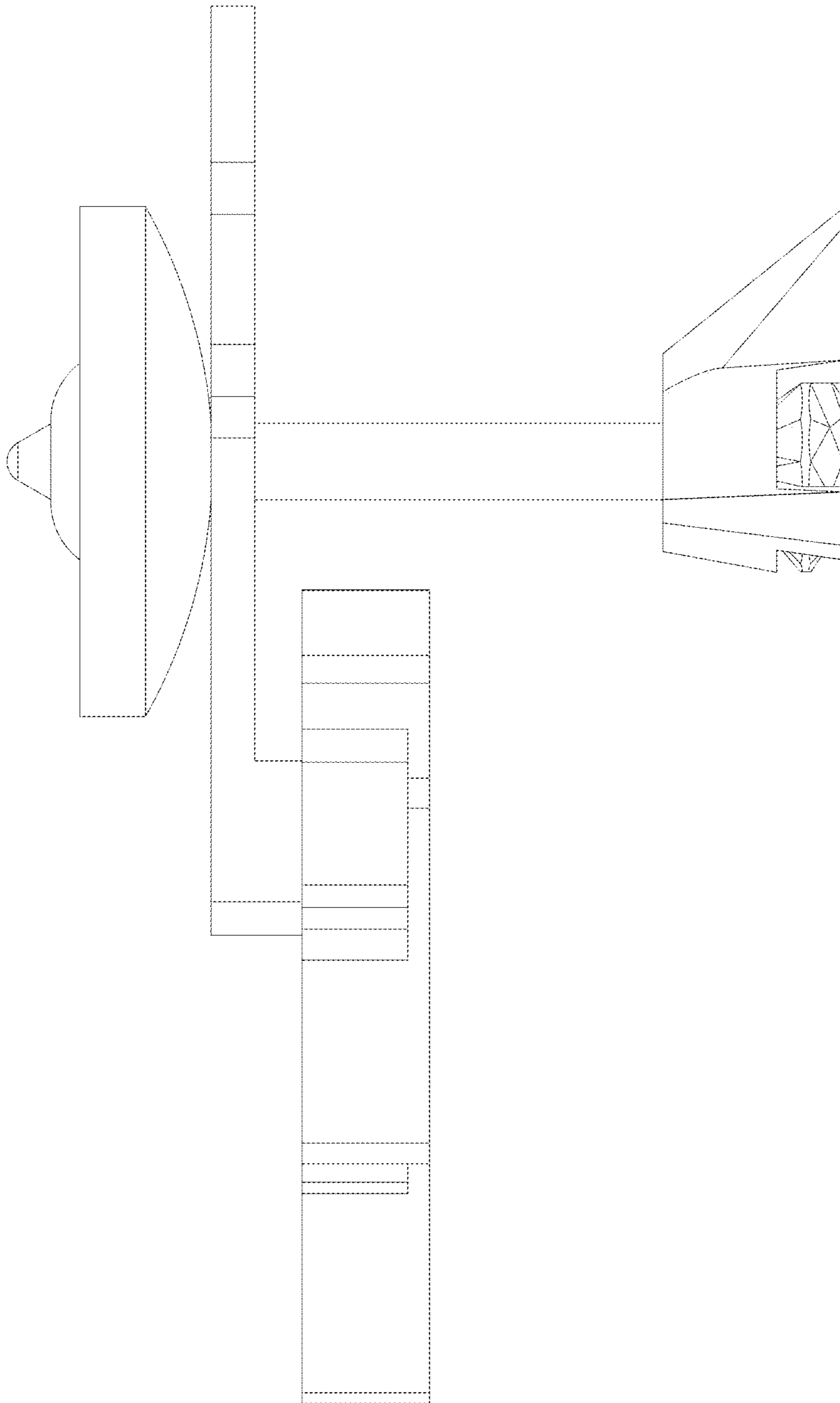


Fig. 4

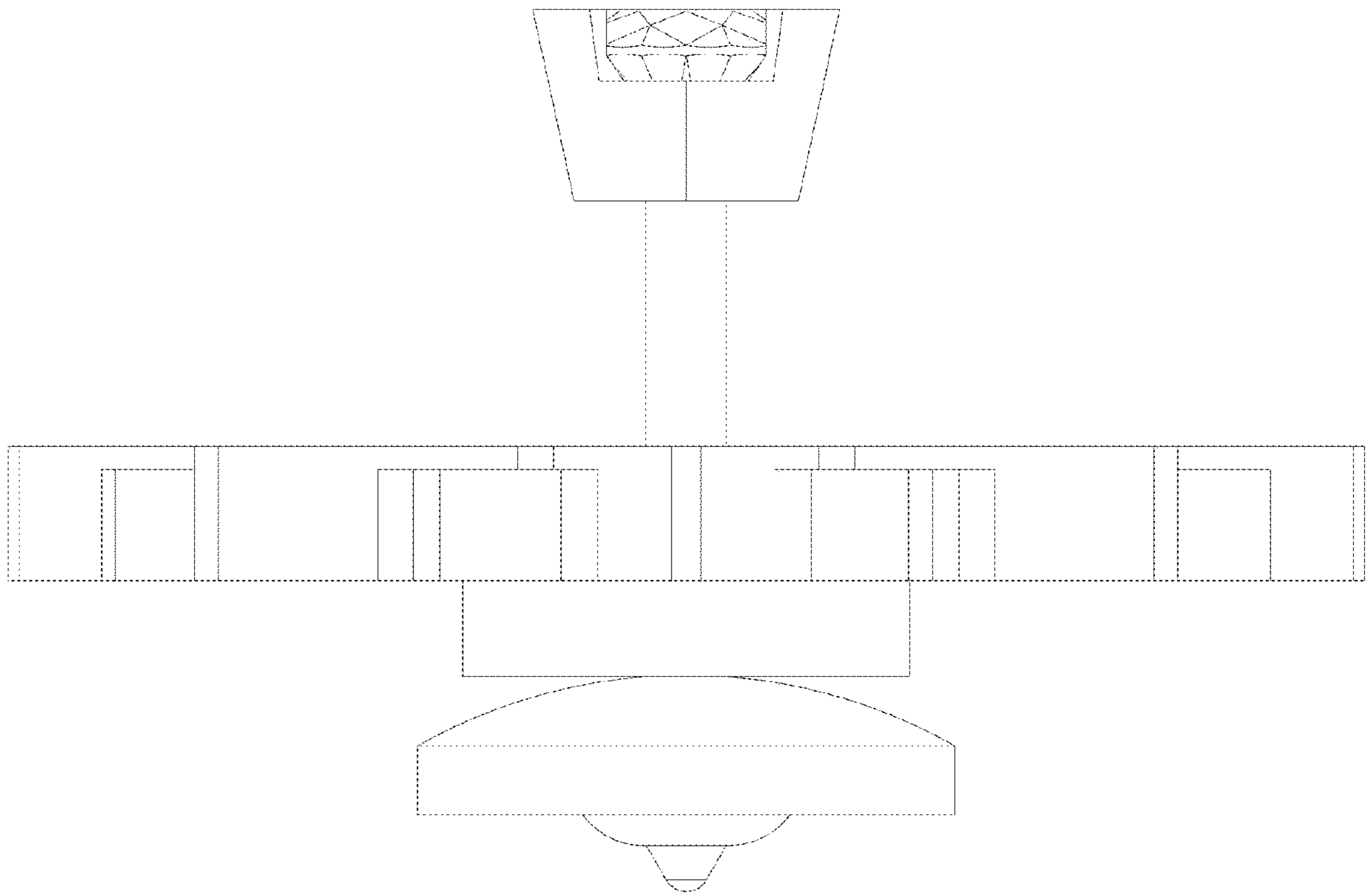


Fig. 5

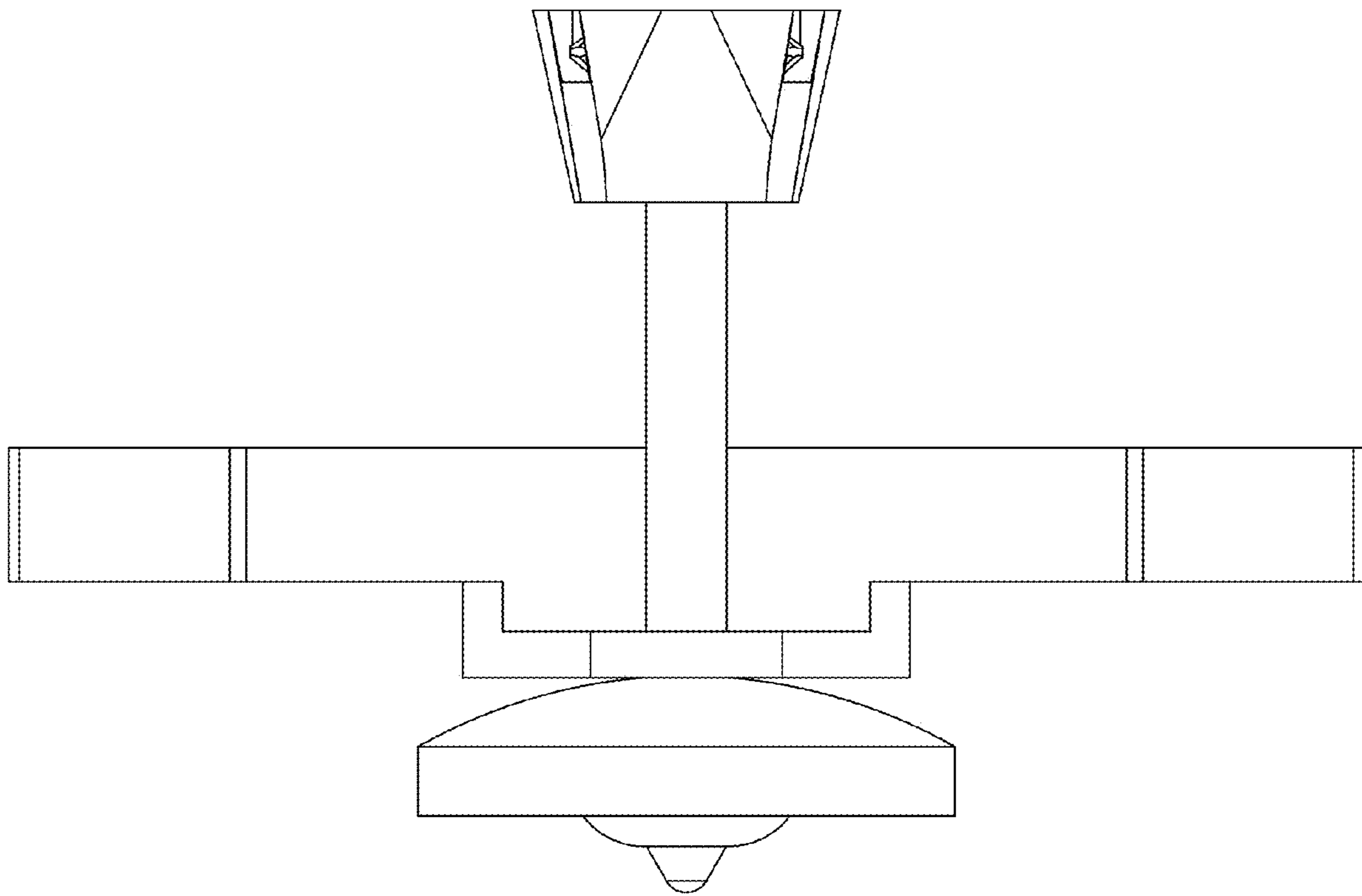


Fig. 6

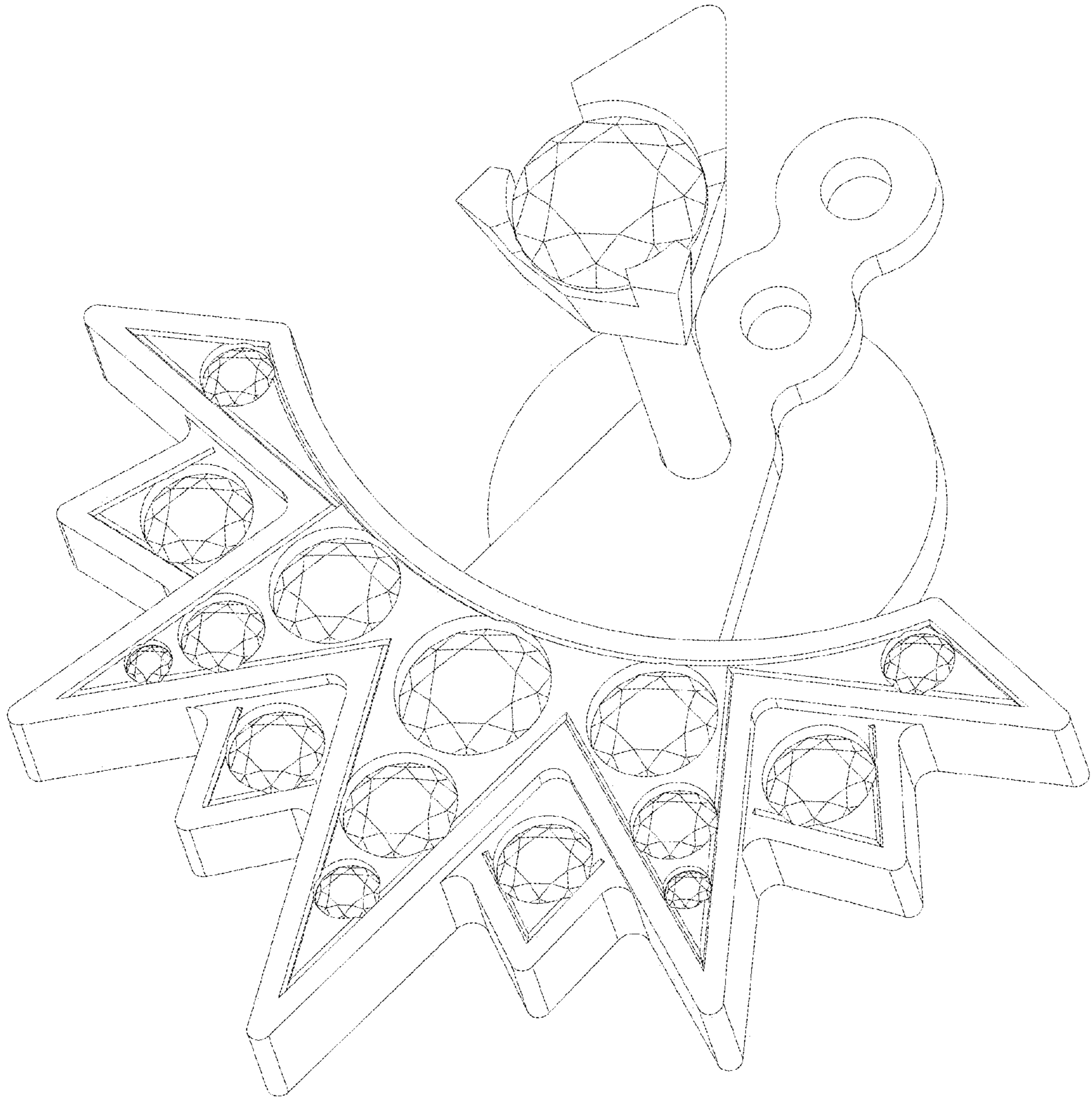


Fig. 7

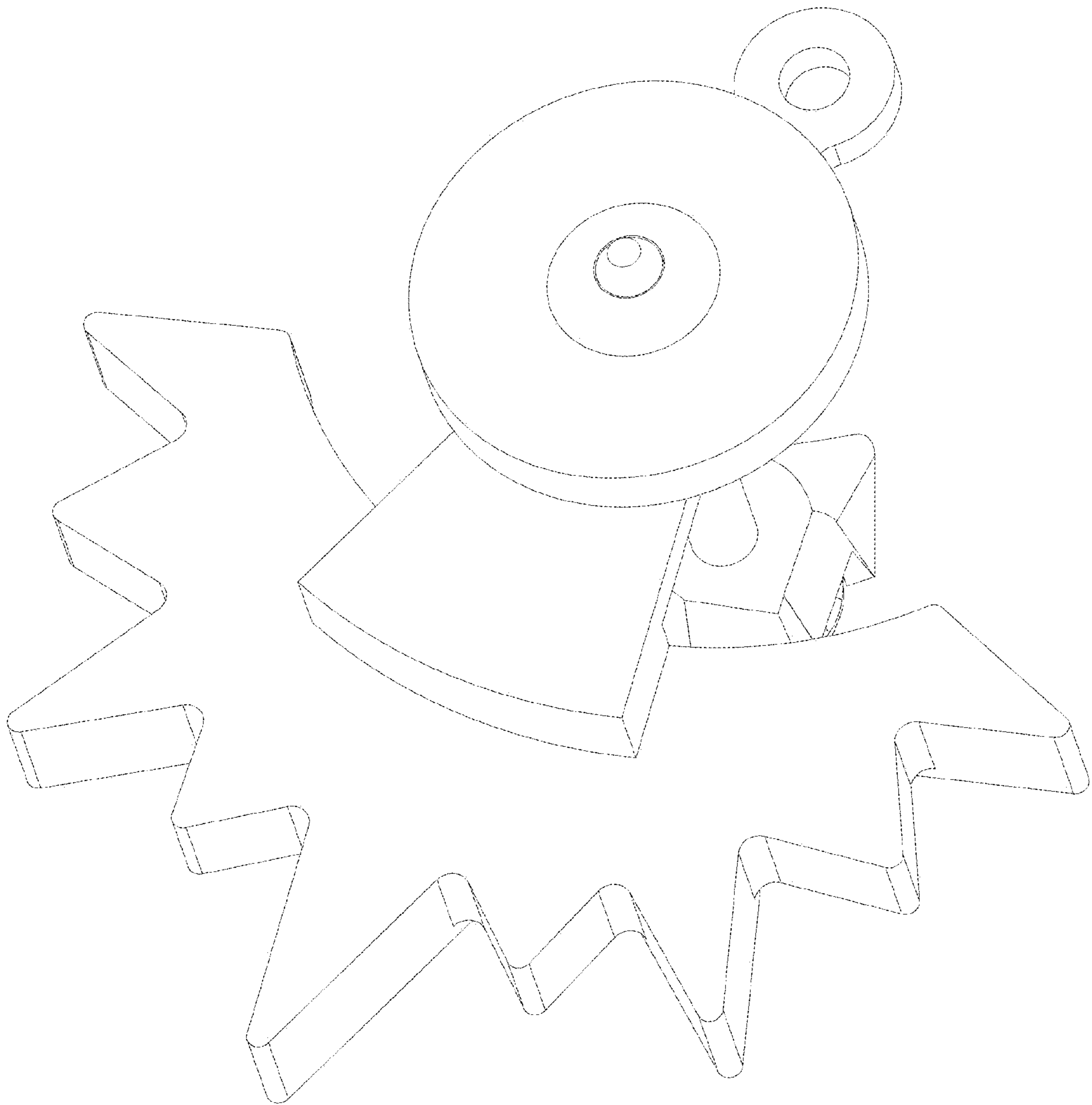


Fig. 8