



US00D906861S

(12) **United States Design Patent**  
**Sivriere**

(10) **Patent No.:** **US D906,861 S**

(45) **Date of Patent:** **\*\* Jan. 5, 2021**

(54) **EARRING**

(71) Applicant: **Richemont International SA,**  
Villars-sur-Glane (CH)

(72) Inventor: **Stephanie Sivriere,** Geneva (CH)

(73) Assignee: **Richemont International SA,**  
Villars-sur-Glane (CH)

(\*\*) Term: **15 Years**

(21) Appl. No.: **29/693,514**

(22) Filed: **Jun. 3, 2019**

(30) **Foreign Application Priority Data**

Dec. 4, 2018 (WO) ..... 970003114

(51) **LOC (13) Cl.** ..... **11-01**

(52) **U.S. Cl.**  
USPC ..... **D11/40**

(58) **Field of Classification Search**  
USPC ... D11/1, 2, 7, 8, 16, 17, 40-45, 63, 79, 80,  
D11/84, 87, 88, 91, 92, 97, 139, 68, 75,  
D11/76, 77, 85, 22, 47, 86, 225, 241, 33,  
D11/115; D30/155  
CPC ..... A44C 15/005; A44C 15/001; A44C 7/00;  
A44C 7/002; A44C 7/003; A44C 7/004;  
A44C 7/005; A44C 7/006; A44C 7/007;  
A44C 7/008; A44C 7/009; A44C 25/00;  
A44C 25/001; A44C 25/002; A44C  
25/004; A44C 25/007; A44C 1/00; A44C  
15/00

See application file for complete search history.

(56) **References Cited**

**U.S. PATENT DOCUMENTS**

D174,740 S \* 5/1955 Davidson ..... D11/75  
D372,312 S \* 7/1996 Lange ..... D11/41  
D379,600 S \* 6/1997 Gardner ..... D11/27  
D385,211 S \* 10/1997 Brisk ..... D11/40

D420,304 S \* 2/2000 Porcell ..... D11/40  
D435,228 S \* 12/2000 Hegarty ..... D11/27  
D722,519 S \* 2/2015 Marchand ..... D11/81  
D722,520 S \* 2/2015 Marchand ..... D11/81  
D788,628 S \* 6/2017 Marchand ..... D11/5  
D815,973 S \* 4/2018 Coin ..... D11/5  
D888,597 S \* 6/2020 Fillon ..... D11/41  
2018/0199680 A1 \* 7/2018 Barouch ..... A44C 25/007

**FOREIGN PATENT DOCUMENTS**

WO WOD200730-009 \* 6/2019

**OTHER PUBLICATIONS**

Piaget Earrings G38PV600, no date available, [online], [site visited Aug. 29, 2020]. Retrieved from url:https://www.piaget.com/jewelry/possession/rose-gold-diamond-earrings-g38pv600 (Year: 2020).\*

\* cited by examiner

*Primary Examiner* — Michelle E. Wilson

*Assistant Examiner* — Tracey J Bell

(74) *Attorney, Agent, or Firm* — Taft Stettinius & Hollister LLP

(57) **CLAIM**

The ornamental design for an earring, as shown and described.

**DESCRIPTION**

FIG. 1 is a front elevational view of an earring showing my new design;

FIG. 2 is a back elevational view thereof;

FIG. 3 is a right side elevational thereof;

FIG. 4 is a left side elevational view thereof;

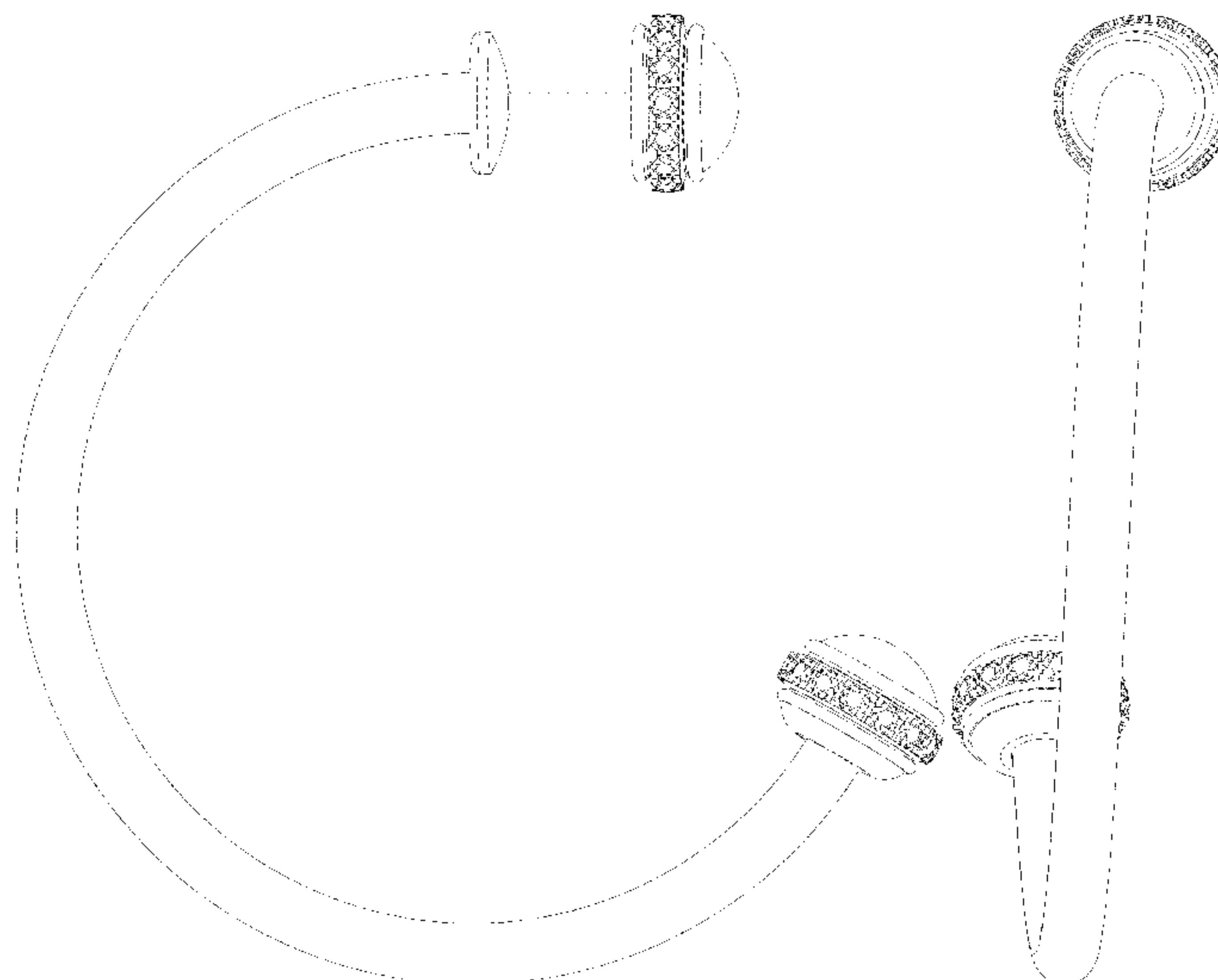
FIG. 5 is a bottom plan view thereof;

FIG. 6 is a top plan view thereof;

FIG. 7 is a front, bottom, right side perspective view thereof; and,

FIG. 8 is a back, bottom, left side perspective view thereof.

**1 Claim, 8 Drawing Sheets**



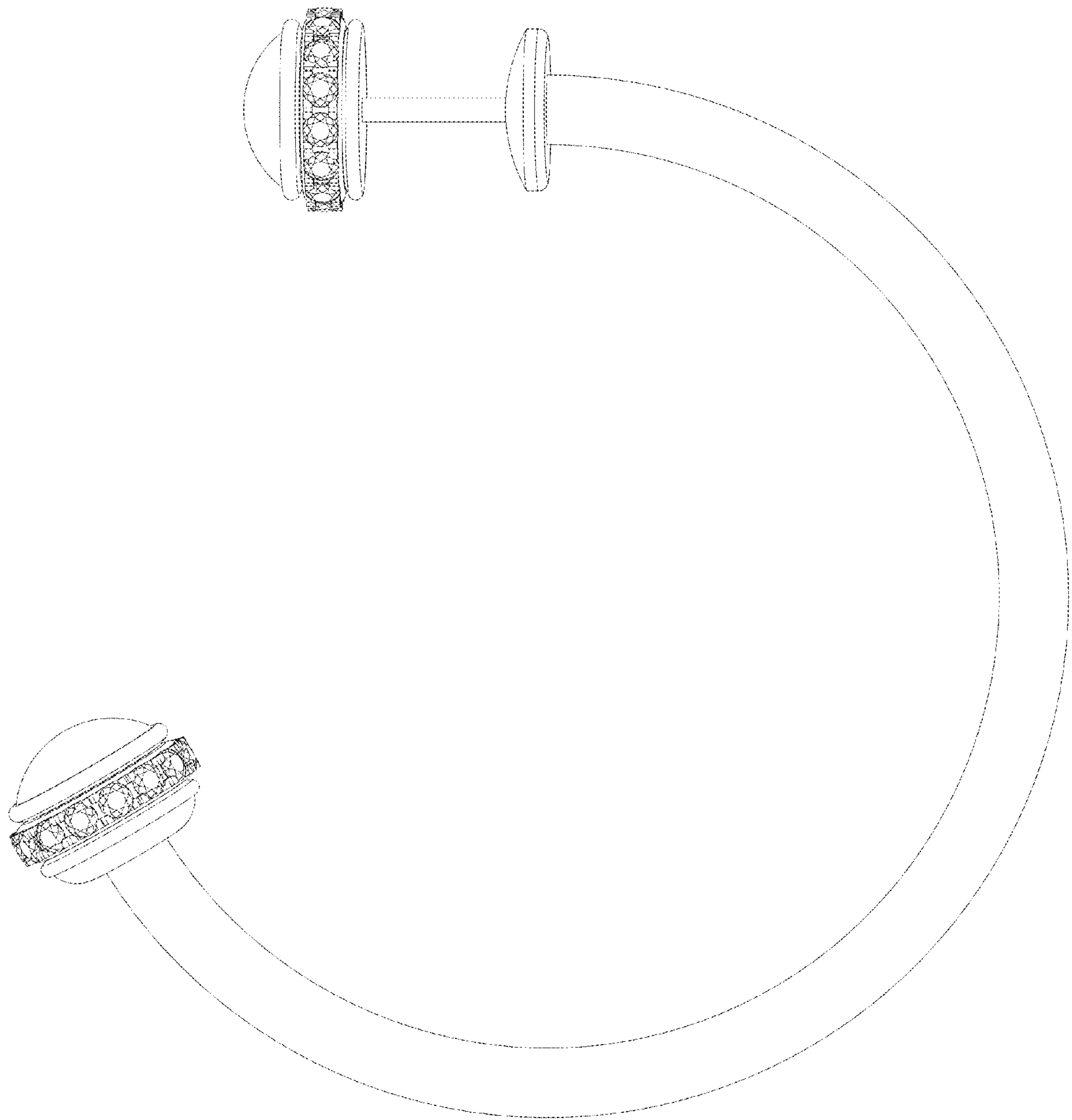


Fig. 1

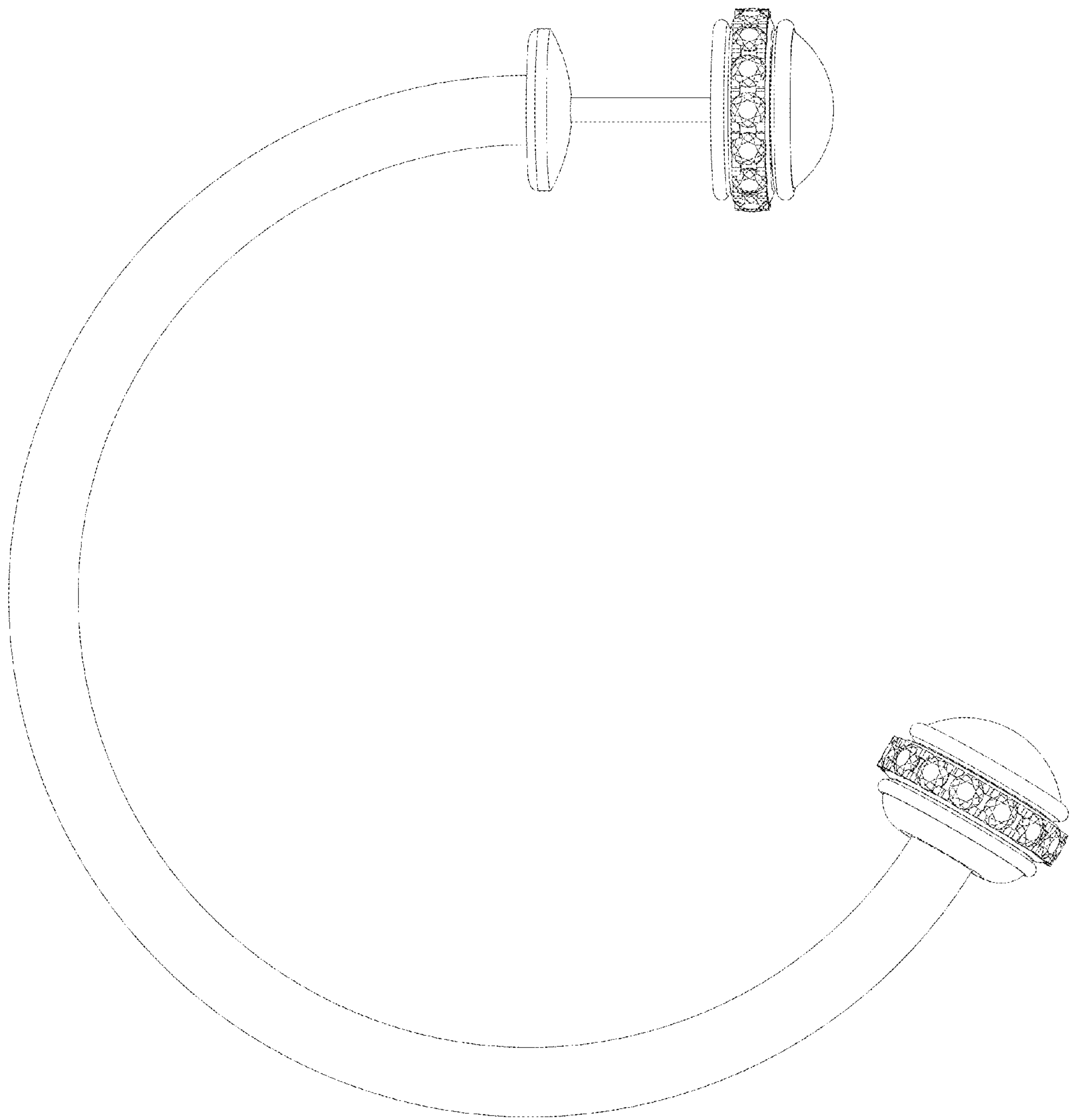


Fig. 2

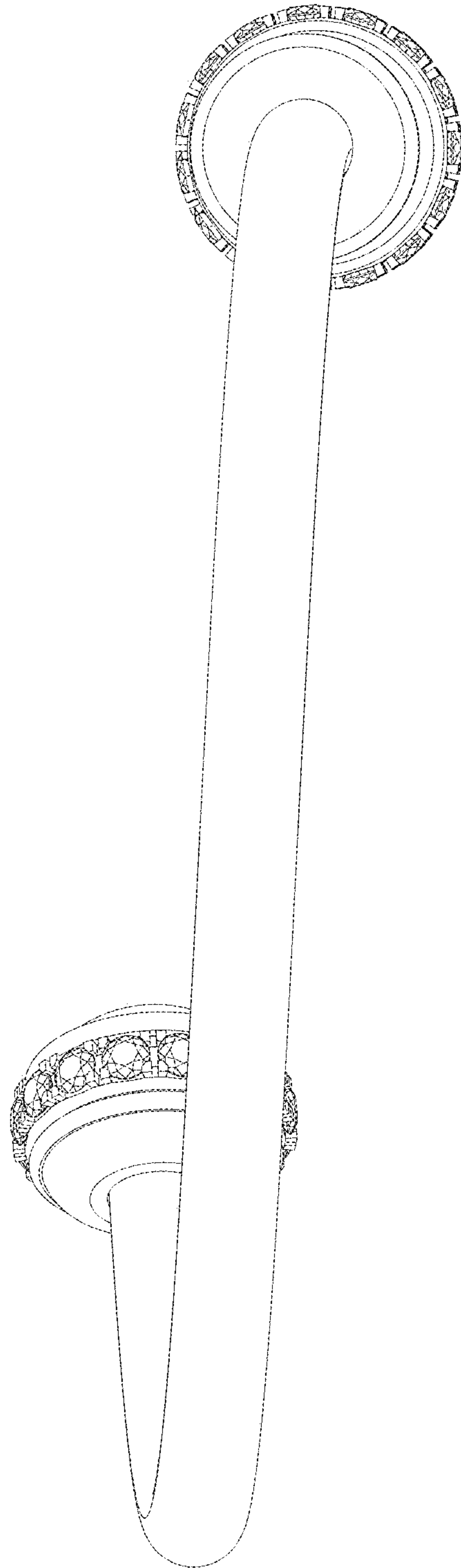


Fig. 3

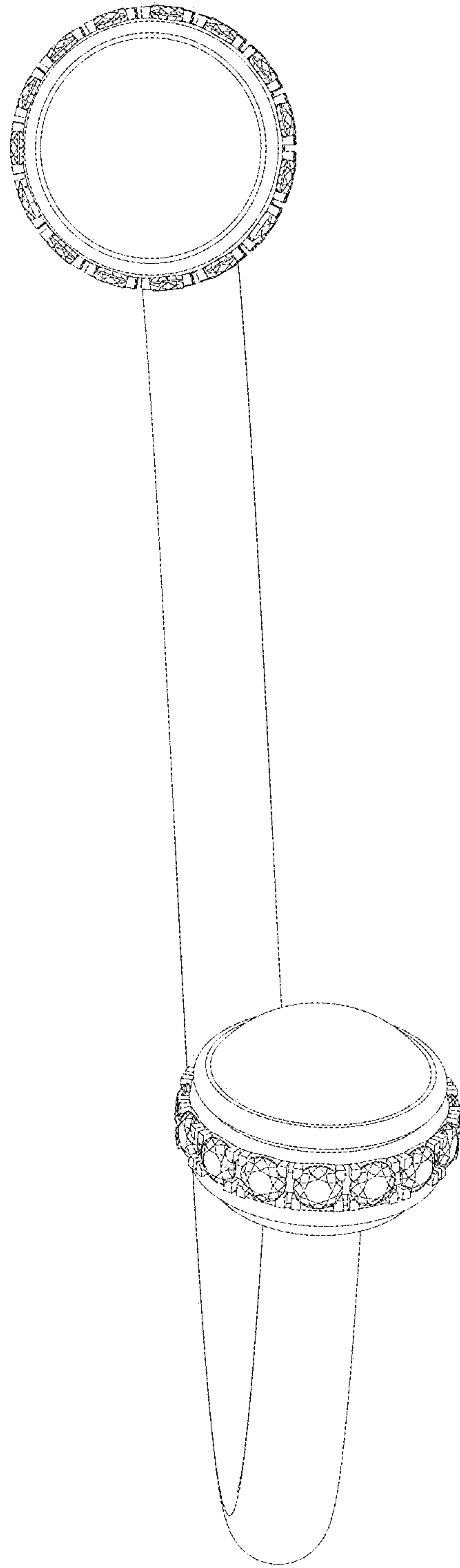


Fig. 4

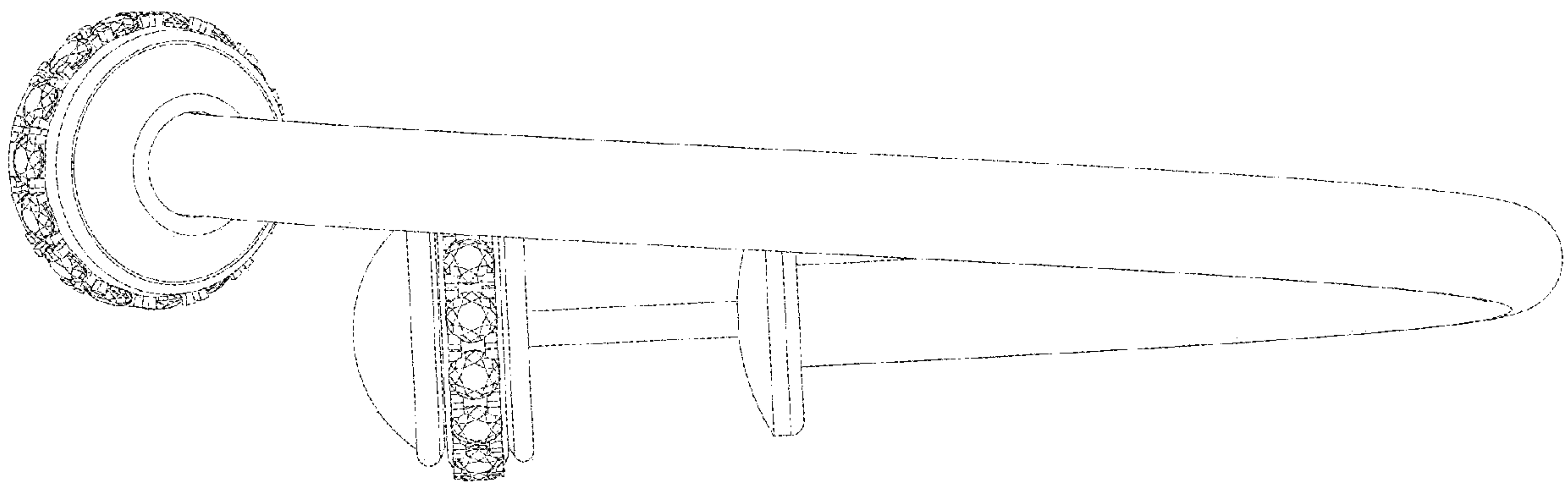


Fig. 5

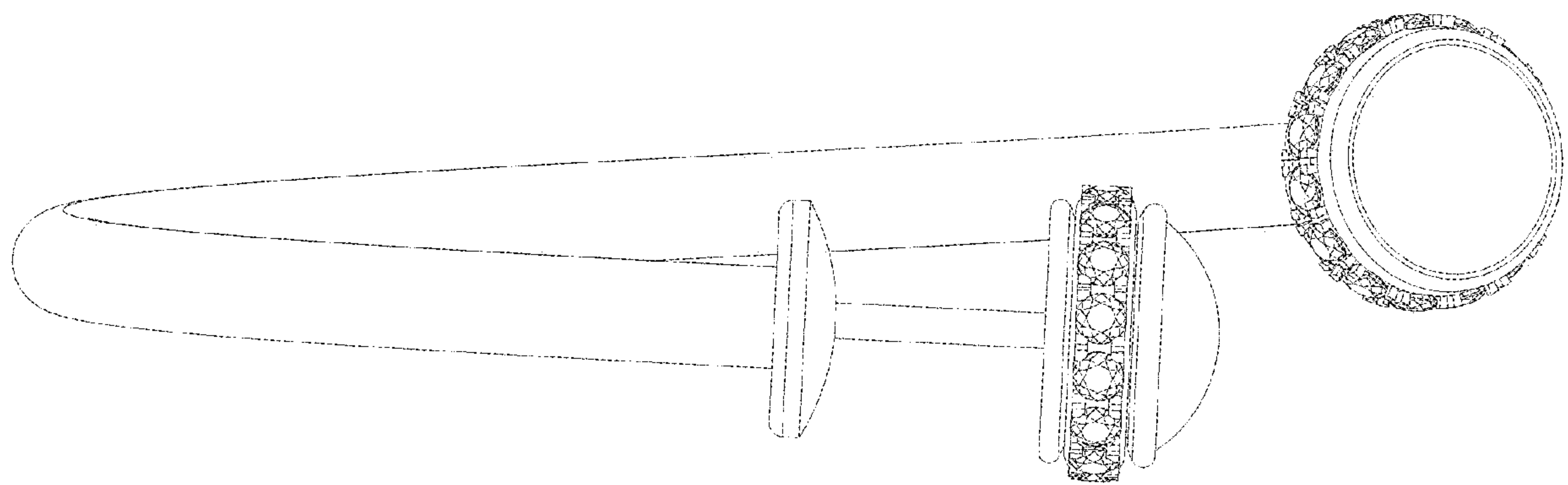


Fig. 6



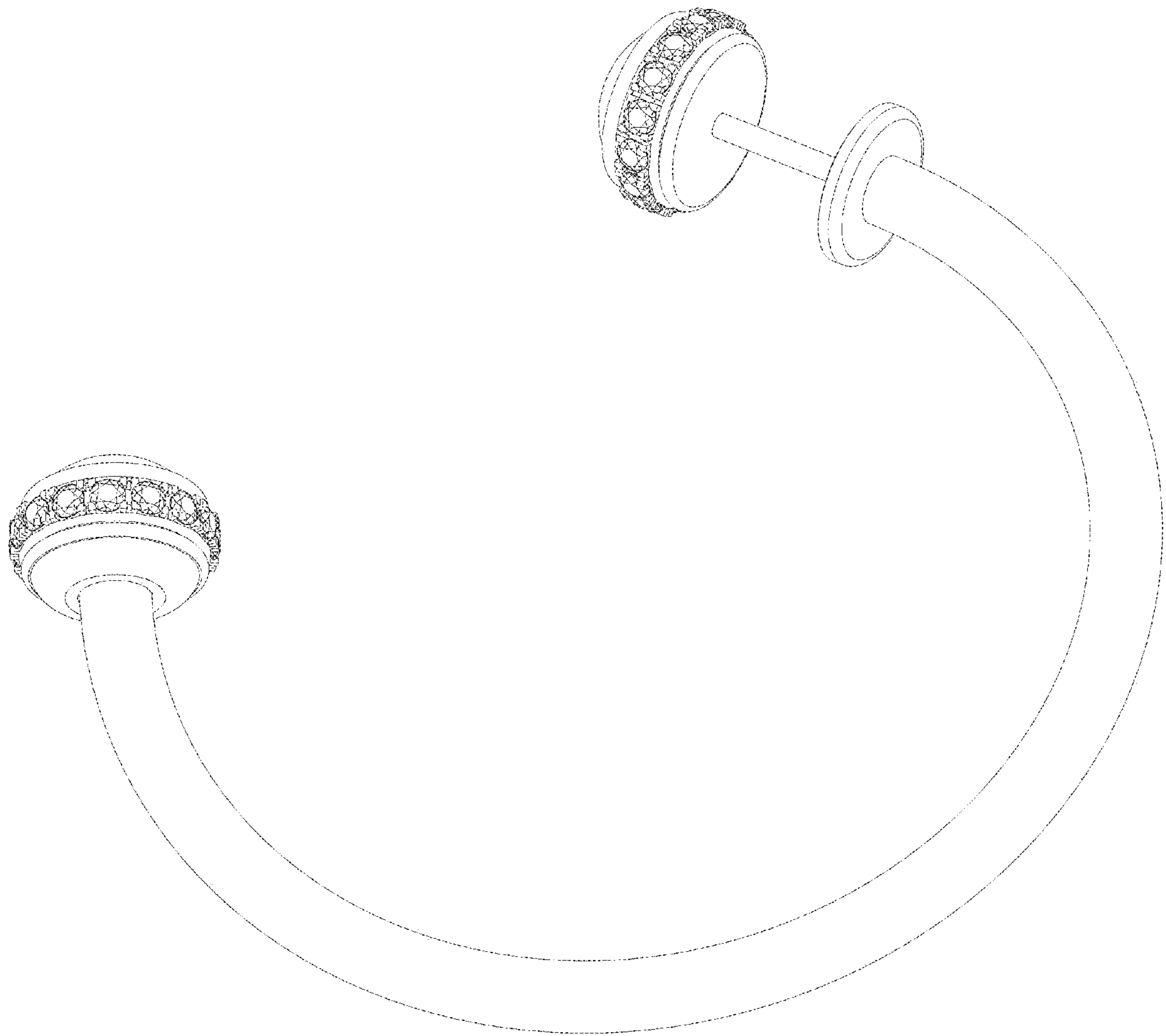


Fig. 7



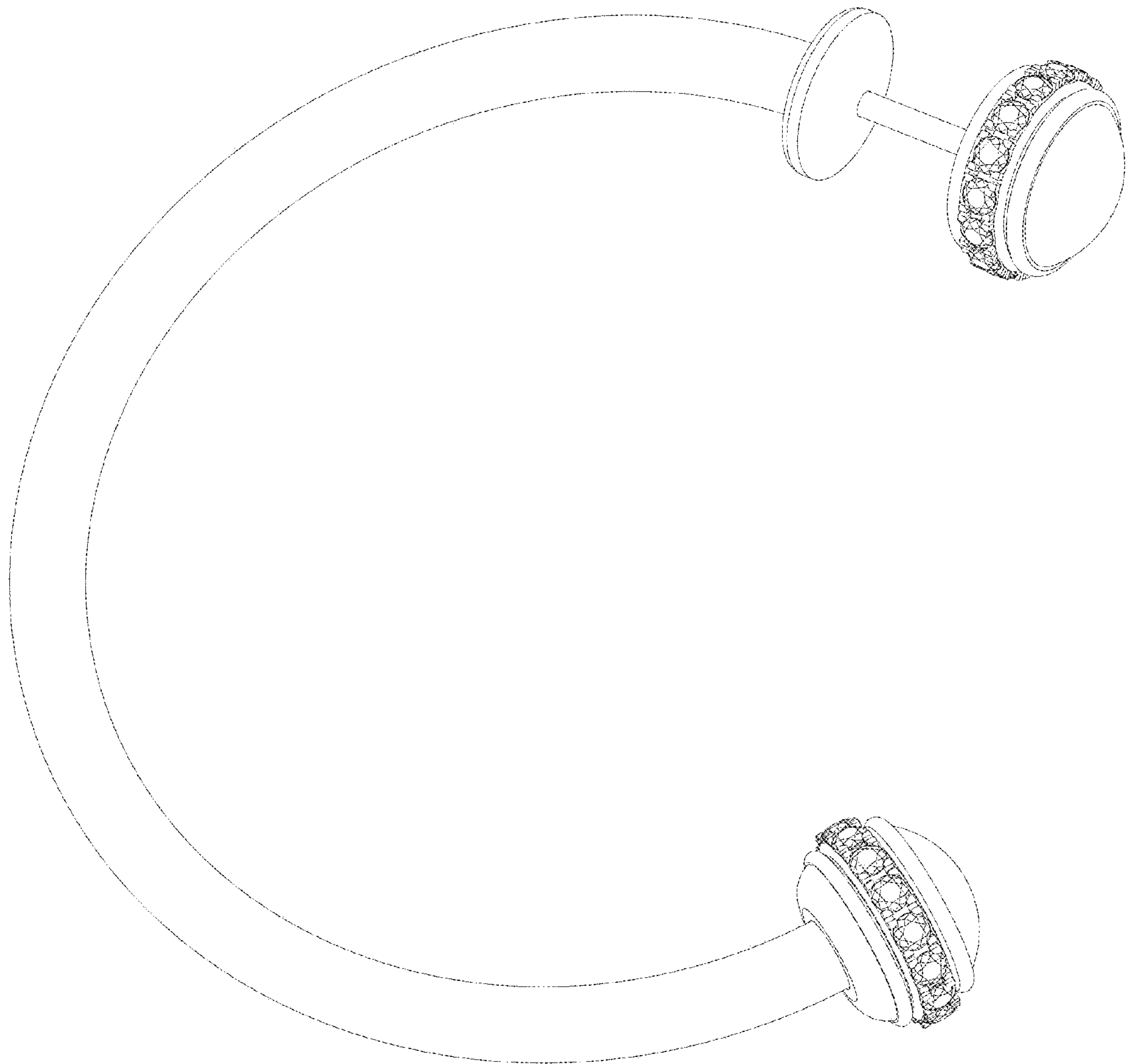


Fig. 8