



US00D906858S

(12) **United States Design Patent**
Gurung

(10) **Patent No.:** **US D906,858 S**

(45) **Date of Patent:** **** Jan. 5, 2021**

(54) **EARRING**

(71) Applicant: **Tasaki & Co., Ltd.**, Kobe (JP)

(72) Inventor: **Prabal Gurung**, New York, NY (US)

(73) Assignee: **Tasaki & Co., Ltd.**, Kobe (JP)

(**) Term: **15 Years**

(21) Appl. No.: **29/685,087**

(22) Filed: **Mar. 26, 2019**

(51) **LOC (13) Cl.** **11-01**

(52) **U.S. Cl.**

USPC **D11/40**

(58) **Field of Classification Search**

USPC ... D11/1, 2, 7, 8, 16, 17, 40-45, 63, 79, 80,
D11/84, 87, 88, 91, 92, 97, 139, 68, 75,
D11/76, 77, 85, 22, 47, 86, 225, 241, 33,
D11/115, 231, 237, 93; D30/155

CPC A44C 15/005; A44C 15/001; A44C 7/00;
A44C 7/002; A44C 7/003; A44C 7/004;
A44C 7/005; A44C 7/006; A44C 7/007;
A44C 7/008; A44C 7/009; A44C 25/00;
A44C 25/001; A44C 25/002; A44C
25/004; A44C 25/007; A44C 1/00; A44C
15/00

See application file for complete search history.

(56) **References Cited**

U.S. PATENT DOCUMENTS

1,732,250 A * 10/1929 Wehse A44C 7/009
63/14.2
D109,332 S * 4/1938 Mix D11/231
D164,946 S * 10/1951 Philippe D11/45
D208,263 S * 8/1967 Mariani D11/43
D256,403 S * 8/1980 Hocq D11/202
D497,322 S * 10/2004 Gruosi-Scheufele D11/79

D542,696 S * 5/2007 Cilluffo D11/40
D579,373 S * 10/2008 Rosenthal D11/79
D594,770 S * 6/2009 Grassi Damiani D11/7
D608,237 S * 1/2010 Gruosi D11/79
D659,583 S * 5/2012 Papadimitriou D11/43
D661,220 S * 6/2012 Papadimitriou D11/79

OTHER PUBLICATIONS

Bo Tasaki Atelier Nacreous E 4170, Nov. 25, 2019, [online], [site visited Sep. 1, 2020]. Retrieved from url:https://www.likeab.com/en/bo-tasaki-atelier-nacreous-e-4170-or-perles-akoya-4-2/(Year: 2019).*
Overstock Contemporary Double Circle Earring, no date available, [online], [site visited Sep. 1, 2020]. Retrieved from url: https://www.overstock.com/Jewelry-Watches/Handmade-Contemporary-Double-Circle-2-in-1-Sterling-Silver-Post-Drop-Earrings-Thailand/28337042/product.html (Year: 2020).*

* cited by examiner

Primary Examiner — Michelle E. Wilson

Assistant Examiner — Tracey J Bell

(74) *Attorney, Agent, or Firm* — Fitch, Even, Tabin & Flannery LLP

(57) **CLAIM**

I claim the ornamental design for an earring, as shown and described.

DESCRIPTION

FIG. 1 is a perspective view of an earring, showing my new design;

FIG. 2 is a front elevational view thereof;

FIG. 3 is a rear elevational view thereof;

FIG. 4 is a top plan view thereof;

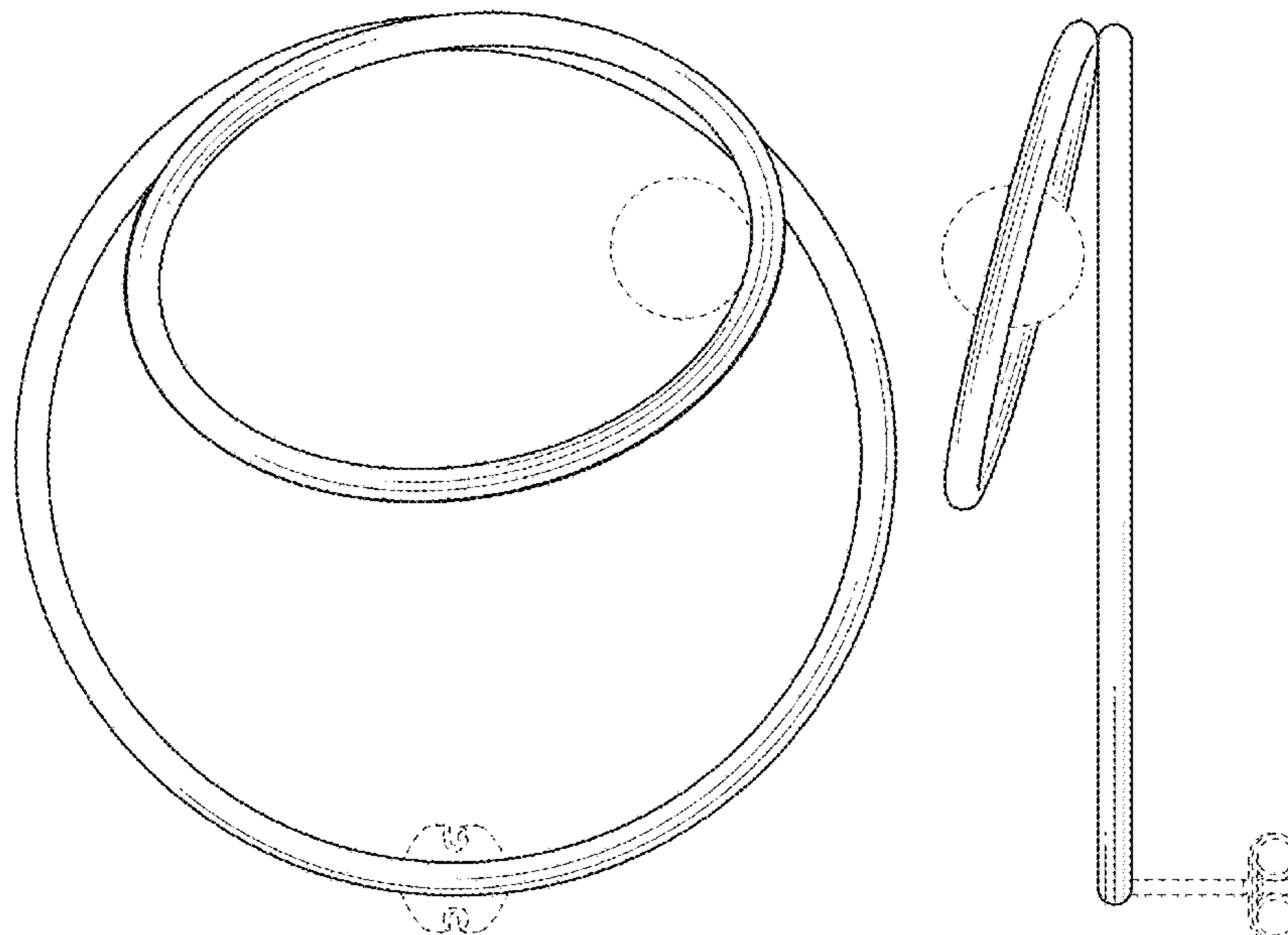
FIG. 5 is a bottom plan view thereof;

FIG. 6 is a right side elevational view thereof; and,

FIG. 7 is a left side elevational view thereof.

The broken lines illustrate portions of the earring and form no part of the claimed design.

1 Claim, 3 Drawing Sheets



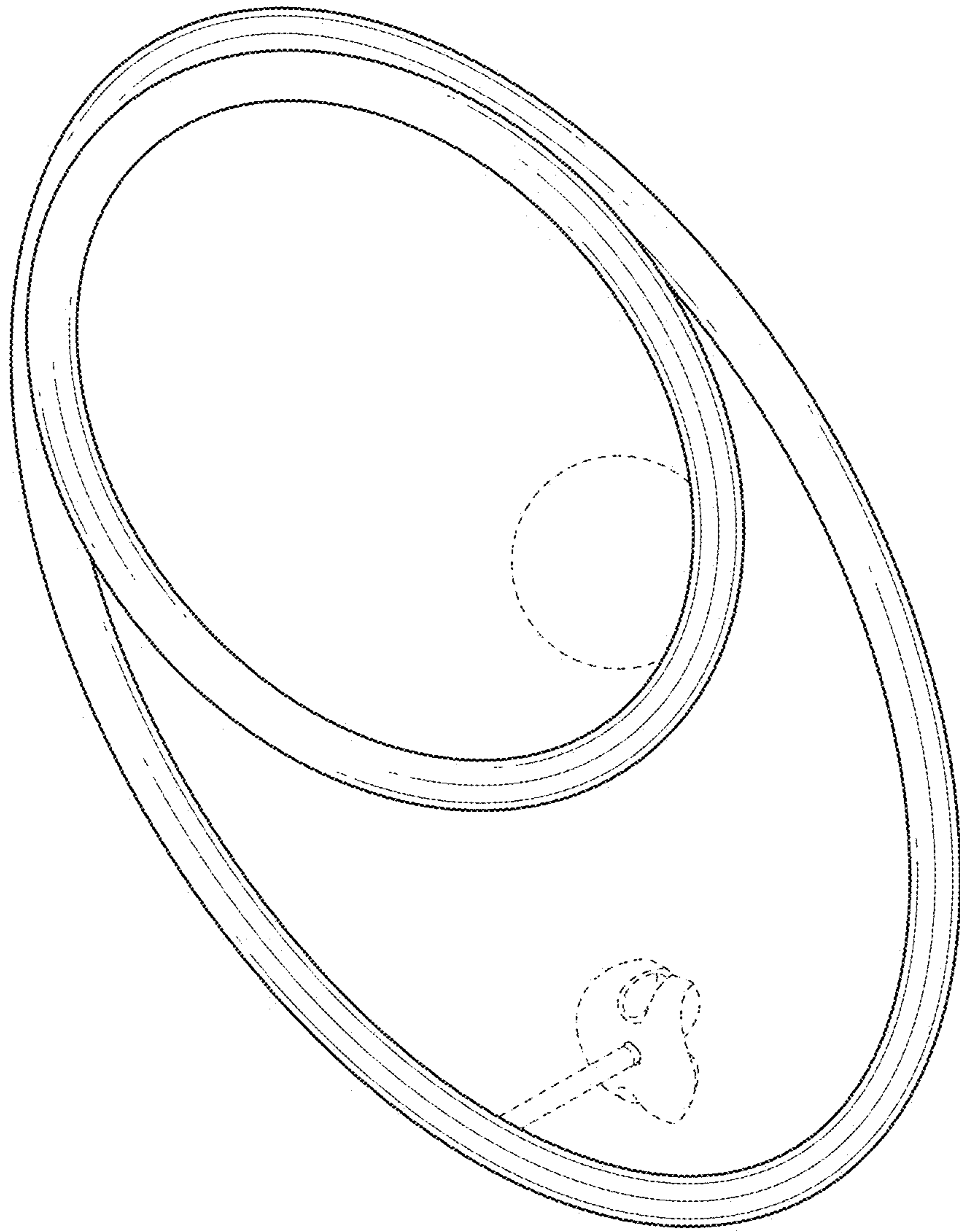


FIG. 1

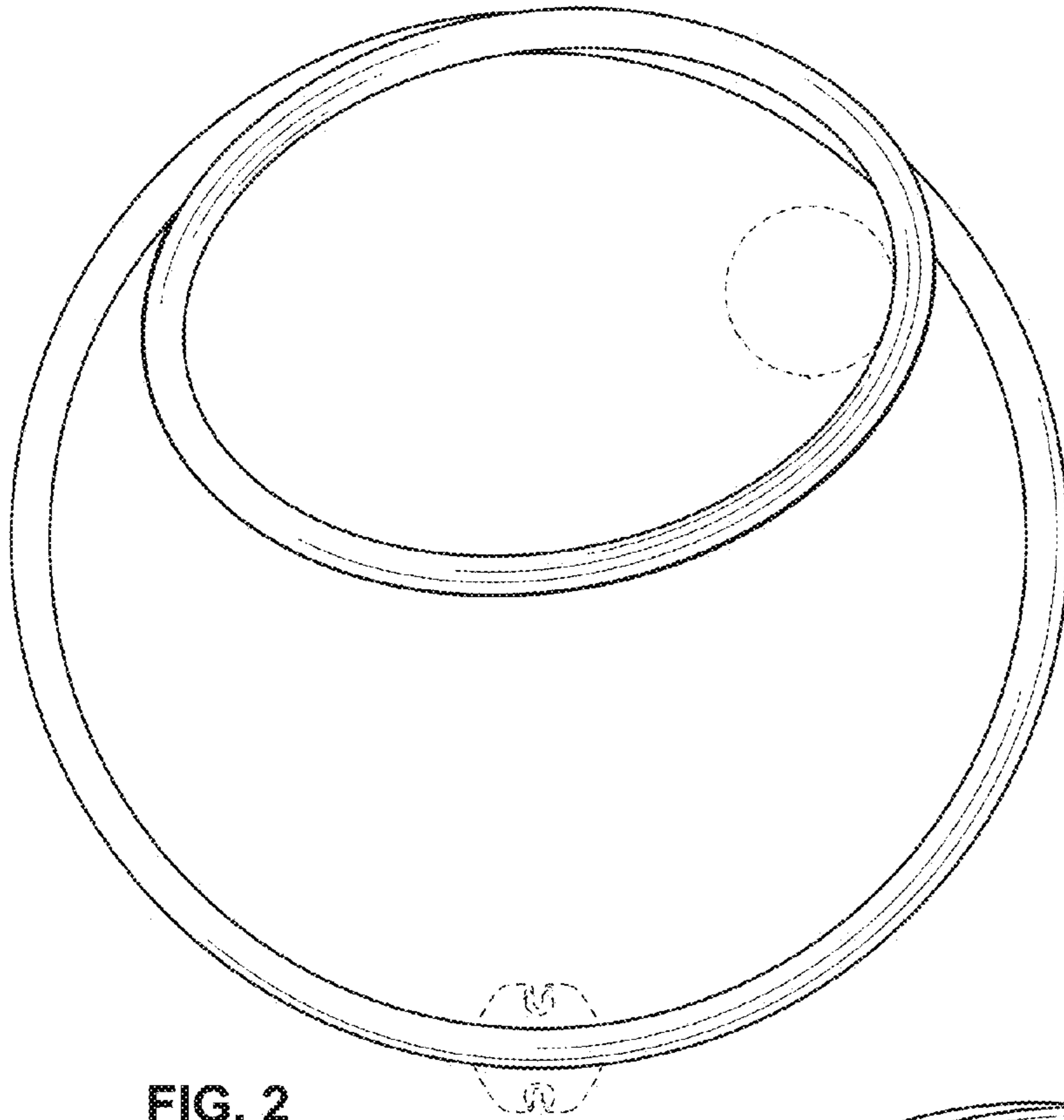


FIG. 2

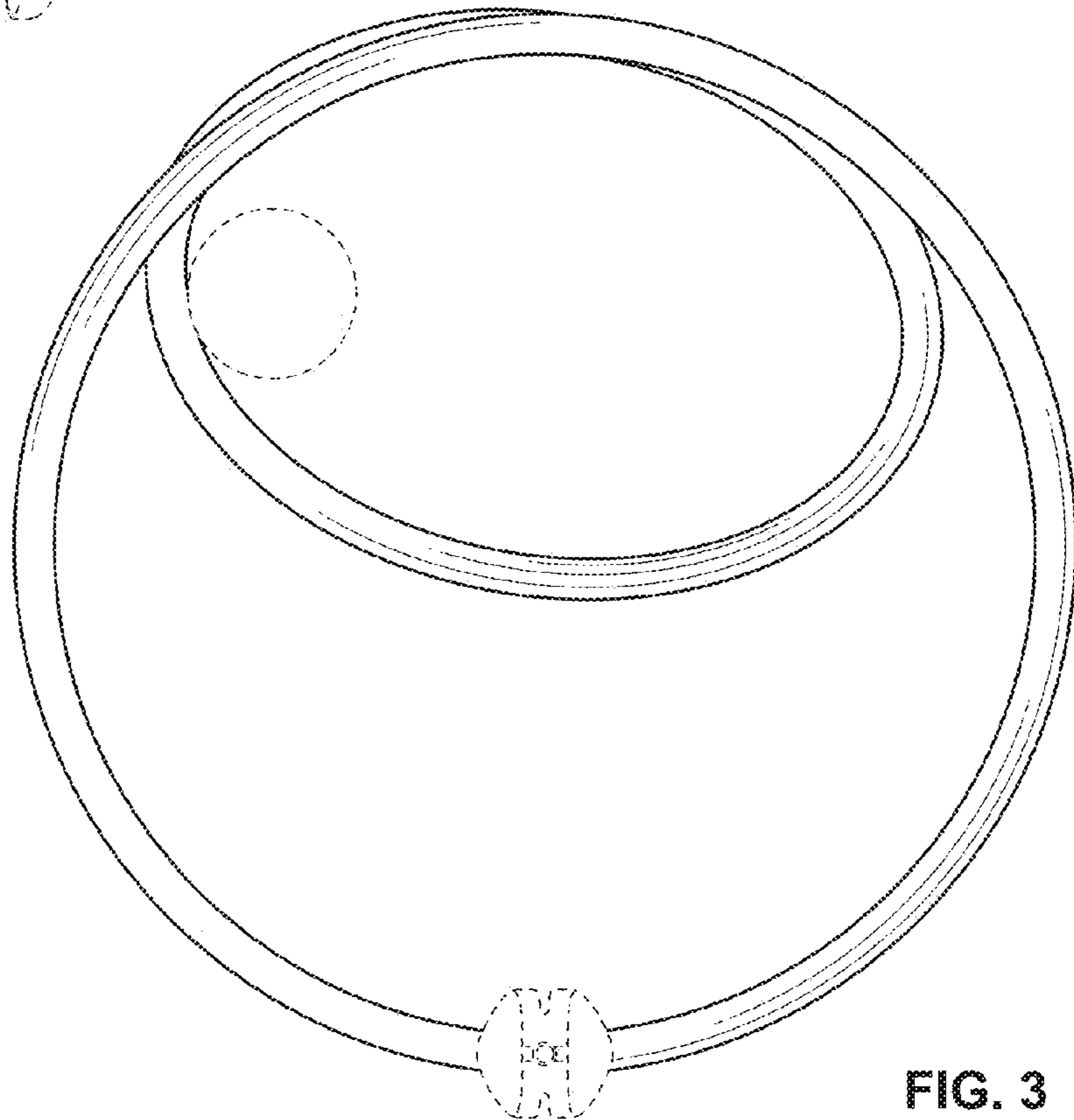


FIG. 3

