



US00D906855S

(12) **United States Design Patent** (10) **Patent No.:** **US D906,855 S**
Morris (45) **Date of Patent:** **** Jan. 5, 2021**

- (54) **COMBINED CUFF AND CLASP**
- (71) Applicant: **Morris Henry Designs LLC**, New Hope, MN (US)
- (72) Inventor: **Lisa Evette Morris**, New Hope, MN (US)
- (73) Assignee: **Morris Henry Designs LLC**, New Hope, MN (US)
- (**) Term: **15 Years**
- (21) Appl. No.: **29/626,629**
- (22) Filed: **Nov. 17, 2017**

Related U.S. Application Data

- (62) Division of application No. 29/550,691, filed on Jan. 6, 2016, now Pat. No. Des. 806,393.
- (51) **LOC (13) Cl.** **11-01**
- (52) **U.S. Cl.**
USPC **D11/4**
- (58) **Field of Classification Search**
USPC D3/215, 225, 226, 230, 232, 233, 237, D3/318, 322, 324, 325, 327; D8/356; D11/86, 87, 93, 238, 241, 3, 4; D29/120.2; D30/153
CPC .. A44C 5/18; A44C 5/20; A44C 5/185; A44C 5/2009; A44C 5/2014
See application file for complete search history.

(56) **References Cited**

U.S. PATENT DOCUMENTS

- 68,138 A * 8/1867 Whitney E05B 73/0005 70/18
- 144,198 A * 11/1873 Ford A01K 1/0272 119/771
- 452,830 A * 5/1891 Bowie et al. A45F 5/02 224/220
- 1,209,615 A 12/1916 Osboum

- D145,318 S * 7/1946 Lowenst D11/2
 - D149,396 S * 4/1948 Babin D11/5
 - 2,503,570 A * 4/1950 Vogel A44C 5/2071 24/578.15
 - D158,752 S * 5/1950 Katz D11/4
 - D160,613 S * 10/1950 Katz D11/4
- (Continued)

OTHER PUBLICATIONS

DIY on Trend Leather Cuffs, publication date Oct. 2, 2012, [online][site visited Feb. 3, 2020] URL: <https://momspark.net/diy-on-trend-leather-cuffs/> (Year: 2012).*

(Continued)

Primary Examiner — Susan E Krakower
Assistant Examiner — L. A. Grabenstetter
(74) *Attorney, Agent, or Firm* — Schwegman Lundberg & Woessner, P.A.

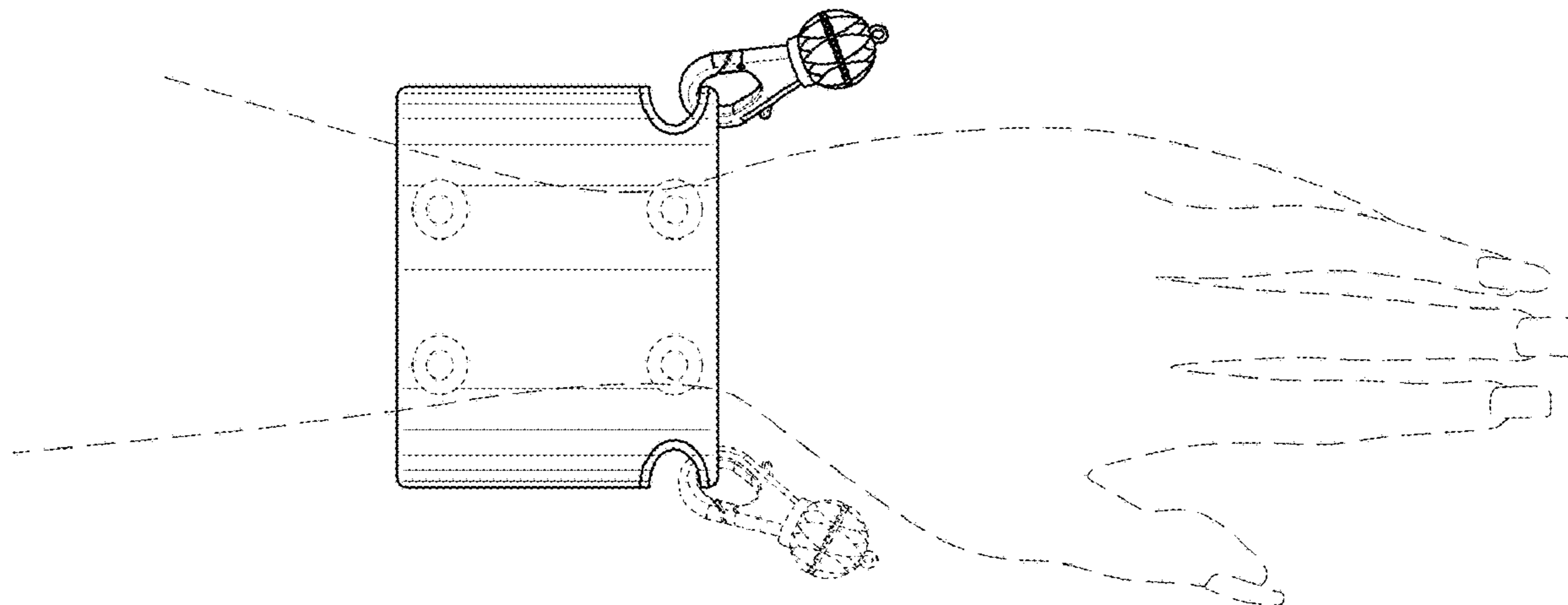
(57) **CLAIM**

The ornamental design for a combined cuff and clasp, as shown and described.

DESCRIPTION

FIG. 1 is a front view of a combined cuff and clasp showing my new design;
FIG. 2 is a right side view of the combined cuff and clasp shown in FIG. 1;
FIG. 3 is a left side view of the combined cuff and clasp shown in FIGS. 1 and 2; and,
FIG. 4 is a rear view of the combined cuff and clasp shown in FIGS. 1-3, shown with the claimed clasp removed for clarity of illustration.
The broken lines, and unshaded surfaces surrounded by broken lines, depicting features of the combined cuff and clasp represent portions of the article that form no part of the claimed design. The broken lines depicting a hand represent environmental subject matter that forms no part of the claimed design.

1 Claim, 2 Drawing Sheets



(56)

References Cited

U.S. PATENT DOCUMENTS

D161,065 S * 11/1950 Stratman D3/225
 2,553,317 A * 5/1951 Hill A45C 13/20
 224/221
 2,553,889 A * 5/1951 Batdorf A44C 5/20
 24/598.9
 D164,611 S * 9/1951 Tenzer D3/226
 2,604,632 A * 7/1952 Whitehouse A44B 11/008
 2/322
 3,034,189 A * 5/1962 Twentier A44C 5/18
 2/322
 D217,423 S * 5/1970 Thompson D8/330
 3,531,948 A * 10/1970 Anderson A44C 5/185
 63/5.1
 D249,592 S * 9/1978 Libonati 224/222
 D260,620 S * 9/1981 Blum D11/3
 D293,561 S * 1/1988 Bulgari D11/3
 D338,339 S 8/1993 Anderson et al.
 D344,038 S * 2/1994 Phillips D11/3
 D352,253 S * 11/1994 Tortolano, Jr. D11/4
 D352,572 S * 11/1994 Pustizzi, Jr. D29/120.2
 D366,007 S 1/1996 Colpo
 D384,814 S 10/1997 Romigialli
 D390,496 S 2/1998 Olsen et al.
 D394,411 S * 5/1998 Gozlan D11/4
 D411,477 S 6/1999 Collins et al.
 D421,406 S 3/2000 Door
 D426,699 S * 6/2000 Dickerson D3/215
 D451,668 S * 12/2001 Lewis D3/226
 D456,604 S 5/2002 Plummer
 D461,312 S 8/2002 Proot et al.
 D467,071 S 12/2002 Bodony
 D468,094 S * 1/2003 Bomann D3/226
 D469,249 S * 1/2003 Cain D3/215
 D479,147 S 9/2003 Winfield
 D496,786 S * 10/2004 Wolf D3/215
 D519,686 S * 4/2006 Alameddine D30/153
 D544,211 S 6/2007 Herzberg
 D546,557 S * 7/2007 Thomas D3/226
 D552,003 S * 10/2007 Lecut D11/3
 D571,557 S 6/2008 Lawler
 D572,483 S 7/2008 Gonzalez
 D572,621 S * 7/2008 Osipov D11/13
 D573,504 S * 7/2008 Lecut D11/4
 D581,827 S 12/2008 Moss
 D592,854 S 5/2009 Gonzalez
 D593,748 S * 6/2009 Farfante D3/226
 D601,916 S 10/2009 Moss
 D606,315 S 12/2009 Mangano et al.
 D618,128 S * 6/2010 Clark D11/3

D632,204 S 2/2011 Schmitz
 D632,482 S 2/2011 Gois
 D646,486 S 10/2011 Konigsberg et al.
 D646,895 S 10/2011 Nolan et al.
 D651,935 S 1/2012 Greer
 D660,740 S * 5/2012 Cullen D11/3
 D677,191 S * 3/2013 Benjamin D11/4
 D680,320 S * 4/2013 Kryklywicz D3/215
 D716,052 S 10/2014 Sappenfield-chan
 D724,315 S * 3/2015 Farrell D3/226
 D744,662 S * 12/2015 Stevens D2/614
 D764,803 S 8/2016 Chiou
 2003/0164003 A1 * 9/2003 Nanasi A44C 5/2009
 63/3.2
 2009/0013721 A1 * 1/2009 Murao A44C 5/2014
 63/3.1

OTHER PUBLICATIONS

Padlock Bracelet, publication date Mar. 27, 2013, [online][site visited Feb. 3, 2020] URL: <https://www.cutoutandkeep.net/projects/padlock-bracelet> (Year: 2013).*

Coach Hing Leather Grommet Bangle, publication date Aug. 29, 2014; [online][site visited Feb. 3, 2020] URL: <https://www.youtube.com/watch?v=mPpqiJPJbEs> (Year: 2014).*

Vintaj & Leather Go So Well Together!, publication date Jul. 16, 2014, [online][site visited Feb. 3, 2020] URL: <https://blog.rings-things.com/2014/07/vintaj-and-leather-go-so-well-together> (Year: 2014).*

DIY Leather Cuffs from Old Belts, publication date Aug. 27, 2015; [online][site visited Feb. 3, 2020] URL: <https://makeit-loveit.com/diy-leather-cuffs-old-belts> (Year: 2015).*

“U.S. Appl. No. 29/550,691, Examiner Interview Summary dated Jan. 17, 2017”, 2 pgs.
 “U.S. Appl. No. 29/550,691, Examiner Interview Summary dated Mar. 21, 2017”, 2 pgs.
 “U.S. Appl. No. 29/550,691, Examiner Interview Summary dated Jul. 5, 2017”, 3 pgs.
 “U.S. Appl. No. 29/550,691, Non Final Office Action dated Apr. 12, 2017”.
 “U.S. Appl. No. 29/550,691, Notice of Allowance dated Aug. 30, 2017”, 5 pgs.
 “U.S. Appl. No. 29/550,691, Response filed Feb. 2, 2017 to Restriction Requirement dated Jan. 4, 2017”, 1 pgs.
 “U.S. Appl. No. 29/550,691, Response filed Jul. 5, 2017 to Non Final Office Action dated Apr. 12, 2017”, 9 pgs.
 “U.S. Appl. No. 29/550,691, Restriction Requirement dated Jan. 4, 2017”, 11 pgs.

* cited by examiner

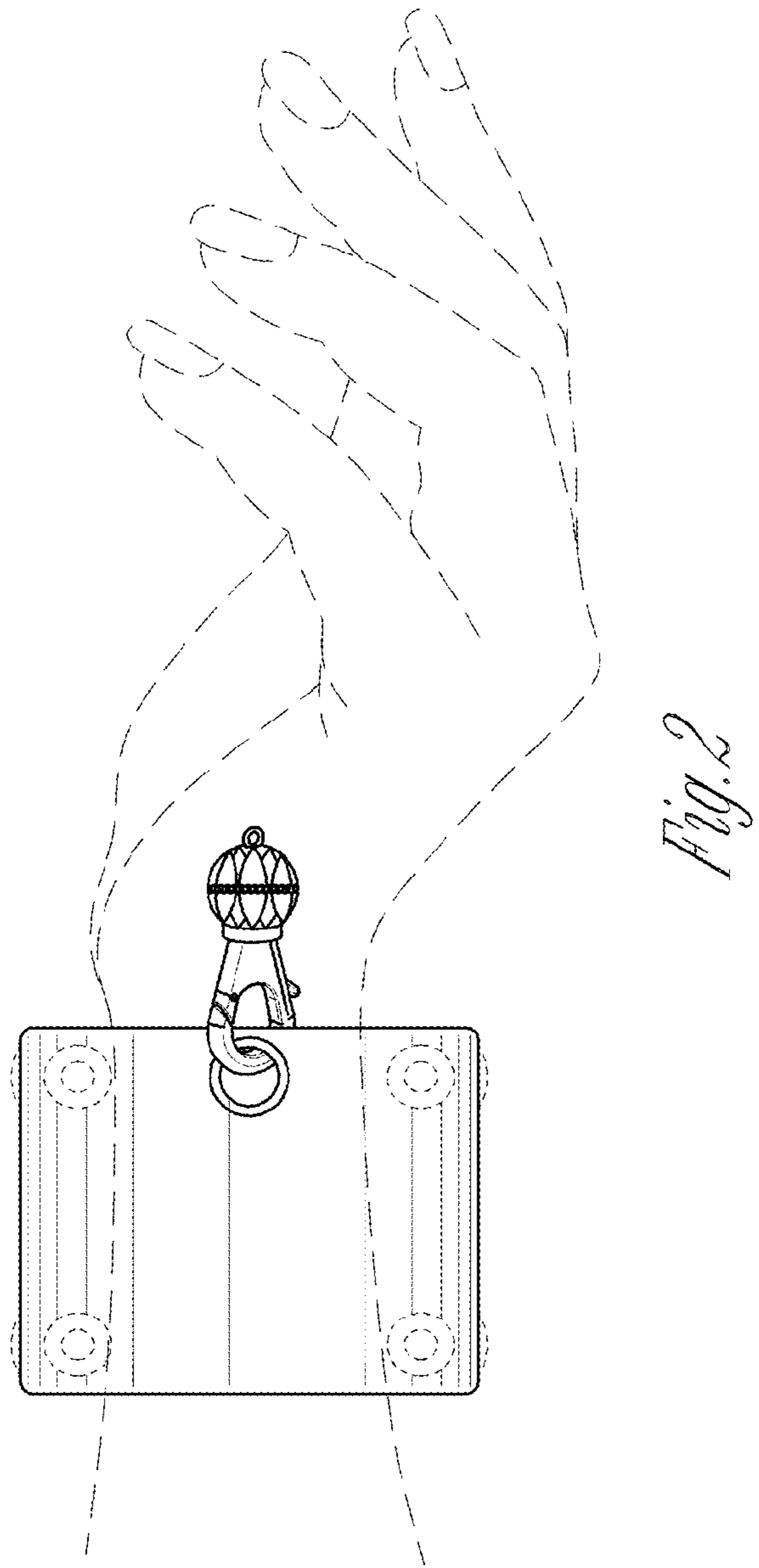
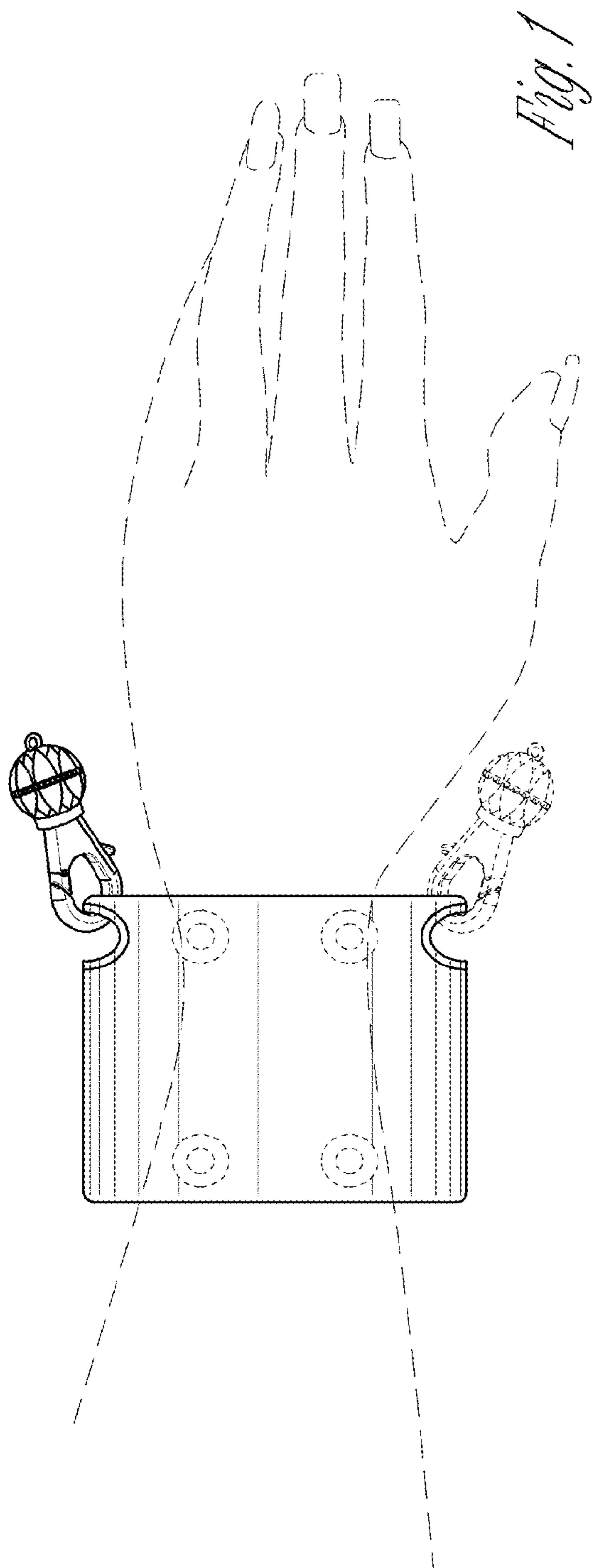


Fig. 3

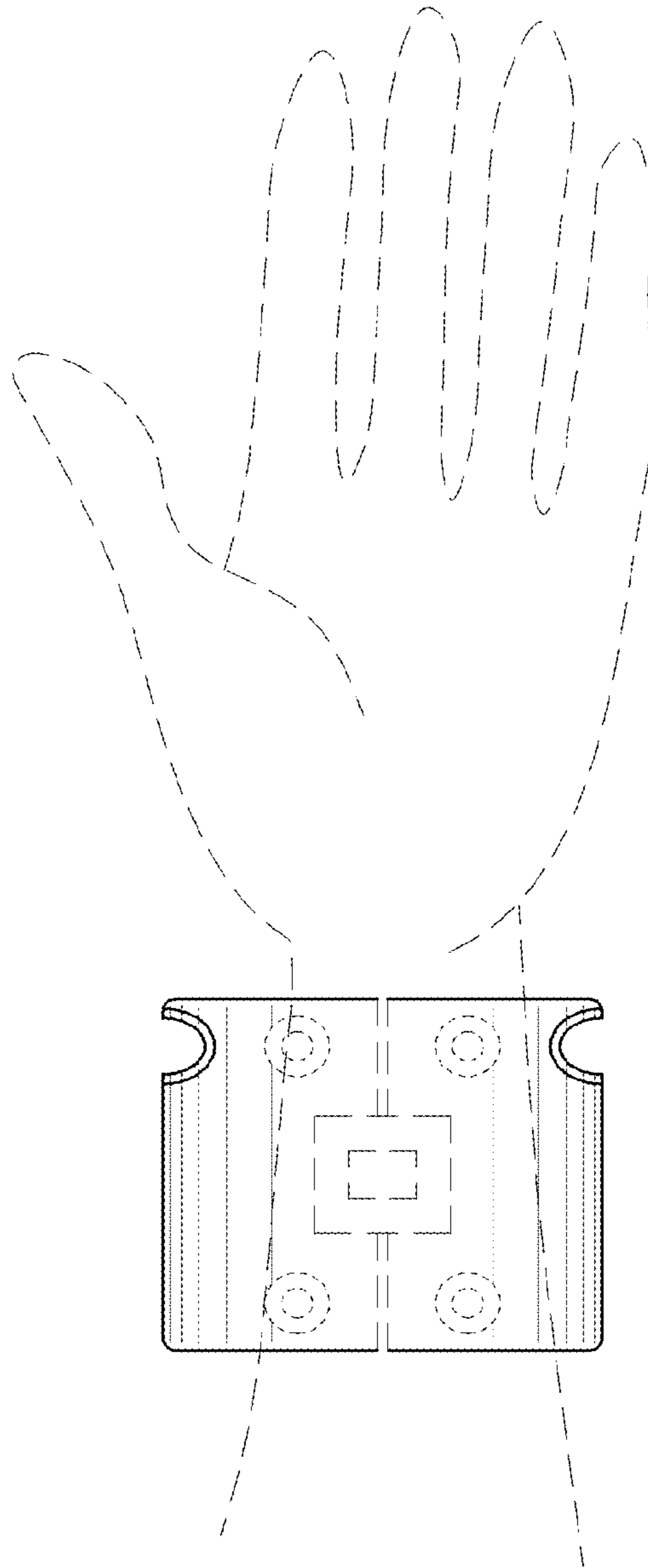
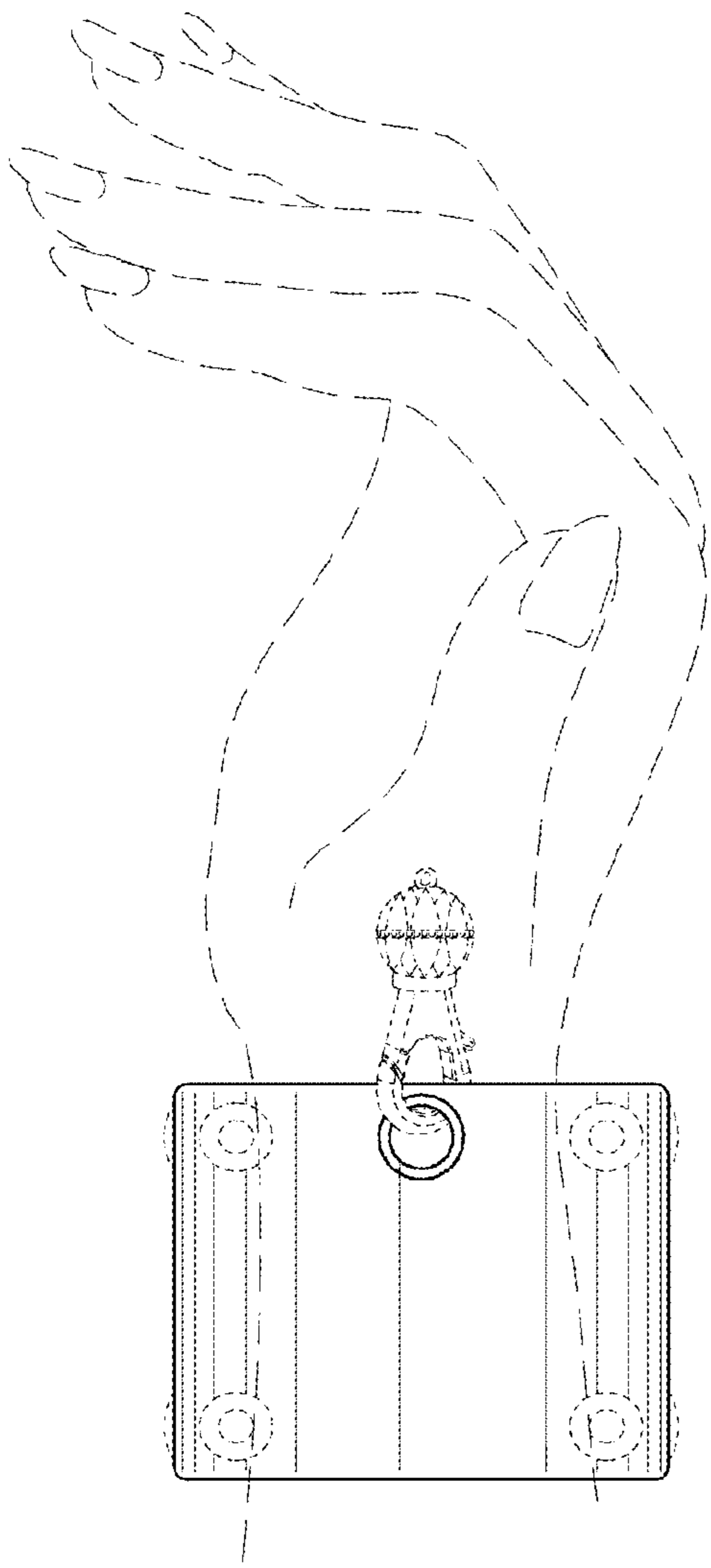


Fig. 4