



US00D906847S

(12) **United States Design Patent** (10) **Patent No.:** **US D906,847 S**  
**Wurts et al.** (45) **Date of Patent:** **\*\* Jan. 5, 2021**

(54) **BACKFLOW TESTING DEVICE**

(71) Applicant: **Arbiter Incorporated**, Camas, WA (US)

(72) Inventors: **Mark Wurts**, Los Angeles, CA (US); **Adolfo Jose Wurts**, Washougal, WA (US); **Demian Mendez**, Camas, WA (US)

(73) Assignee: **Arbiter Incorporated**, Camas, WA (US)

(\*\*) Term: **15 Years**

(21) Appl. No.: **29/688,164**

(22) Filed: **Apr. 18, 2019**

(51) **LOC (13) Cl.** ..... **10-04**

(52) **U.S. Cl.**  
USPC ..... **D10/96**

(58) **Field of Classification Search**  
USPC ..... **D10/96, 101**

(Continued)

(56) **References Cited**

**U.S. PATENT DOCUMENTS**

5,257,208 A \* 10/1993 Brown ..... F16K 37/0091  
340/626

D478,516 S \* 8/2003 Larsson ..... D10/59  
(Continued)

**OTHER PUBLICATIONS**

General Electric Co., DPI 705 Series—Druck Handheld Pressure Indicators—Data Sheet, downloaded from <https://www.transcat.com/media/pdf/dpi705.pdf> on Apr. 17, 2019, pp. 1-4, Transcat, 35 Vantage Point Drive, Rochester NY 14624.

*Primary Examiner* — Antoine Duval Davis

(74) *Attorney, Agent, or Firm* — J. Douglas Wells; McCoy Russell LLP

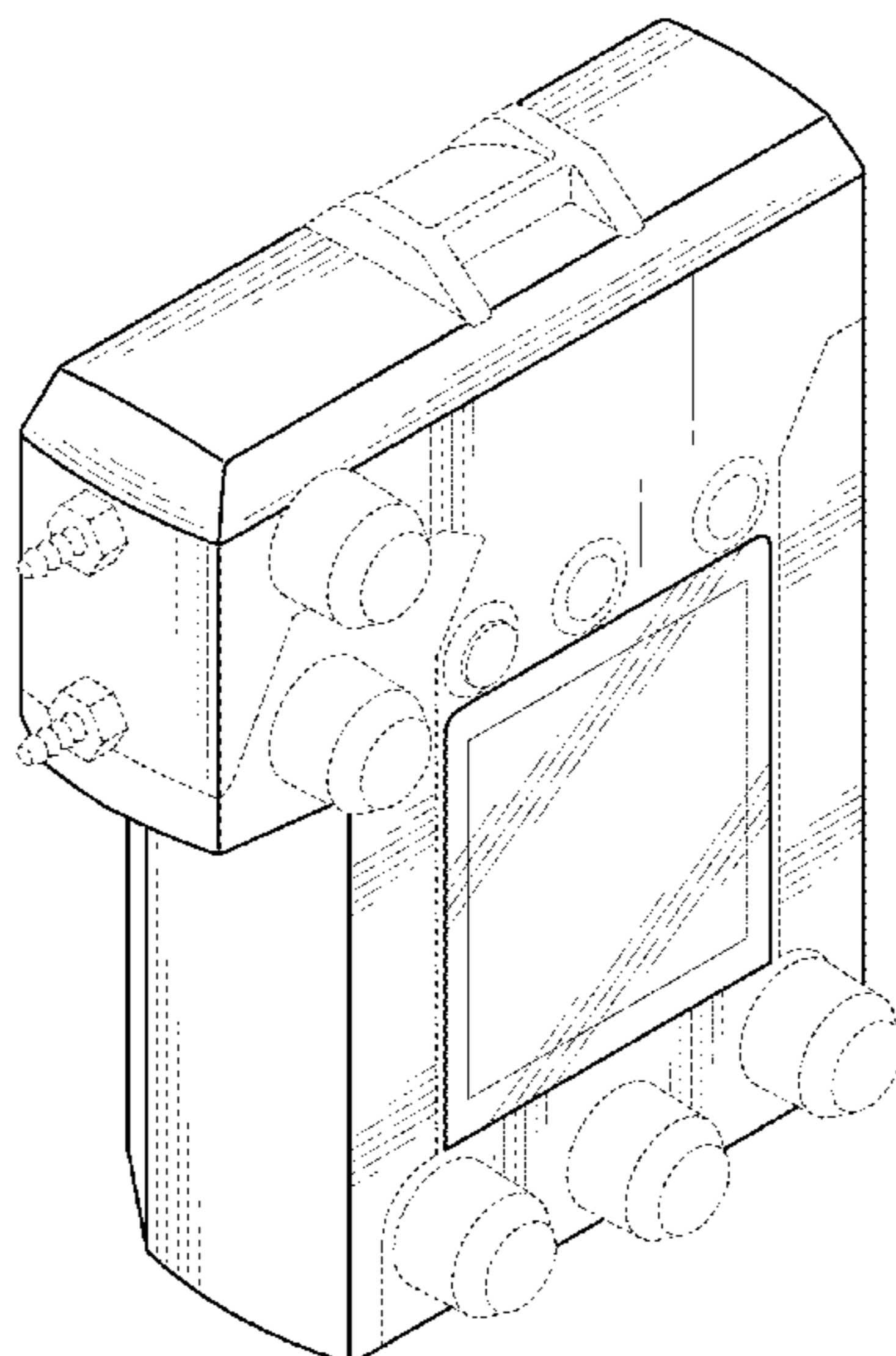
(57) **CLAIM**

The ornamental design for a backflow testing device, as shown and described.

**DESCRIPTION**

FIG. 1 is a front/top/left perspective view of a first embodiment of a backflow testing device, showing our new design; FIG. 2 is a rear/bottom/right perspective view thereof; FIG. 3 is a front elevation view thereof; FIG. 4 is a left side view thereof; FIG. 5 is a right side view thereof; FIG. 6 is a top plan view thereof; FIG. 7 is a bottom plan view thereof; FIG. 8 is a rear elevation view thereof; FIG. 9 is a front/top/left perspective view a second embodiment of a backflow testing device, stippled for the color black; FIG. 10 is a rear/bottom/right perspective view thereof, stippled for the color black; FIG. 11 is a front/top/left perspective view a third embodiment of a backflow testing device, wherein the stippled areas represent a contrasted color, the contrasted color being non-black but otherwise not representing a specific color or color combination; FIG. 12 is a rear/bottom/right perspective view thereof, wherein the stippled areas represent a contrasted color, the contrasted color being non-black but otherwise not representing a specific color or color combination; FIG. 13 is a front/top/left perspective view a fourth embodiment of a backflow testing device, wherein the stippled areas represent a blue-green color; and, FIG. 14 is a rear/bottom/right perspective view thereof, wherein the stippled areas represent a blue-green color. The broken line disclosure of the hook is disposed within a circular cavity in FIGS. 2, 10, 12 and 14. The broken lines shown throughout the drawing views are for illustrative purposes only and form no part of the claimed design.

**1 Claim, 12 Drawing Sheets**



(58) **Field of Classification Search**

CPC ..... G01M 99/008; F17D 5/00; F16K 37/0091

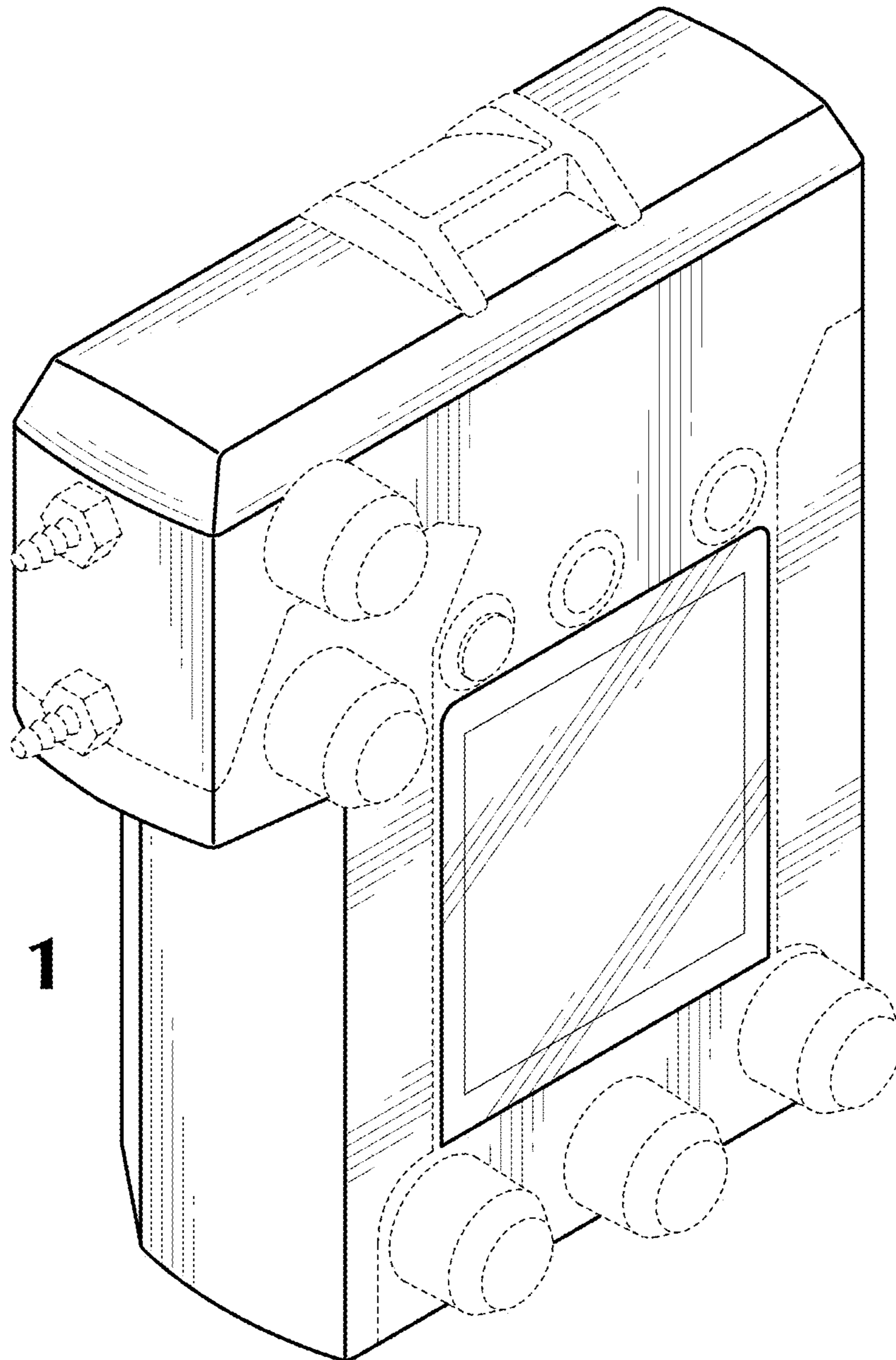
See application file for complete search history.

(56) **References Cited**

U.S. PATENT DOCUMENTS

D662,845 S *	7/2012	Guerrero .....	D10/96
9,476,805 B2 *	10/2016	Doran .....	G01M 99/008
D802,459 S *	11/2017	Lemke .....	F16K 37/0091
			D10/96

\* cited by examiner



**FIG. 1**

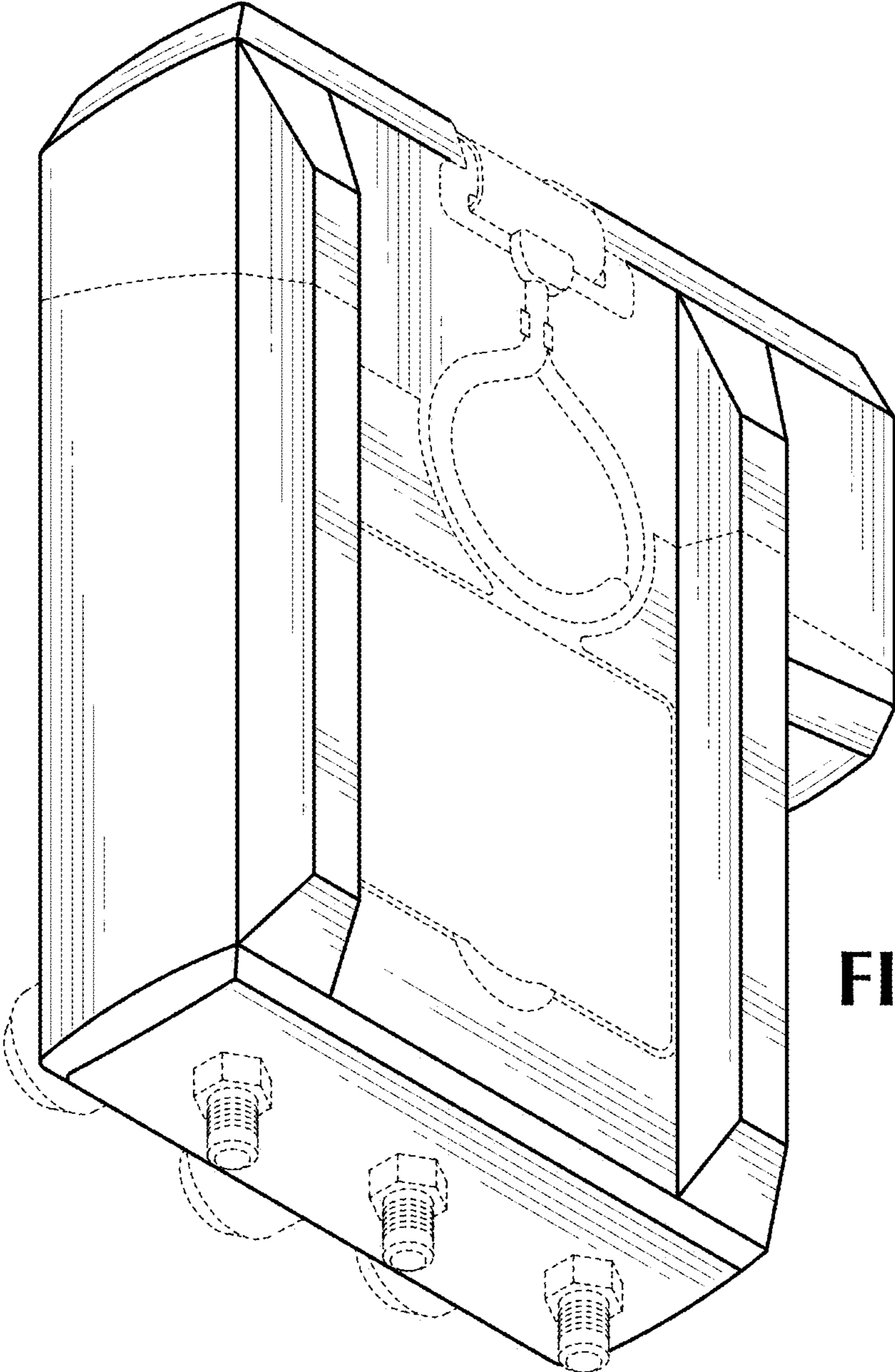


FIG. 2

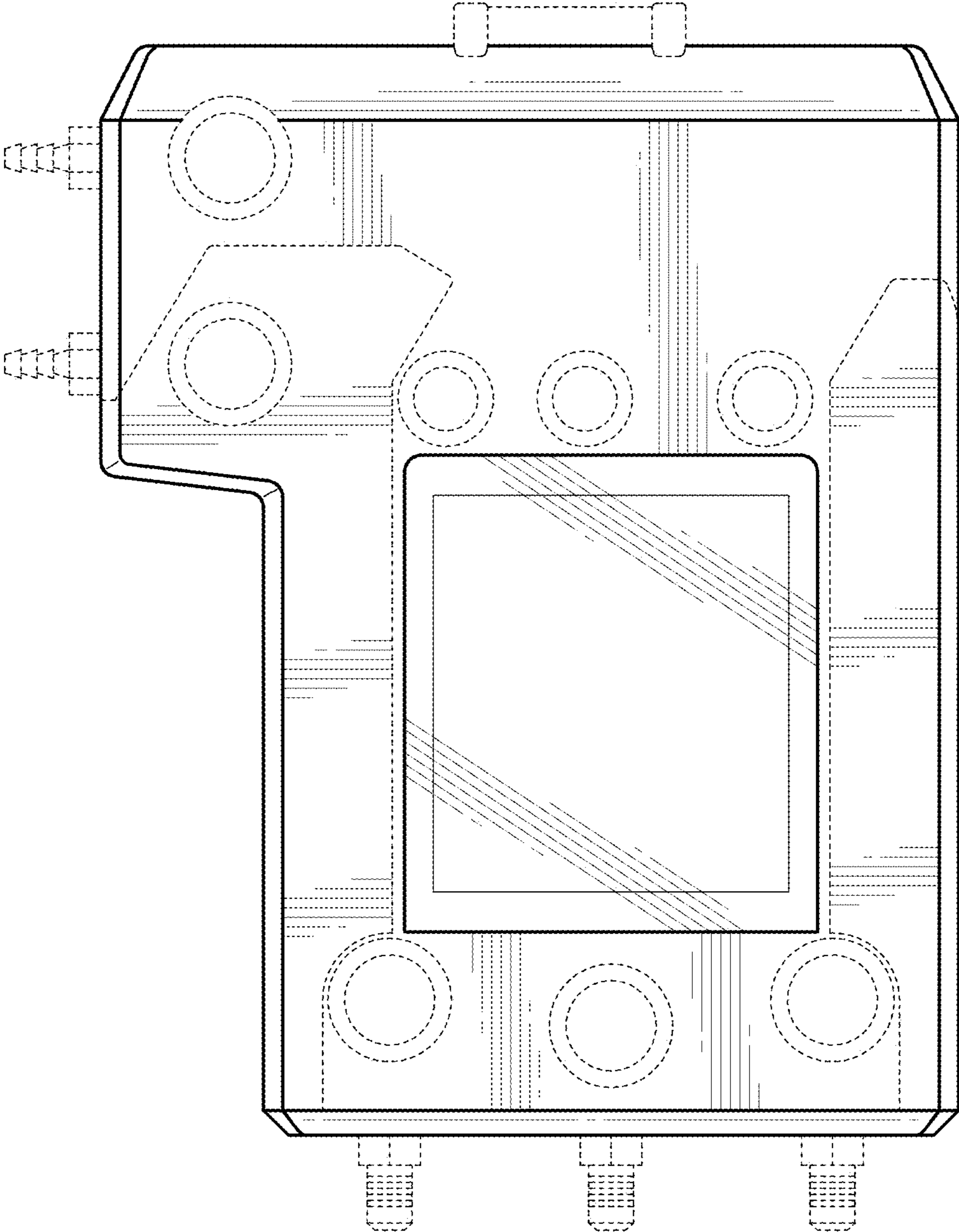
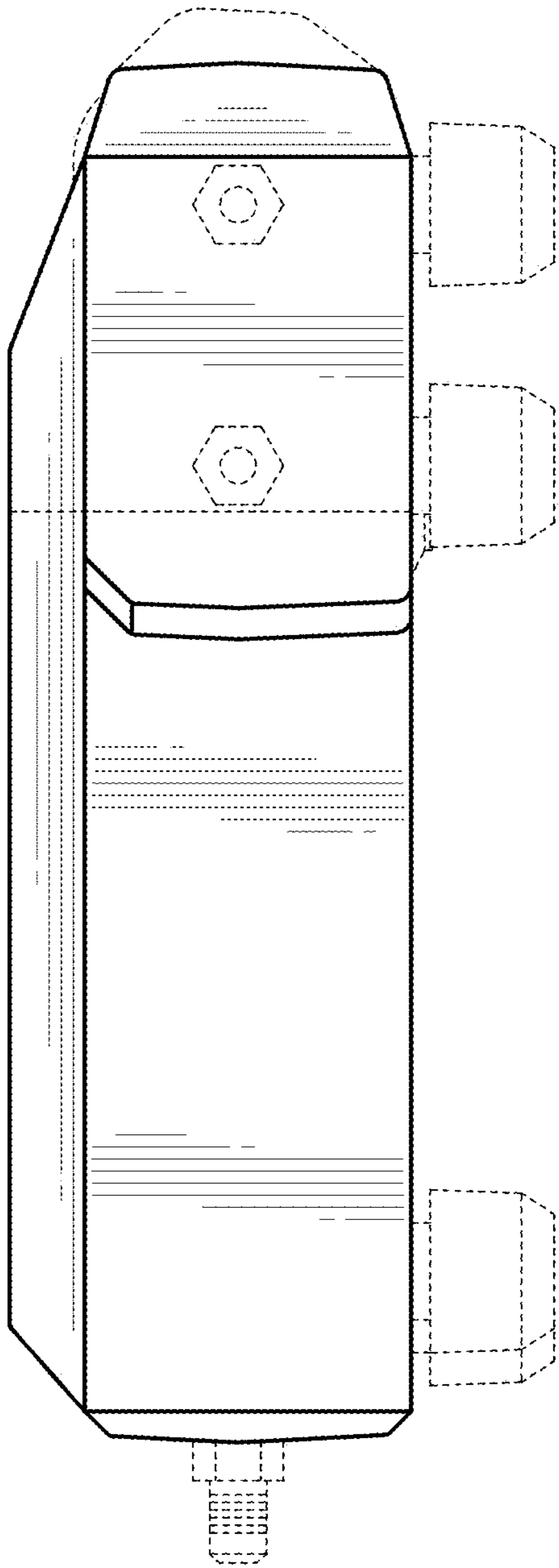
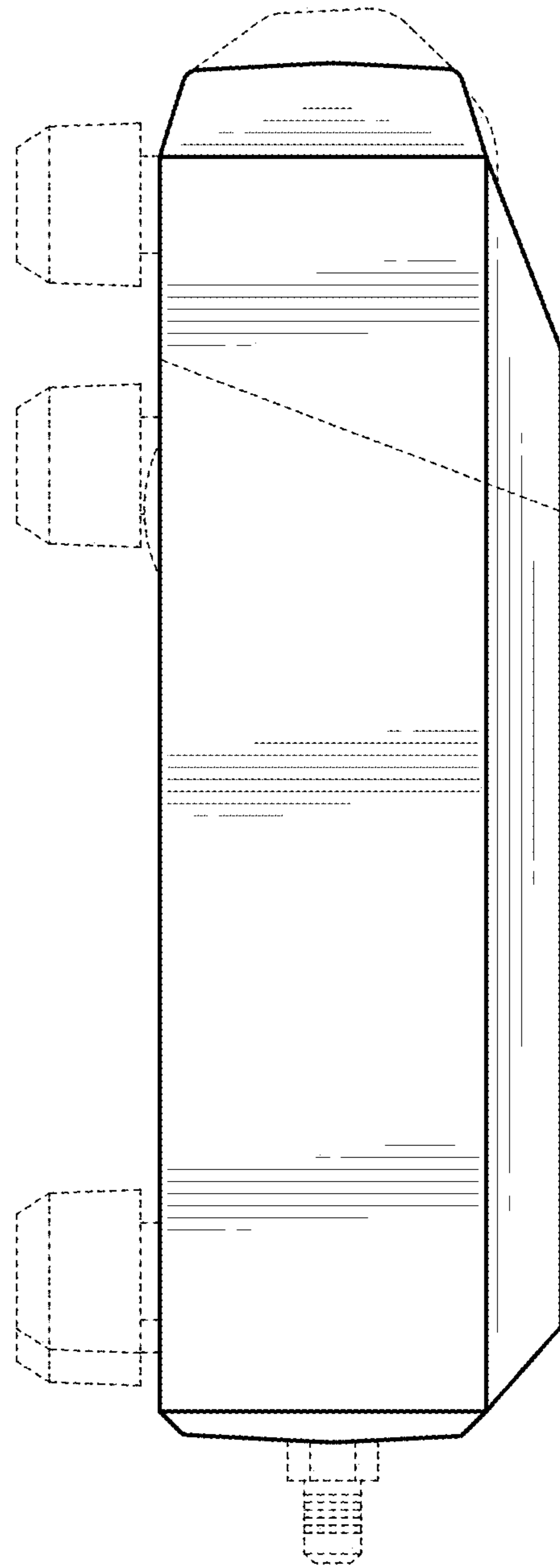


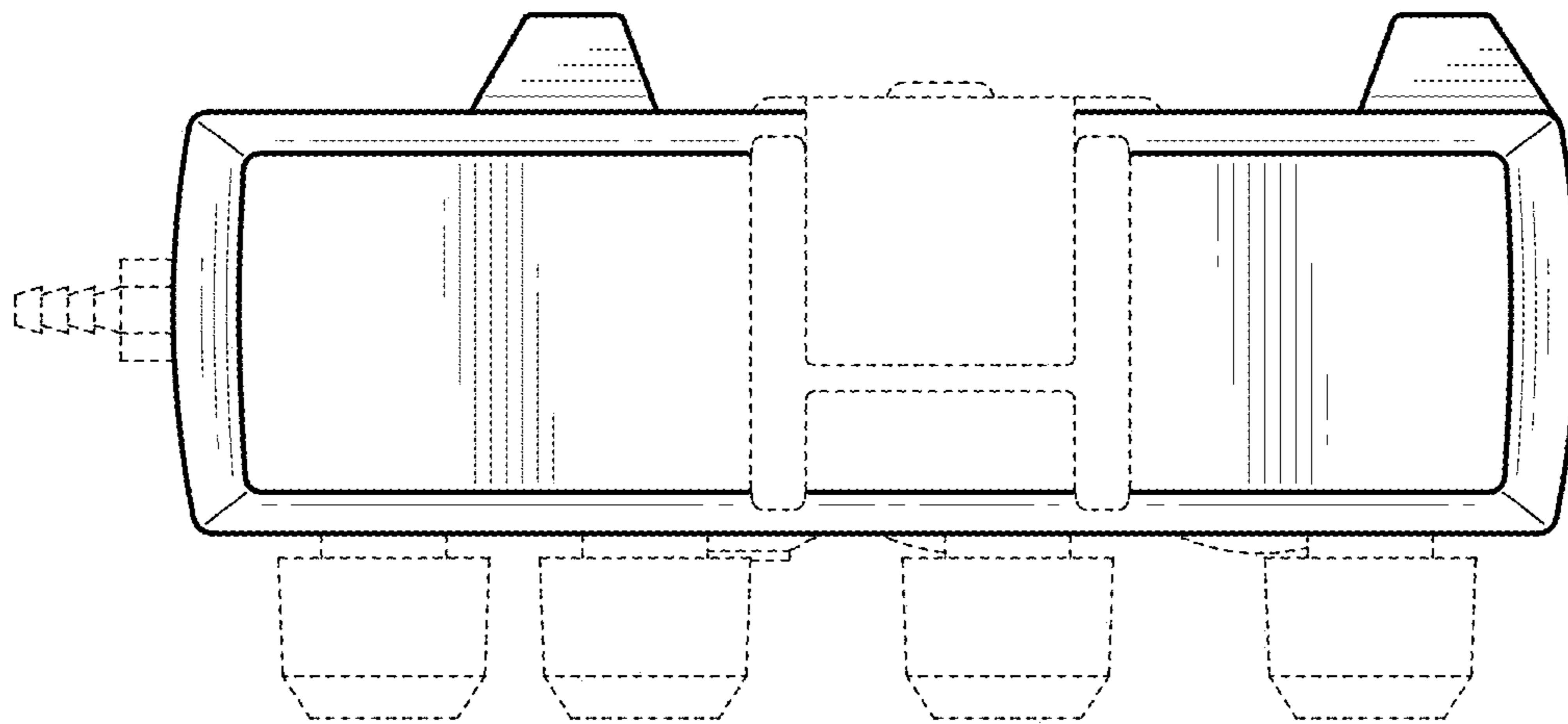
FIG. 3



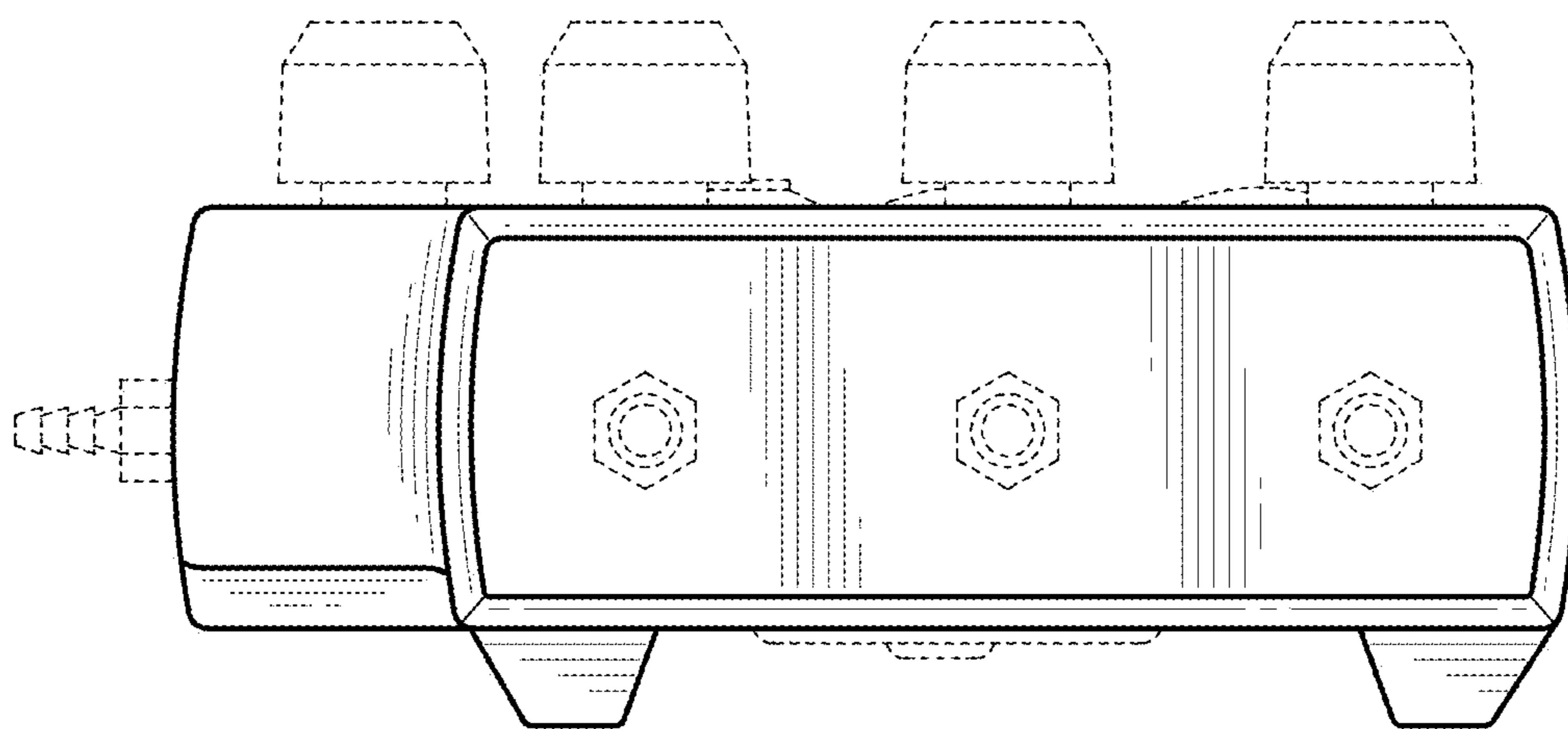
**FIG. 4**



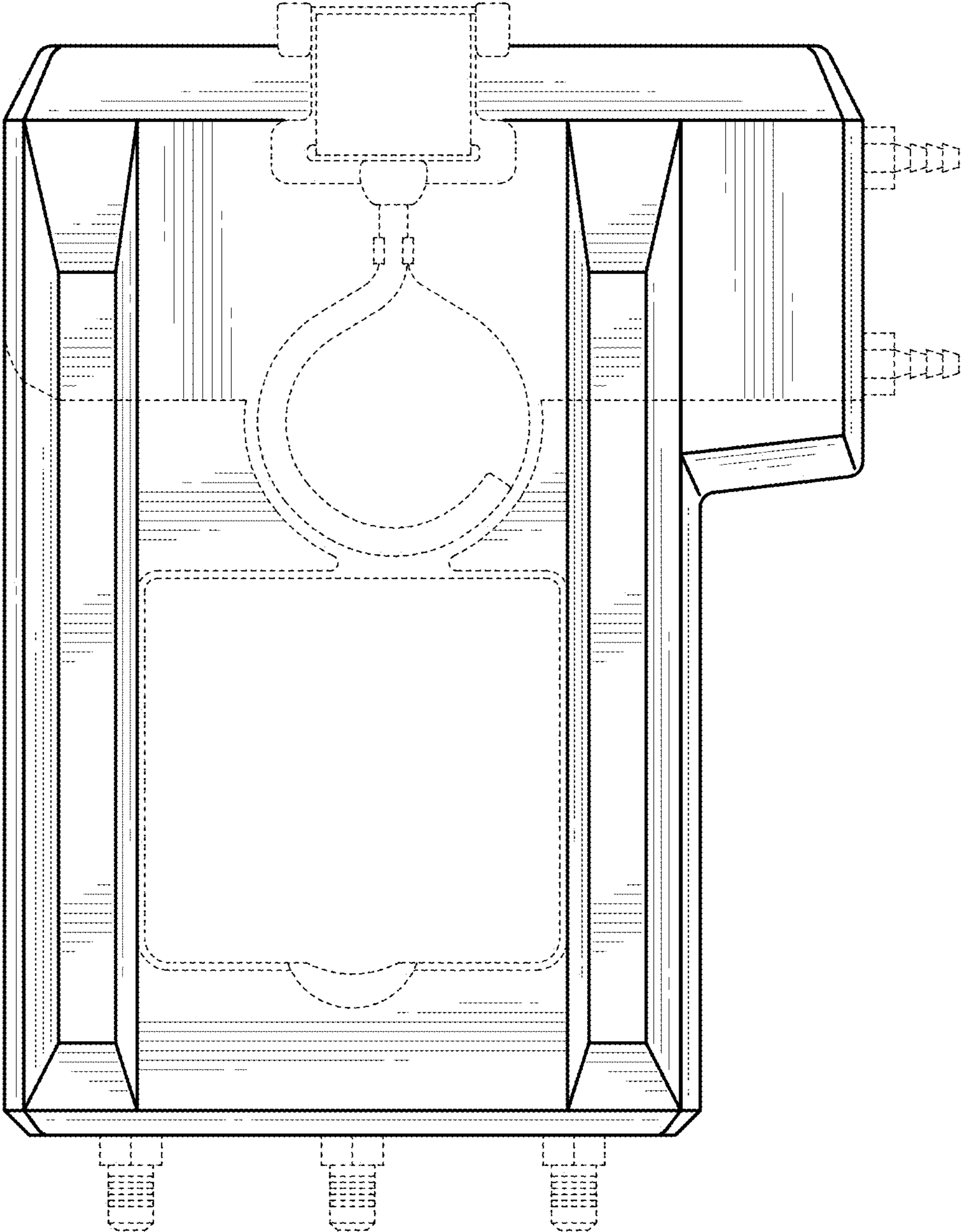
**FIG. 5**



**FIG. 6**

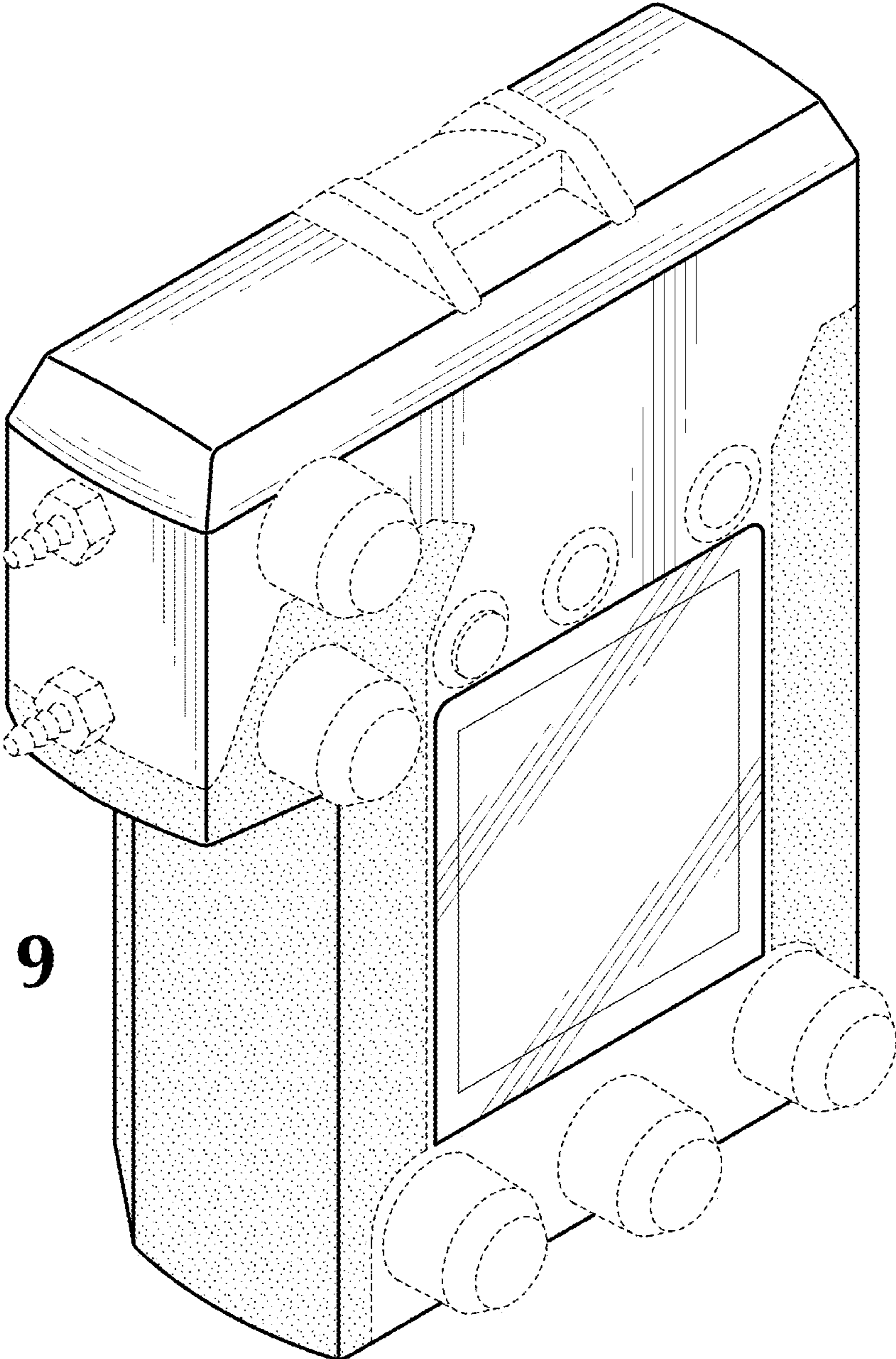


**FIG. 7**

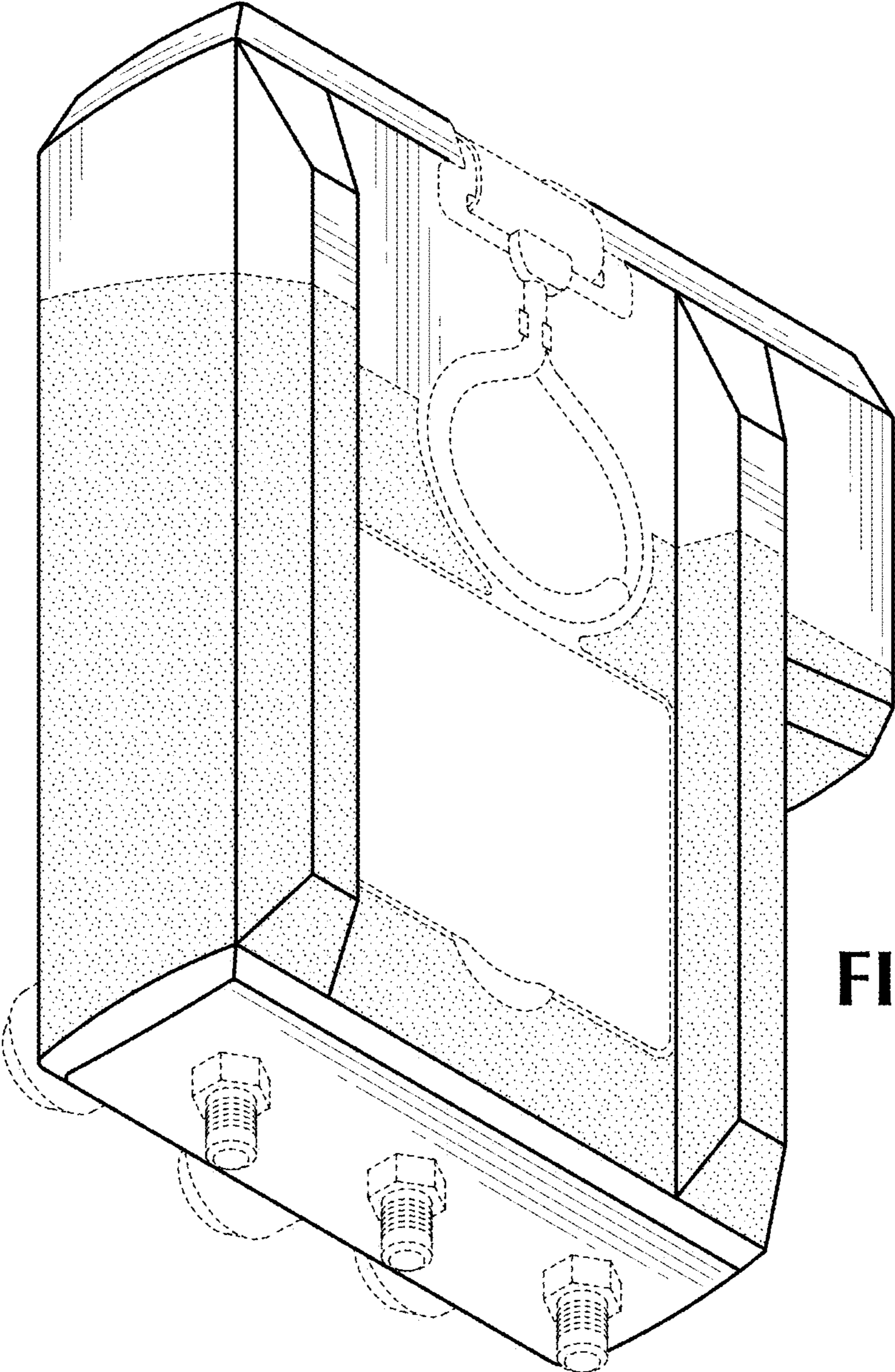


**FIG. 8**

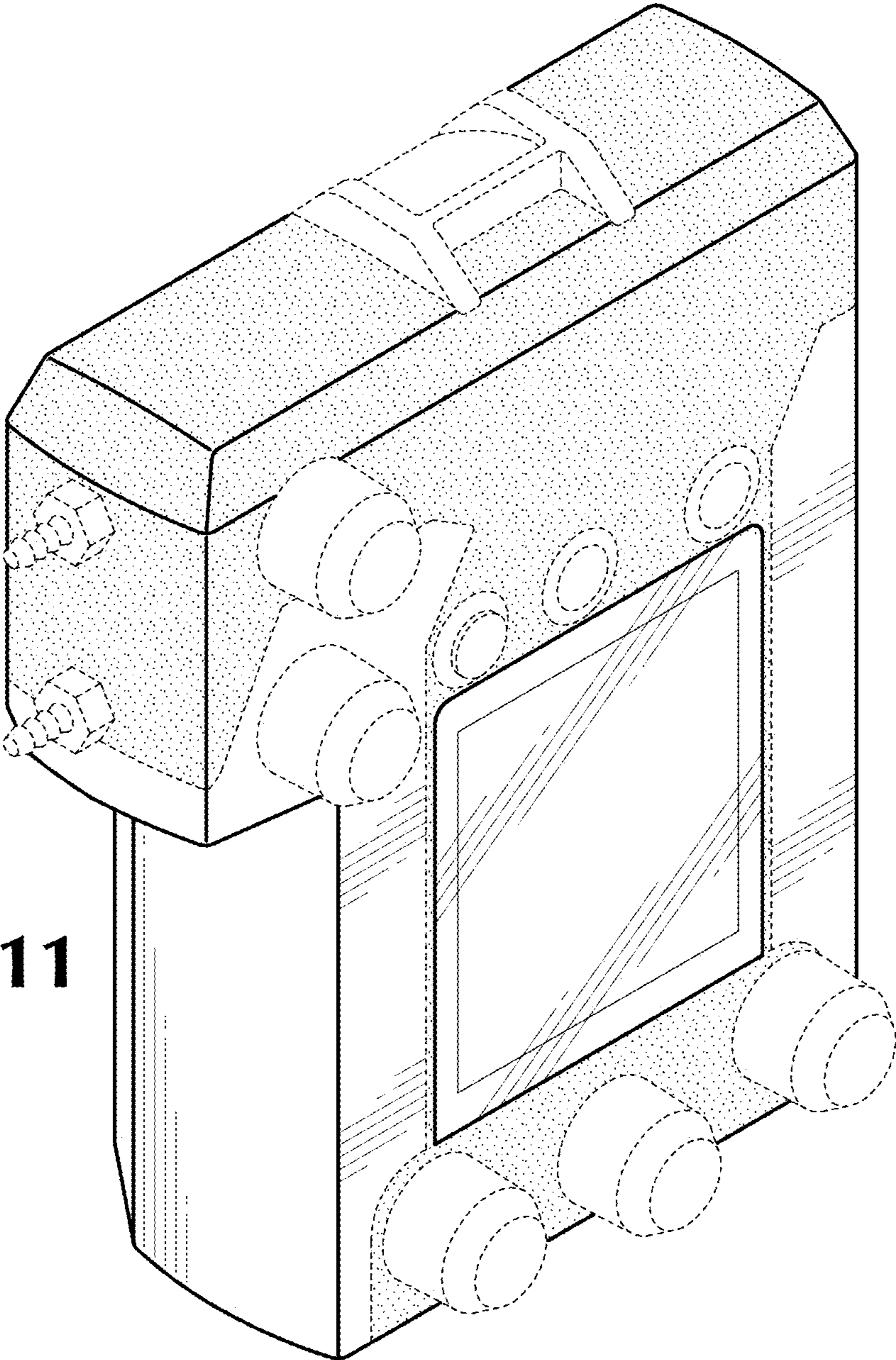




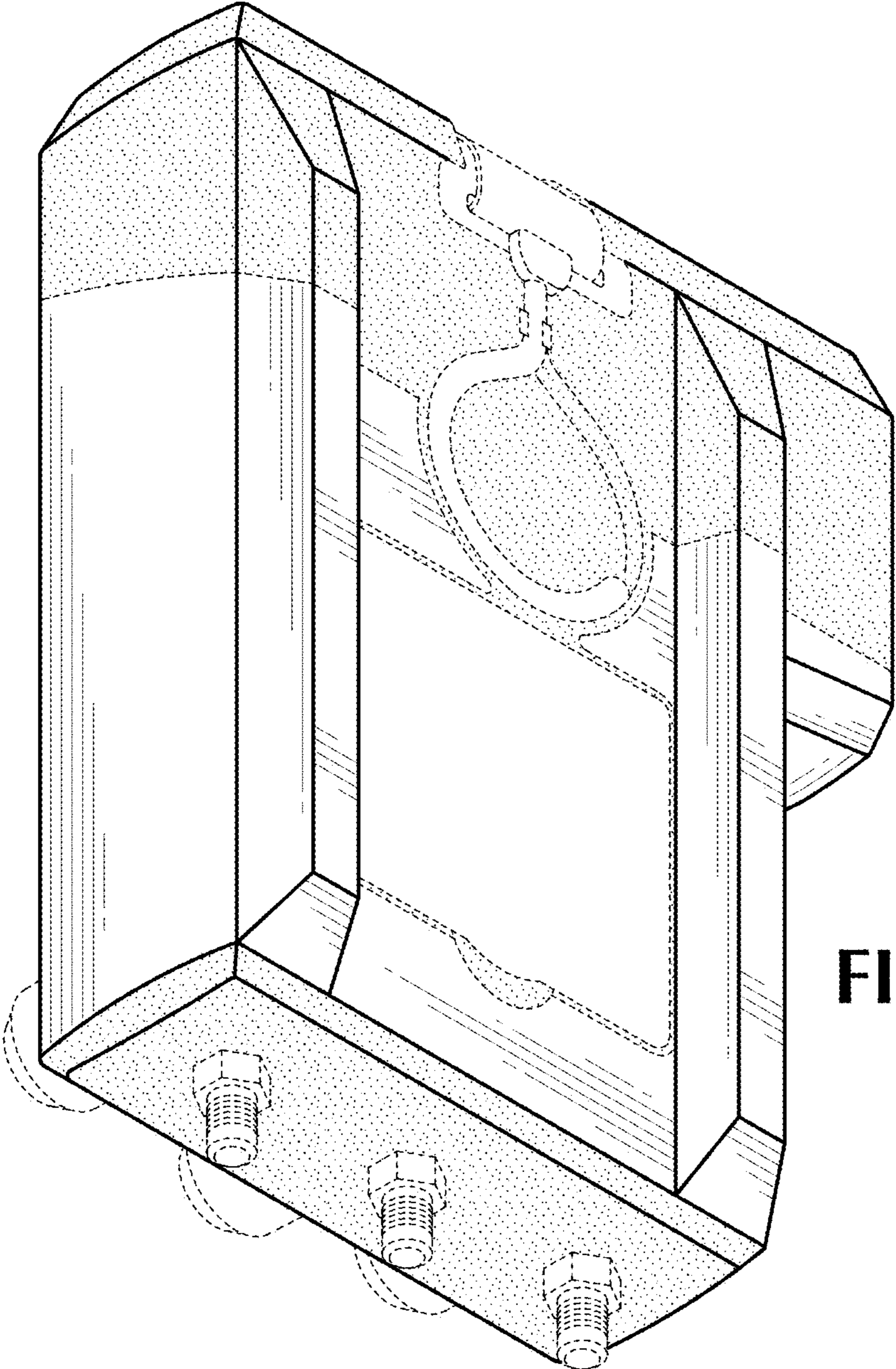
**FIG. 9**



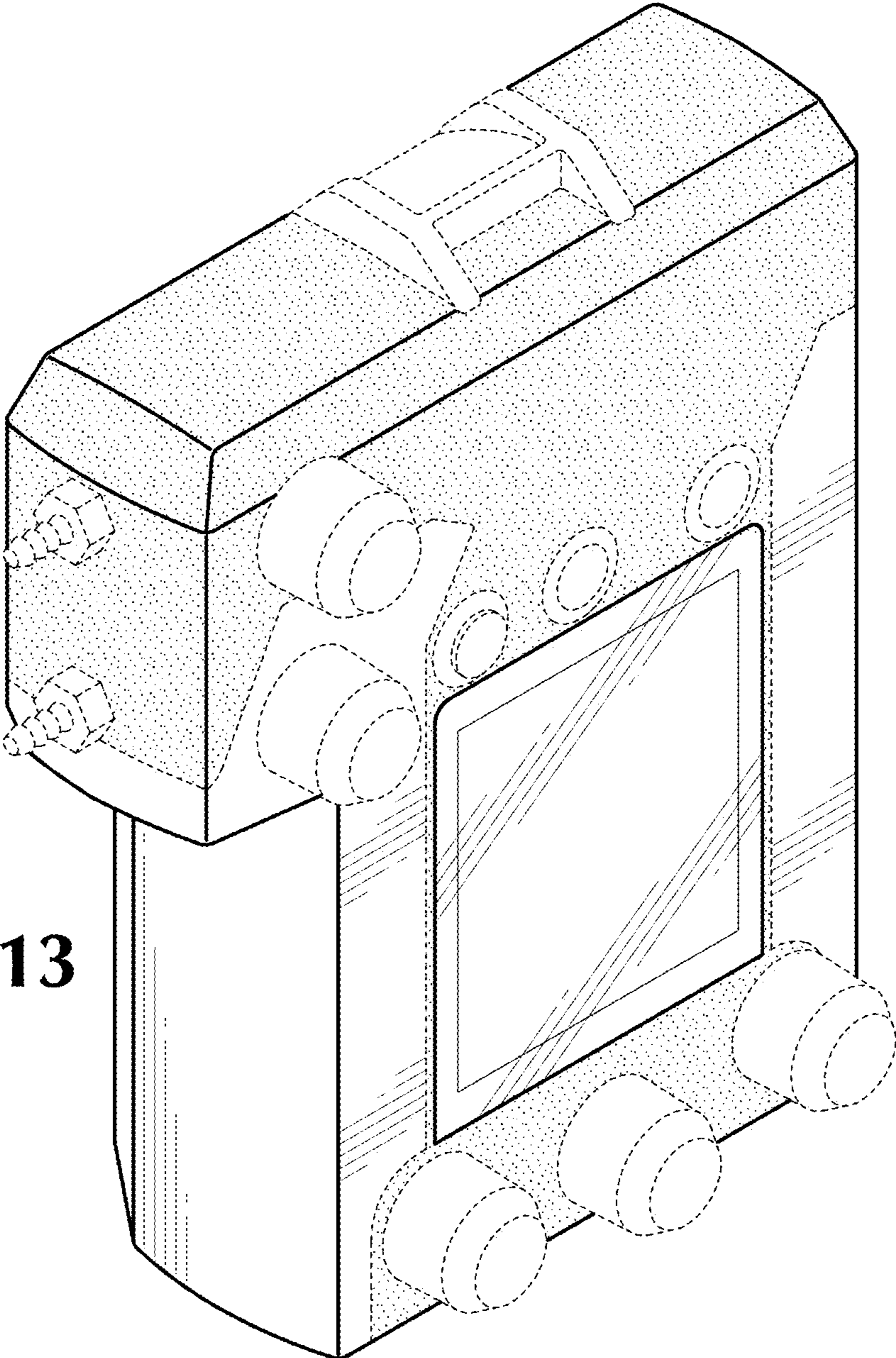
**FIG. 10**



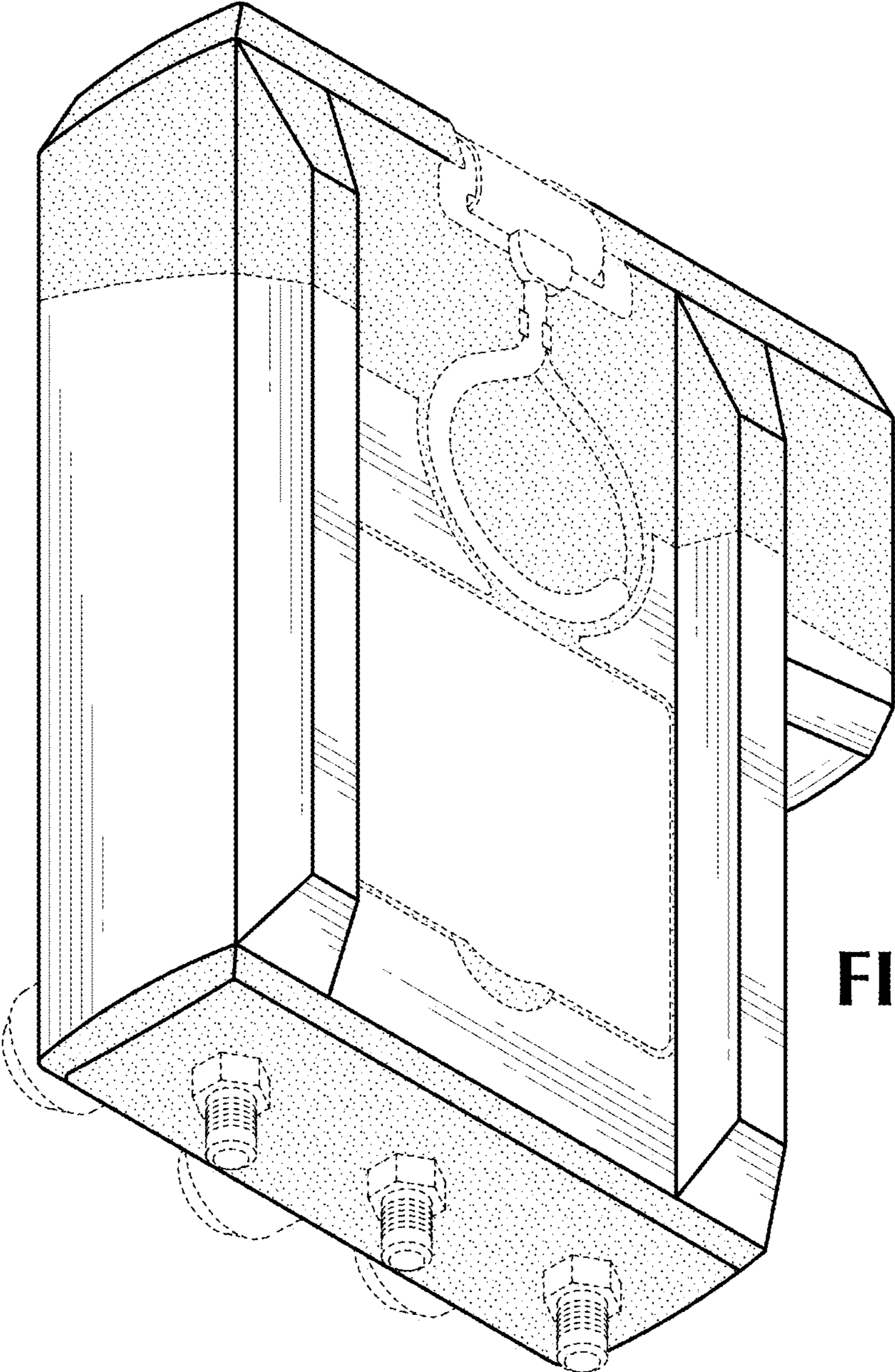
**FIG. 11**



**FIG. 12**



**FIG. 13**



**FIG. 14**