



US00D906845S

(12) **United States Design Patent**
Larsen et al.

(10) **Patent No.:** **US D906,845 S**

(45) **Date of Patent:** **** Jan. 5, 2021**

(54) **LIGHT SENSOR**

(71) Applicant: **MicaSense, Inc.**, Seattle, WA (US)

(72) Inventors: **Steven Matthew Larsen**, Seattle, WA (US); **Felix Darvas**, Seattle, WA (US); **David Swartzendruber, Jr.**, Seattle, WA (US); **Justin Bates McAllister**, Seattle, WA (US)

(73) Assignee: **MicaSense, Inc.**, Seattle, WA (US)

(**) Term: **15 Years**

(21) Appl. No.: **29/691,513**

(22) Filed: **May 16, 2019**

(51) **LOC (13) Cl.** **10-07**

(52) **U.S. Cl.**
USPC **D10/46**

(58) **Field of Classification Search**
USPC D10/46, 75–80, 103, 104.1,
D10/106.1–106.95; D14/356, 357, 358,
D14/432, 433

CPC G01P 15/093
See application file for complete search history.

(56) **References Cited**

U.S. PATENT DOCUMENTS

D604,725 S * 11/2009 Chen D13/184
D683,634 S * 6/2013 Hayakawa D10/46
D724,971 S * 3/2015 Bailey D10/70
D764,957 S * 8/2016 Bhattacharya D10/104.1
D772,745 S * 11/2016 Henne D10/98
D783,432 S * 4/2017 Lei D10/78
D793,262 S * 8/2017 Geskin Zinovi D10/104.1
D795,874 S * 8/2017 Szeremeta D14/432

D805,938 S * 12/2017 Park D10/104.1
D808,833 S * 1/2018 Abbott D10/81
D820,700 S * 6/2018 Buijsman D10/80
D829,120 S * 9/2018 Mitchell D10/104.1
D829,213 S * 9/2018 Szeremeta D14/432
D842,724 S * 3/2019 Vandebussche D10/70
D842,736 S * 3/2019 Laurino D10/96
D850,308 S * 6/2019 Yun D10/78
D850,627 S * 6/2019 Purani D24/186
D853,262 S * 7/2019 Geskin Zinovi D10/104.1
D854,433 S * 7/2019 Vandebussche D10/70
D856,831 S * 8/2019 Dewey D10/78
D861,693 S * 10/2019 Ranade D14/432

* cited by examiner

Primary Examiner — George D. Kirschbaum

Assistant Examiner — Joseph J Kukella

(74) *Attorney, Agent, or Firm* — Seed IP Law Group LLP

(57) **CLAIM**

The ornamental design for a light sensor, as shown and described.

DESCRIPTION

FIG. 1 is a front perspective view of a light sensor showing our new design.

FIG. 2 is a rear perspective view thereof.

FIG. 3 is a top plan view thereof.

FIG. 4 is a bottom plan view thereof.

FIG. 5 is a front elevational view thereof.

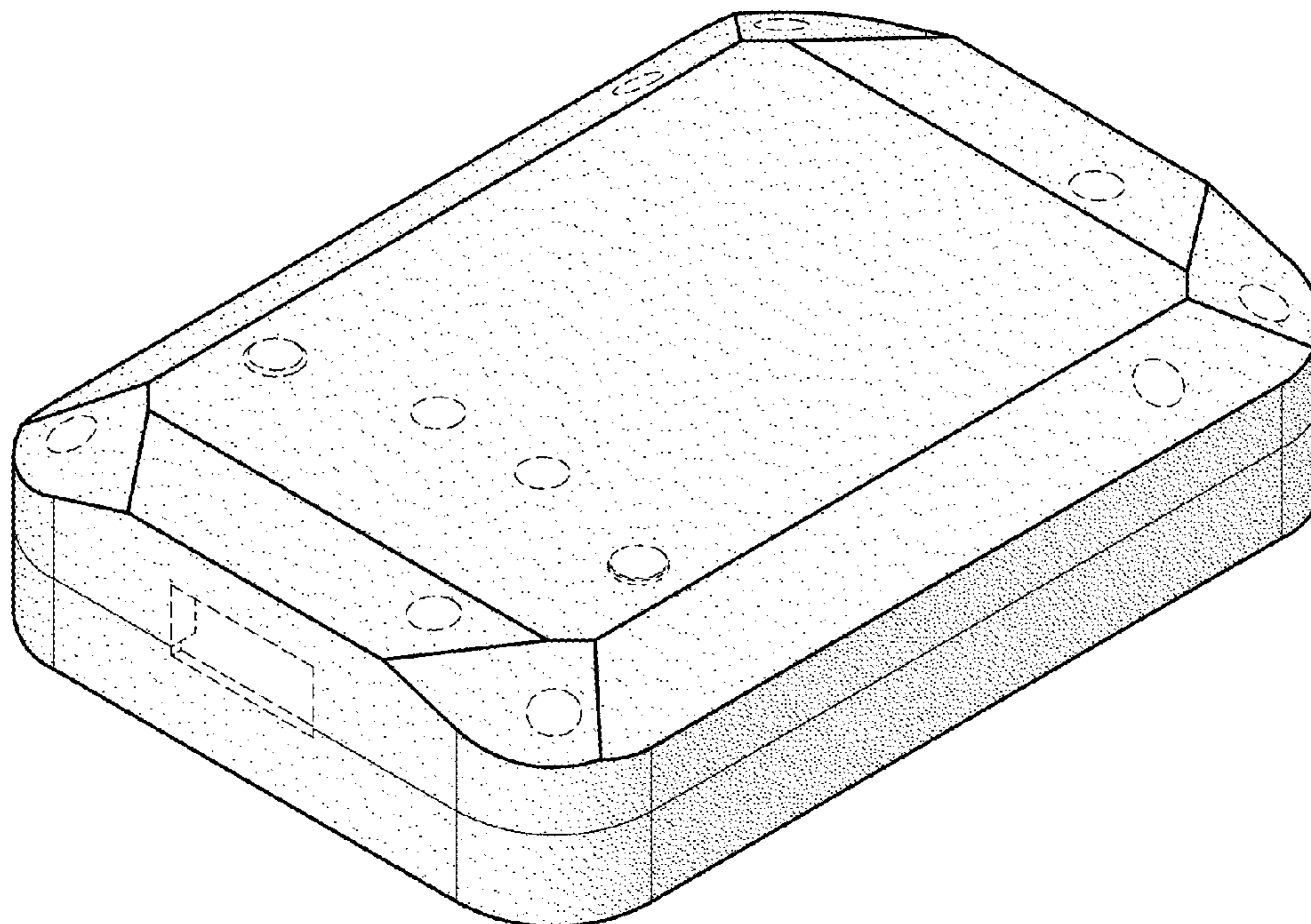
FIG. 6 is a rear elevational view thereof.

FIG. 7 is a left side elevational view thereof; and,

FIG. 8 is a right side elevational view thereof.

In the drawings, the broken lines depict portions of the light sensor that form no part of the claimed design.

1 Claim, 4 Drawing Sheets



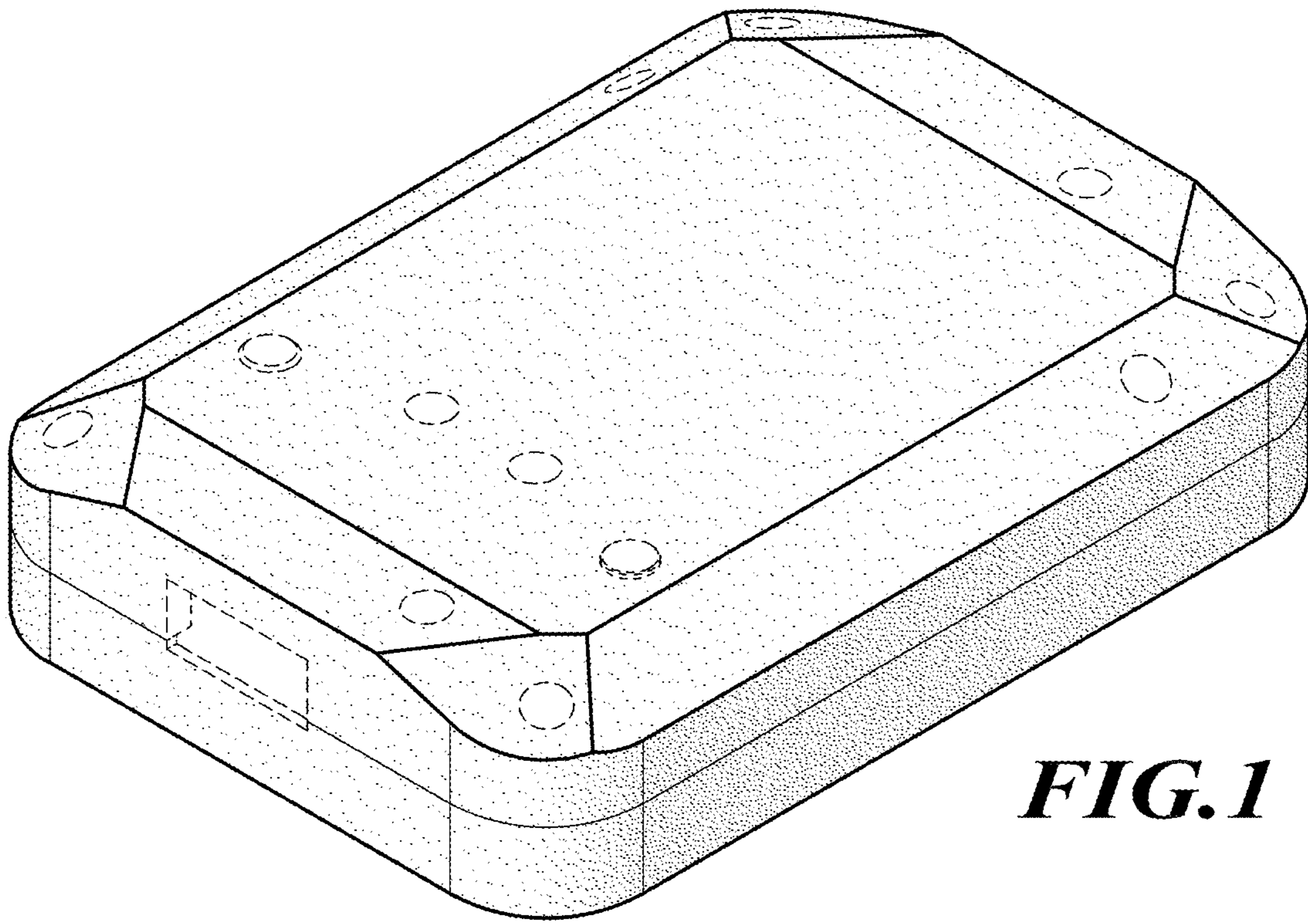


FIG. 1

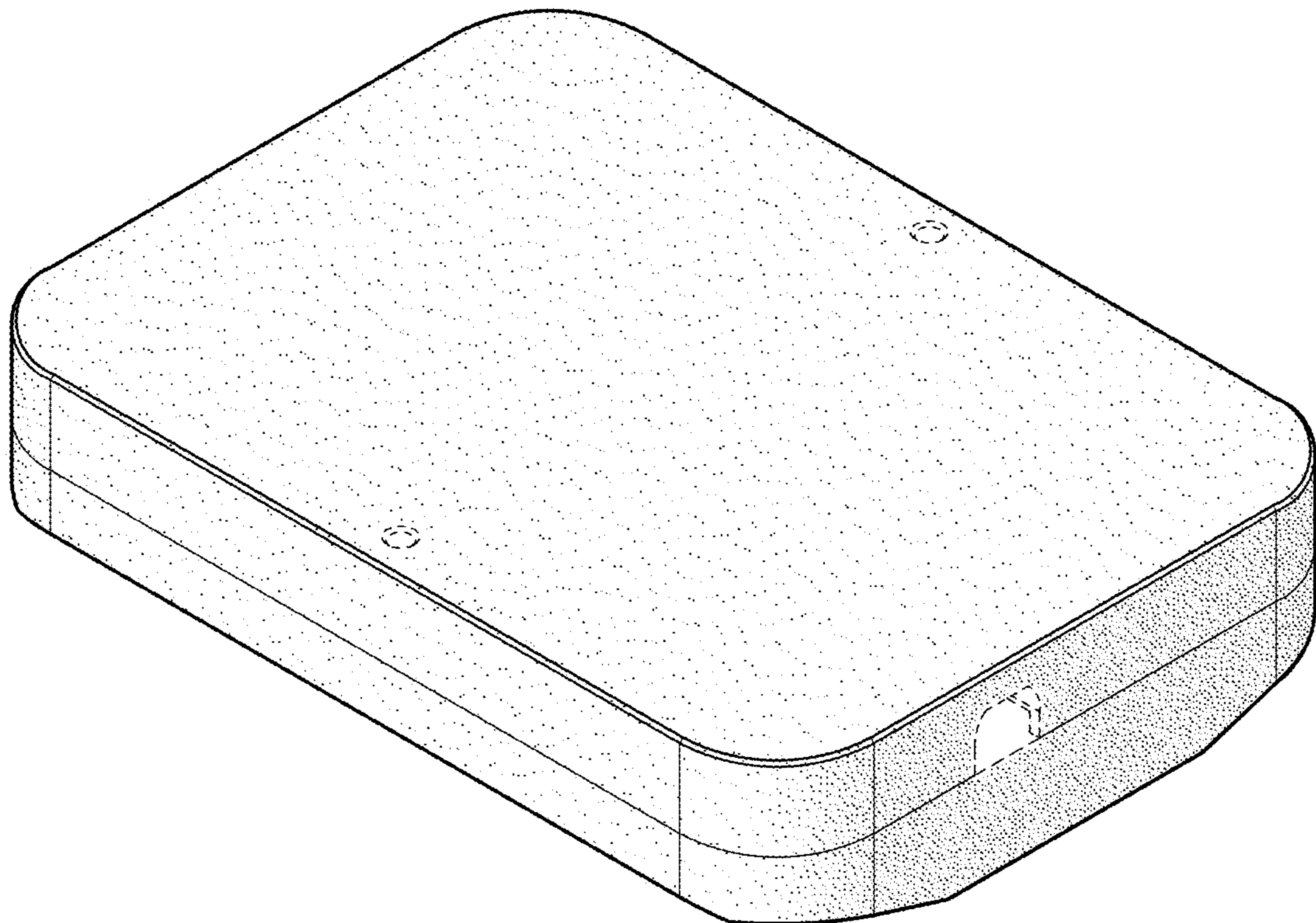


FIG. 2

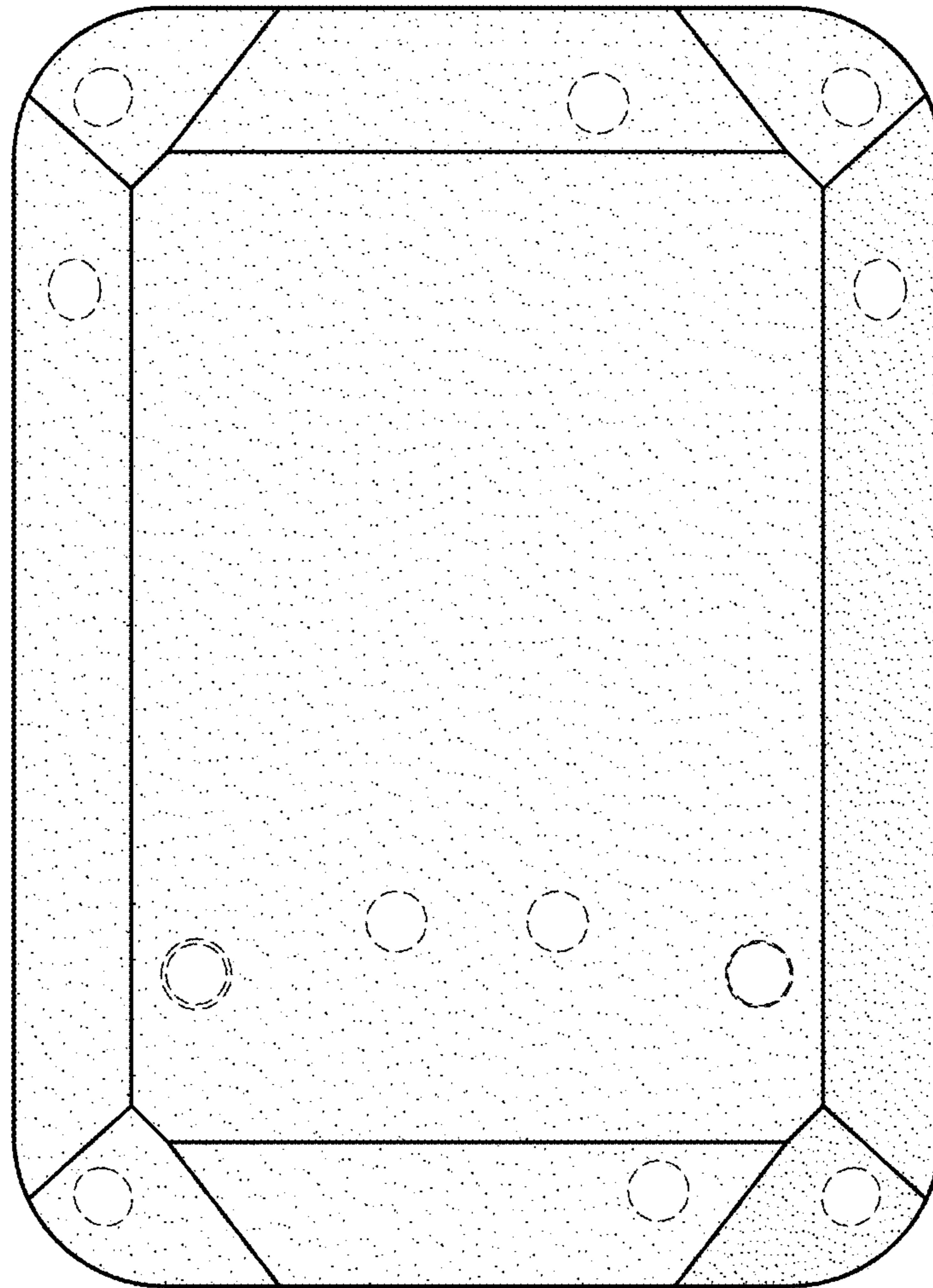


FIG. 3

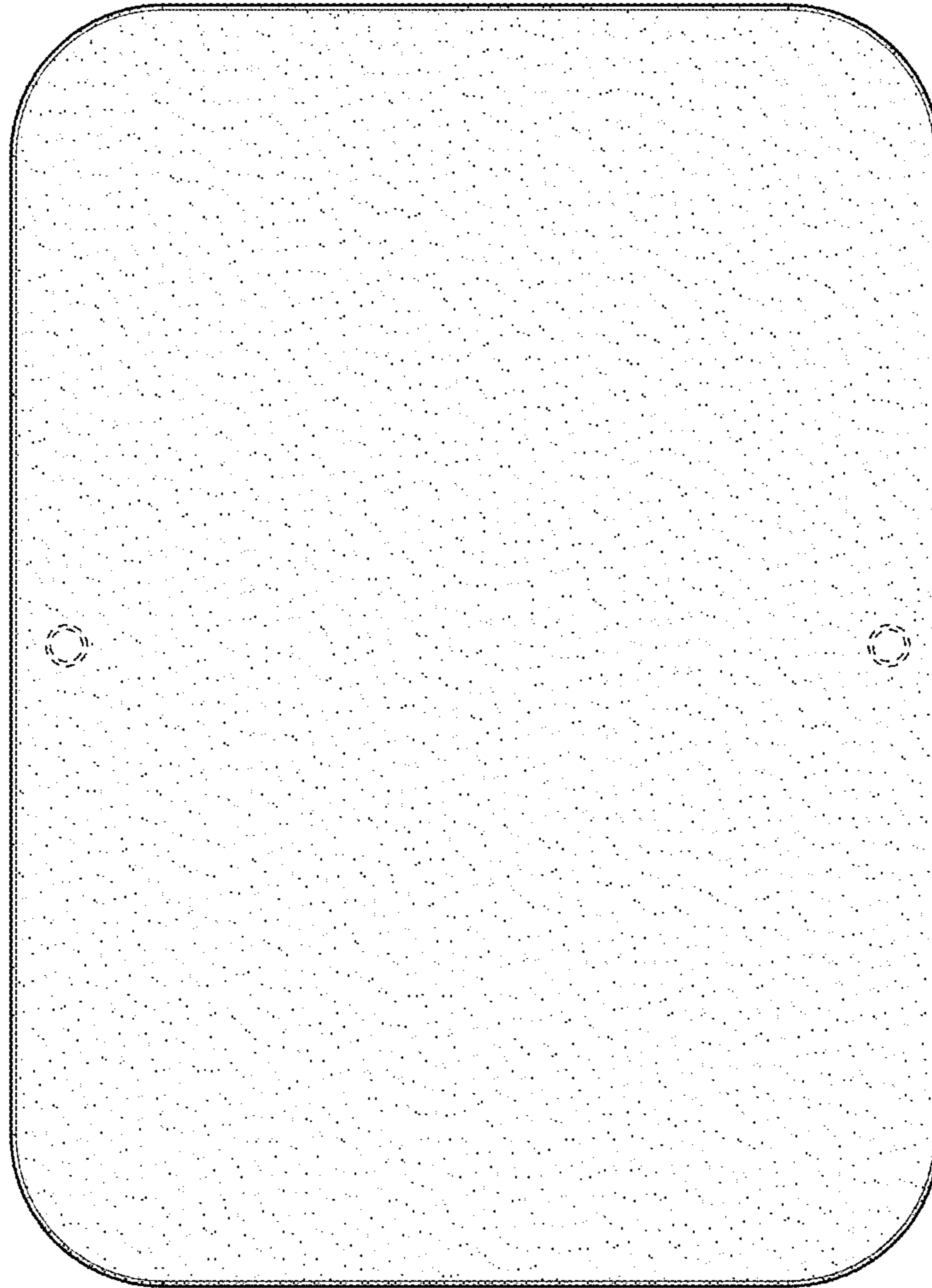


FIG. 4

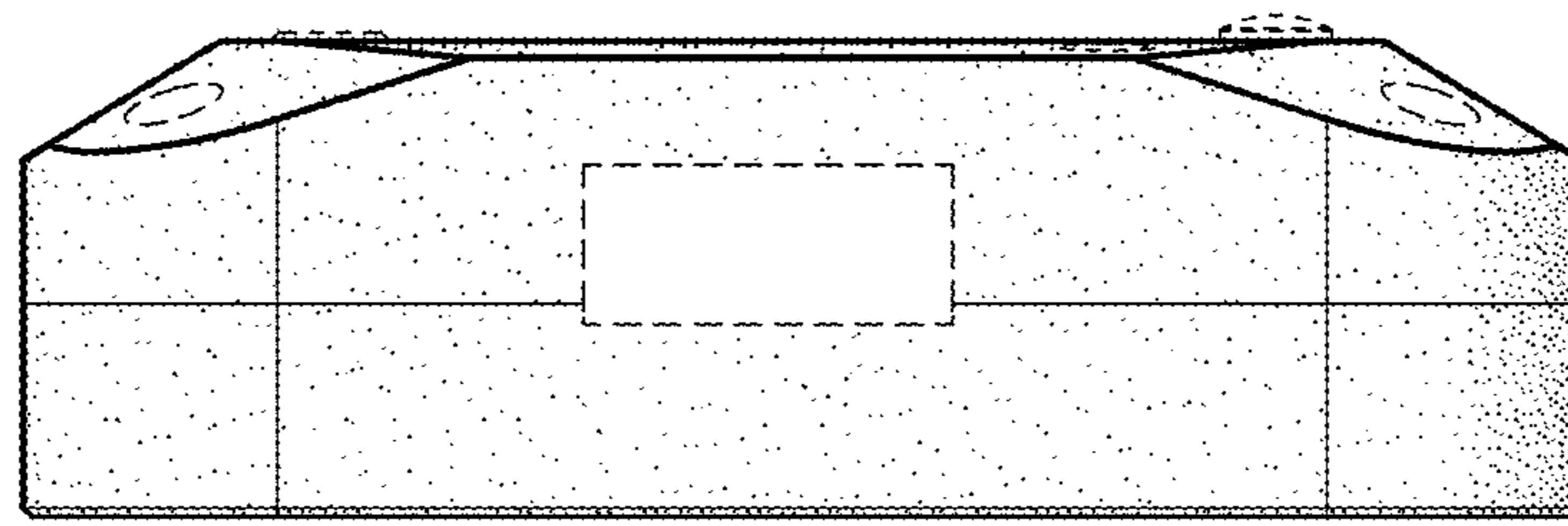


FIG. 5

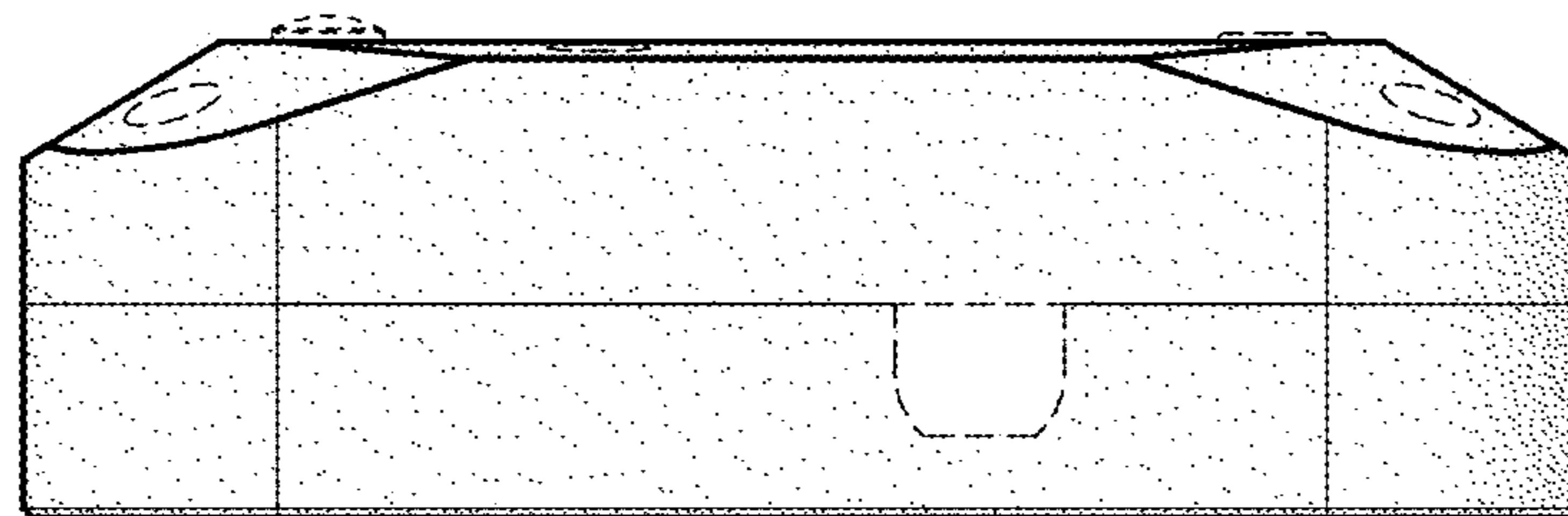


FIG. 6

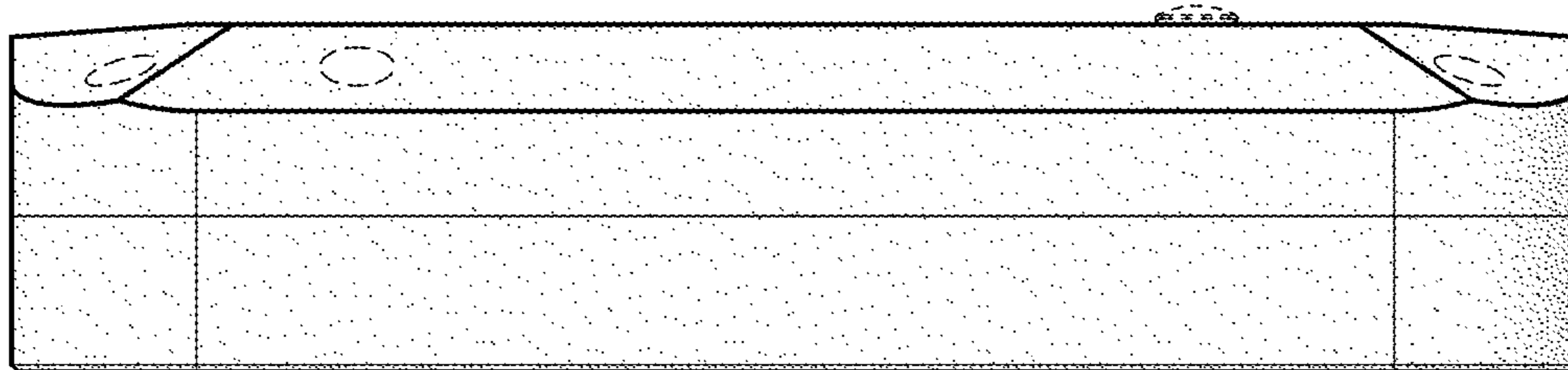


FIG. 7

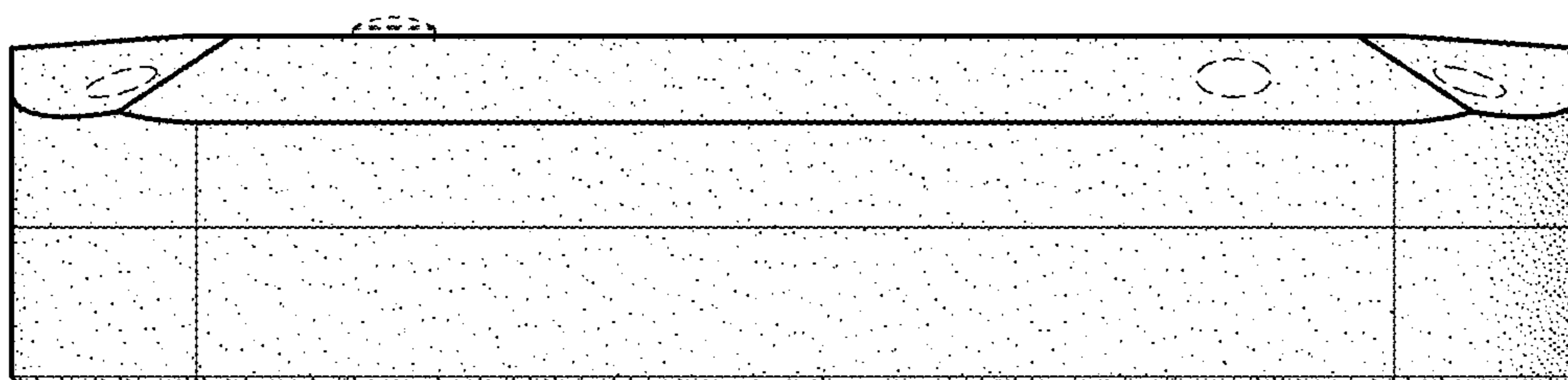


FIG. 8