



US00D906844S

(12) **United States Design Patent**
Abeillon

(10) **Patent No.:** **US D906,844 S**

(45) **Date of Patent:** **** Jan. 5, 2021**

(54) **WATCH**

(71) Applicant: **Cartier International AG**, Steinhausen (CH)

(72) Inventor: **Raphael Abeillon**, Paris (FR)

(73) Assignee: **Cartier International AG**, Steinhausen (CH)

(**) Term: **15 Years**

(21) Appl. No.: **29/697,821**

(22) Filed: **Jul. 11, 2019**

(30) **Foreign Application Priority Data**

Jan. 11, 2019 (WO) 970009010

(51) **LOC (13) Cl.** **10-02**

(52) **U.S. Cl.**
USPC **D10/39**

(58) **Field of Classification Search**

USPC D10/1, 30-39, 122-126
CPC G04B 37/00; G04B 37/0008; G04B 37/04;
G04B 37/06; G04B 37/12; G04B 37/18;
G04B 39/00; G04B 39/002; G04B
39/004; G04B 39/008; G04B 39/02;
G04B 19/00; G04B 19/02; G04B 19/04;
G04B 19/06; G04B 19/08; G04B 19/20

See application file for complete search history.

(56) **References Cited**

U.S. PATENT DOCUMENTS

2,989,838 A * 6/1961 Guggi G04B 37/0008
368/292
D250,693 S * 1/1979 Perrin D10/39
D411,806 S * 7/1999 Rousseau D10/32
D432,438 S * 10/2000 Lassigne D10/32

D506,935 S * 7/2005 Dreyfuss D10/32
D514,457 S * 2/2006 Diltoer D10/39
D546,203 S * 7/2007 Campos D10/32
D600,144 S * 9/2009 Diltoer D10/38
D620,381 S * 7/2010 Rabassa D10/126
D650,708 S * 12/2011 Laucella D10/39
D760,717 S * 7/2016 Solomon D14/344
D823,153 S * 7/2018 Rabassa D10/122

FOREIGN PATENT DOCUMENTS

EM 002607555-0001 * 12/2014

* cited by examiner

Primary Examiner — Sheryl Lane

Assistant Examiner — Samantha N Wood

(74) *Attorney, Agent, or Firm* — Taft Stettinius & Hollister LLP

(57) **CLAIM**

The ornamental design for a watch, as shown and described.

DESCRIPTION

FIG. 1 is a front elevational view of a watch showing my new design;

FIG. 2 is a back elevational view thereof;

FIG. 3 is a top plan view thereof;

FIG. 4 is a bottom plan view thereof;

FIG. 5 is a right side elevational view thereof;

FIG. 6 is a left side elevational thereof;

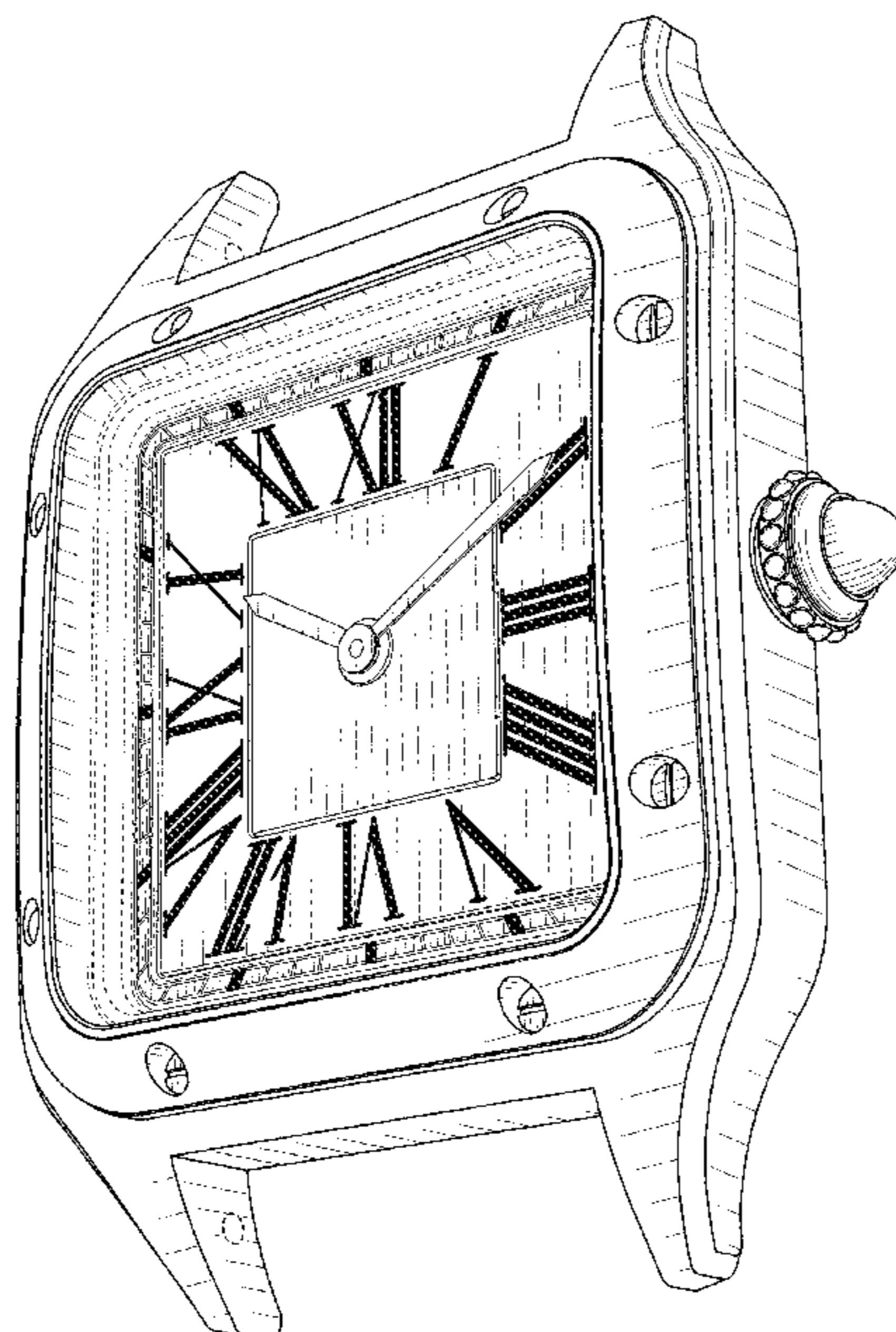
FIG. 7 is a front, bottom, right side perspective view thereof; and,

FIG. 8 is a back, bottom, left side perspective view thereof.

The broken lines in the drawing figures form no part of the claimed design.

The solid black areas in the drawing figures are intended to show the color black.

1 Claim, 6 Drawing Sheets



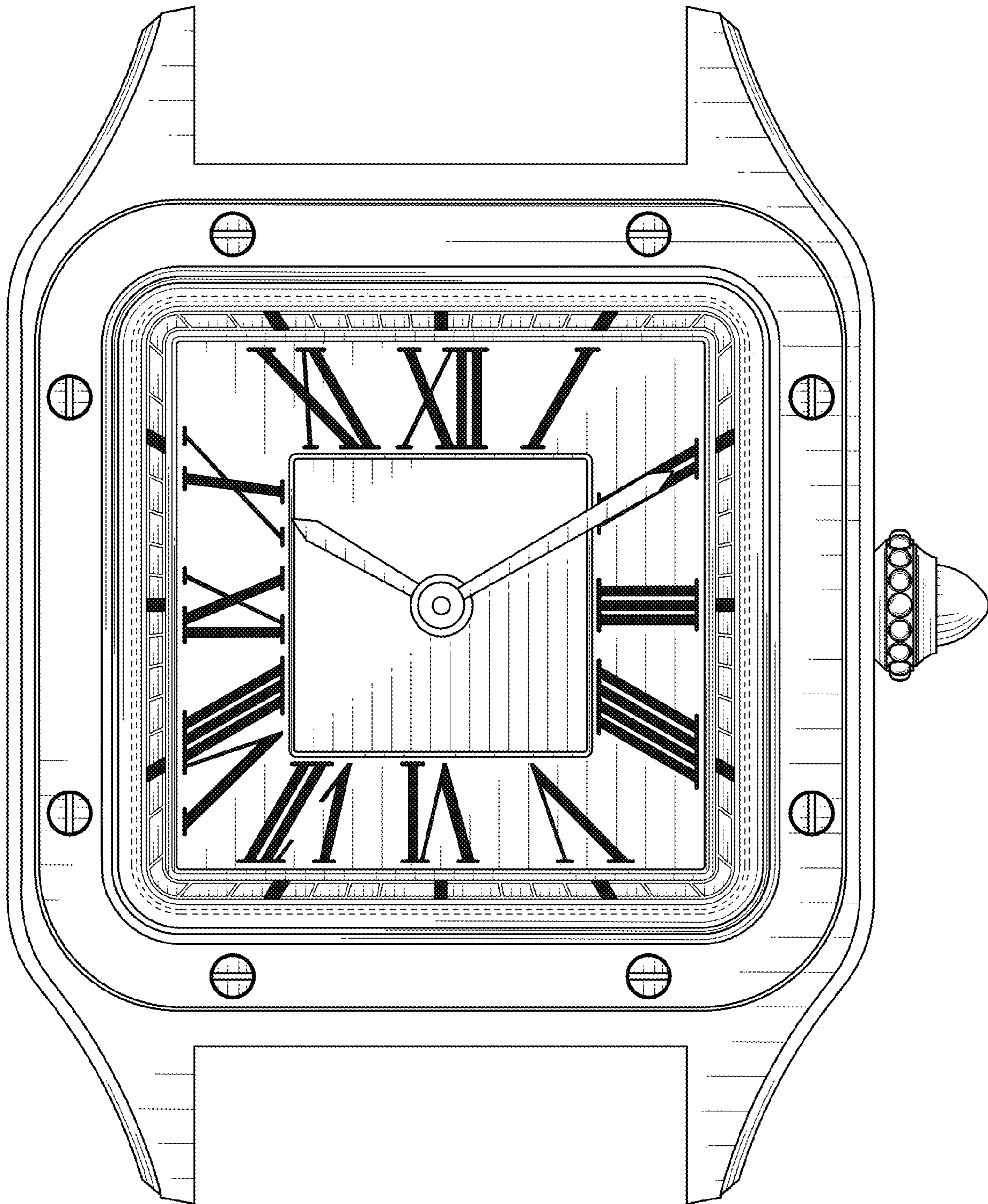


Fig. 1

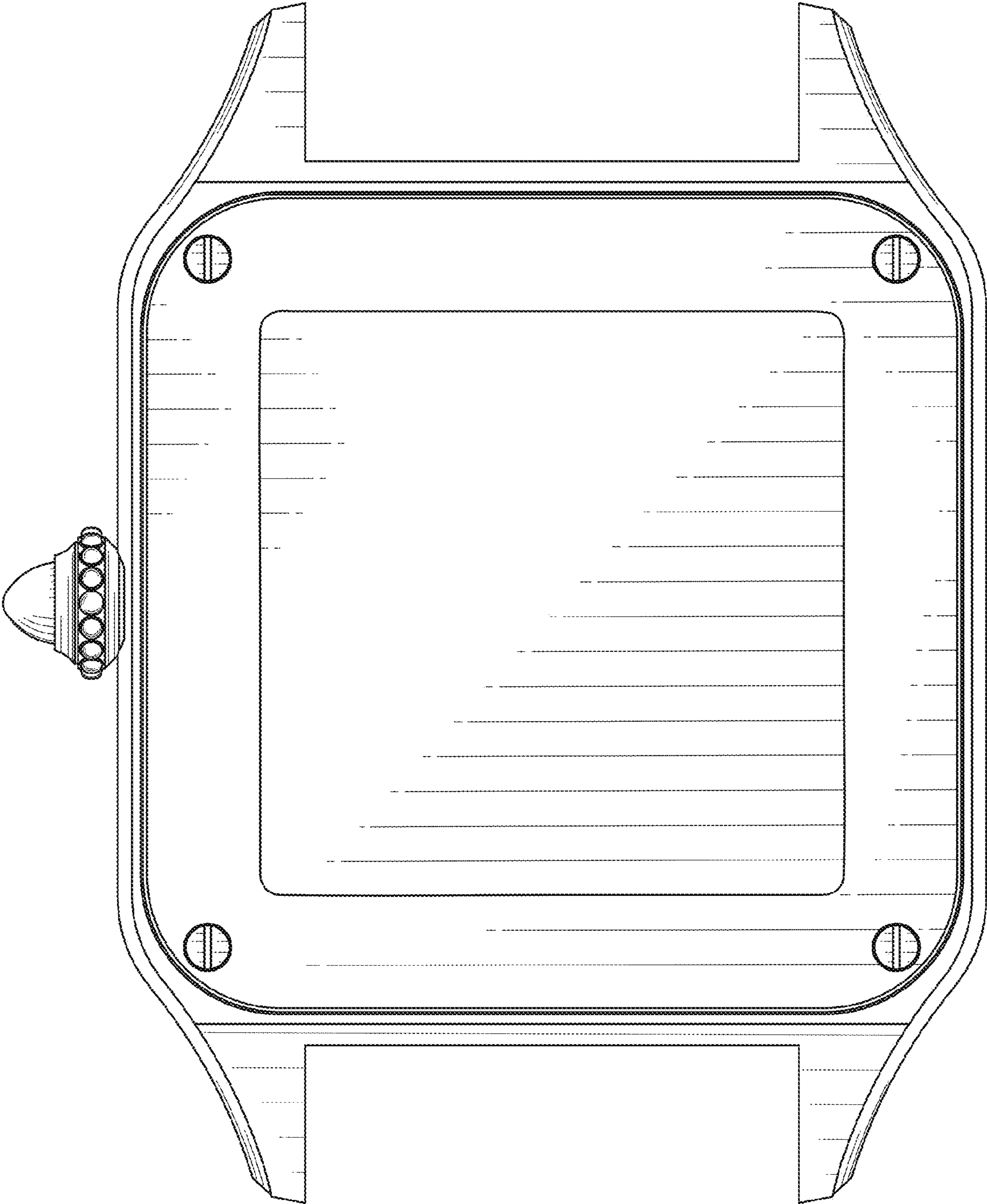


Fig. 2

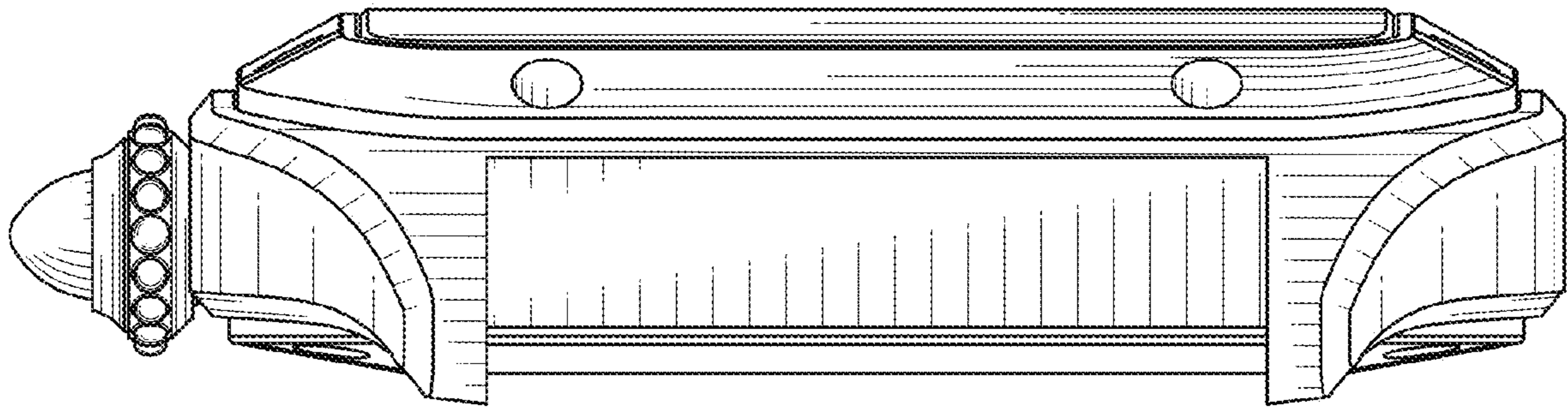


Fig. 3

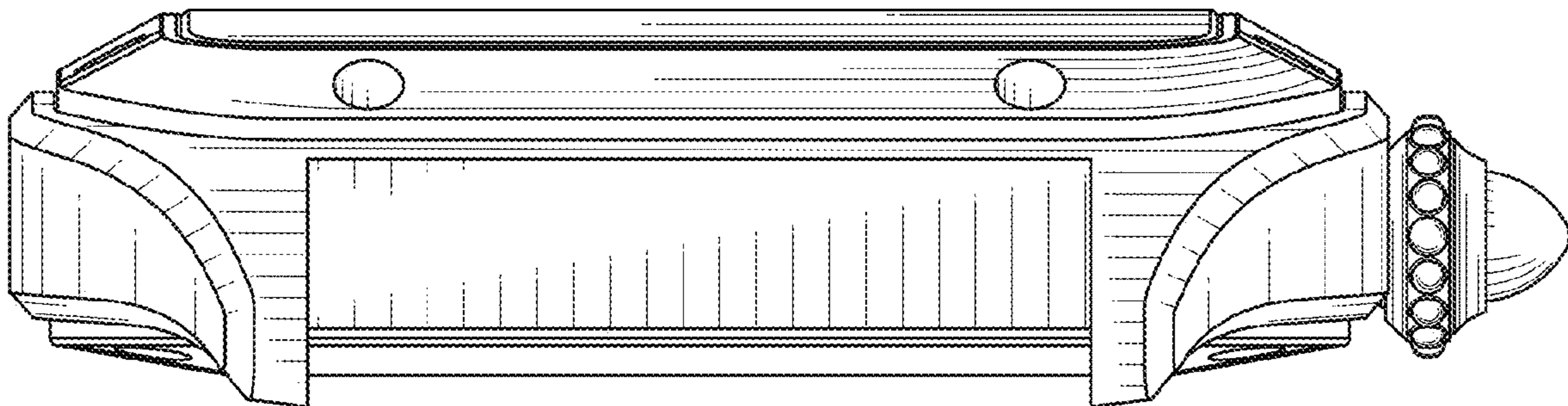


Fig. 4

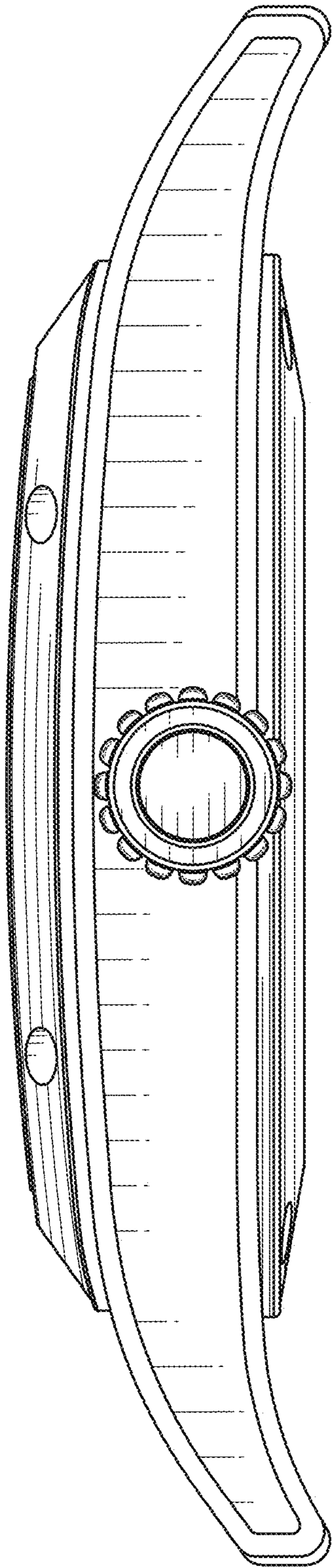


Fig. 5

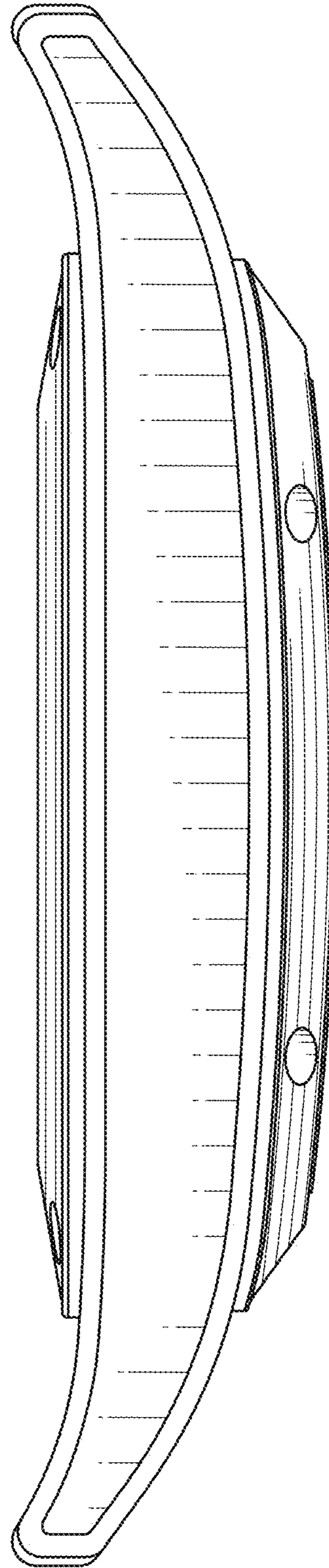


Fig. 6

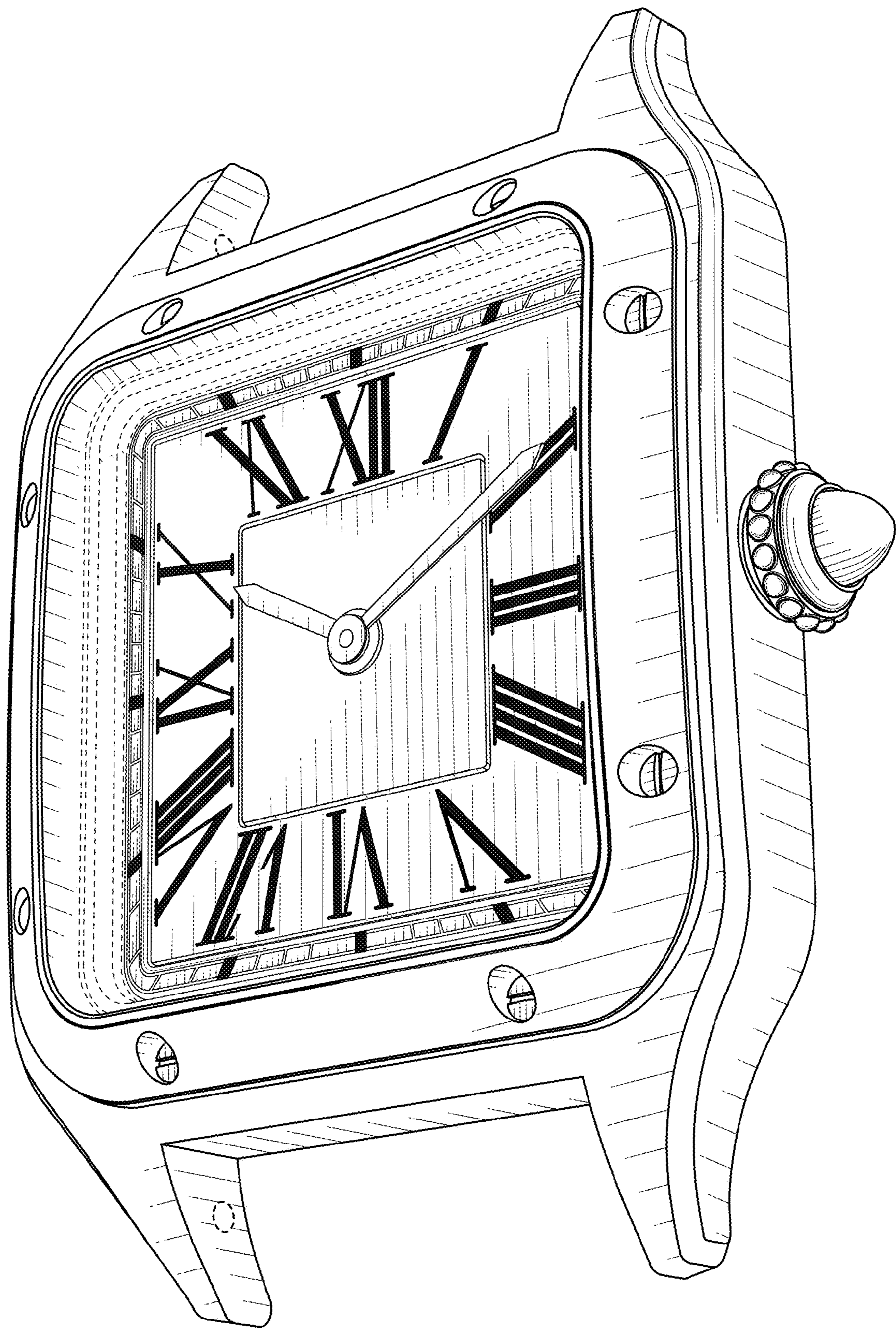


Fig. 7

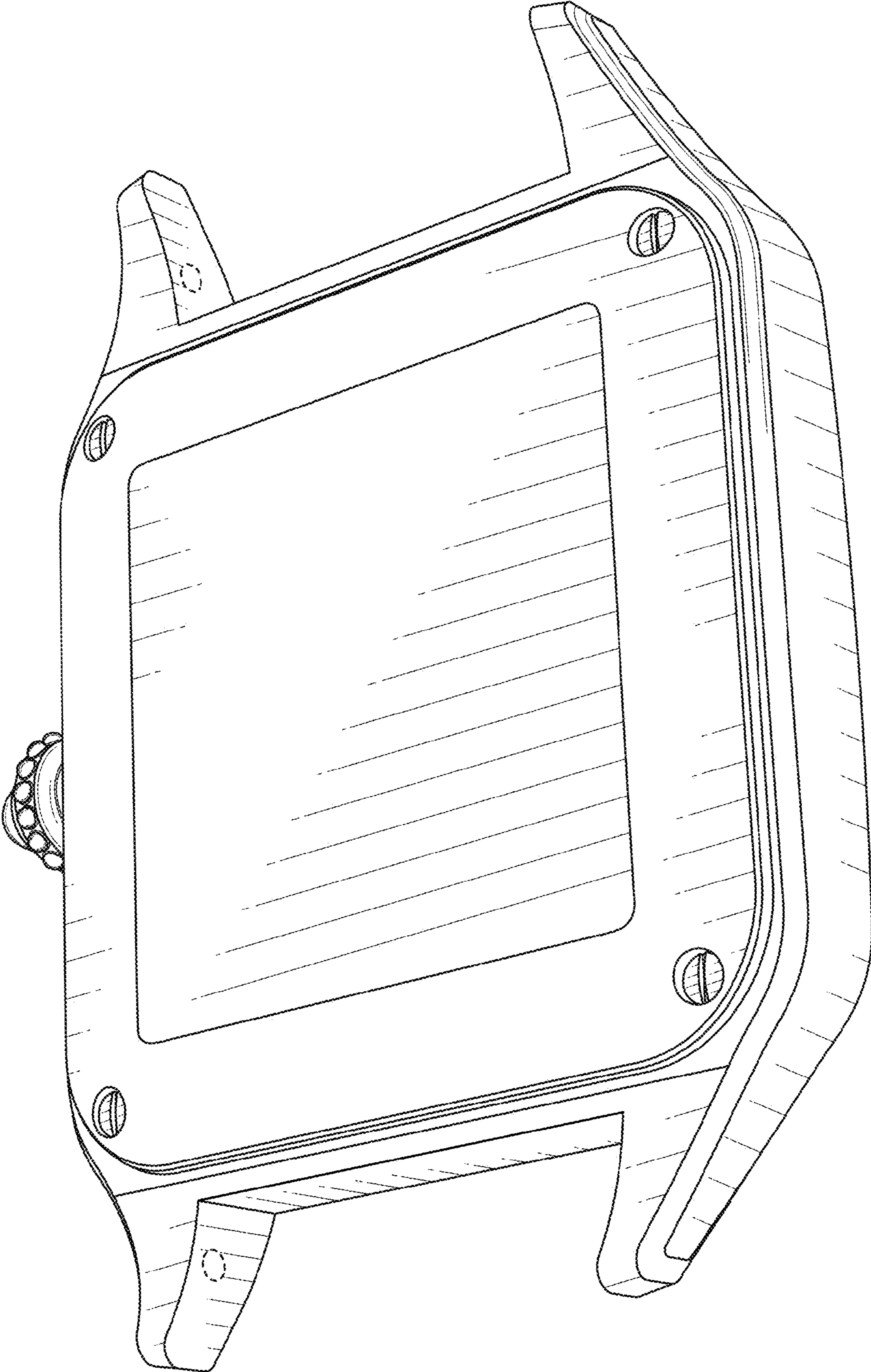


Fig. 8