



US00D906843S

(12) **United States Design Patent** (10) **Patent No.:** **US D906,843 S**  
**de Castellane** (45) **Date of Patent:** **\*\* Jan. 5, 2021**

(54) **WATCH**  
(71) Applicant: **Christian Dior Couture**, Paris (FR)  
(72) Inventor: **Victoire de Castellane**, Paris (FR)  
(\*\*) Term: **15 Years**  
(21) Appl. No.: **29/721,496**  
(22) Filed: **Jan. 21, 2020**

D628,502 S \* 12/2010 Hayek ..... D10/39  
D635,869 S \* 4/2011 Hayek ..... D10/38  
D635,876 S \* 4/2011 Hayek ..... D10/123  
D646,184 S 10/2011 Duport et al.  
D659,580 S \* 5/2012 Veit ..... D11/3  
D665,274 S \* 8/2012 Arabov ..... D10/38  
D675,941 S \* 2/2013 Sasaki ..... D10/32  
D694,129 S \* 11/2013 Mais ..... D10/38  
D696,145 S \* 12/2013 Stegmann ..... D10/38  
D737,694 S 9/2015 Engelbrecht  
D835,522 S 12/2018 Dietrich  
D848,290 S 5/2019 Janzen  
D858,315 S 9/2019 Monachon  
D880,317 S 4/2020 De Castellane  
D880,330 S \* 4/2020 Valzan ..... D10/125

**Related U.S. Application Data**

(62) Division of application No. 35/506,106, filed on Sep. 21, 2018 (U.S. filing date under 35 U.S.C. 384), and having an international filing date of Sep. 21, 2018, now Pat. No. Des. 880,317.  
(51) **LOC (13) Cl.** ..... **10-02**  
(52) **U.S. Cl.**  
USPC ..... **D10/38**  
(58) **Field of Classification Search**  
USPC ..... D10/39, 38, 32, 125  
CPC ..... G04B 37/04  
See application file for complete search history.

(56) **References Cited**

**U.S. PATENT DOCUMENTS**

1,634,447 A \* 7/1927 Bowen ..... G04B 37/04  
368/281  
D313,187 S 12/1990 Müller  
D454,802 S \* 3/2002 Hegi ..... D10/39  
D504,332 S \* 4/2005 Chodat ..... D10/39  
D525,149 S \* 7/2006 Plan ..... D10/32  
D531,063 S \* 10/2006 Reginelli ..... D10/32  
D573,902 S \* 7/2008 Modolo ..... D10/39  
D577,613 S \* 9/2008 Rochat ..... D10/38  
D588,945 S \* 3/2009 Arabo ..... D10/39  
D600,143 S \* 9/2009 Kawashima ..... D10/32  
D614,973 S \* 5/2010 Takahashi ..... D10/32

**OTHER PUBLICATIONS**

U.S. Appl. No. 29/721,499, filed Jan. 21, 2020, De Castellane.  
U.S. Appl. No. 29/721,502, filed Jan. 21, 2020, De Castellane.

\* cited by examiner

*Primary Examiner* — George D. Kirschbaum  
(74) *Attorney, Agent, or Firm* — Brinks Gilson & Lione;  
John C. Freeman

(57) **CLAIM**

The ornamental design for a watch, as shown and described.

**DESCRIPTION**

FIG. 1 is a front view of a watch showing my new design;  
FIG. 2 is top view view thereof;  
FIG. 3 is a back view thereof;  
FIG. 4 is a left view thereof;  
FIG. 5 is a front perspective view thereof;  
FIG. 6 is a second front perspective view thereof;  
FIG. 7 is a right view thereof; and,  
FIG. 8 is a bottom view thereof.

**1 Claim, 8 Drawing Sheets**

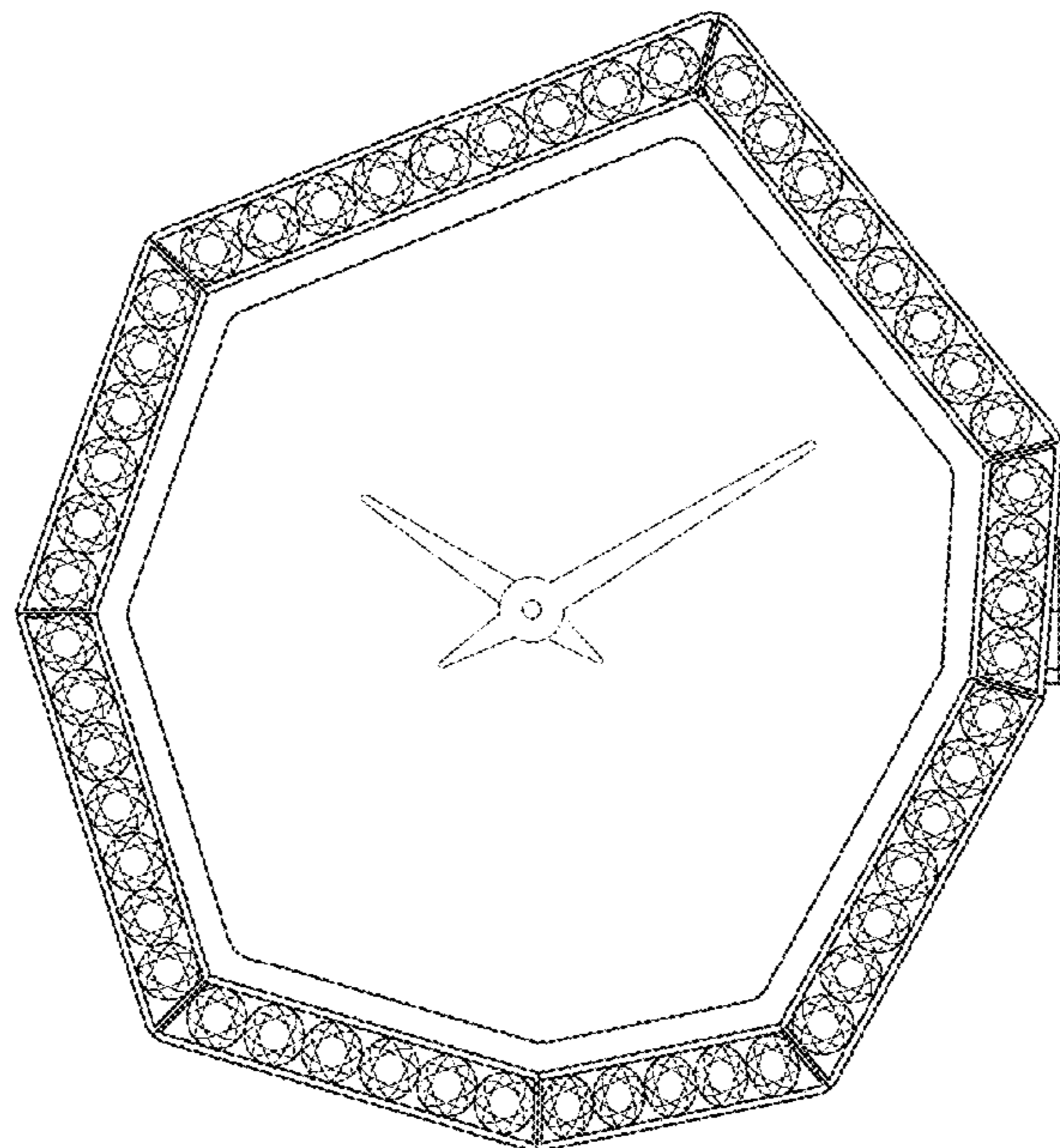


FIG. 1

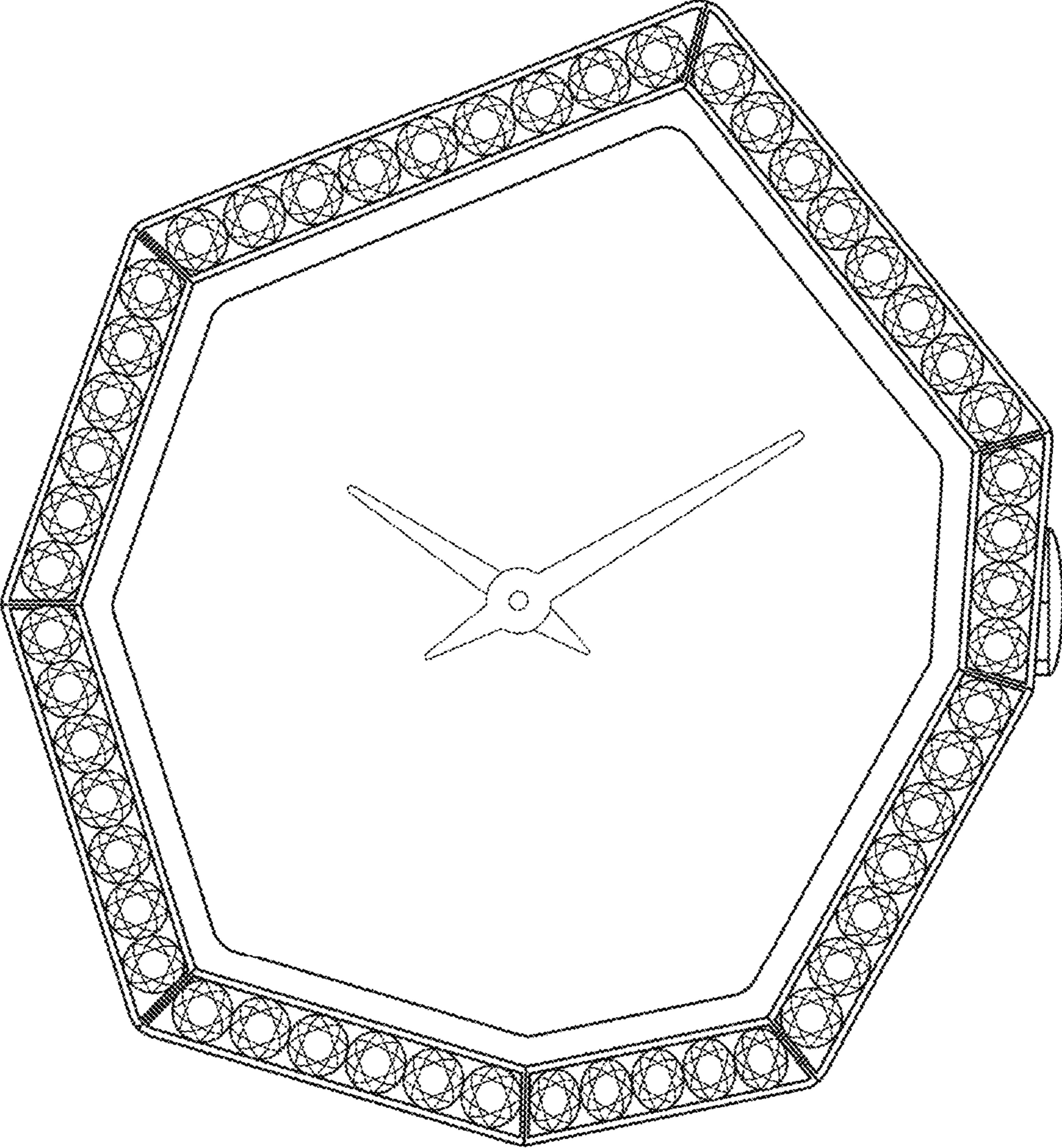


FIG. 2

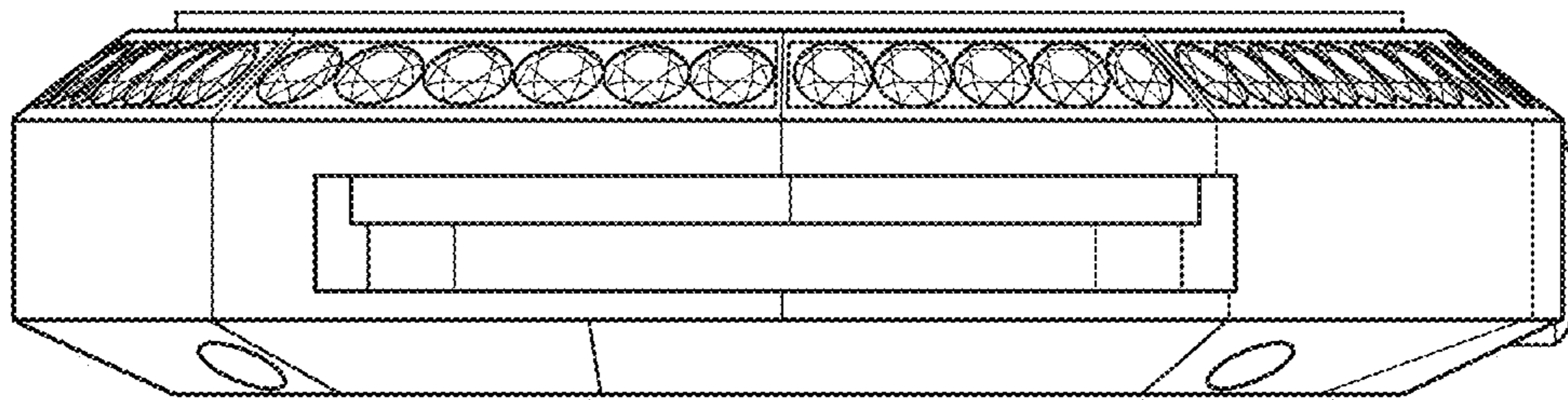


FIG. 3

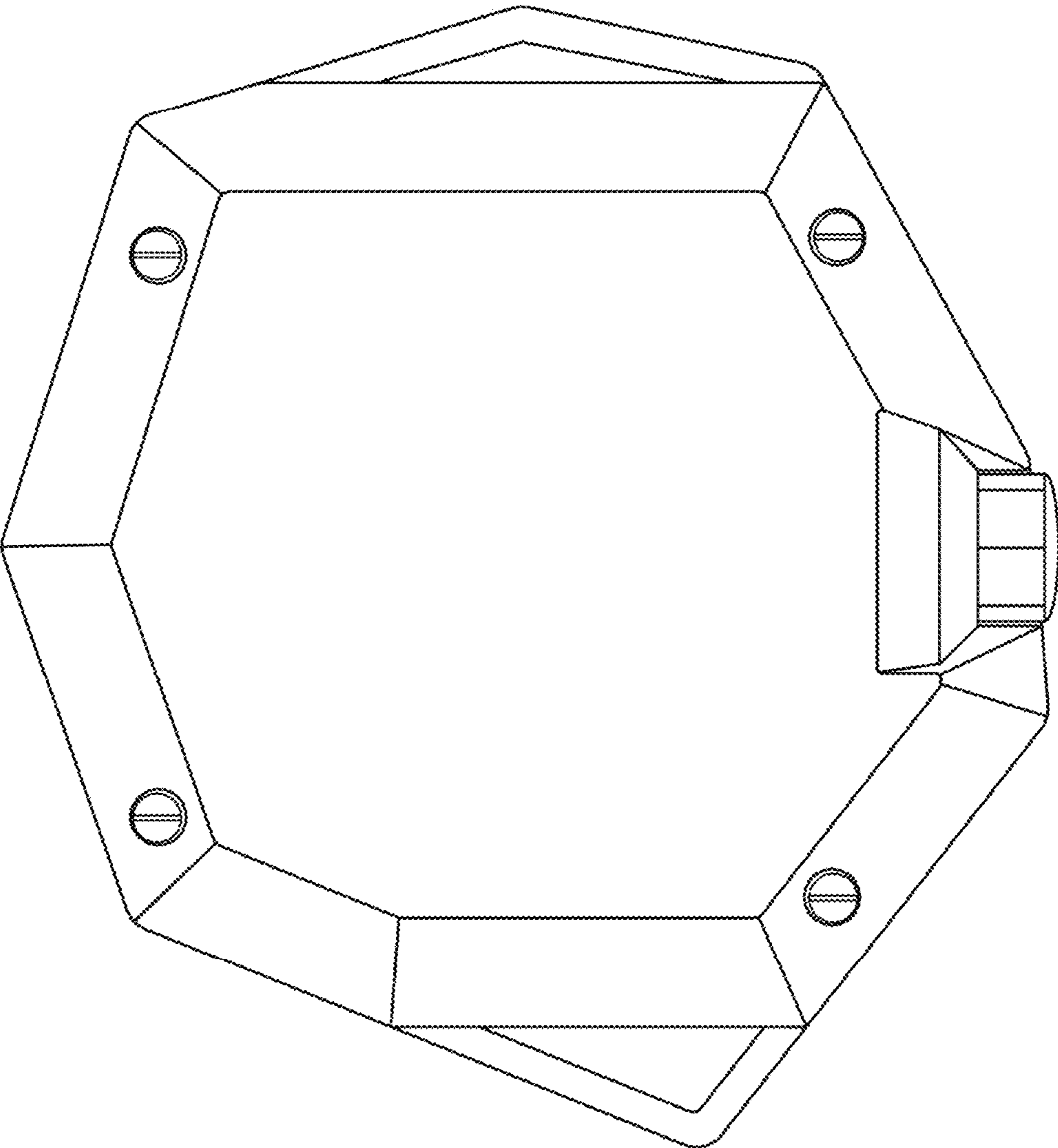


FIG. 4

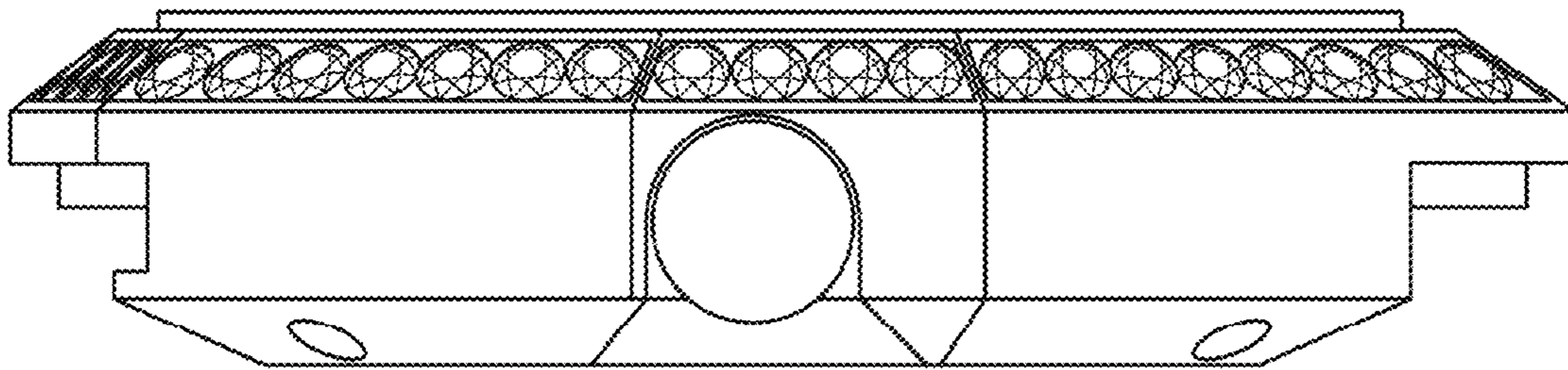


FIG. 5

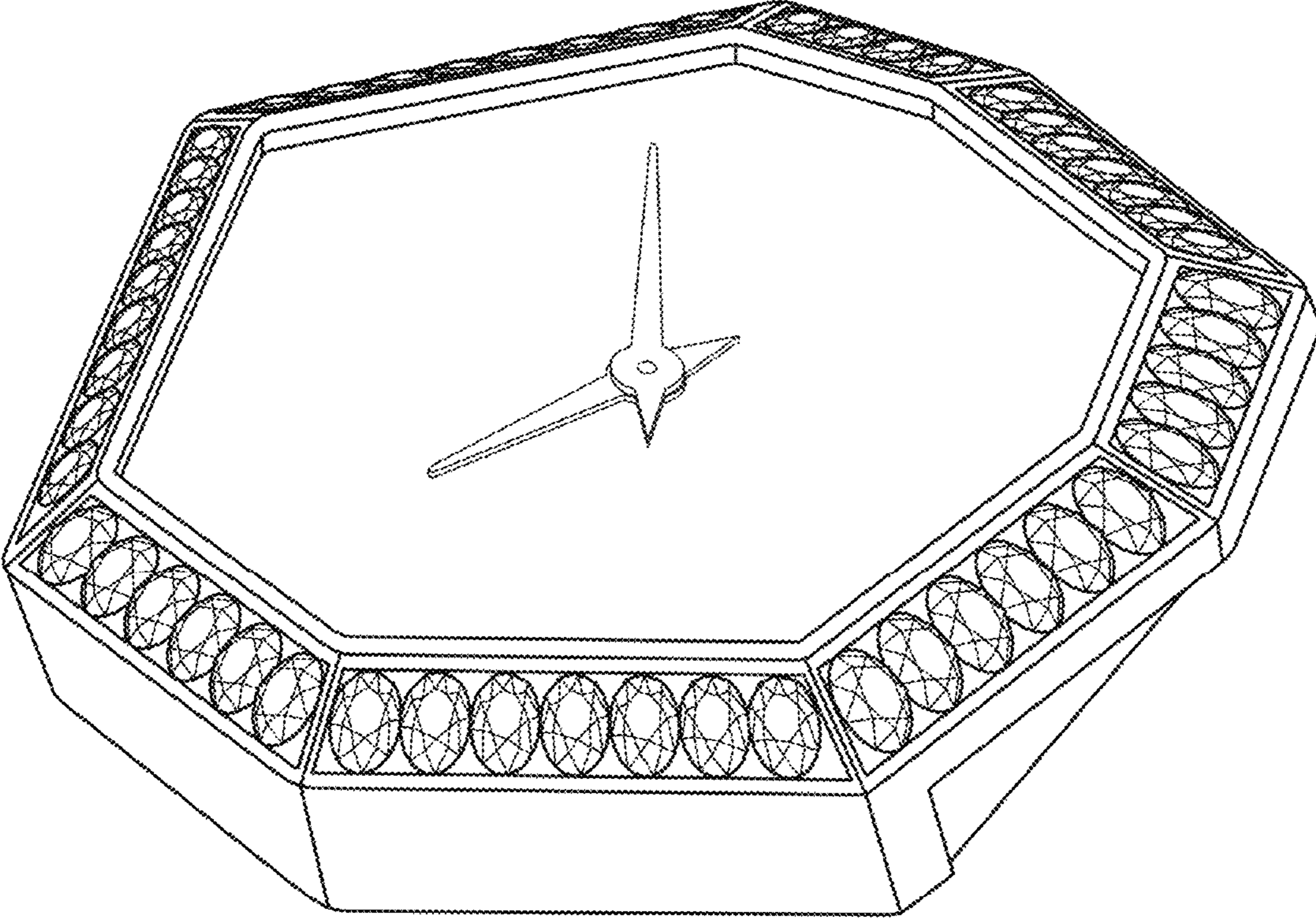


FIG. 6

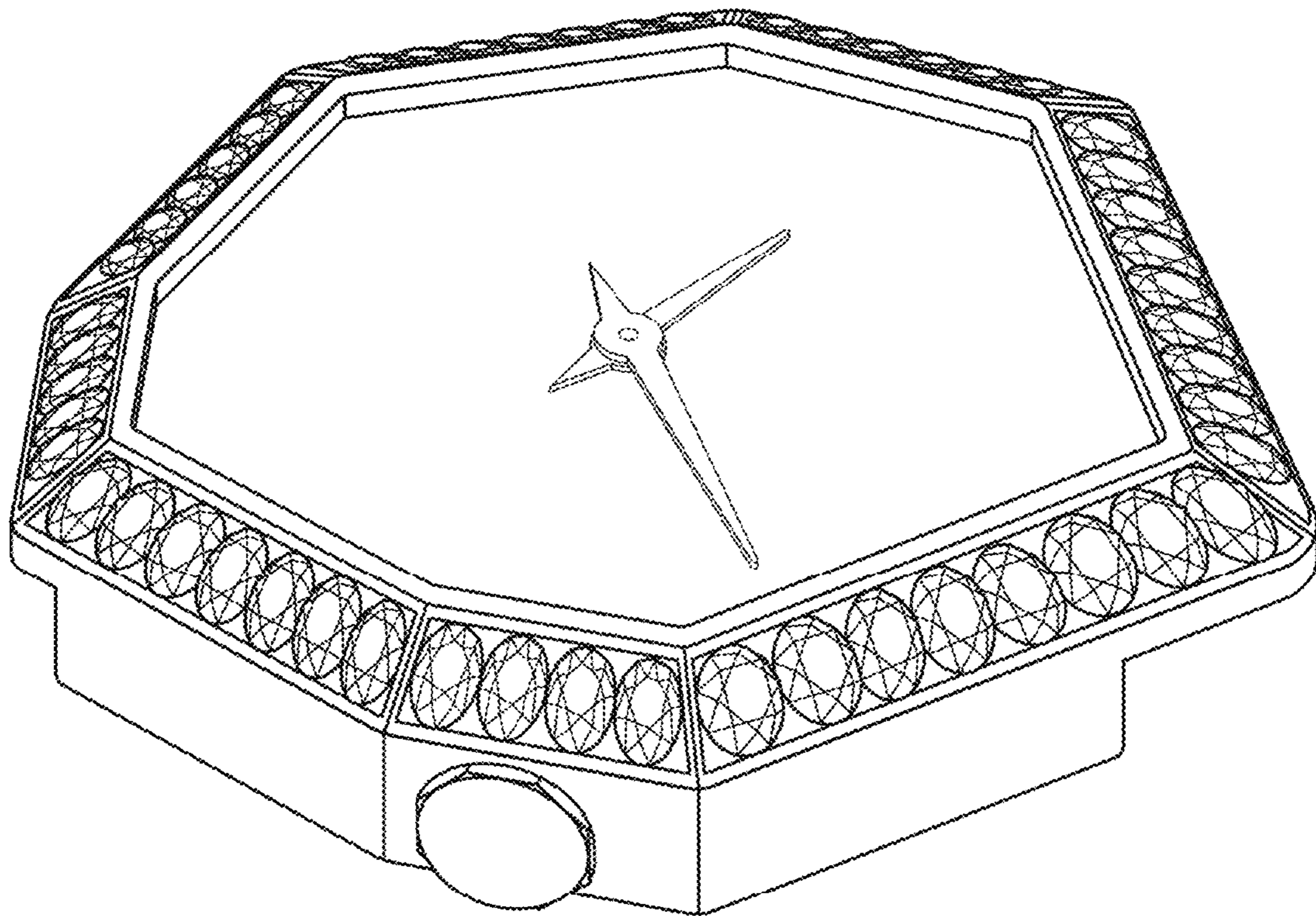


FIG. 7

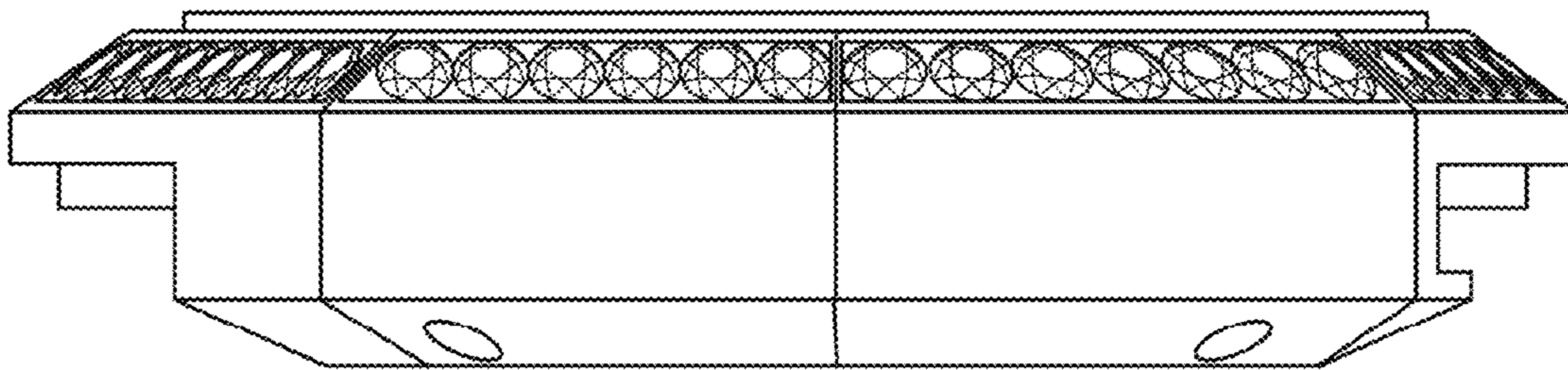




FIG. 8

