



US00D906842S

(12) **United States Design Patent** (10) **Patent No.:** **US D906,842 S**  
**Waller et al.** (45) **Date of Patent:** **\*\* Jan. 5, 2021**

(54) **FOOD CONTAINER WITH DIVIDER**  
(71) Applicants: **Cheryl Waller**, Houston, TX (US);  
**William Lofton, Jr.**, Houston, TX (US)  
(72) Inventors: **Cheryl Waller**, Houston, TX (US);  
**William Lofton, Jr.**, Houston, TX (US)  
(\*\*) Term: **15 Years**

D558,451 S \* 1/2008 Roesler ..... D3/282  
8,342,349 B2 1/2013 Lu  
D698,266 S \* 1/2014 Downs ..... D9/741  
D722,113 S \* 2/2015 Knight ..... D20/8  
D751,817 S \* 3/2016 Stuart ..... D3/302  
D758,847 S \* 6/2016 Stuart ..... D9/428  
D760,601 S 7/2016 Bochner et al.  
D780,600 S \* 3/2017 Stuart ..... D9/743  
D804,963 S \* 12/2017 Stuart ..... D9/756  
D815,518 S \* 4/2018 Safdie ..... D9/504

(Continued)

(21) Appl. No.: **29/720,659**  
(22) Filed: **Jan. 15, 2020**  
(51) **LOC (13) Cl.** ..... **09-03**  
(52) **U.S. Cl.**  
USPC ..... **D9/761; D7/703; D7/705**  
(58) **Field of Classification Search**  
USPC ..... D9/500, 501, 503-505, 737-746, 780,  
D9/516, 529-532, 537, 539, 549, 558,  
D9/761; D3/201, 272, 273, 302, 276,  
D3/283; D7/513, 541, 542, 555, 601,  
D7/602, 612, 614, 619.1, 701, 703, 705,  
D7/706, 708, 608  
CPC ..... B65D 1/04; B65D 21/022; B65D 23/12;  
B65D 88/08; B65D 90/024; B65D 90/08;  
B65G 51/06; F17C 2201/0104; Y10S  
220/916; A47F 7/17  
See application file for complete search history.

**OTHER PUBLICATIONS**

Lock&Lock 2-Way Container, Salads, Sauces, Fruits Bottle, Keep Two Foods Fresh (360ml+310ml). Product Listing [online]. © 1996-2020, Amazon.com, Inc. [retrieved on Jul. 24, 2019]. Retrieved from the Internet: <URL: <https://www.amazon.com/Container-Salads-Sauces-Fruits-Bottle/dp/B07DC17JQ1?th=1>>.

*Primary Examiner* — W. A. Teddy Falloway  
(74) *Attorney, Agent, or Firm* — Cramer Patent & Design, PLLC; Aaron R. Cramer

(57) **CLAIM**

The ornamental design for a food container with a divider, as shown and described.

**DESCRIPTION**

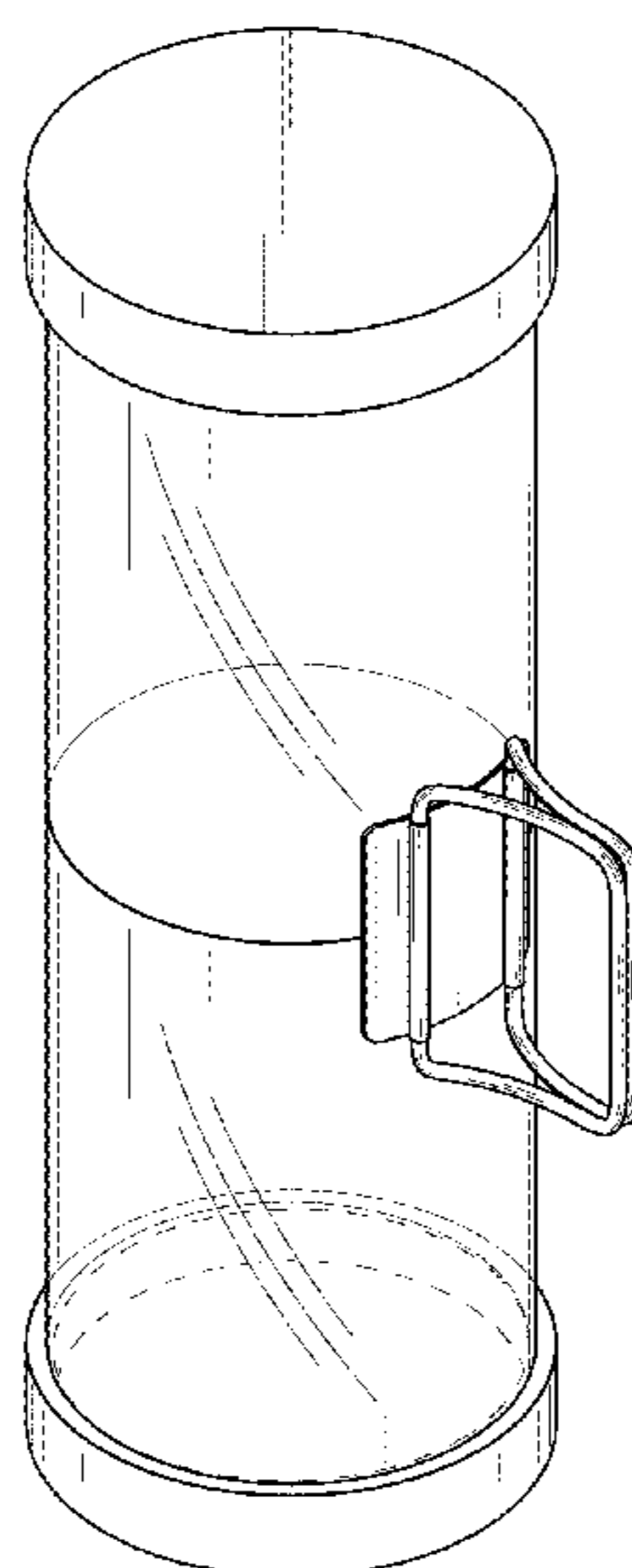
FIG. 1 is a perspective top front right view of a food container with a divider, showing our new design; FIG. 2 is a perspective top rear left view thereof; FIG. 3 is a front elevation view thereof; FIG. 4 is a rear elevation view thereof; FIG. 5 is a right elevation view thereof; FIG. 6 is a left elevation view thereof; FIG. 7 is a top plan view thereof; and, FIG. 8 is a bottom plan view thereof. The broken lines shown illustrate portions of the food container with divider that form no part of the claimed design.

(56) **References Cited**

**U.S. PATENT DOCUMENTS**

D160,876 S \* 11/1950 Mesi ..... D7/596  
3,465,905 A 9/1969 Schottanes  
D217,005 S \* 3/1970 Maben ..... D7/608  
D220,358 S \* 3/1971 Bewley ..... D7/608  
4,078,686 A 3/1978 Karesh  
4,381,059 A \* 4/1983 Schurman ..... A61J 7/04  
116/308  
4,444,324 A 4/1984 Grenell  
5,499,738 A \* 3/1996 Burleigh ..... B65D 1/04  
215/395  
6,092,717 A 7/2000 Lowry

**1 Claim, 7 Drawing Sheets**



(56)

**References Cited**

U.S. PATENT DOCUMENTS

9,943,104 B1 \* 4/2018 Simon ..... B65D 43/02  
2010/0213090 A1 \* 8/2010 Bebrin ..... B65D 85/54  
206/423  
2014/0069917 A1 \* 3/2014 Meyers ..... B65D 51/242  
220/23.88  
2014/0238949 A1 \* 8/2014 Patel ..... A47G 19/2272  
215/6  
2018/0156386 A1 \* 6/2018 Xiao ..... F17C 13/025  
2019/0322415 A1 \* 10/2019 Gersovitz ..... B65B 7/28

\* cited by examiner

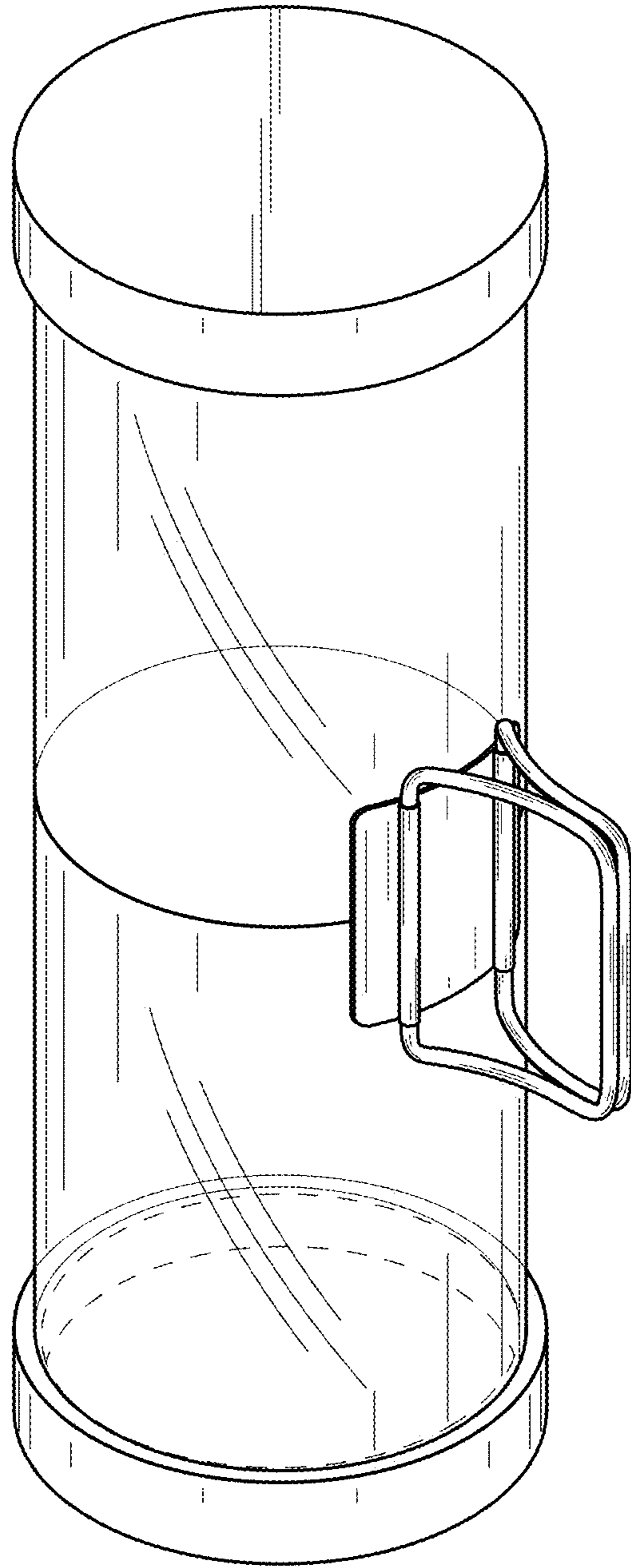


FIG. 1

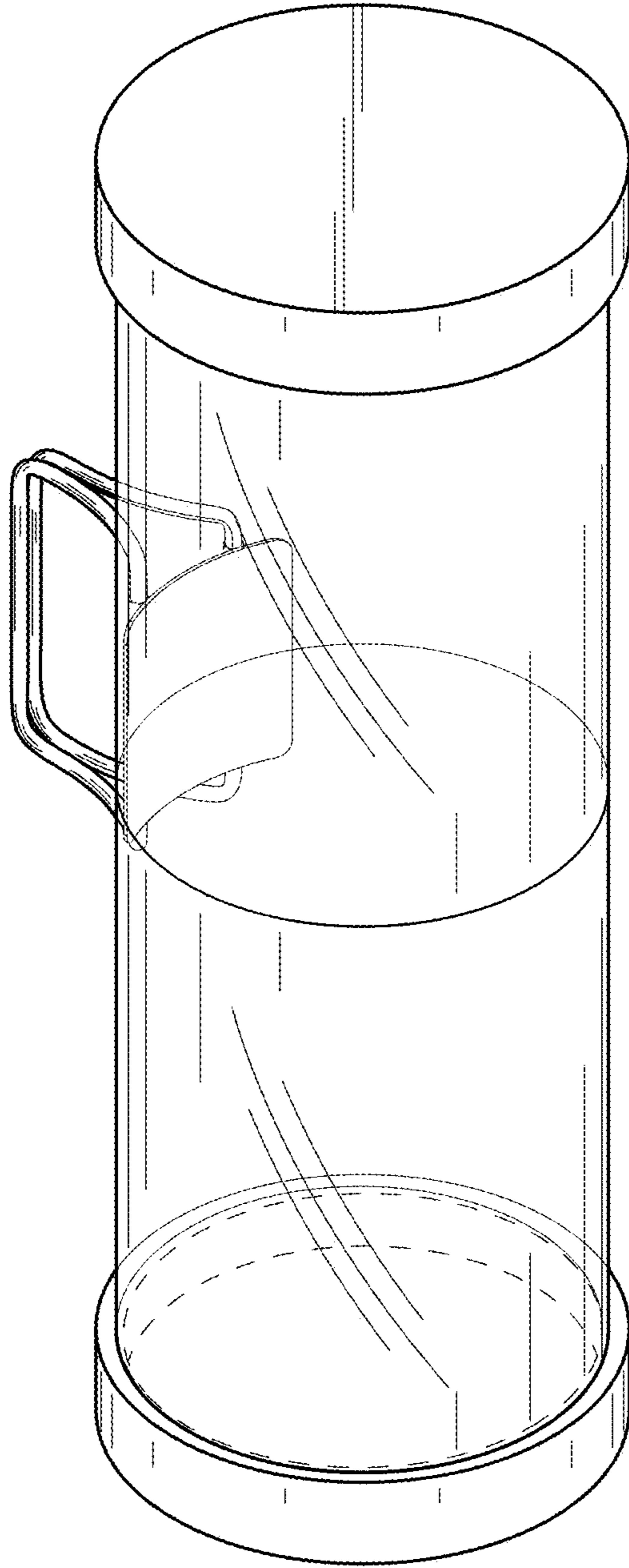


FIG. 2

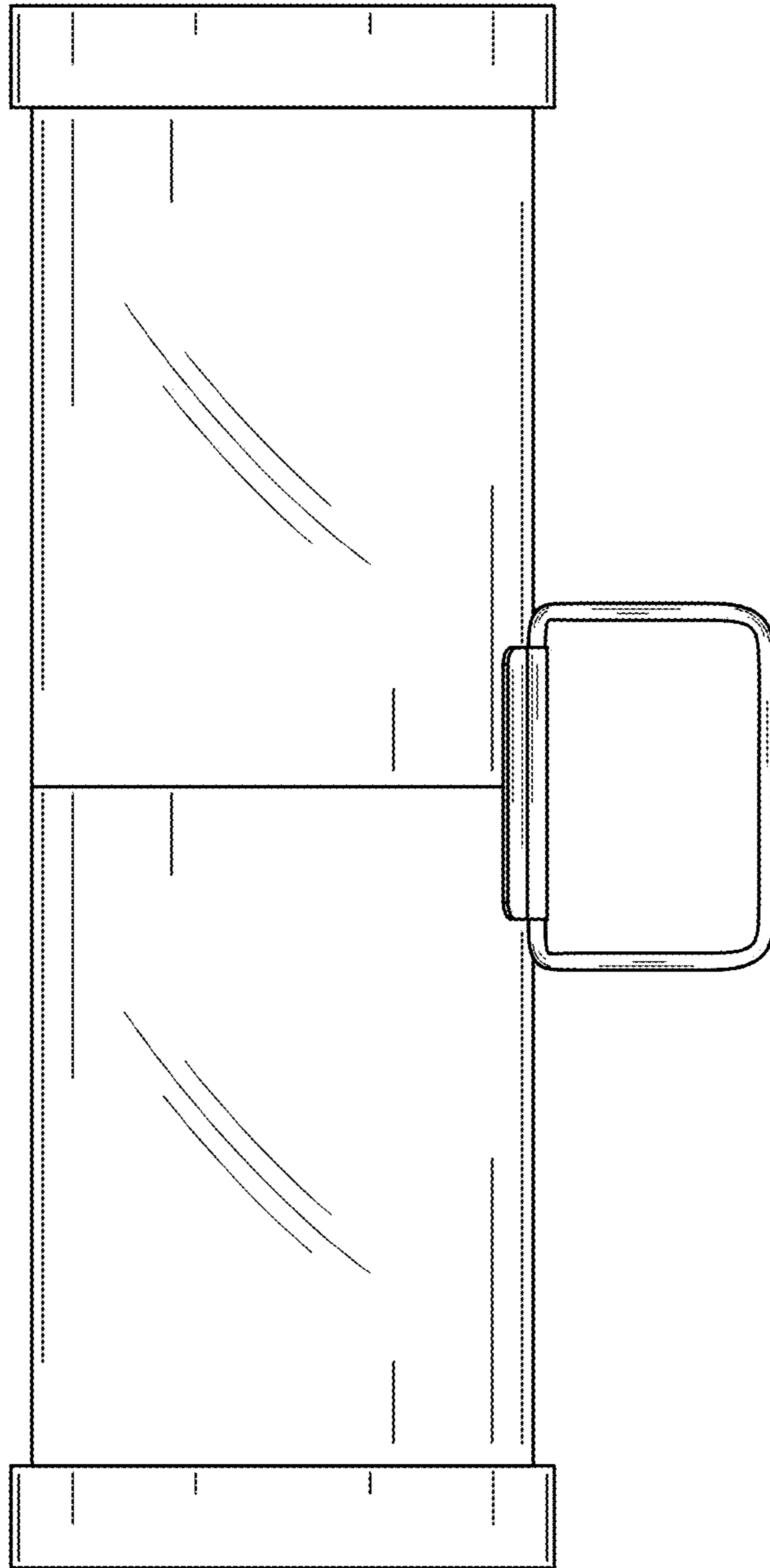


FIG. 3

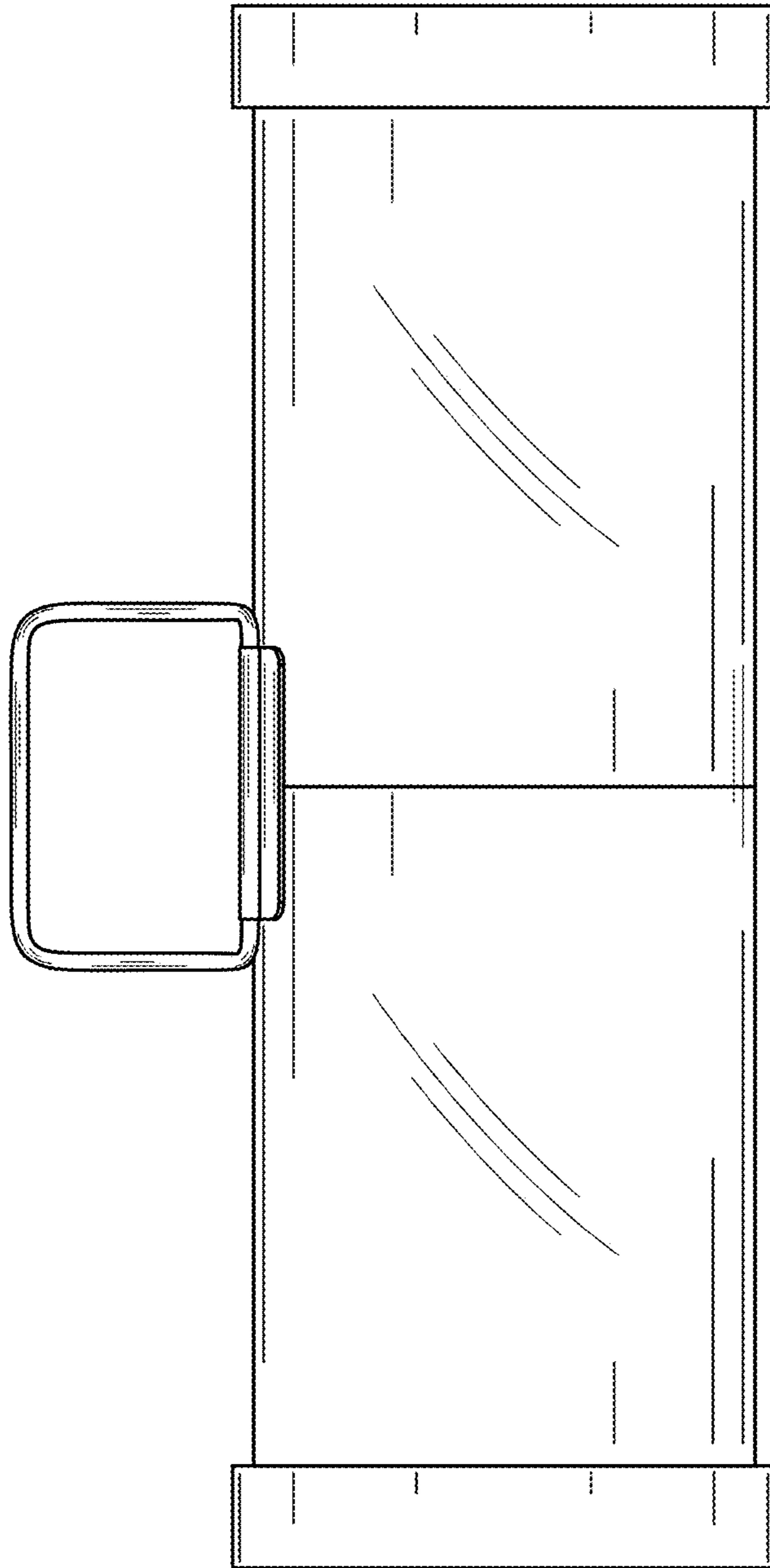


FIG. 4

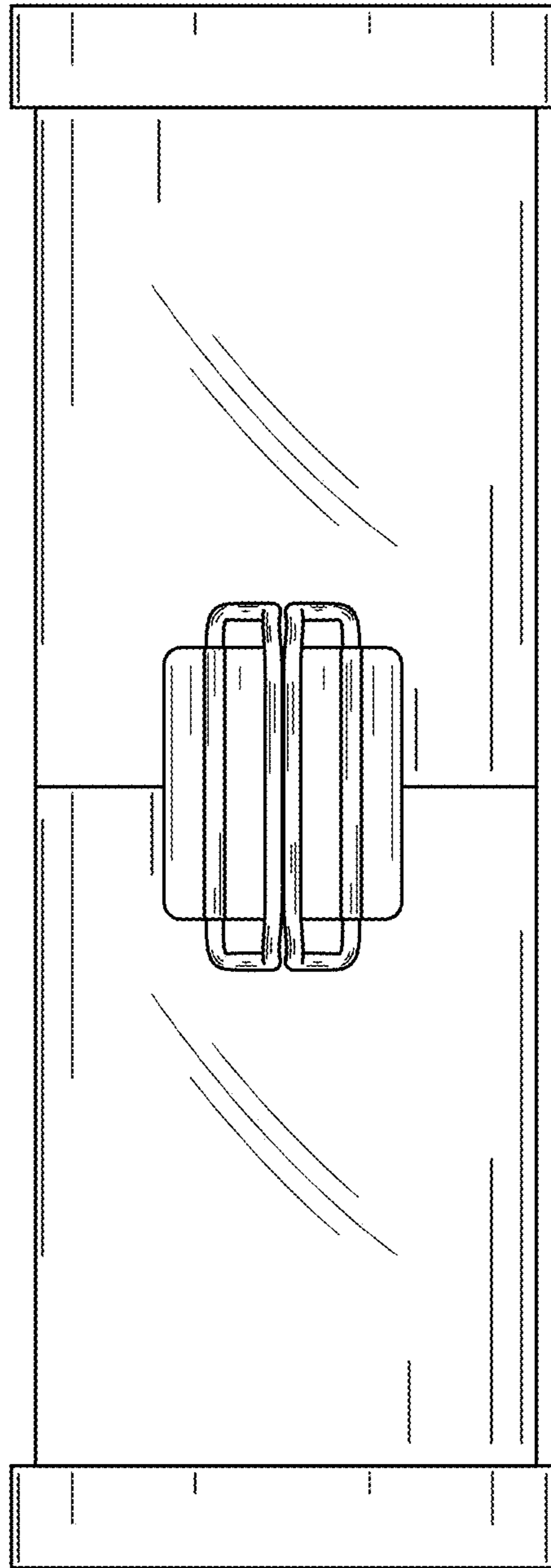


FIG. 5

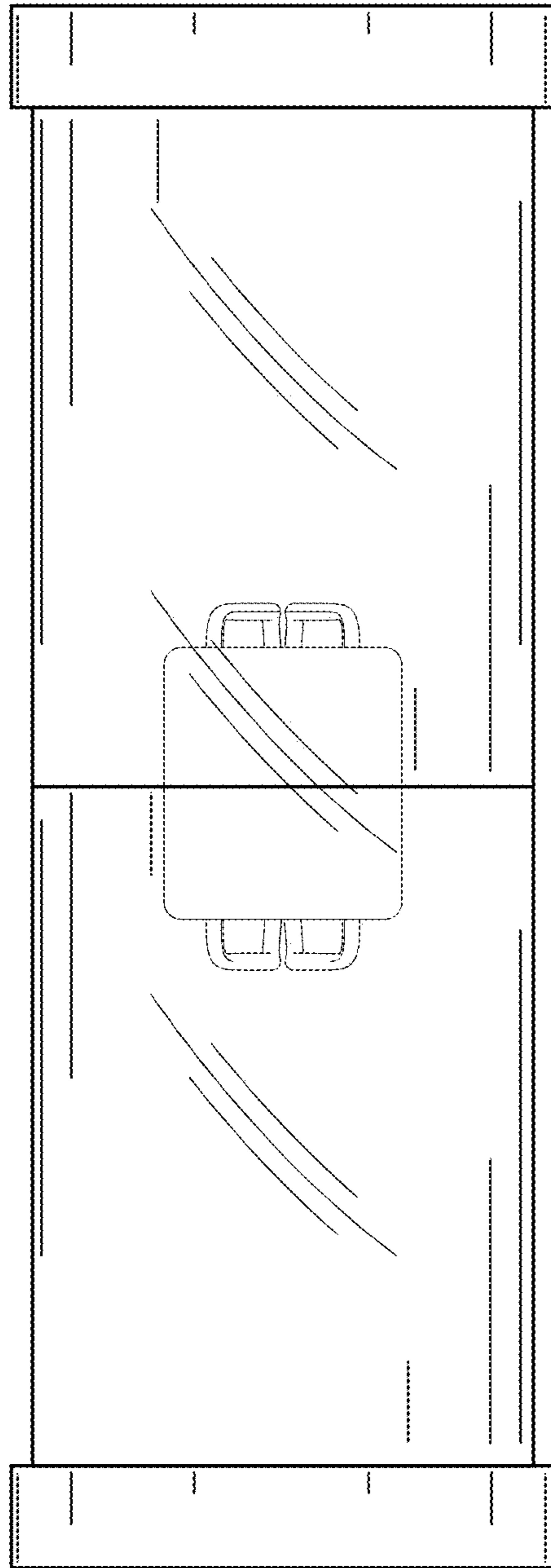


FIG. 6



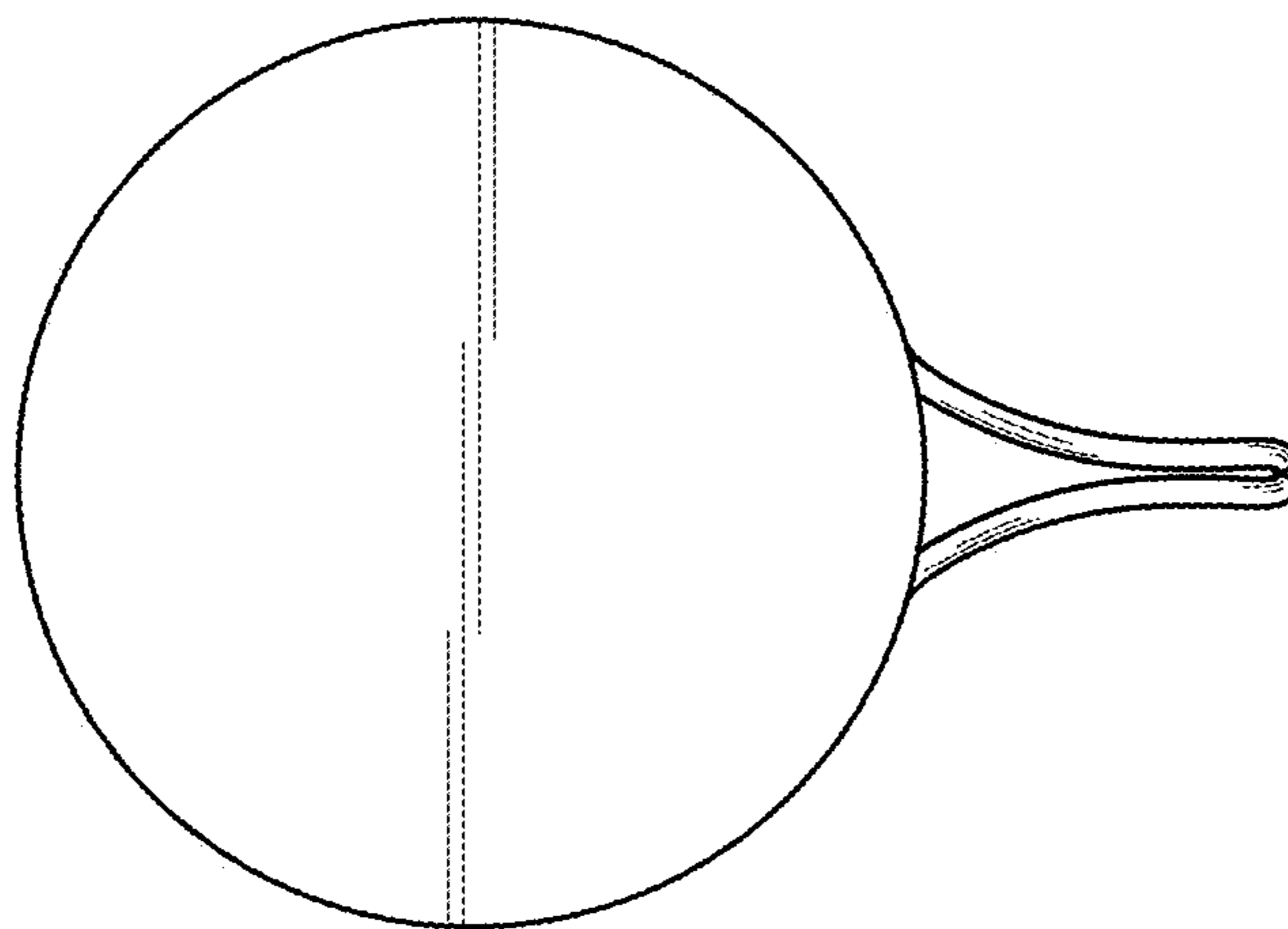


FIG. 7

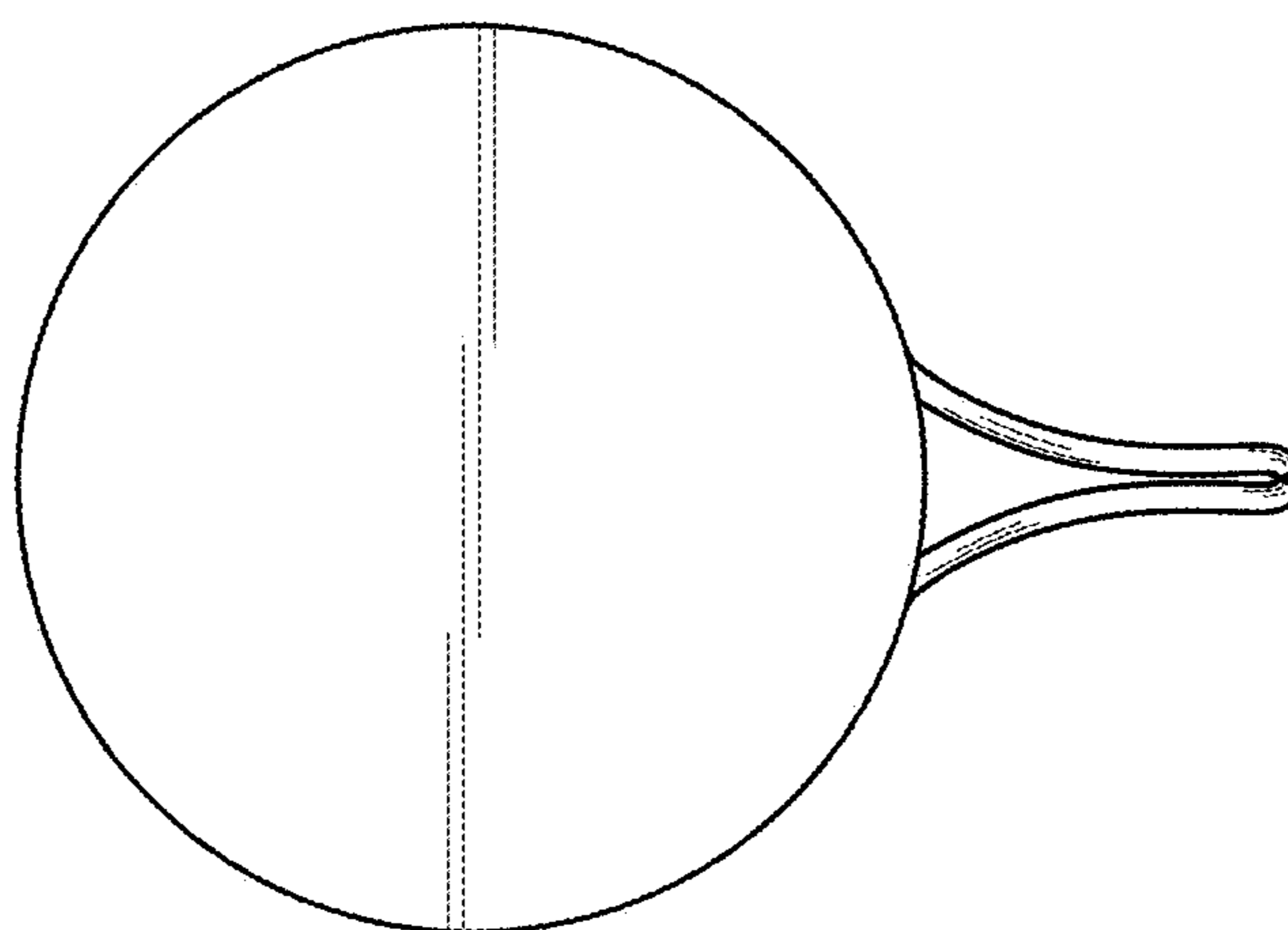


FIG. 8