

US00D906841S

(12) **United States Design Patent** (10) **Patent No.:** **US D906,841 S**
Henry et al. (45) **Date of Patent:** **** Jan. 5, 2021**

(54) **CONTAINER**
(71) Applicant: **Skip Hop, Inc.**, New York, NY (US)
(72) Inventors: **Lou Henry**, Scarsdale, NY (US); **Chris Mellen**, Yonkers, NY (US)
(73) Assignee: **Skip Hop, Inc.**, New York, NY (US)
(**) Term: **15 Years**

3,510,049 A * 5/1970 Donovan B65D 85/324
206/521.1
D241,622 S * 9/1976 Smith D9/760
D262,355 S * 12/1981 Oakley D9/424
D281,696 S * 12/1985 Barnhart D15/90
5,044,600 A * 9/1991 Shannon F25C 1/243
221/91
D320,994 S * 10/1991 Kafka D15/90
D328,963 S * 8/1992 Offutt, IV D34/1
(Continued)

(21) Appl. No.: **29/700,491**
(22) Filed: **Aug. 2, 2019**
(51) **LOC (13) Cl.** **09-03**
(52) **U.S. Cl.**
USPC **D9/758**; D9/760
(58) **Field of Classification Search**
USPC D9/737, 756-762, 418, 420, 424-426,
D9/456; D7/601, 602, 701, 708;
D3/201, 304, 313-315; 220/575, 500;
229/406, 407, 116.1, 116.2, 120.02;
D15/90
CPC B65D 43/169; B65D 45/00; B65D 1/36;
B65D 2543/00194; B65D 2543/00296;
B65D 2543/00555; B65D 2581/3425;
B65D 25/04; B65D 43/0218; A47G
19/02; A47G 19/065; A47G 23/0608
See application file for complete search history.

(56) **References Cited**
U.S. PATENT DOCUMENTS
2,047,495 A * 7/1936 Schurmann B65D 85/324
206/521.1
2,955,044 A * 10/1960 Tupper F25D 3/08
426/515
3,217,961 A * 11/1965 Hornbostel, Jr. B65D 85/324
206/521.1
3,386,608 A * 6/1968 Diller B65D 1/30
220/23.6

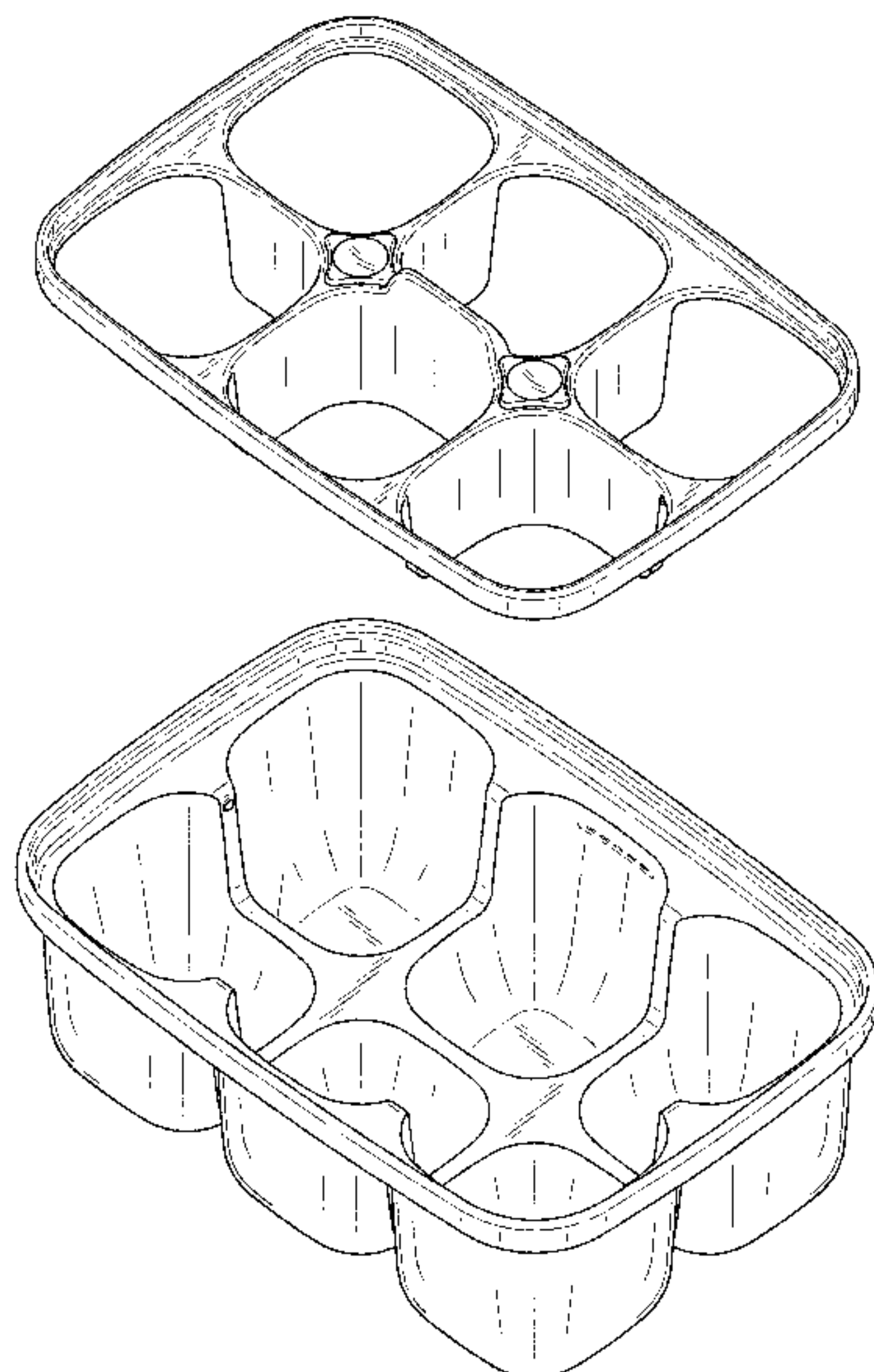
OTHER PUBLICATIONS
NUK Freezer Tray with Lid, available Aug. 31, 2017, [online], [site visited Aug. 31, 2020]. Available from internet, <URL: https://www.target.com/p/nuk-freezer-tray-with-lid/-/A-14014886 (Year: 2017).*
(Continued)

Primary Examiner — W. A. Teddy Falloway
(74) Attorney, Agent, or Firm — Greenberg Traurig, LLP

(57) **CLAIM**
We claim the ornamental design for a container, as shown and described.

DESCRIPTION
FIG. 1 is a top perspective view of our design;
FIG. 2 is a bottom perspective view of our design;
FIG. 3 is a front view of our design;
FIG. 4 is a rear view of our design;
FIG. 5 is a right view of our design;
FIG. 6 is a left view of our design;
FIG. 7 is a top view of our design;
FIG. 8 is a bottom view of our design;
FIG. 9 is a cross-sectional view along line 9-9 in FIG. 7;
FIG. 10 is a cross-sectional view along line 10-10 in FIG. 7;
and,
FIG. 11 is an exploded view of our design.
The broken lines shown illustrates environment and form no part of the claimed design.

1 Claim, 10 Drawing Sheets



(56)

References Cited

U.S. PATENT DOCUMENTS

5,895,679 A * 4/1999 Pender A47G 19/28
 118/13
 D417,785 S * 12/1999 Daniels D3/313
 D420,283 S * 2/2000 Reichel D9/759
 6,086,931 A * 7/2000 Whiteford A23B 5/00
 206/213.1
 D575,148 S * 8/2008 Sagel D9/761
 D579,769 S * 11/2008 Lipinski D9/759
 D580,789 S * 11/2008 Larson D9/425
 D636,412 S * 4/2011 Misse D15/90
 D651,470 S * 1/2012 Henderson D7/554.3
 D672,209 S * 12/2012 Lion D7/629
 D706,316 S * 6/2014 Hoyord D15/90
 D739,264 S * 9/2015 Buccellato D9/761
 D786,095 S * 5/2017 Kim D9/760
 D792,735 S * 7/2017 Henry D7/357
 D855,087 S * 7/2019 Lopez D15/89
 D882,648 S * 4/2020 Peng D15/90

2003/0230582 A1* 12/2003 Whitmore B65D 43/162
 220/507
 2011/0174657 A1* 7/2011 Barnett B65D 1/24
 206/505
 2012/0055188 A1* 3/2012 Levie F25C 1/24
 62/340
 2012/0187016 A1* 7/2012 McFarlane B65D 1/243
 206/514
 2012/0318705 A1* 12/2012 Brooks B65D 1/243
 206/561
 2020/0198828 A1* 6/2020 Berkbigler B65D 1/18

OTHER PUBLICATIONS

OXO Tot Baby Blocks Food Storage Containers, available Jul. 23, 2017, [online], [site visited Aug. 31, 2020]. Available from internet, <URL: https://www.amazon.com/OXO-Tot-Blocks-Storage-Containers/dp/B01MQYBNWR/ref=rtpb_7?_encoding=UTF8&pd (Year: 2017).*

* cited by examiner

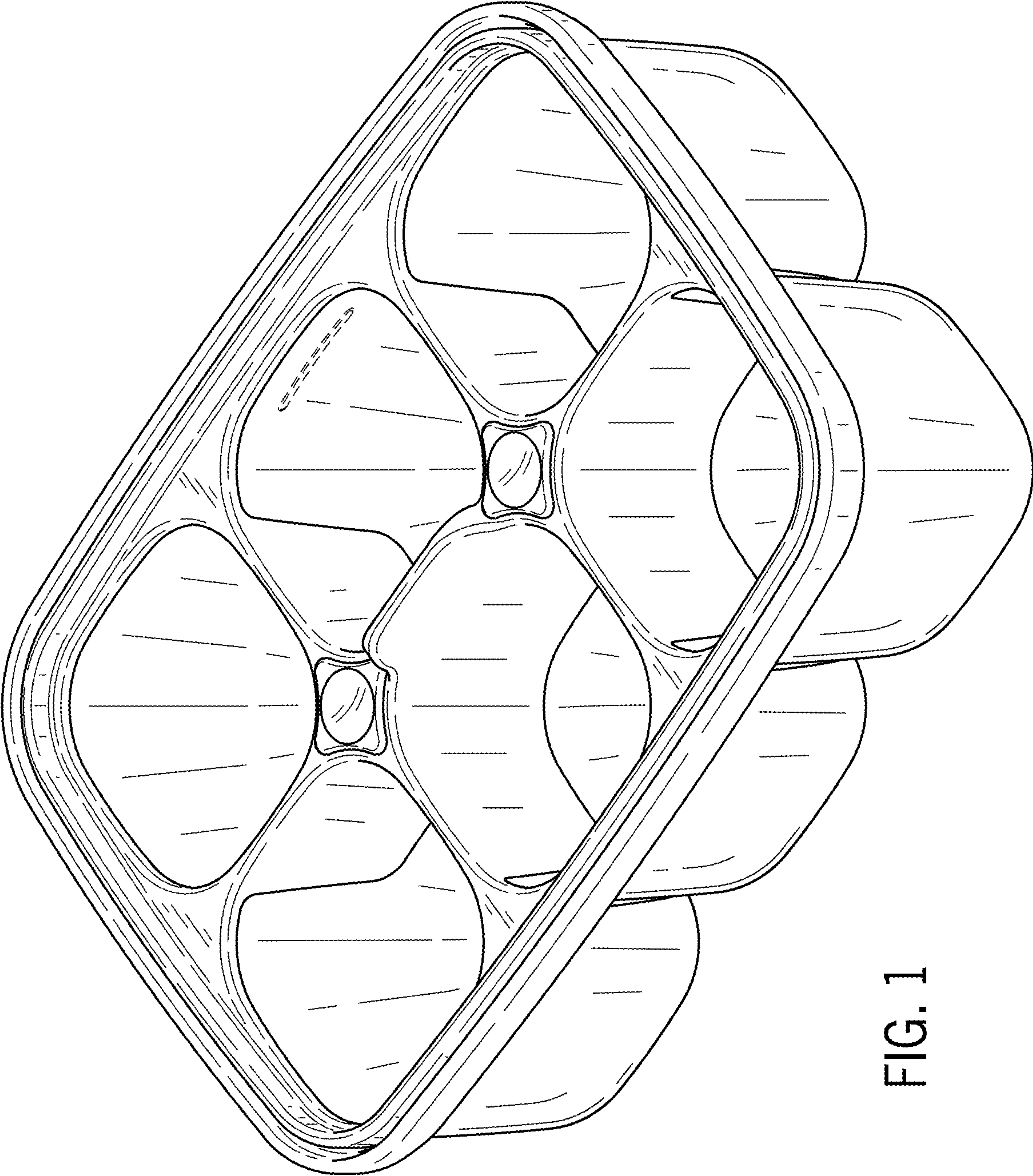


FIG. 1

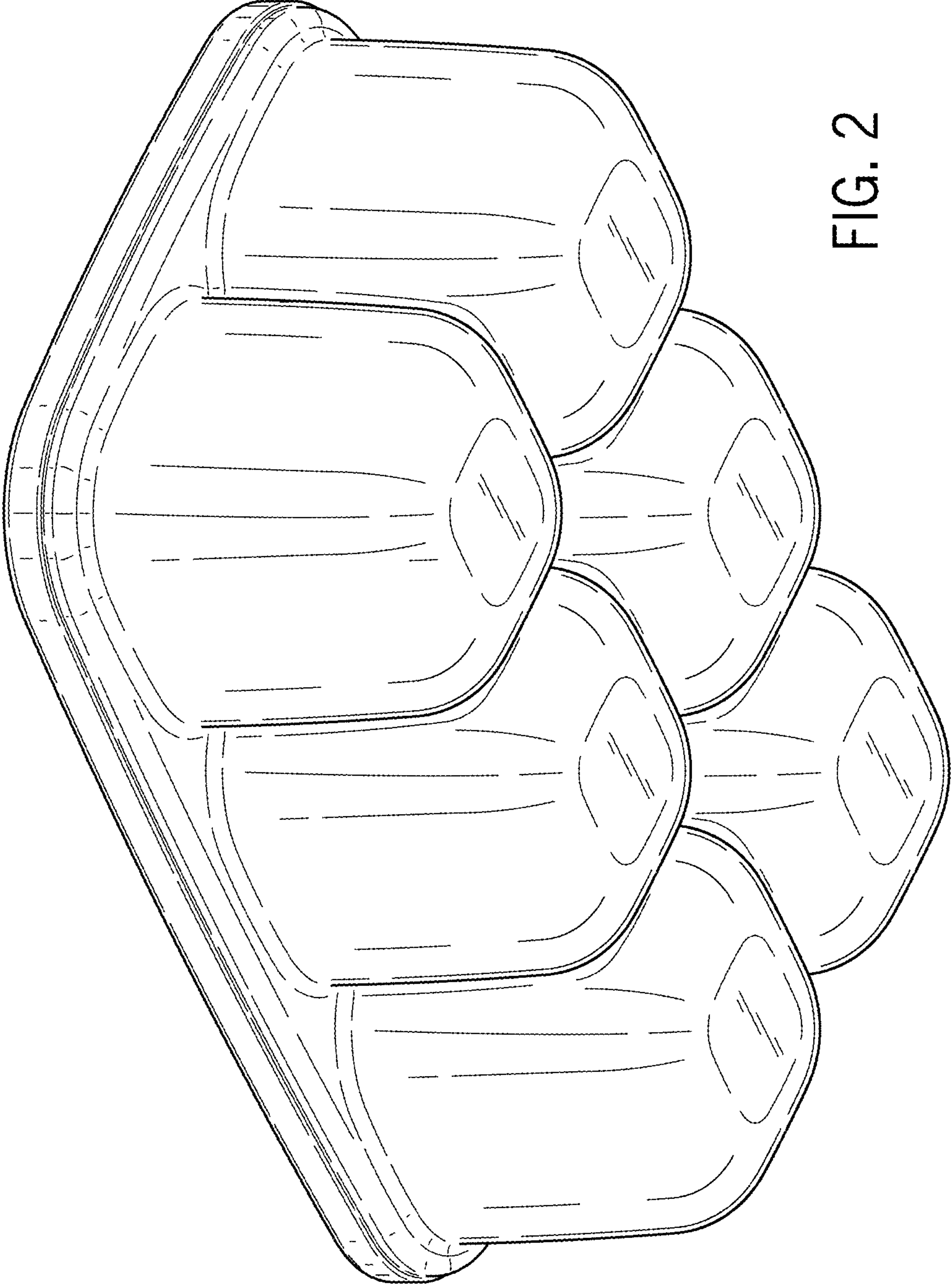


FIG. 2

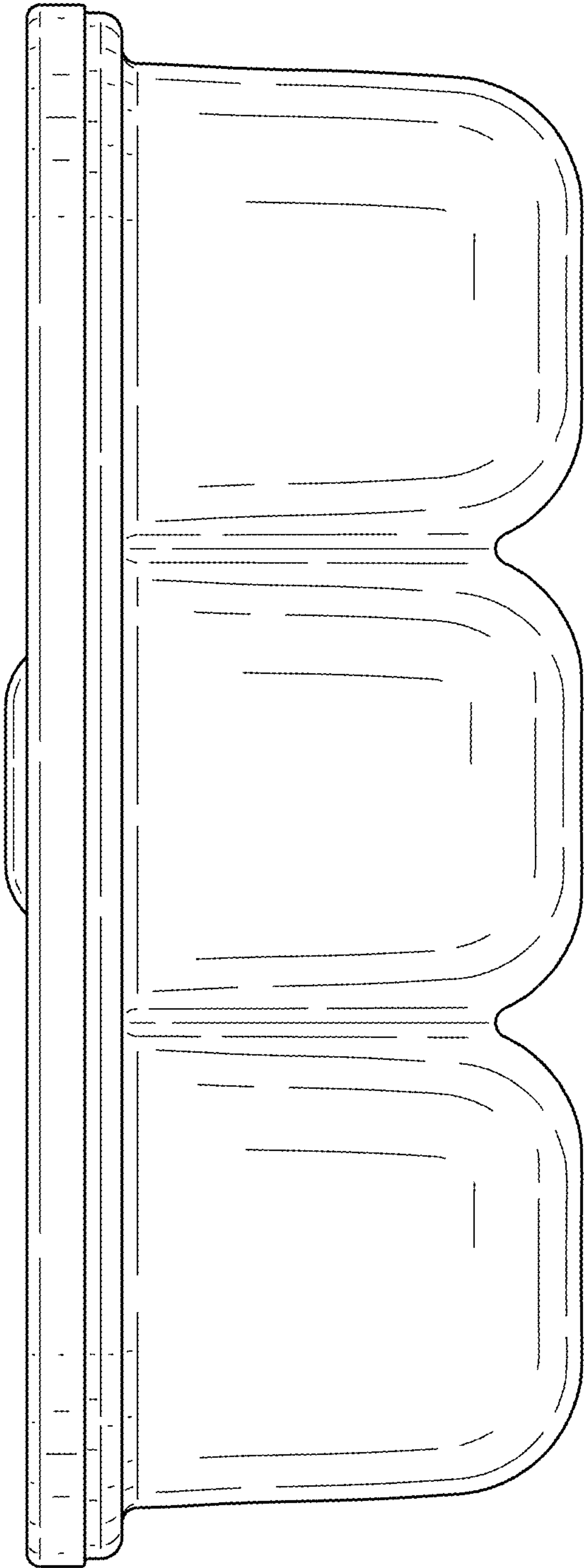


FIG. 3

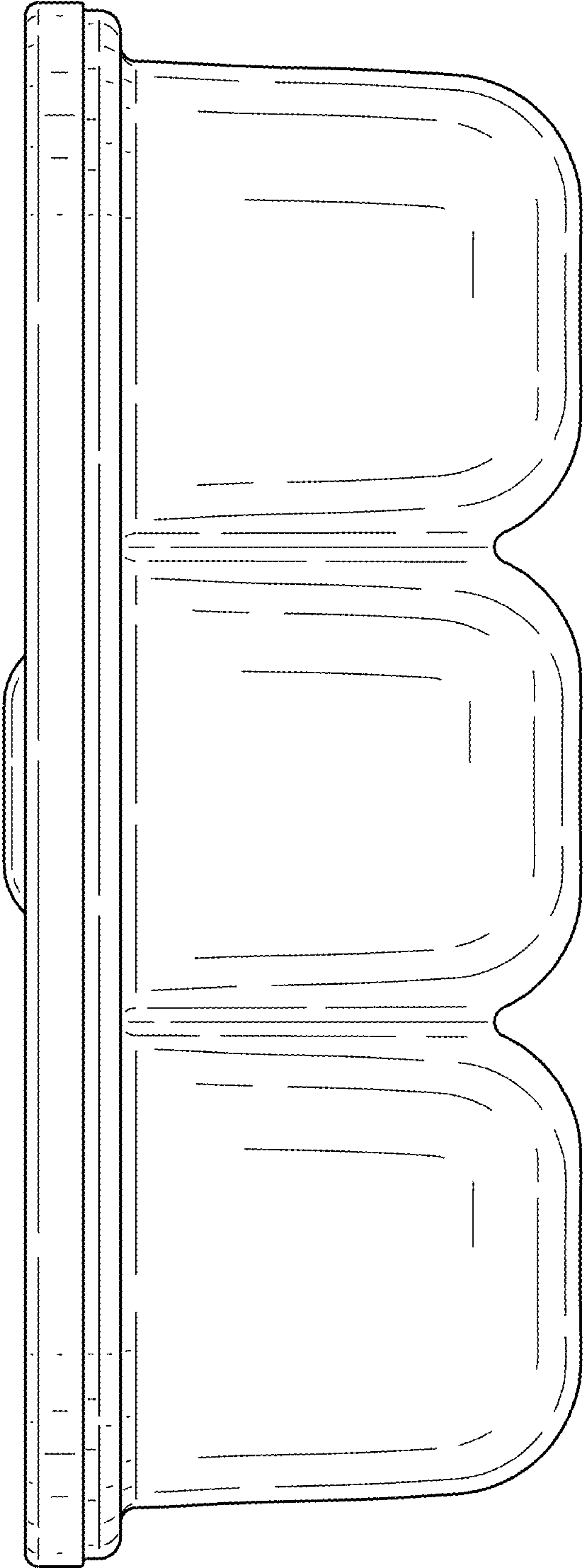


FIG. 4

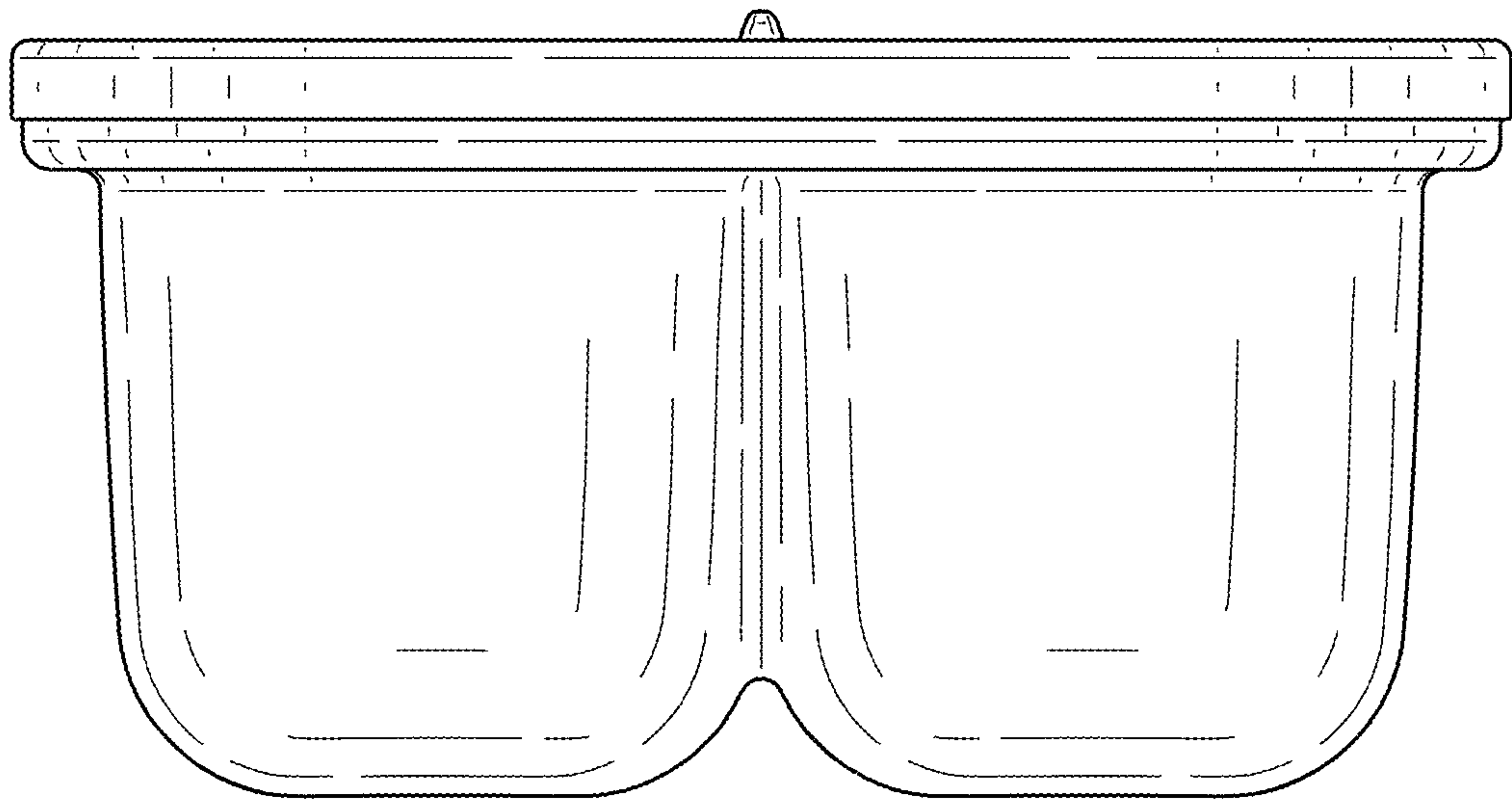


FIG. 5

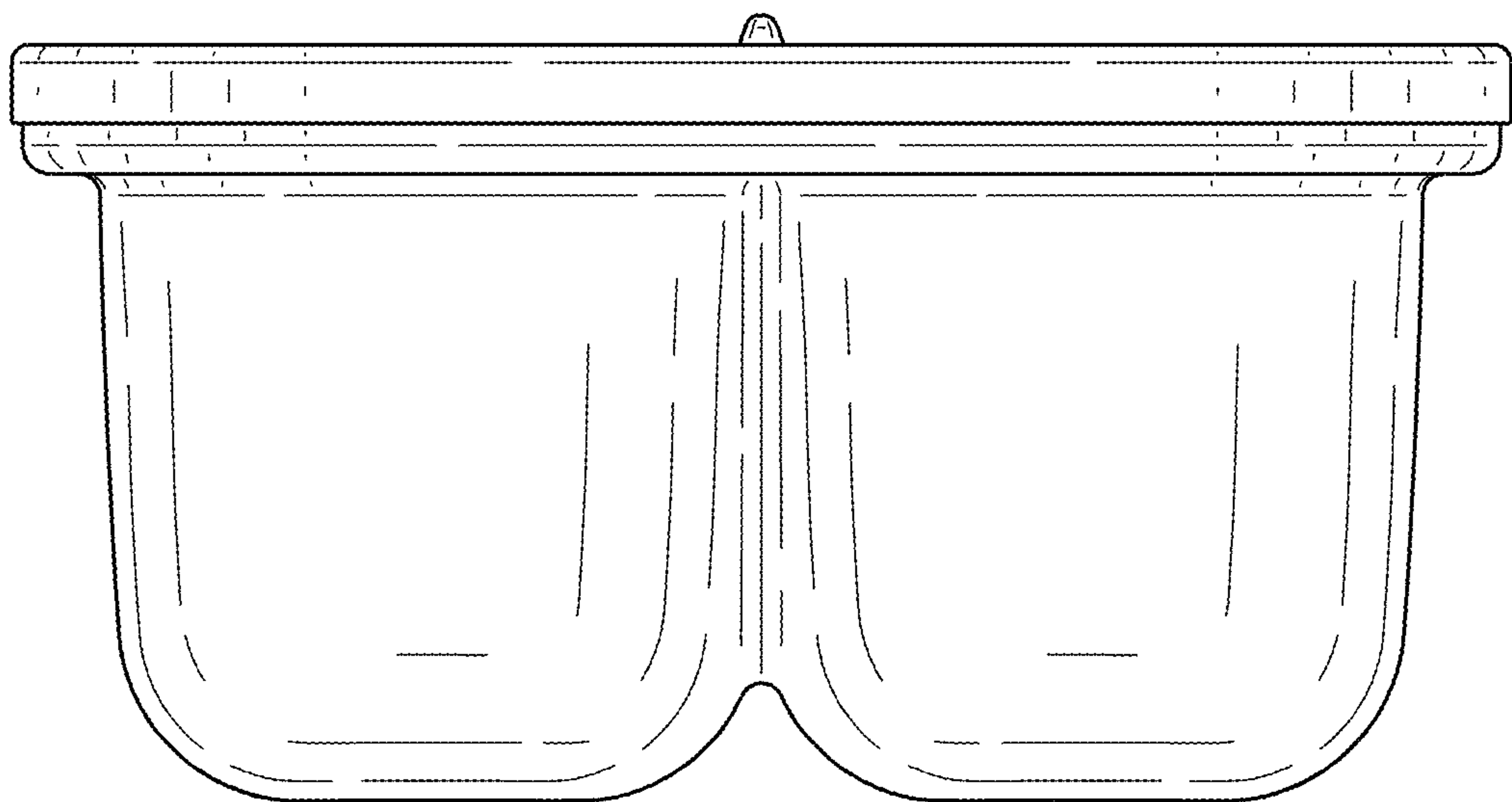


FIG. 6

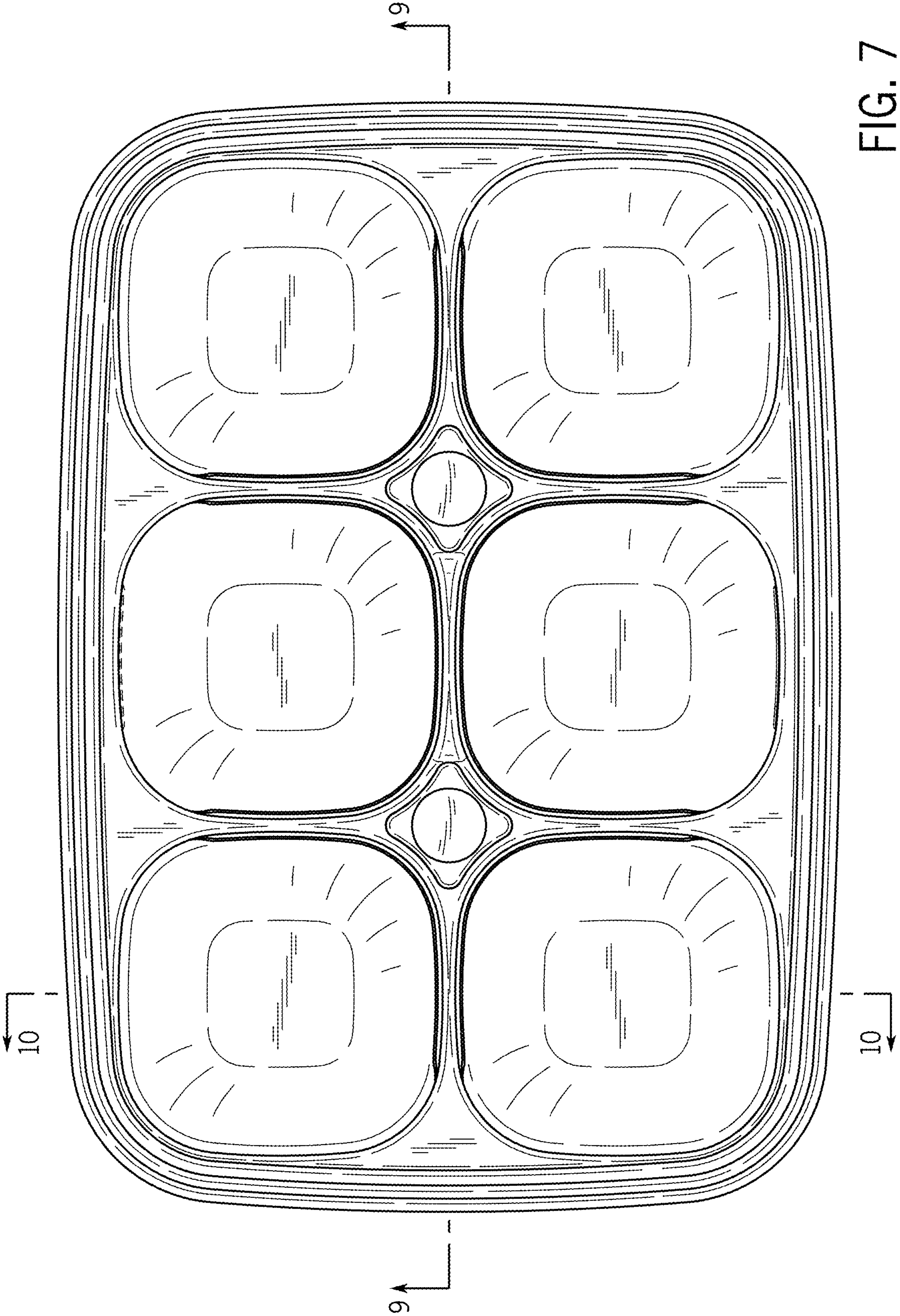


FIG. 7

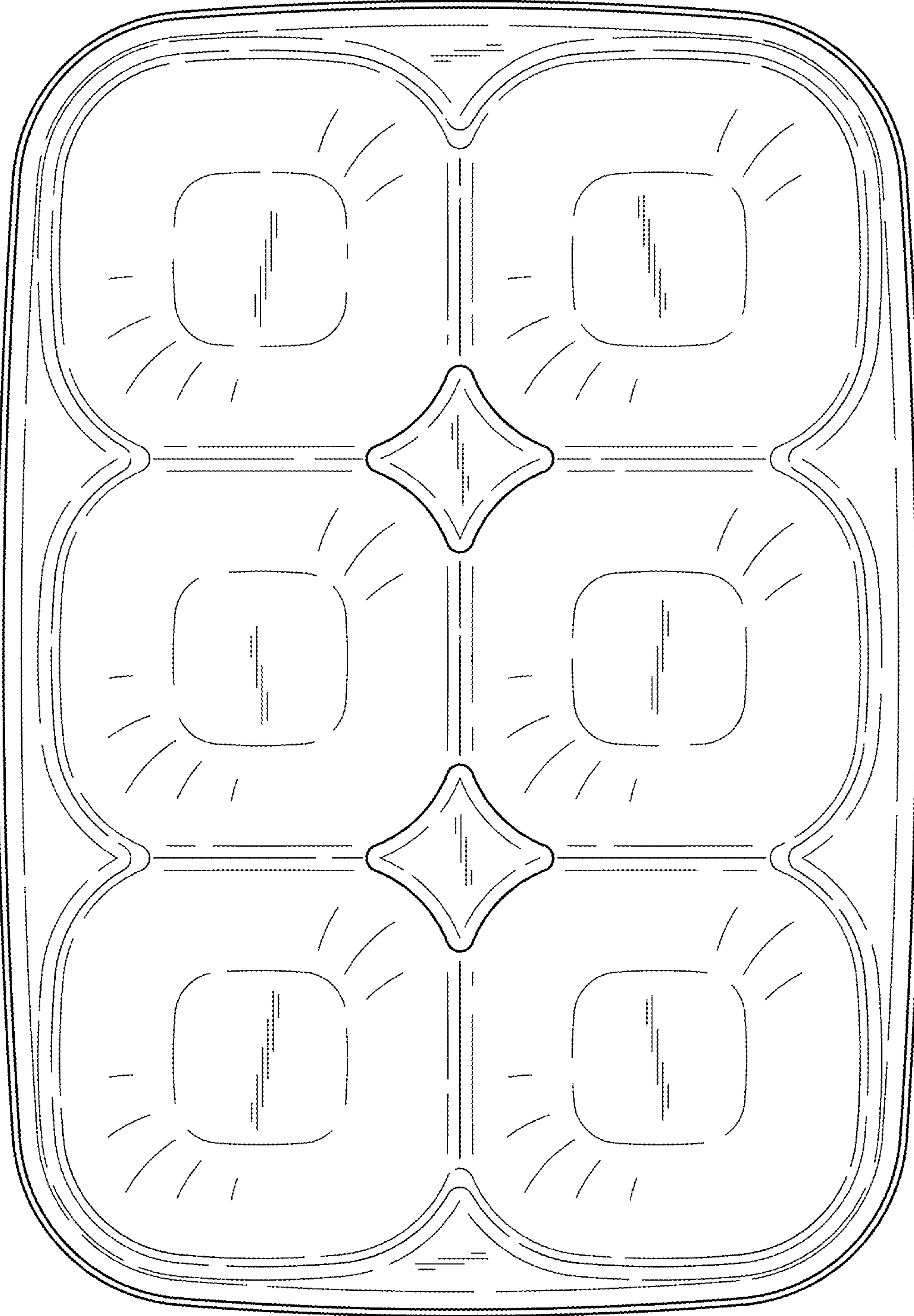


FIG. 8

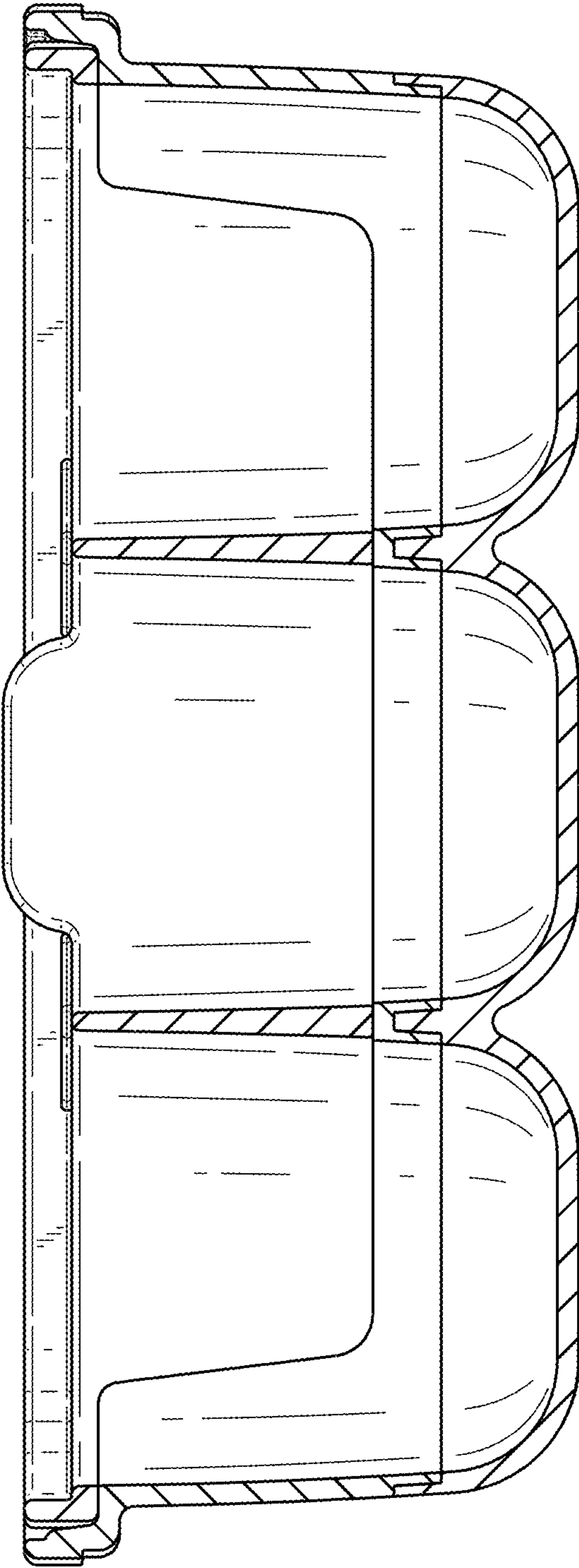


FIG. 9

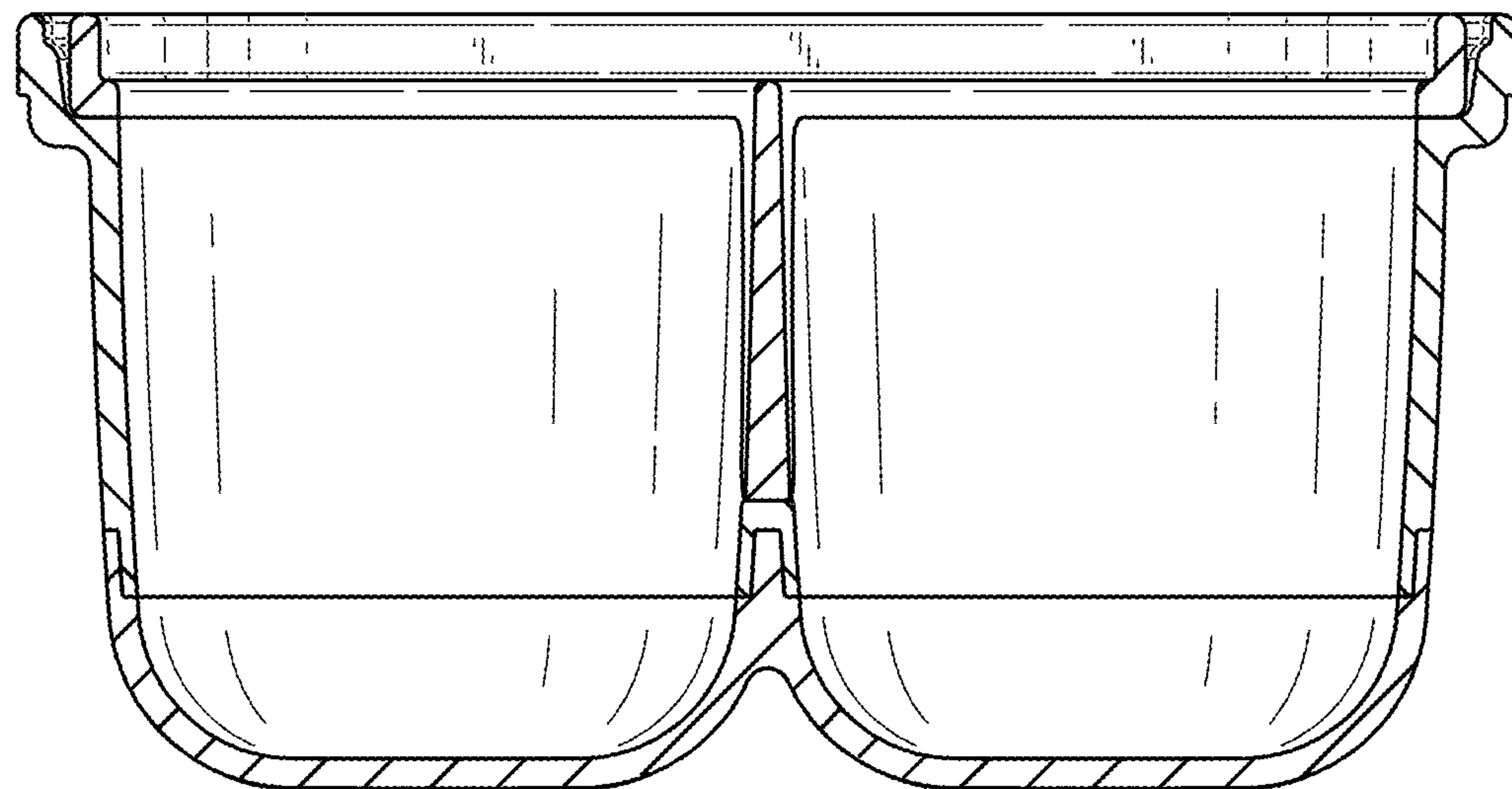


FIG. 10

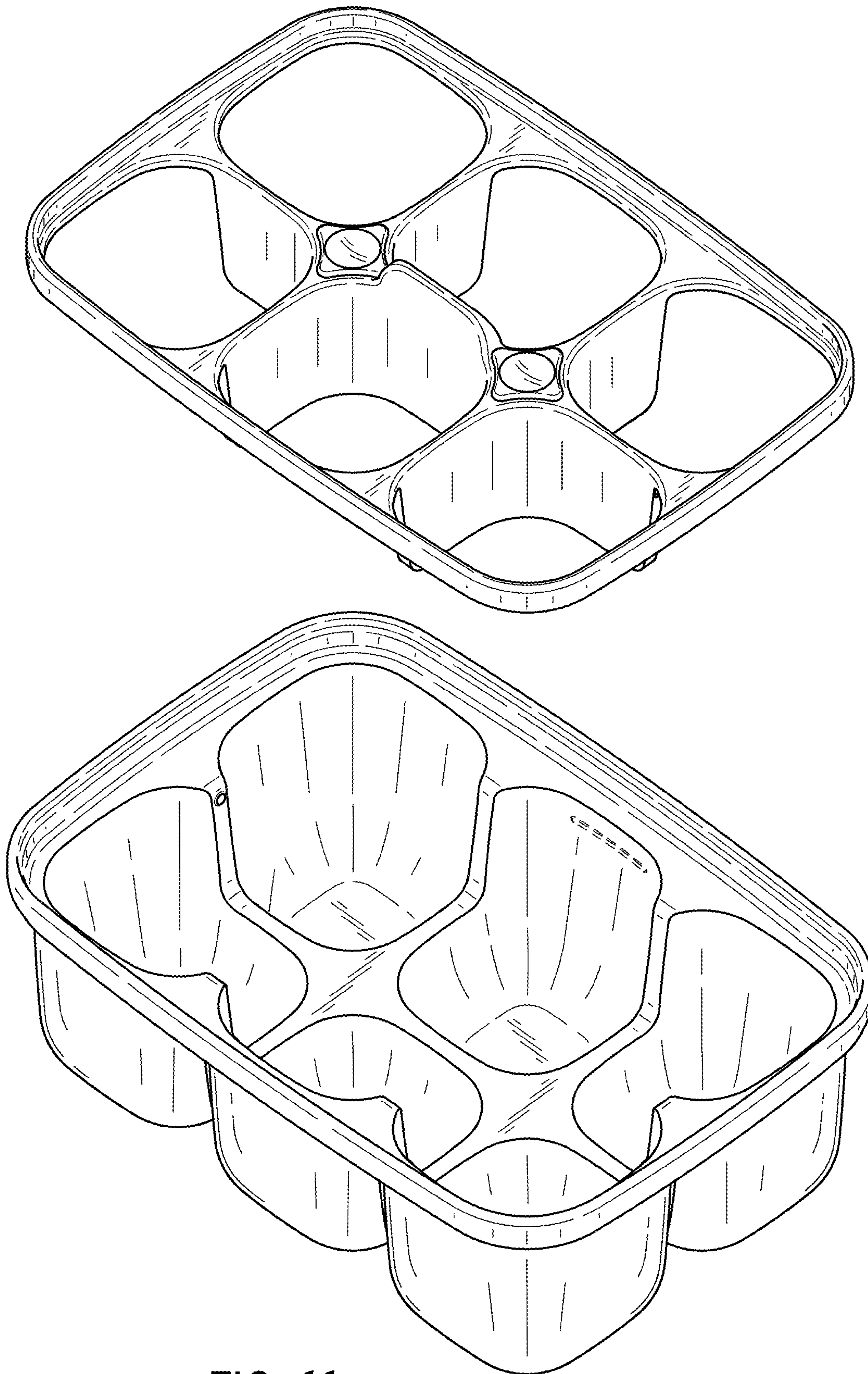


FIG. 11