



US00D906839S

(12) **United States Design Patent**
Sakai

(10) **Patent No.:** **US D906,839 S**

(45) **Date of Patent:** **** Jan. 5, 2021**

(54) **DISPENSER FOR TOY BEADS**

(71) Applicant: **EPOCH COMPANY LTD**, Tokyo (JP)

(72) Inventor: **Ryo Sakai**, Tokyo (JP)

(73) Assignee: **EPOCH COMPANY, LTD.**, Tokyo (JP)

(**) Term: **15 Years**

(21) Appl. No.: **29/689,472**

(22) Filed: **Apr. 30, 2019**

(30) **Foreign Application Priority Data**

Nov. 2, 2018 (JP) 2018-024148

(51) **LOC (13) Cl.** **09-01**

(52) **U.S. Cl.**

USPC **D9/730**; D21/468; D19/108

(58) **Field of Classification Search**

USPC D21/385, 398, 468, 469, 483, 487, 523, D21/532, 720, 721, 756, 759, 789, 793, D21/796, 798, 811; D9/715, 718, 730, D9/733, 414; D3/12, 13, 20-212, 254, D3/259, 274, 315, 318, 328; D19/101, D19/102, 105-108, 65-67, 75, 100; D6/512, 515; D10/114.9; D22/117; D27/139-161; 446/75, 85, 86, 118, 146, 446/475, 491; 434/96; 221/185, 239, 221/281, 294, 303

CPC B65D 83/04; B65D 83/0409; B65D 83/0427; B65D 83/0481; B65D 2583/04; B65D 2583/0445; B65D 2583/045; B65D 2583/0463; B65D 2583/0472-049; A63F 11/0002; A63F 11/0025; A63F 2250/06; A63F 2250/485; A63F 2250/50; A63H 33/00

See application file for complete search history.

(56) **References Cited**

U.S. PATENT DOCUMENTS

2,580,096 A * 12/1951 Holt B65D 83/0409
221/246

3,297,372 A * 1/1967 Brader A47F 1/08
312/45

(Continued)

FOREIGN PATENT DOCUMENTS

FR 1098150 A * 7/1955 B65D 83/0409

Primary Examiner — Catherine A Tuttle

(74) *Attorney, Agent, or Firm* — Fitzgerald IP Law; John K Fitzgerald, Esq.

(57) **CLAIM**

The ornamental design for a dispenser for toy beads, as shown and described.

DESCRIPTION

FIG. 1 is a perspective view seen from the front, top, and right sides of a dispenser for toy beads showing my new design;

FIG. 2 is a perspective view seen from the back, bottom, and left sides thereof;

FIG. 3 is a front view thereof;

FIG. 4 is a back view thereof;

FIG. 5 is a top plan view thereof;

FIG. 6 is a bottom view thereof;

FIG. 7 is a right side view thereof;

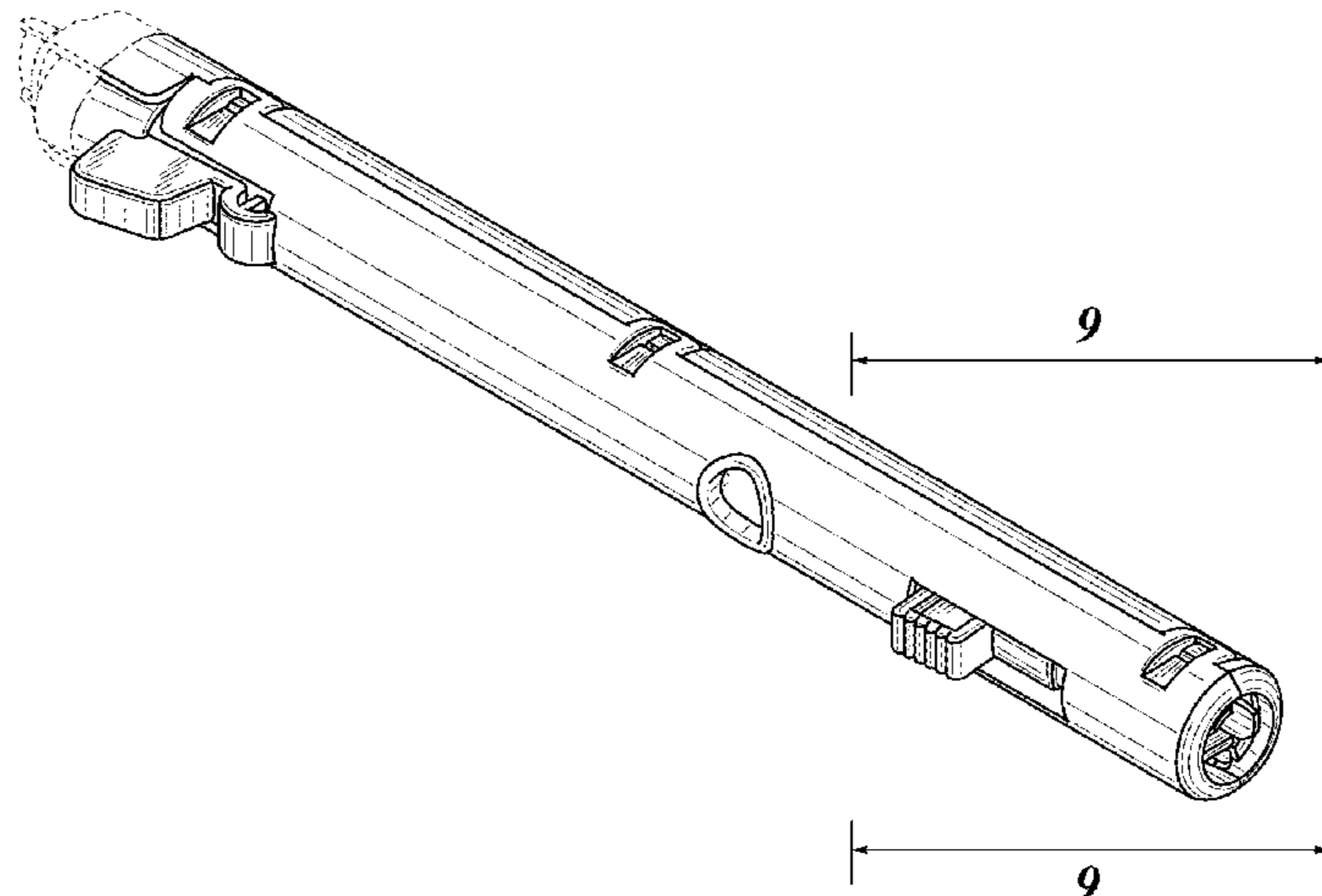
FIG. 8 is a left side view thereof;

FIG. 9 is an enlarged perspective view of the portion of FIG. 1 indicated by brackets 9; and,

FIG. 10 is a view similar to FIG. 9 but showing the elements housed within the right end in an extended position.

The dash-dot broken line defines the bounds of the claimed design and forms no part thereof. The dotted lines adjacent to the dash-dot boundary and visible in FIGS. 1-6 and 8 depict the features of the toy bead dispenser that form no part of the claimed design.

1 Claim, 10 Drawing Sheets



(56)

References Cited

U.S. PATENT DOCUMENTS

4,171,753 A * 10/1979 Vreede B65D 83/0418
206/536
4,415,098 A * 11/1983 Haas B65D 83/0409
221/202
4,540,375 A * 9/1985 Fogarty A63H 33/22
242/395
D301,202 S * 5/1989 Canet D19/118
D327,090 S * 6/1992 Kishita D19/66
5,253,784 A * 10/1993 Kossel A63F 11/0002
221/267
5,704,789 A * 1/1998 Yang B44C 3/123
221/185
D425,411 S * 5/2000 May D9/730
D433,707 S * 11/2000 Vanini D19/66
D442,658 S * 5/2001 Loerop D21/721
D547,051 S * 7/2007 Kirk, III D3/203.1
2013/0186909 A1 * 7/2013 Rapko B25B 9/00
221/260

* cited by examiner

FIG. 1

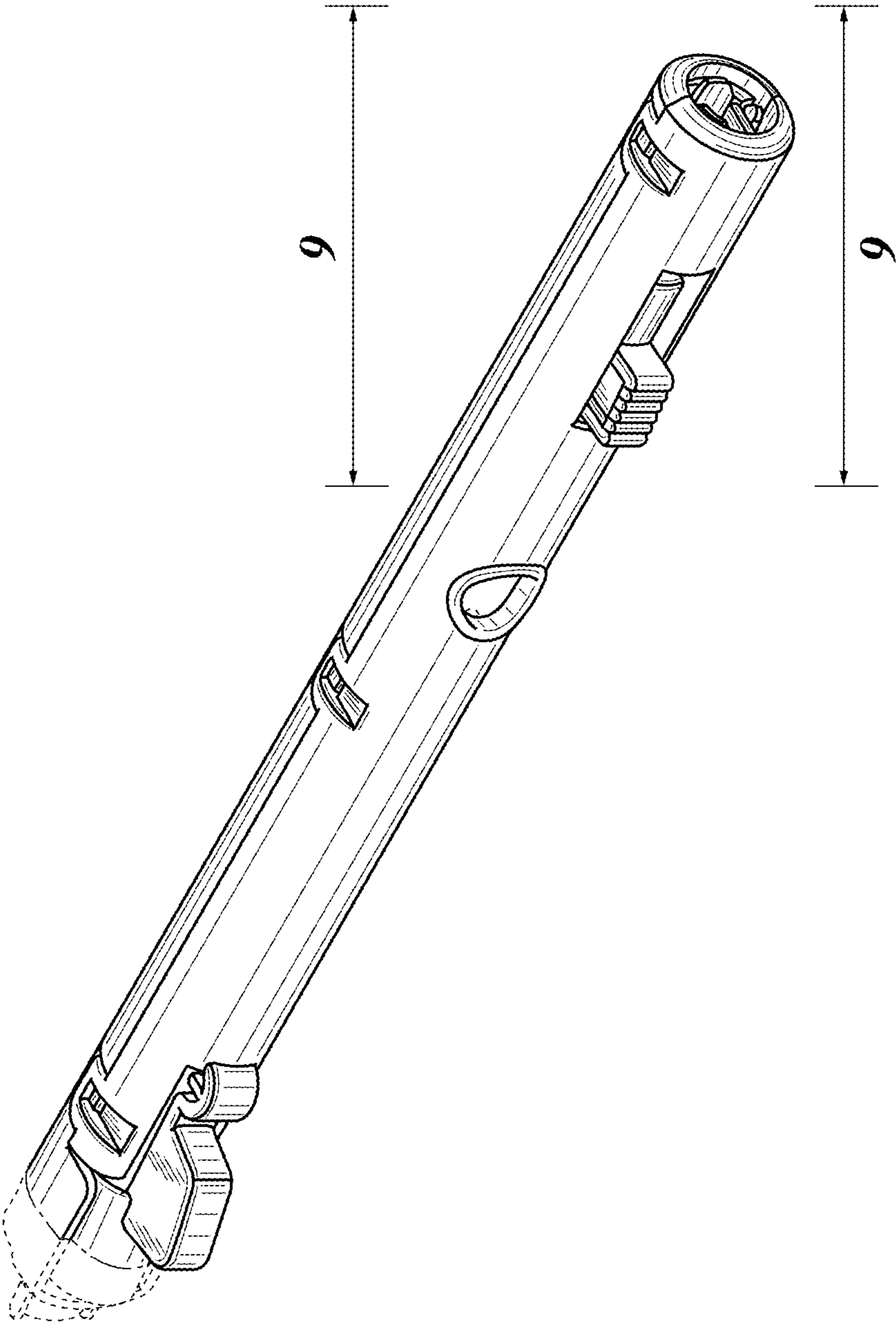


FIG. 2

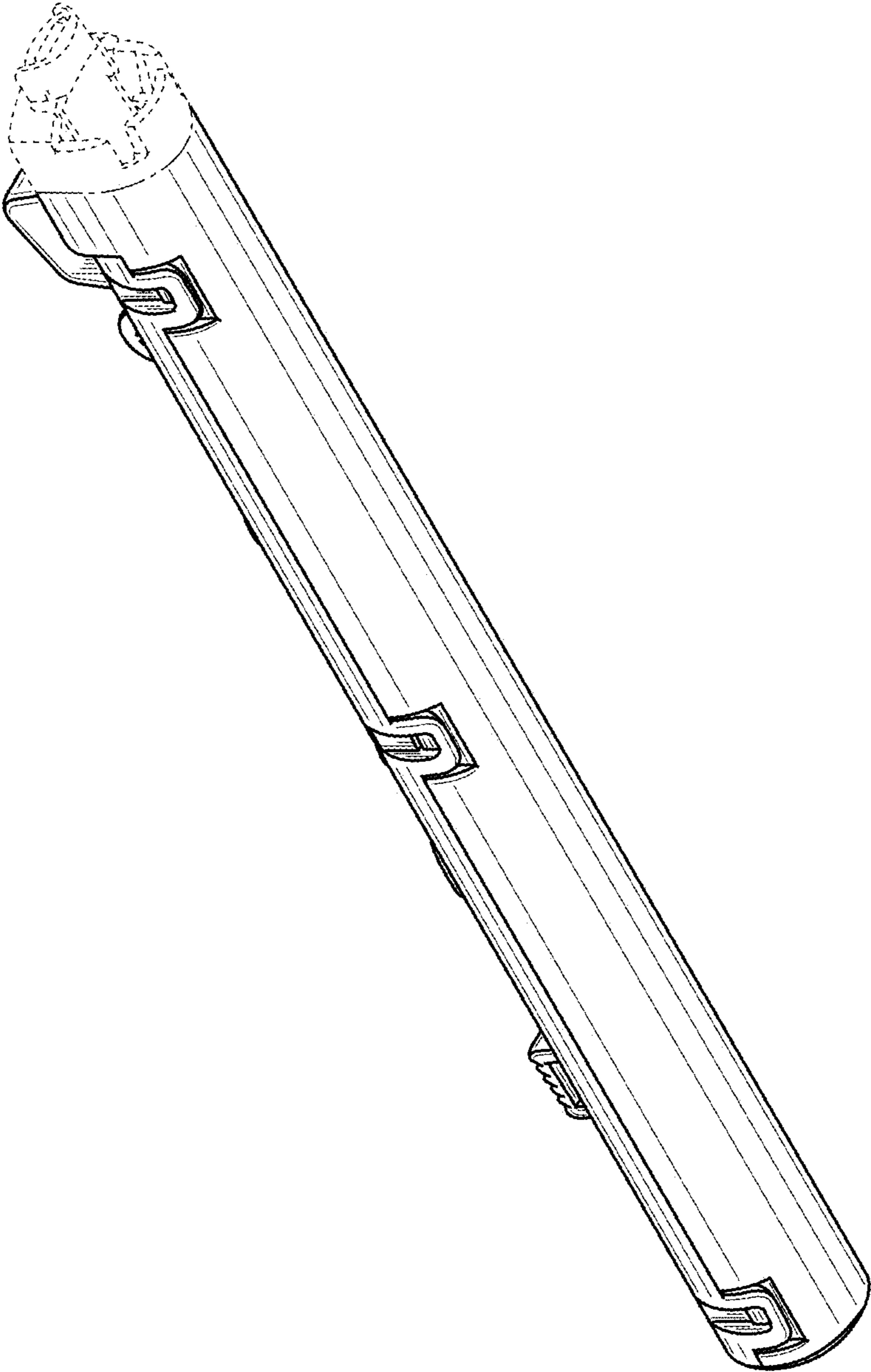


FIG. 3

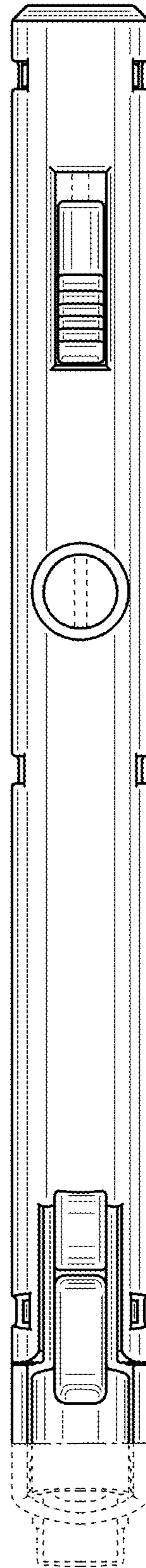


FIG. 4

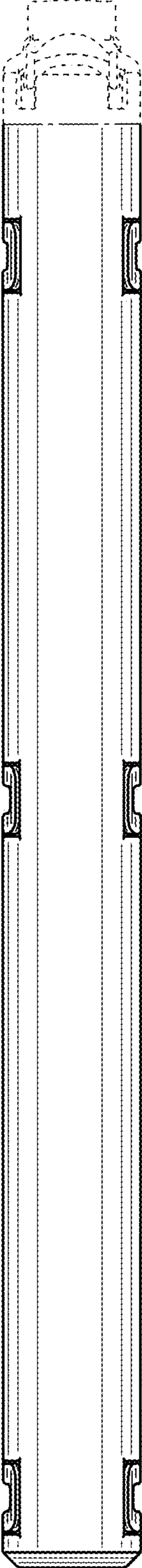


FIG. 5

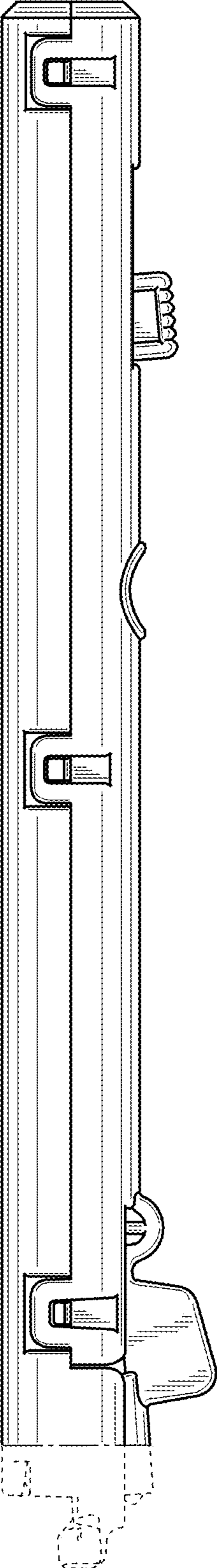


FIG. 6

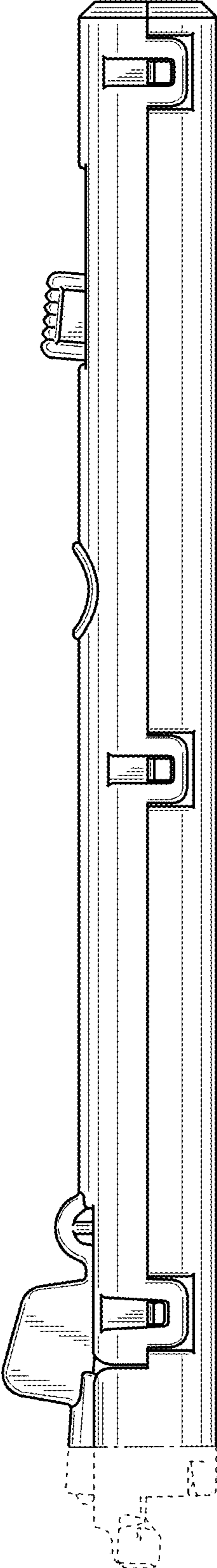


FIG. 7

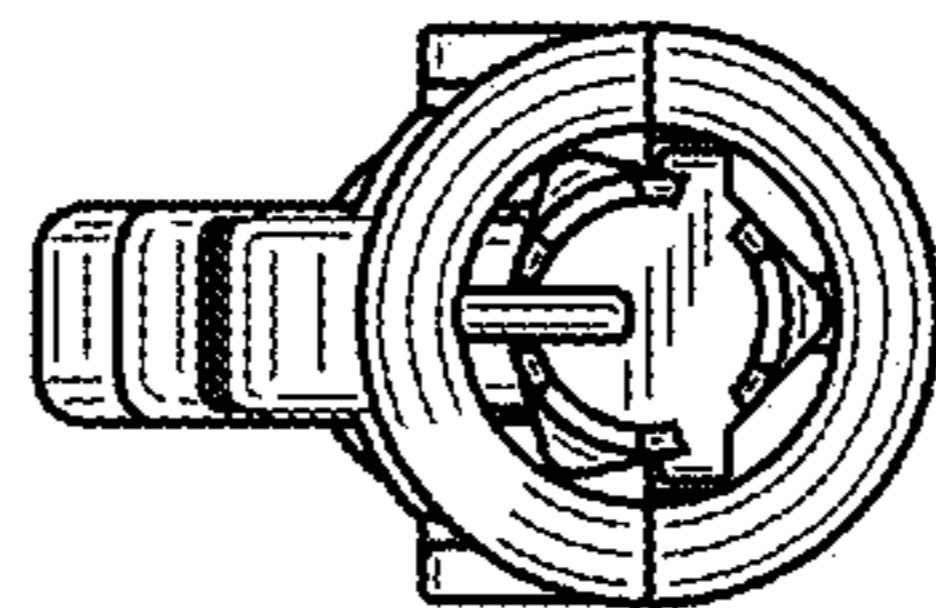


FIG. 8

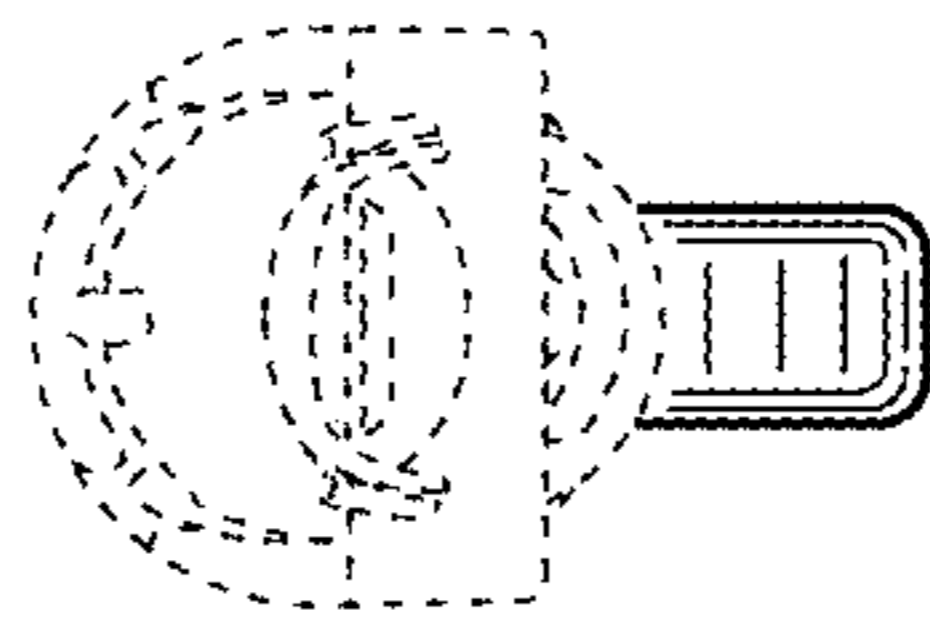


FIG. 9

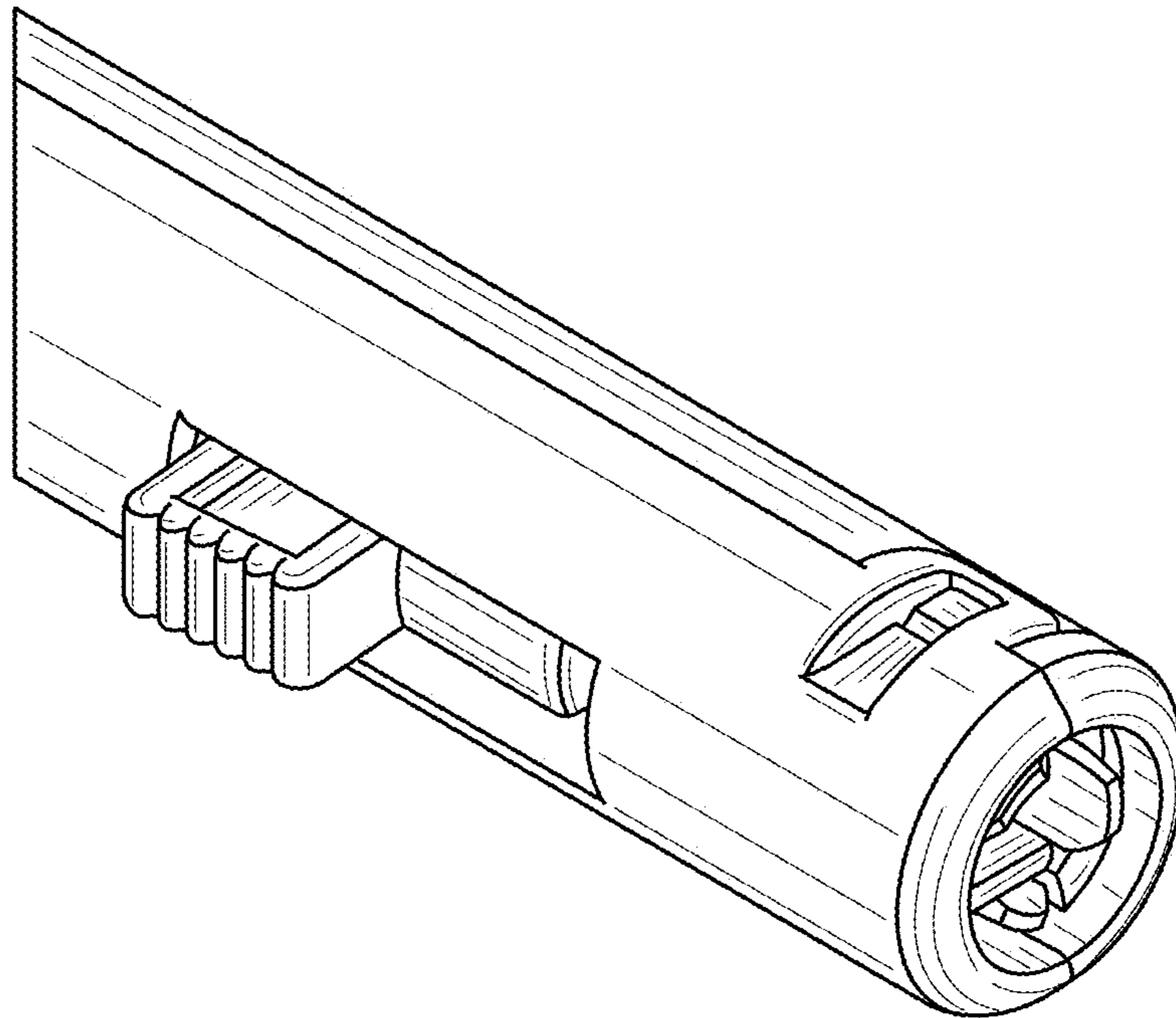


FIG. 10

