

US00D906838S

(12) **United States Design Patent**
Burmeister et al.

(10) **Patent No.:** **US D906,838 S**
(45) **Date of Patent:** **** Jan. 5, 2021**

- (54) **PACKAGING WITH CASE FOR ELECTRONIC DEVICE**
- (71) Applicant: **Apple Inc.**, Cupertino, CA (US)
- (72) Inventors: **Megan J. Burmeister**, Manhattan Beach, CA (US); **Vijay Karthik Koneru**, Los Angeles, CA (US); **Christopher Wiita**, West Hollywood, CA (US); **Duy P. Le**, Los Angeles, CA (US); **Hamish Thain**, New York, NY (US); **Bart Jansen**, Brooklyn, NY (US); **Michael Rodriguez**, Brooklyn, NY (US); **Christopher Kuh**, San Francisco, CA (US); **Guillaume Raoult**, San Francisco, CA (US); **Elvin Chu**, San Francisco, CA (US); **Martin Gschwandtl**, San Francisco, CA (US); **Robert Brunner**, Glen Ellen, CA (US)

6,400,247 B1 6/2002 King
 6,779,566 B2 8/2004 Engel
 7,506,758 B2 * 3/2009 Davis-Garrison A47C 7/68
 206/320
 D596,485 S 7/2009 Andre et al.
 D604,605 S * 11/2009 Chung D9/432
 D620,795 S 8/2010 Andre et al.
 7,878,326 B2 2/2011 Andre et al.
 D633,388 S 3/2011 Andre et al.
 D646,984 S * 10/2011 Moore D9/737

(Continued)

OTHER PUBLICATIONS

Amazon, "PowerPro Sport 5.0 Bluetooth Headphones . . . ", reportedly accessed Jun. 26, 2020, <https://www.amazon.com/PowerPro-Sport-Bluetooth-Headphones-Ear/dp/B07XZK1QY1>.

(Continued)

Primary Examiner — Lauren R Calve
(74) *Attorney, Agent, or Firm* — Sterne, Kessler, Goldstein & Fox P.L.L.C.

(73) Assignee: **Apple Inc.**, Cupertino, CA (US)

(**) Term: **15 Years**

(21) Appl. No.: **29/686,209**

(22) Filed: **Apr. 2, 2019**

(51) **LOC (13) Cl.** **09-01**

(52) **U.S. Cl.**
USPC **D9/721; D9/737**

(58) **Field of Classification Search**
USPC D9/414, 418, 419, 420, 422, 423, 424,
D9/425, 426, 432, 456, 715, 721, 737,
D9/751

CPC B65D 5/5213; B65D 75/36; B65D 81/113;
B65D 5/4204; B65D 75/58; B65D 65/38;
B65D 73/0035; B65D 2585/86

See application file for complete search history.

(56) **References Cited**

U.S. PATENT DOCUMENTS

D380,926 S 7/1997 Goodburn et al.
5,967,327 A 10/1999 Jones

(57) **CLAIM**

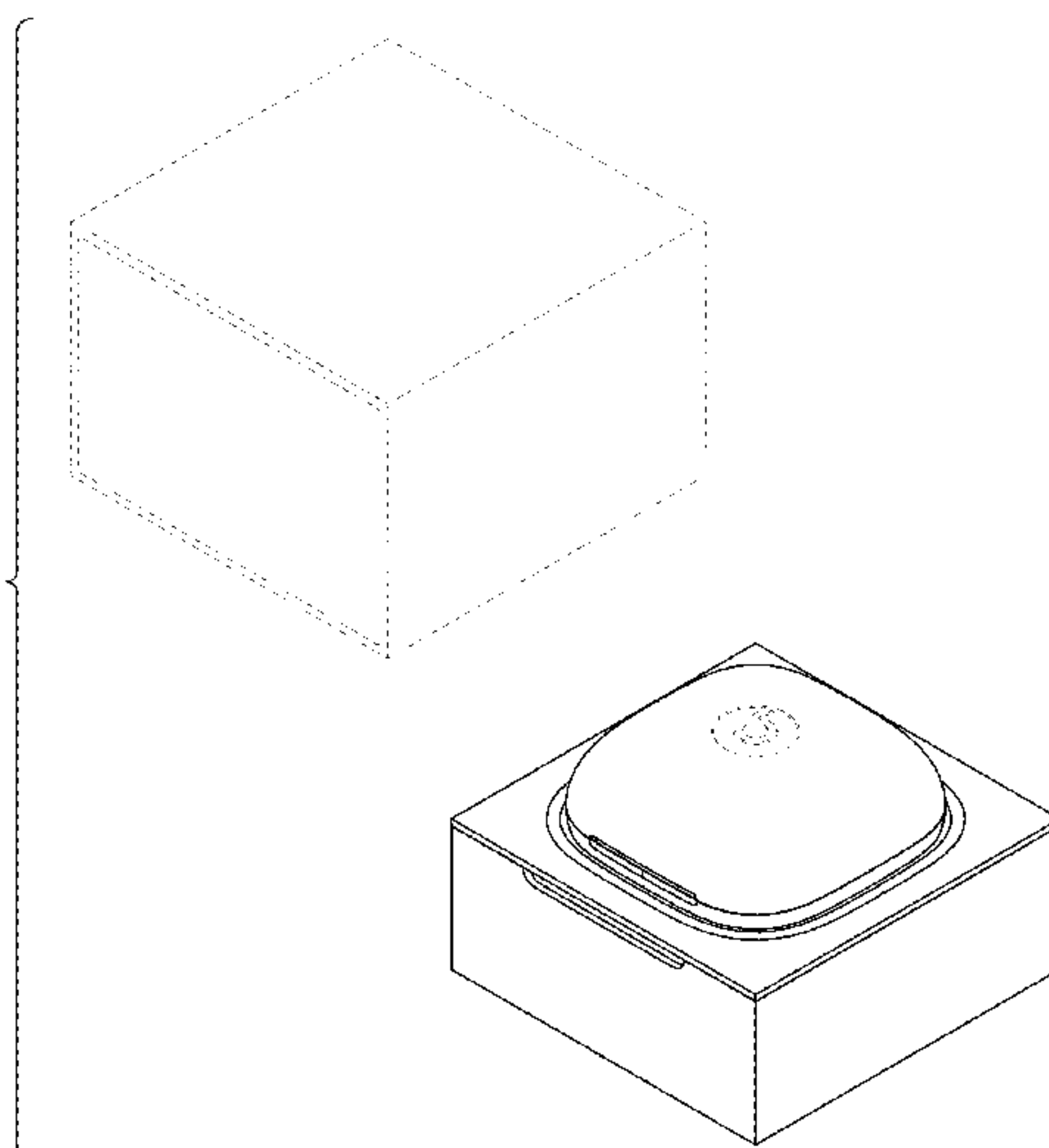
The ornamental design for packaging with case for electronic device, as shown and described.

DESCRIPTION

FIG. 1 is a top front perspective view of packaging with case for electronic device showing the claimed design;
FIG. 2 is a front view thereof;
FIG. 3 is a rear view thereof;
FIG. 4 is a left side view thereof;
FIG. 5 is a right side view thereof;
FIG. 6 is a top view thereof; and,
FIG. 7 is a bottom view thereof.

The broken lines in the figures show portions of the packaging with case for electronic device that form no part of the claimed design.

1 Claim, 6 Drawing Sheets



(56)

References Cited

U.S. PATENT DOCUMENTS

D649,450 S 11/2011 Andre et al.
 D658,492 S * 5/2012 Akana D9/424
 D668,949 S 10/2012 Hipperson et al.
 D677,563 S 3/2013 Andre et al.
 D699,370 S 2/2014 Motadel et al.
 D701,757 S 4/2014 Andre et al.
 D709,652 S 7/2014 Teller
 D712,279 S 9/2014 Akana et al.
 D712,748 S 9/2014 Akana et al.
 D713,738 S 9/2014 Akana et al.
 D713,739 S 9/2014 Akana et al.
 D730,581 S 5/2015 Hwang et al.
 D731,793 S 6/2015 Houghton et al.
 D738,721 S 9/2015 Song et al.
 D739,657 S 9/2015 Hsieh et al.
 D764,910 S 8/2016 Akana et al.
 D768,008 S 10/2016 Akana et al.
 9,561,878 B2 2/2017 Lee et al.
 D797,703 S 9/2017 Boyd et al.
 D798,146 S 9/2017 Goenka
 D799,316 S 10/2017 Thain et al.
 D802,414 S * 11/2017 Delle Cese D9/419
 D806,388 S 1/2018 Akana et al.
 D806,569 S 1/2018 Brunner et al.
 D818,268 S 5/2018 Akana et al.

D820,689 S 6/2018 Brunner et al.
 D826,152 S 8/2018 Christiansen
 D839,583 S 2/2019 Cao
 D840,218 S * 2/2019 Thain D9/415
 D846,264 S 4/2019 Wu
 D851,913 S 6/2019 Yu
 D860,810 S * 9/2019 Akana D9/721
 D864,713 S * 10/2019 Roberts D9/432
 D874,920 S * 2/2020 Lindsay D9/420
 2004/0004019 A1 1/2004 Busch
 2006/0037882 A1 2/2006 Appelbaum et al.
 2006/0266672 A1 11/2006 Young
 2011/0308993 A1 12/2011 Hill et al.
 2013/0114231 A1 * 5/2013 Cheng G06F 1/1656
 361/807
 2017/0060262 A1 3/2017 Hviid et al.
 2018/0178965 A1 * 6/2018 Tsai B65D 5/5213

OTHER PUBLICATIONS

Amazon, "TWS Wireless Earbuds, Sport Bluetooth 5.0 Headphones with Charging Case for iPhone . . . ", reportedly accessed Jun. 26, 2020, <https://www.amazon.com/dp/B06XCNRR3X/>.
 Design Inspiration, "Muji—Portable Aroma Diffuser", dated May 12, 2018, <https://www.design-inspiration.net/inspiration/muji-portable-aroma-diffuser/>.

* cited by examiner

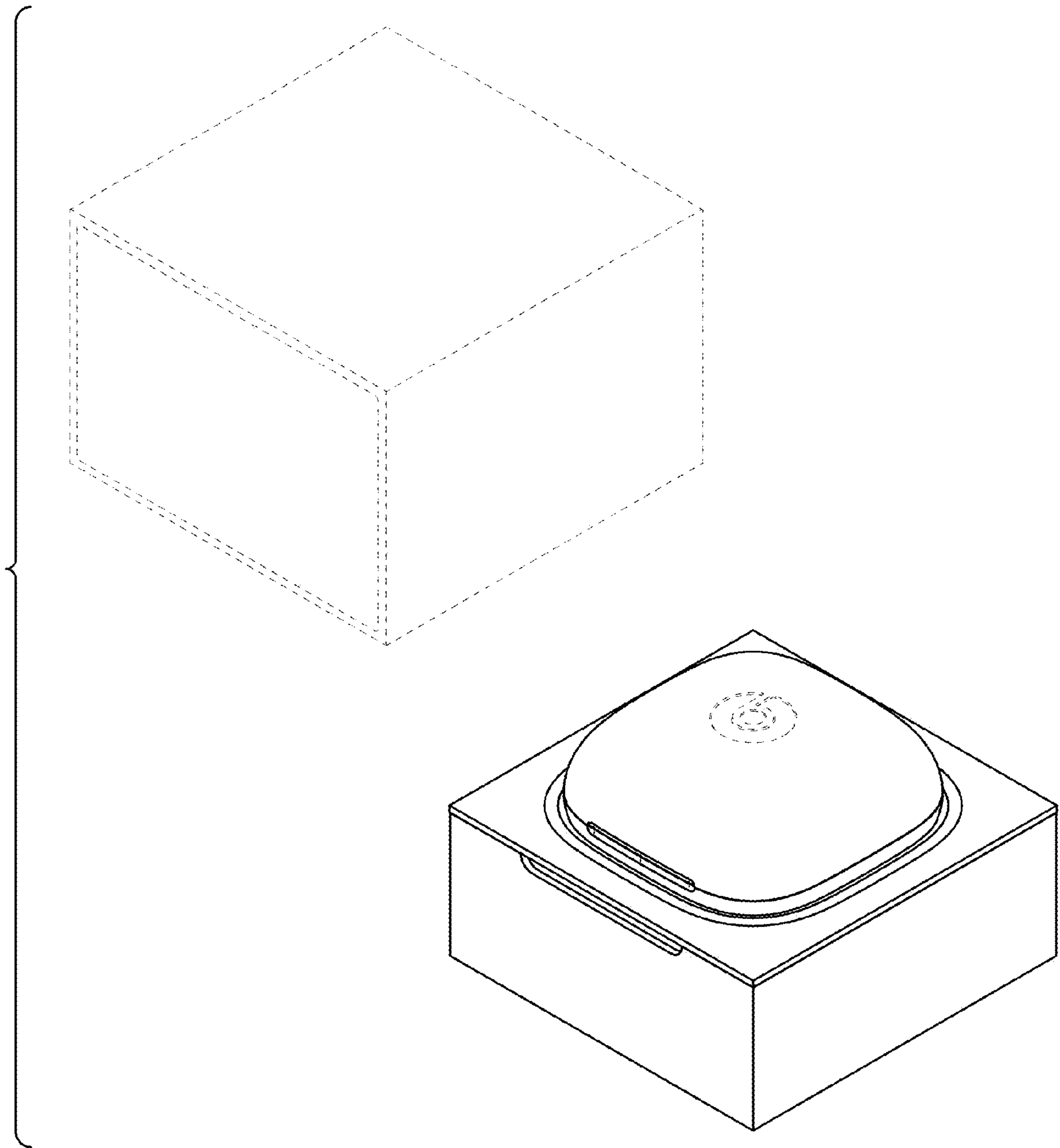


FIG. 1

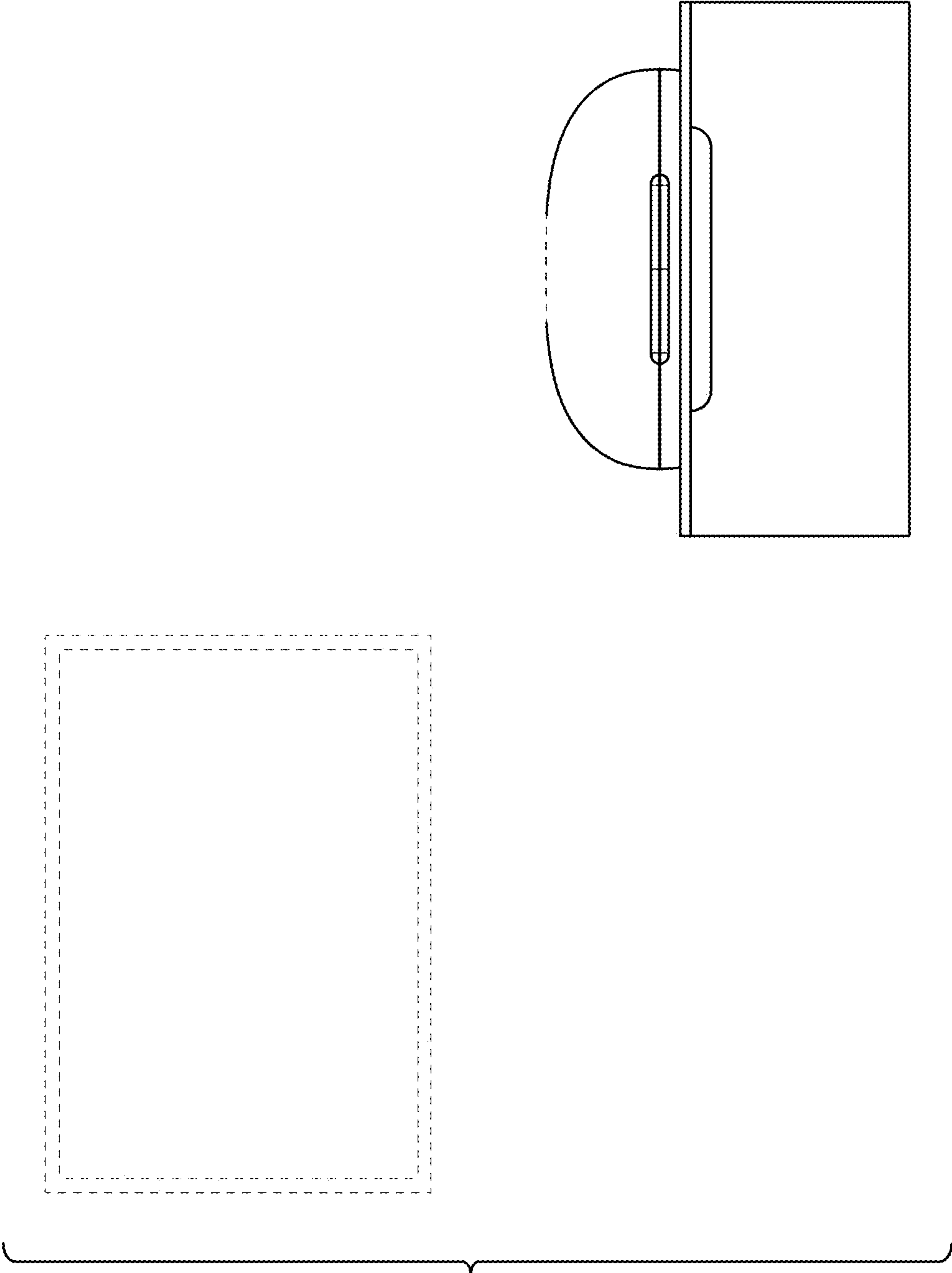


FIG. 2

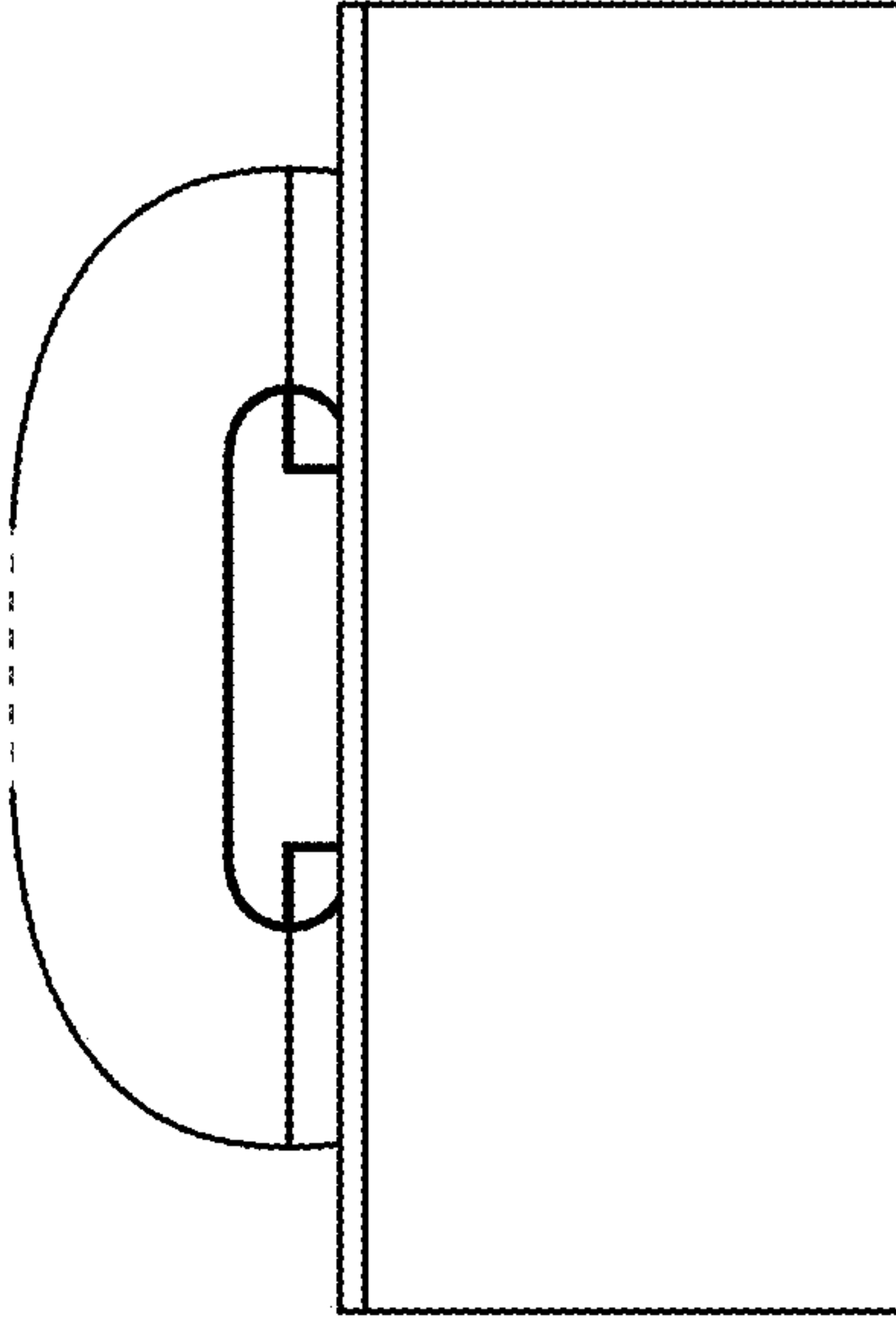
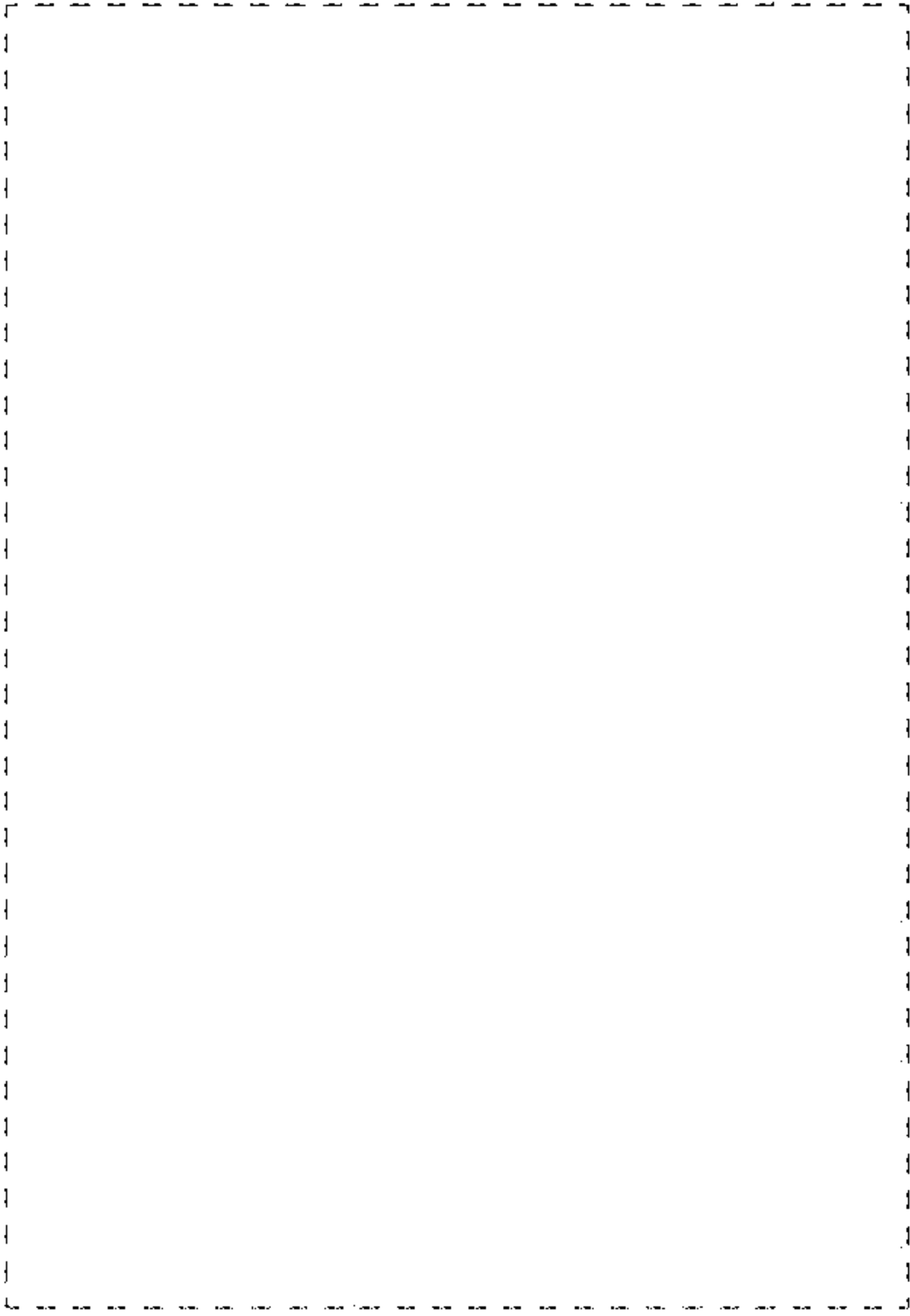


FIG. 3

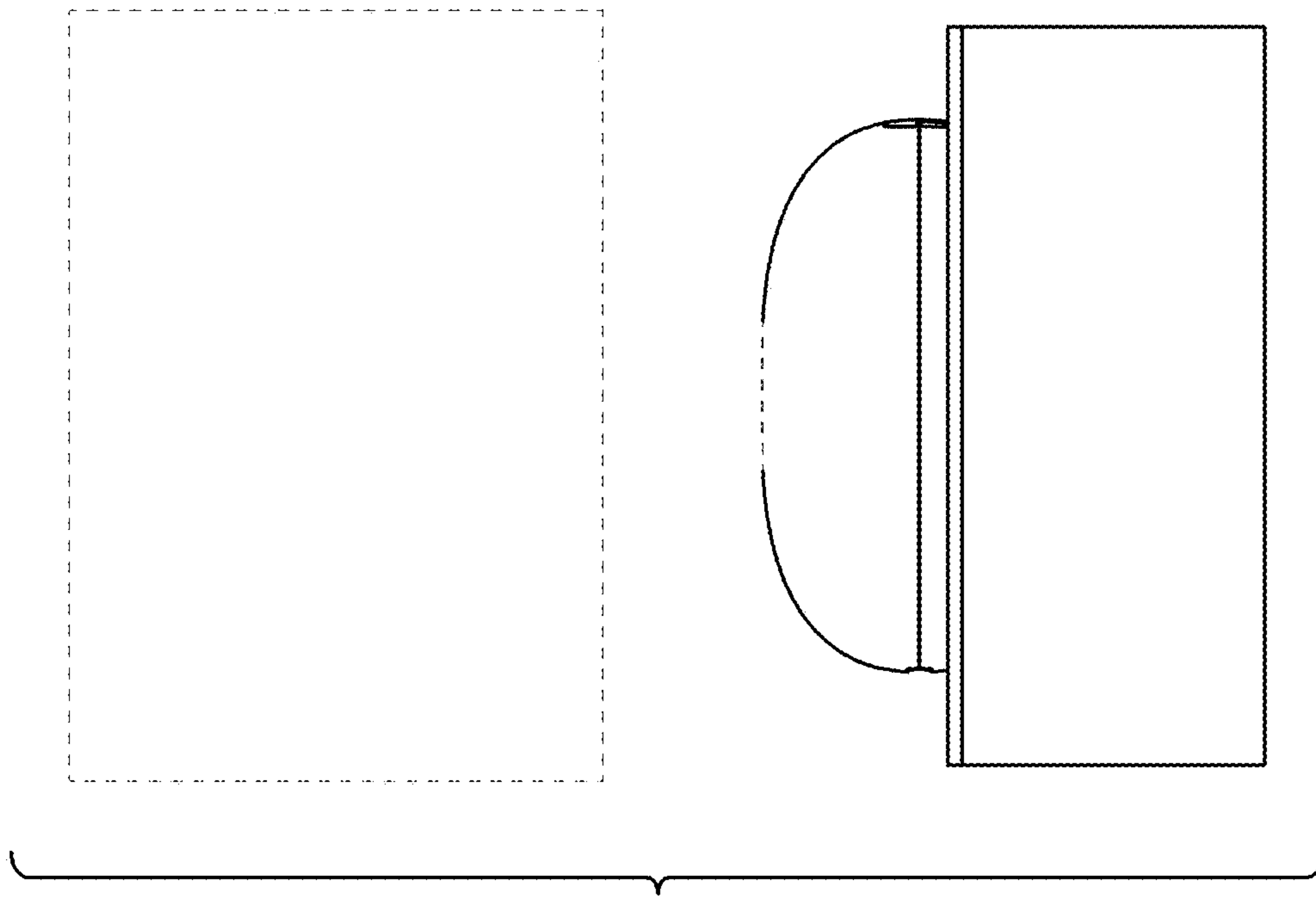


FIG. 5

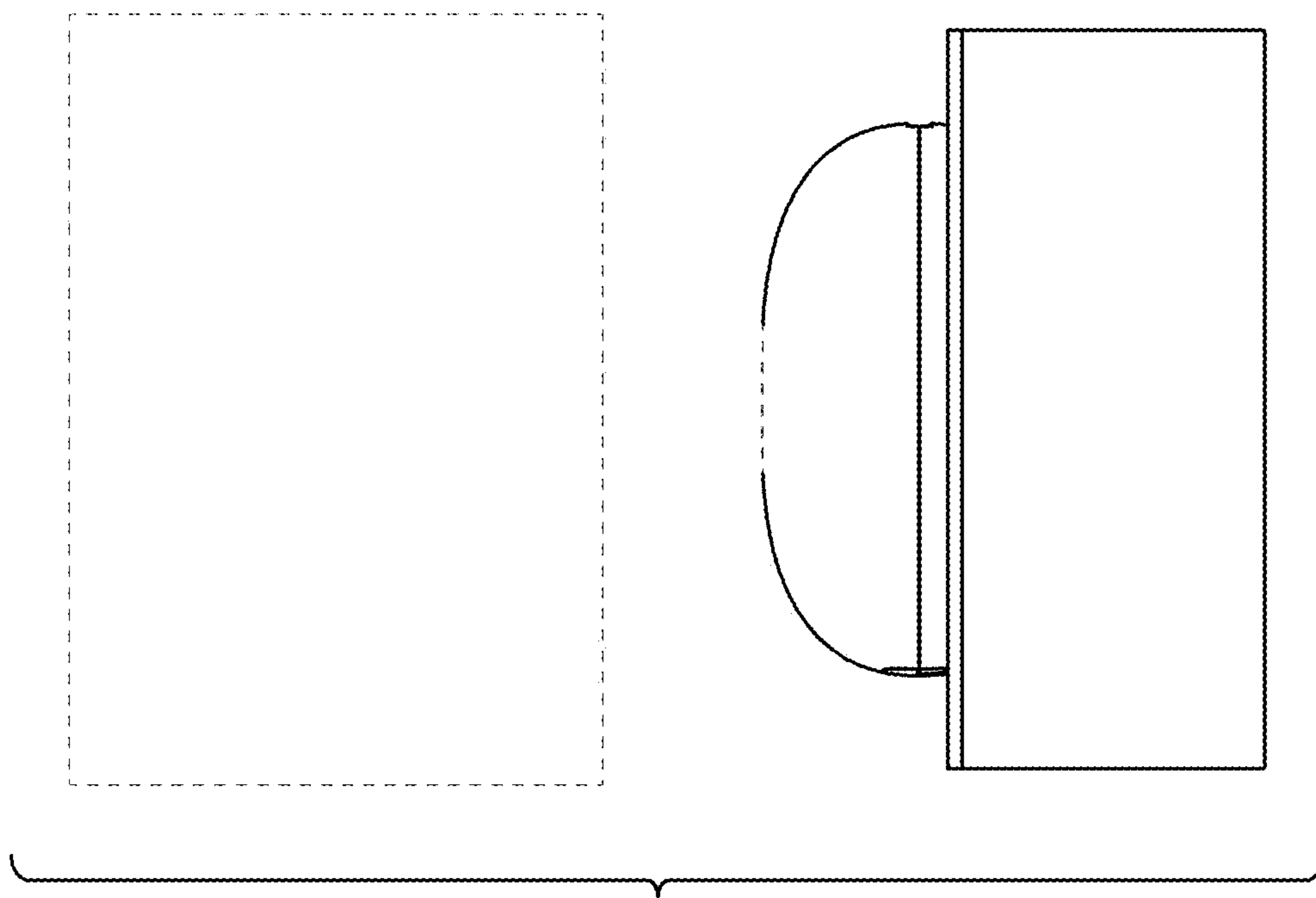


FIG. 4

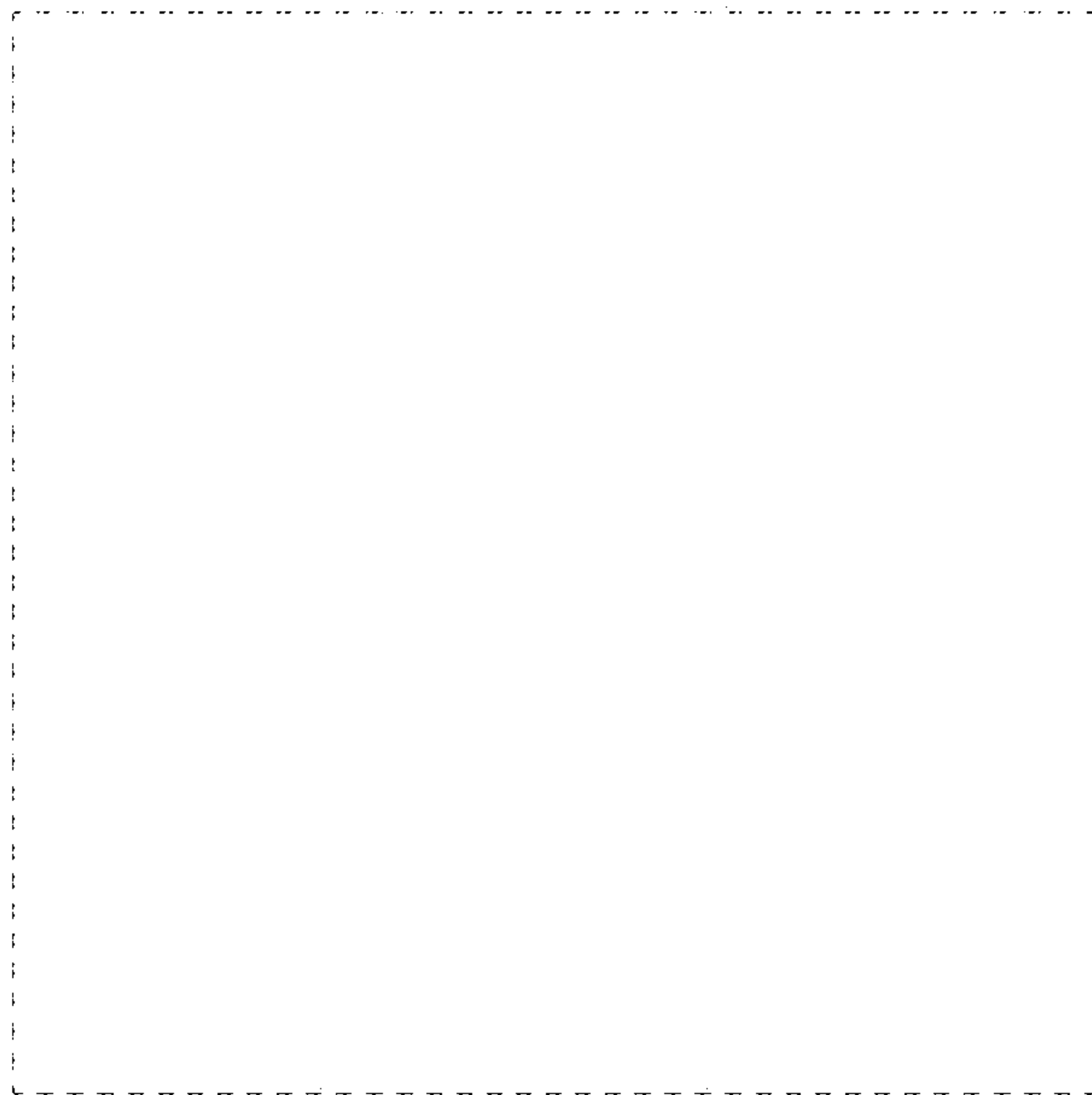
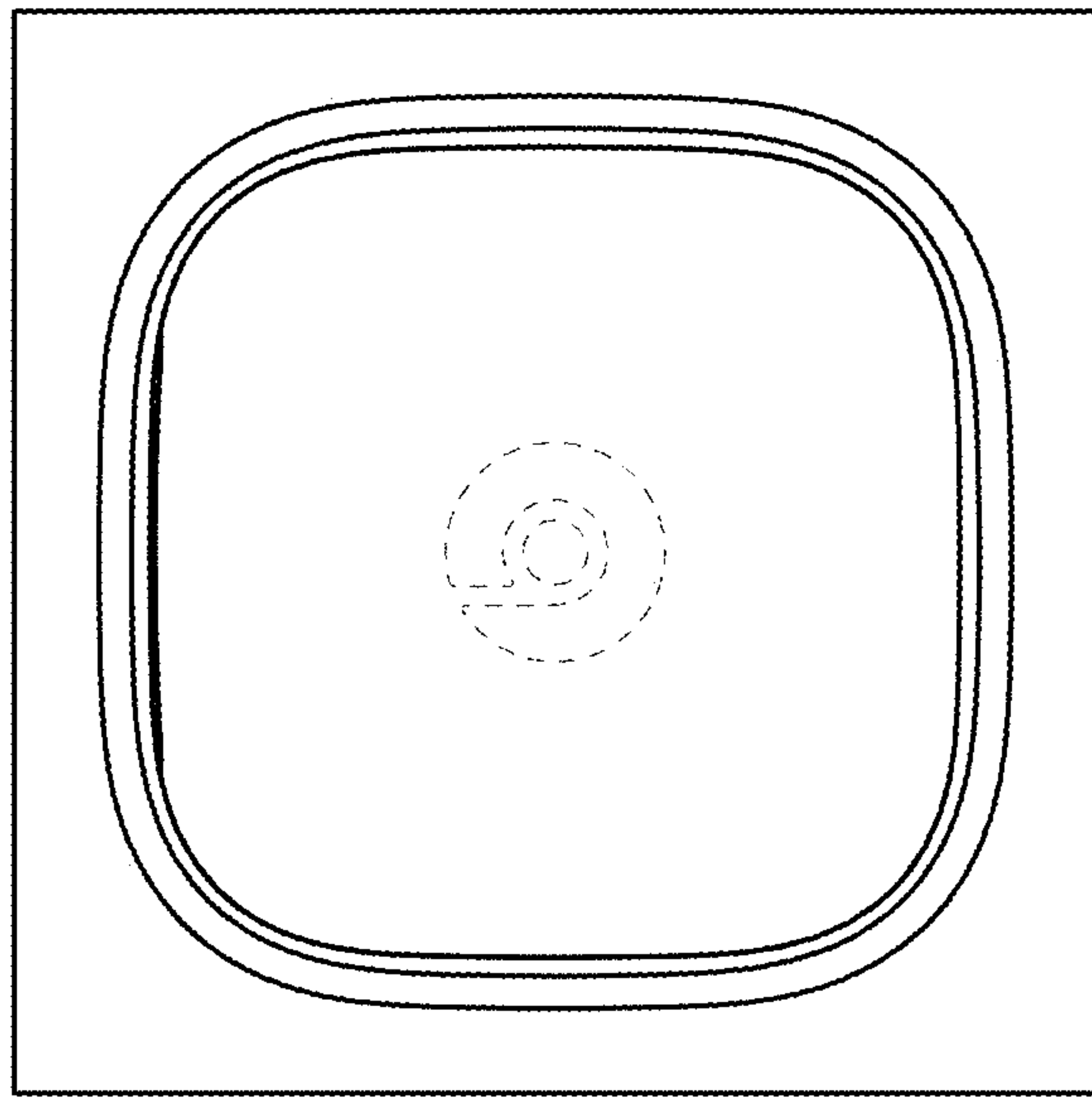


FIG. 6

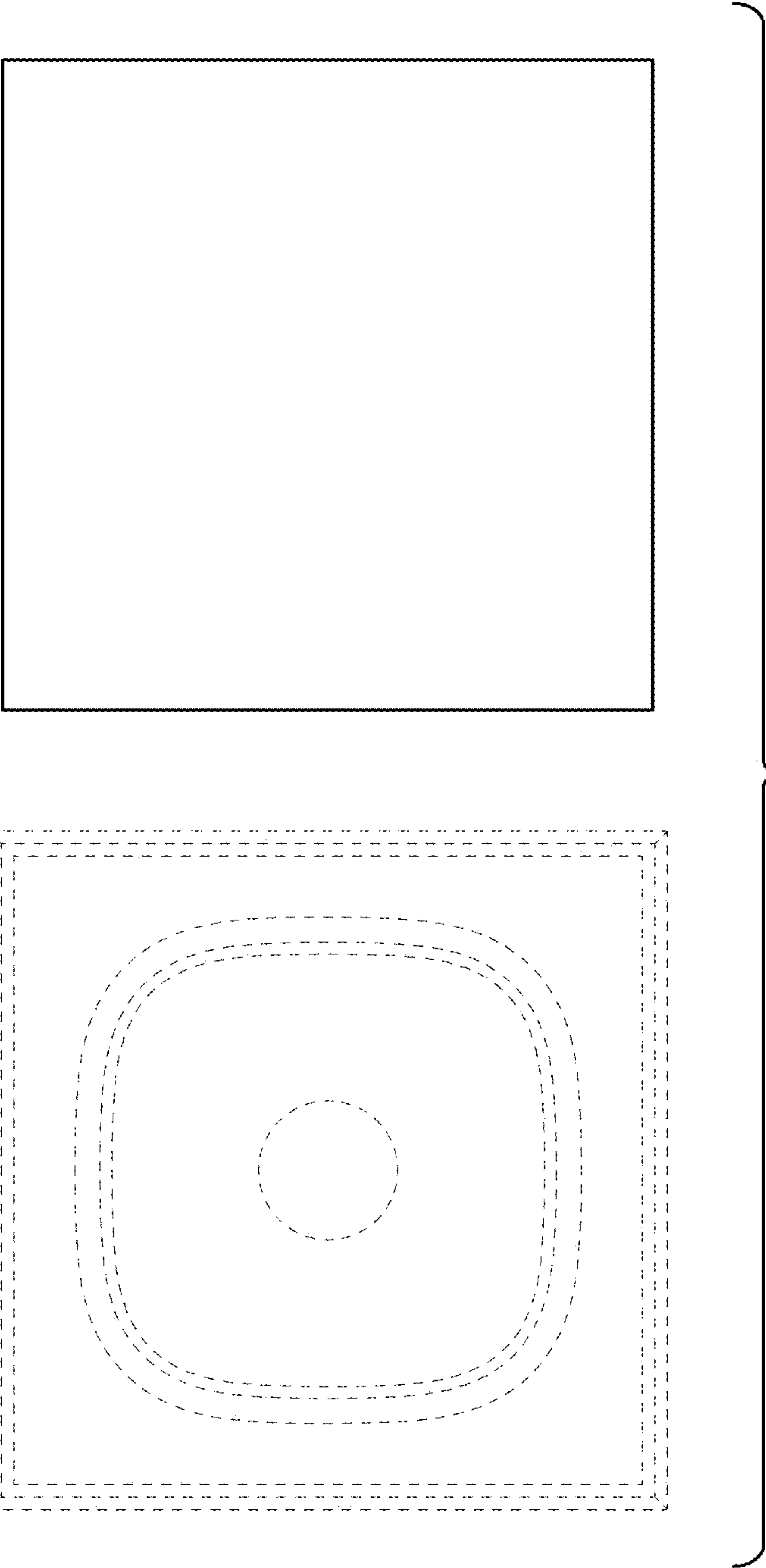


FIG. 7